



US00D515410S

(12) **United States Design Patent**
Tracy

(10) **Patent No.:** **US D515,410 S**

(45) **Date of Patent:** **** Feb. 21, 2006**

(54) **ARTICLE CLIP**

(76) **Inventor:** **Blumes J. Tracy**, 11684 Ventura Blvd.,
#399, Studio City, CA (US) 91604

(**) **Term:** **14 Years**

(21) **Appl. No.:** **29/191,876**

(22) **Filed:** **Oct. 14, 2003**

(51) **LOC (8) Cl.** **08-08**

(52) **U.S. Cl.** **D8/395; D8/499**

(58) **Field of Classification Search** D8/356,
D8/371, 394-396, 53, 499, 328, 331, 100;
D3/207, 215; D10/89; D30/153; 43/43.1;
248/74.2, 300, 301, 316.7, 229.26

See application file for complete search history.

(56) **References Cited**

U.S. PATENT DOCUMENTS

5,261,257 A * 11/1993 Collier 70/456 R
D385,415 S * 10/1997 Turbide D3/207

D435,721 S * 1/2001 Lukach D3/215
D453,696 S * 2/2002 Thadani D10/89
D489,888 S * 5/2004 Opolka D3/207

* cited by examiner

Primary Examiner—Louis S. Zarfes

Assistant Examiner—John Windmuller

(74) *Attorney, Agent, or Firm*—Cislo & Thomas LLP

(57) **CLAIM**

I claim the ornamental design for an article clip, as shown and described herein.

DESCRIPTION

FIG. 1 is a front elevational view of an article clip showing my new design;

FIG. 2. Is a rear elevational view thereof;

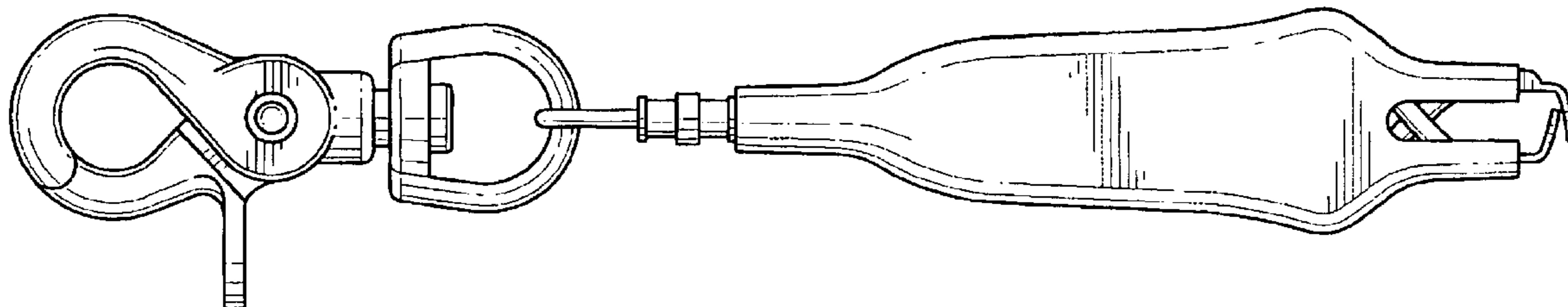
FIG. 3. Is a top plan view thereof;

FIG. 4. Is a bottom plan view thereof;

FIG. 5. Is a right side elevational view thereof; and,

FIG. 6. Is a left side elevational view thereof.

1 Claim, 2 Drawing Sheets



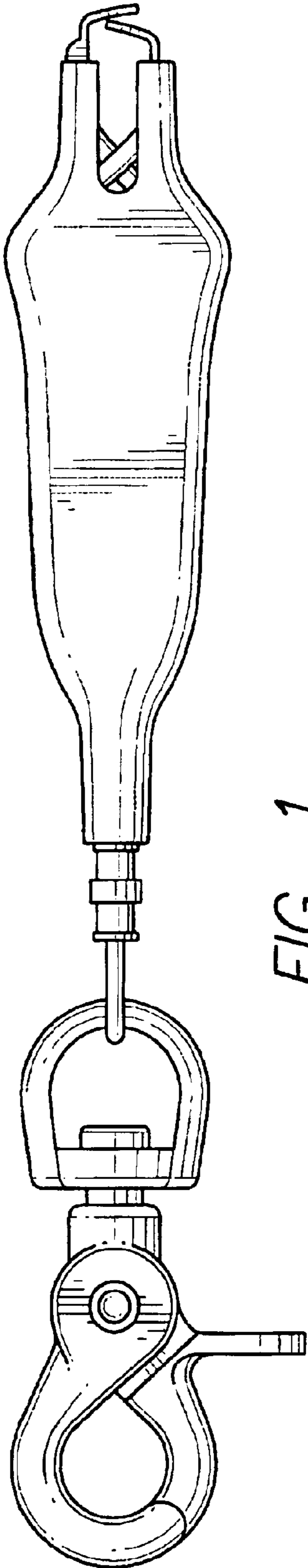


FIG. 1

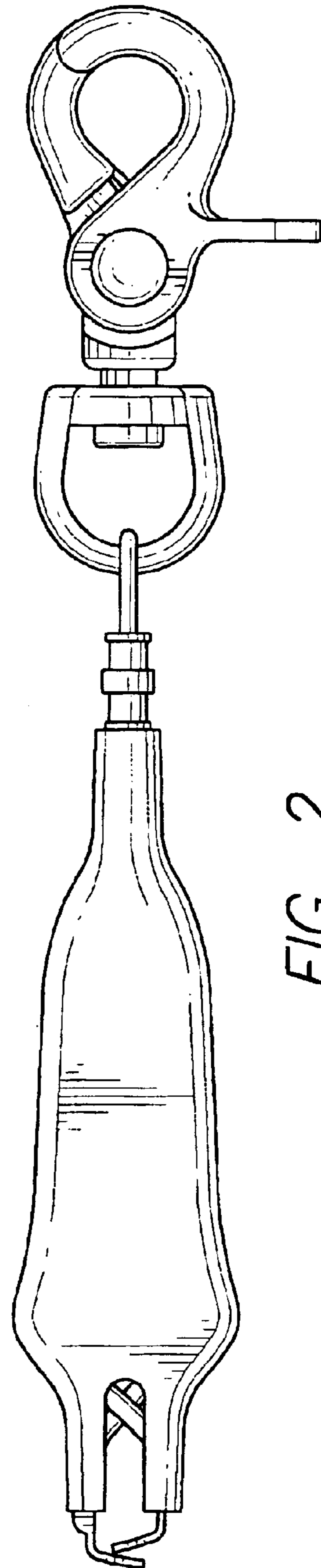


FIG. 2

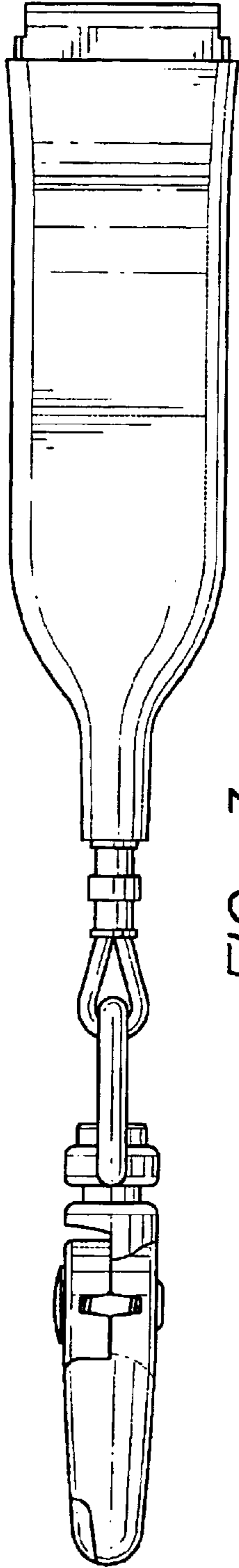


FIG. 3

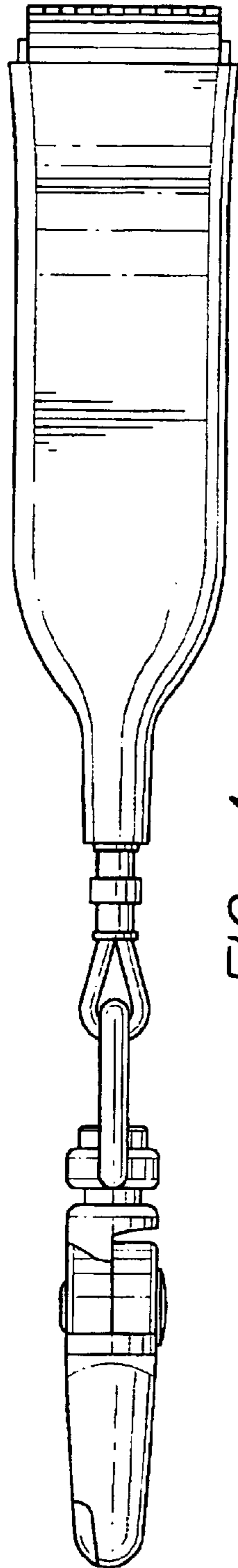


FIG. 4

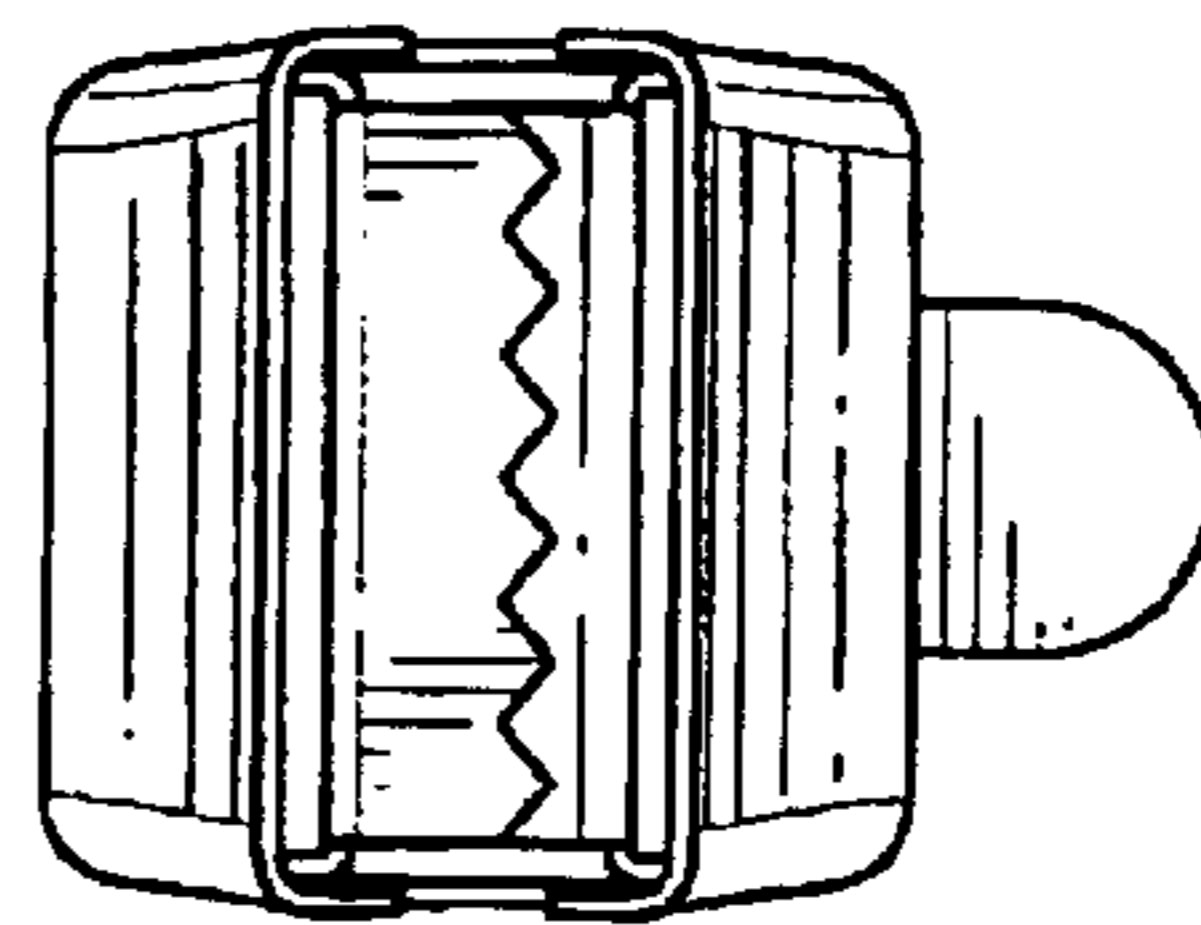


FIG. 5

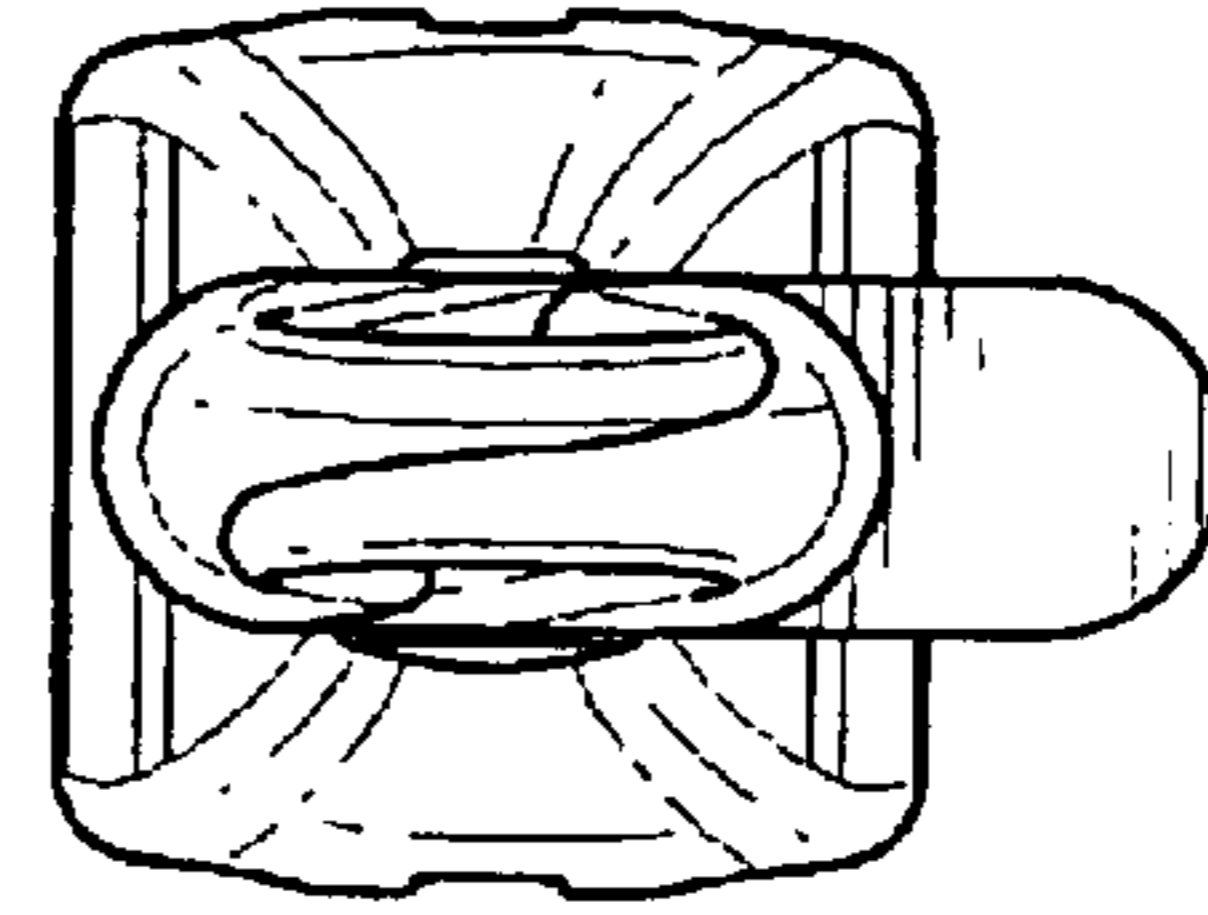


FIG. 6