



US00D515409S

(12) **United States Design Patent**
Sorrentino et al.

(10) **Patent No.:** **US D515,409 S**
(45) **Date of Patent:** **** Feb. 21, 2006**

(54) **CABLE LOCKING CLIP**

(75) Inventors: **Gregory Sorrentino**, Brewster, NY (US); **Matthew Evans**, Monroe, NY (US)

(73) Assignee: **Pelco**, Clovis, CA (US)

(**) Term: **14 Years**

(21) Appl. No.: **29/177,648**

(22) Filed: **Mar. 12, 2003**

(51) **LOC (8) Cl.** **08-08**

(52) **U.S. Cl.** **D8/395**

(58) **Field of Classification Search** D8/394, D8/356, 72; 24/132 R, 132 AA, 122.6; 248/74.1-74.3
See application file for complete search history.

(56) **References Cited**

U.S. PATENT DOCUMENTS

3,376,612 A *	4/1968	Munse	411/523
D355,097 S *	2/1995	Ostensen	D8/395
5,946,785 A *	9/1999	Muhlebach et al.	269/249
6,378,814 B1 *	4/2002	Kaplan	248/71
6,708,932 B1 *	3/2004	Gazdik	248/74.1

* cited by examiner

Primary Examiner—Louis S. Zarfes

Assistant Examiner—Gregory Andoll

(74) *Attorney, Agent, or Firm*—Gunster, Yoakley & Stewart, P.A.

(57) **CLAIM**

We claim the ornamental design for a cable locking clip, as shown.

DESCRIPTION

FIG. 1 is a upper perspective view of the cable locking clip showing our new design attached to a connector that is shown in phantom lines;

FIG. 2 is a lower perspective view thereof;

FIG. 3 is a top plan view thereof;

FIG. 4 is a bottom plan view thereof;

FIG. 5 is a right side elevational view thereof;

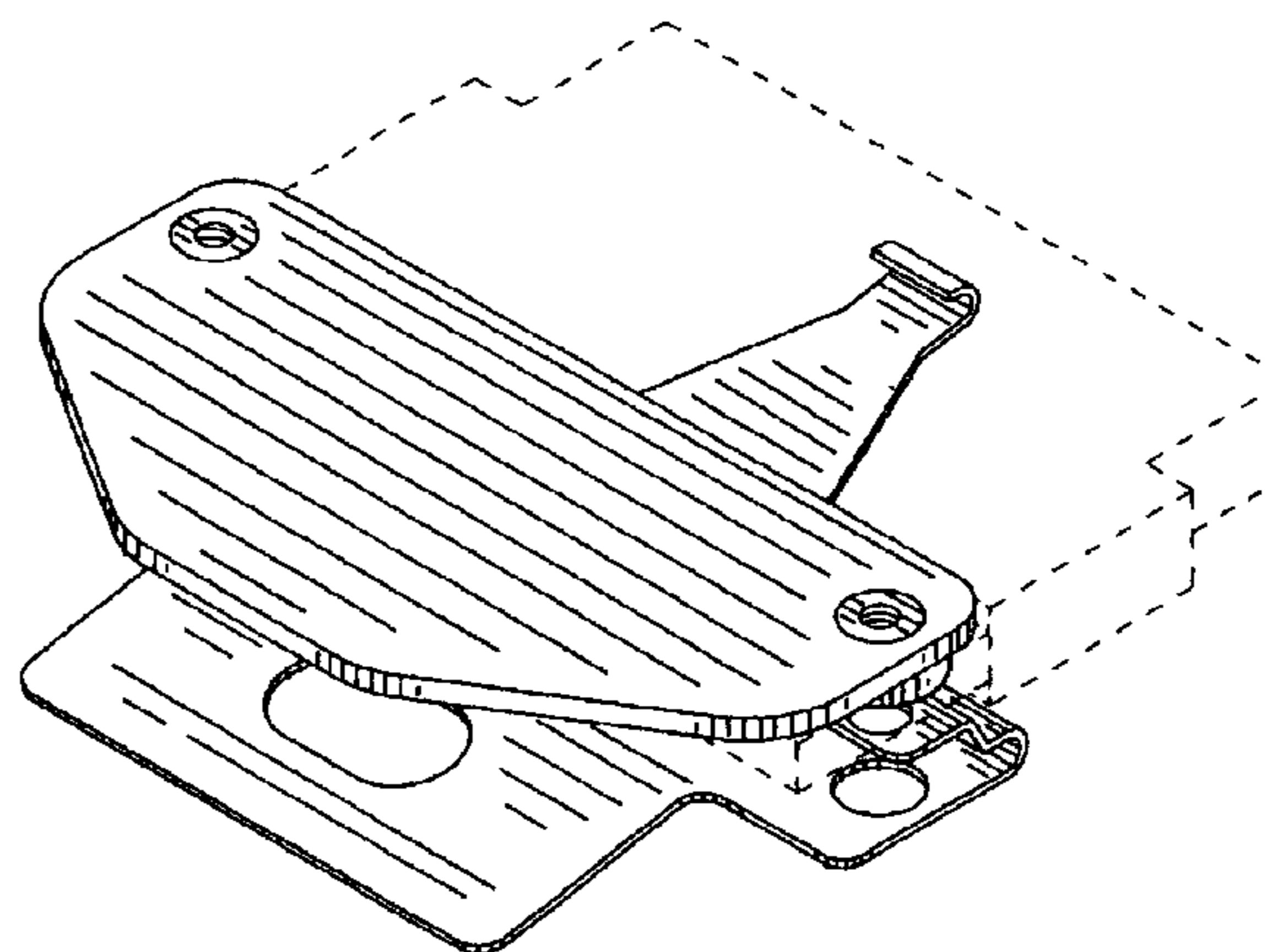
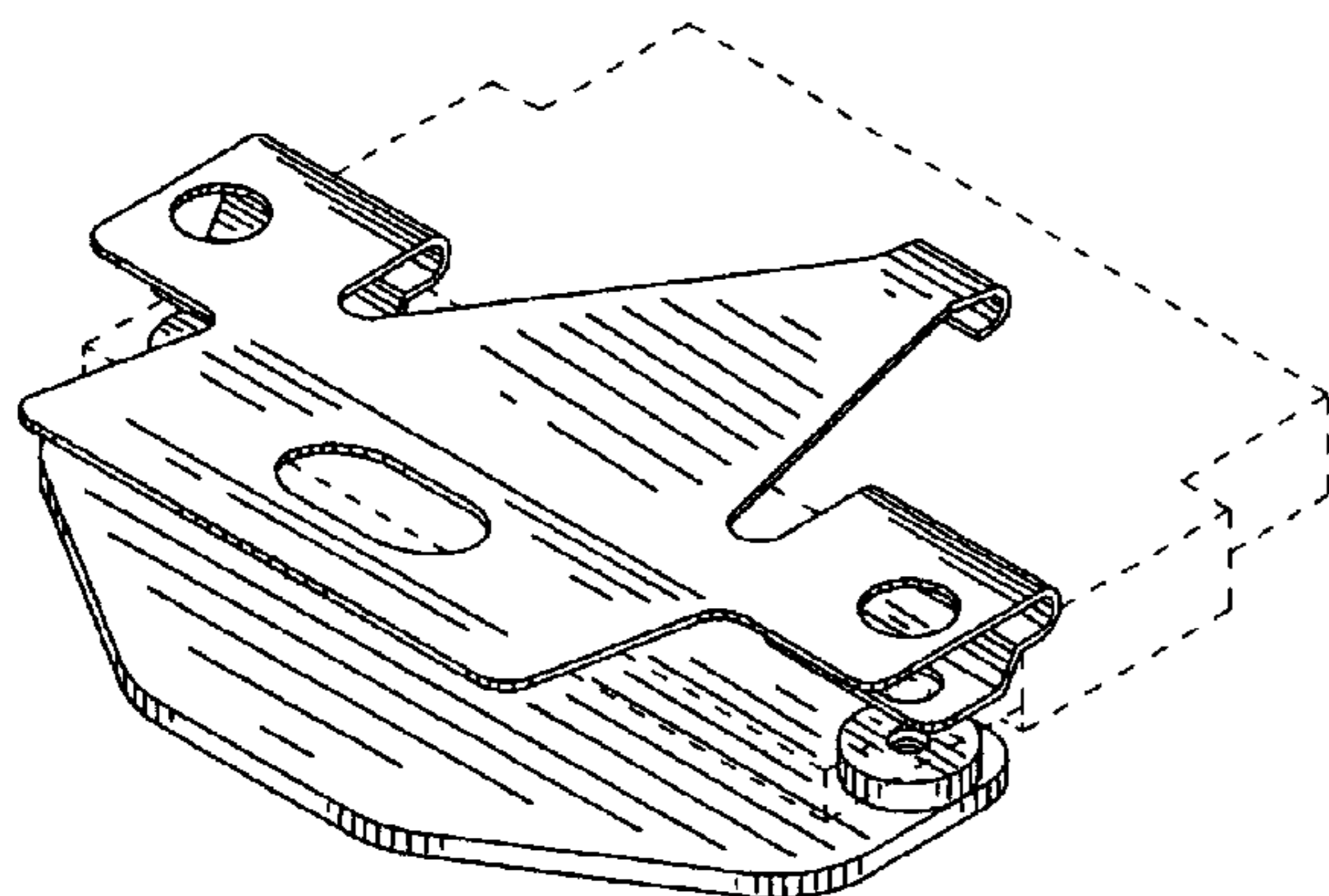
FIG. 6 is a left side elevational view thereof;

FIG. 7 is a rear elevational view thereof; and,

FIG. 8 is a front elevational view thereof.

The broken lines in the Figures are for illustrative purposes only and form no part of the claimed design.

1 Claim, 3 Drawing Sheets



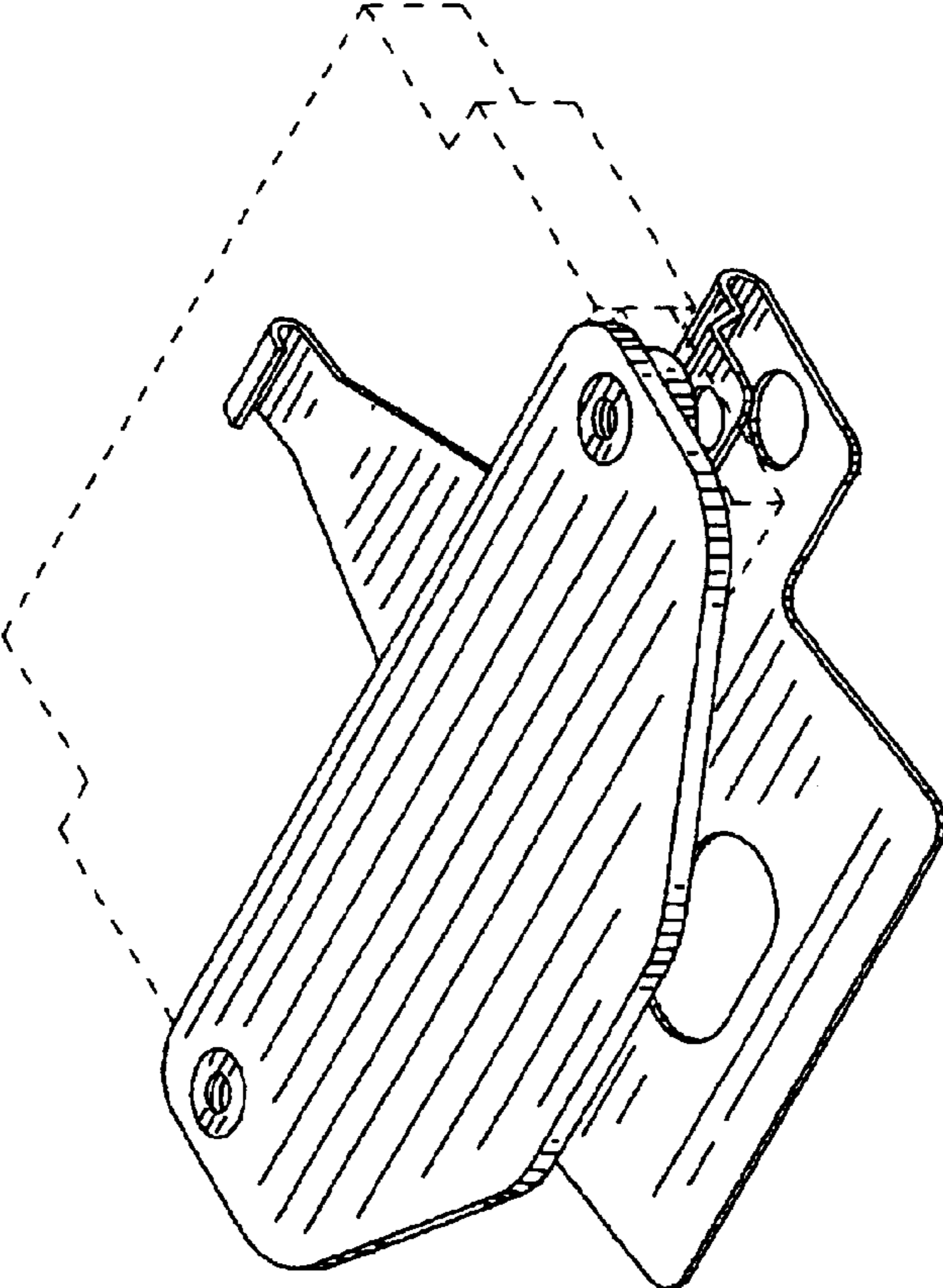


FIG. 2

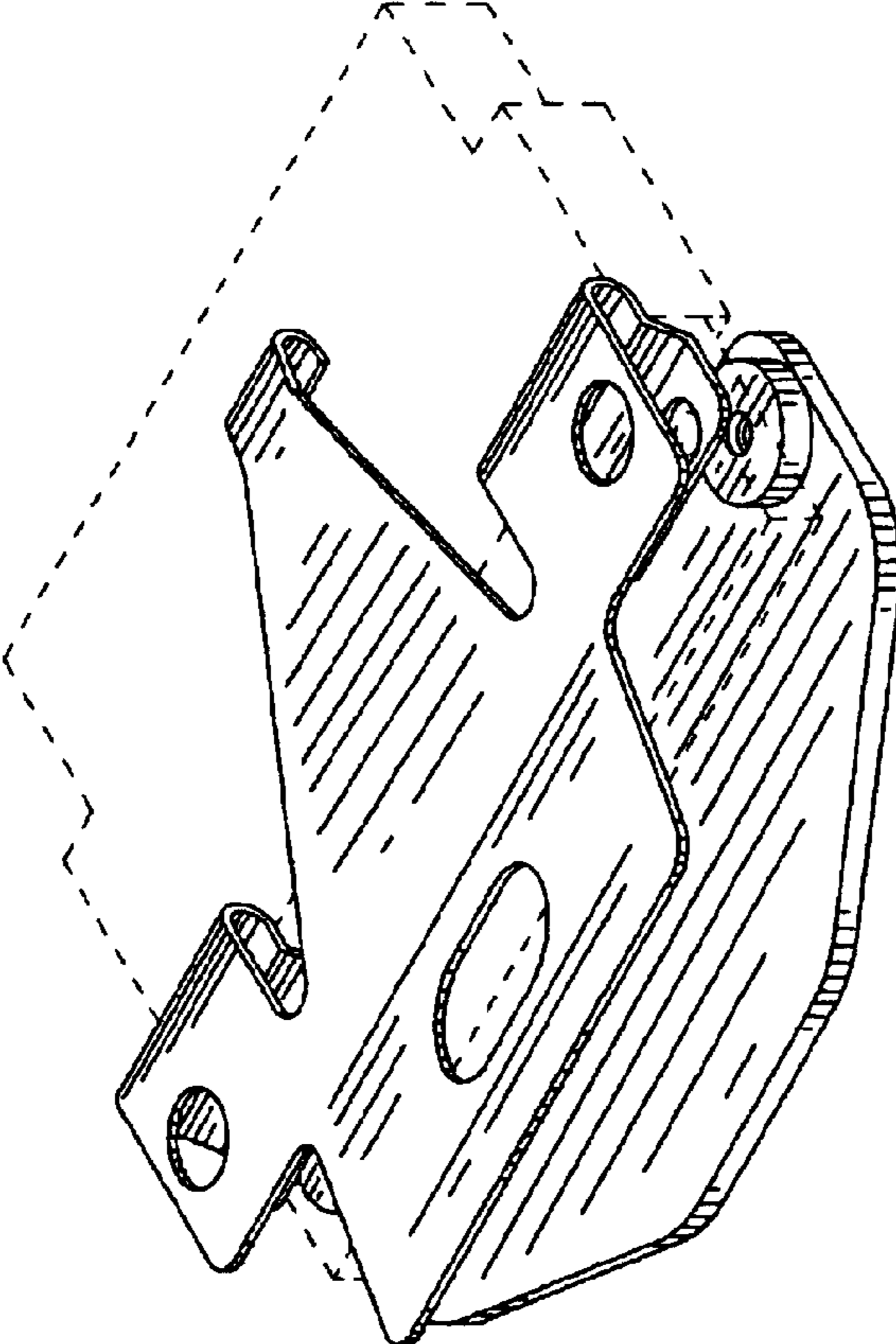


FIG. 1

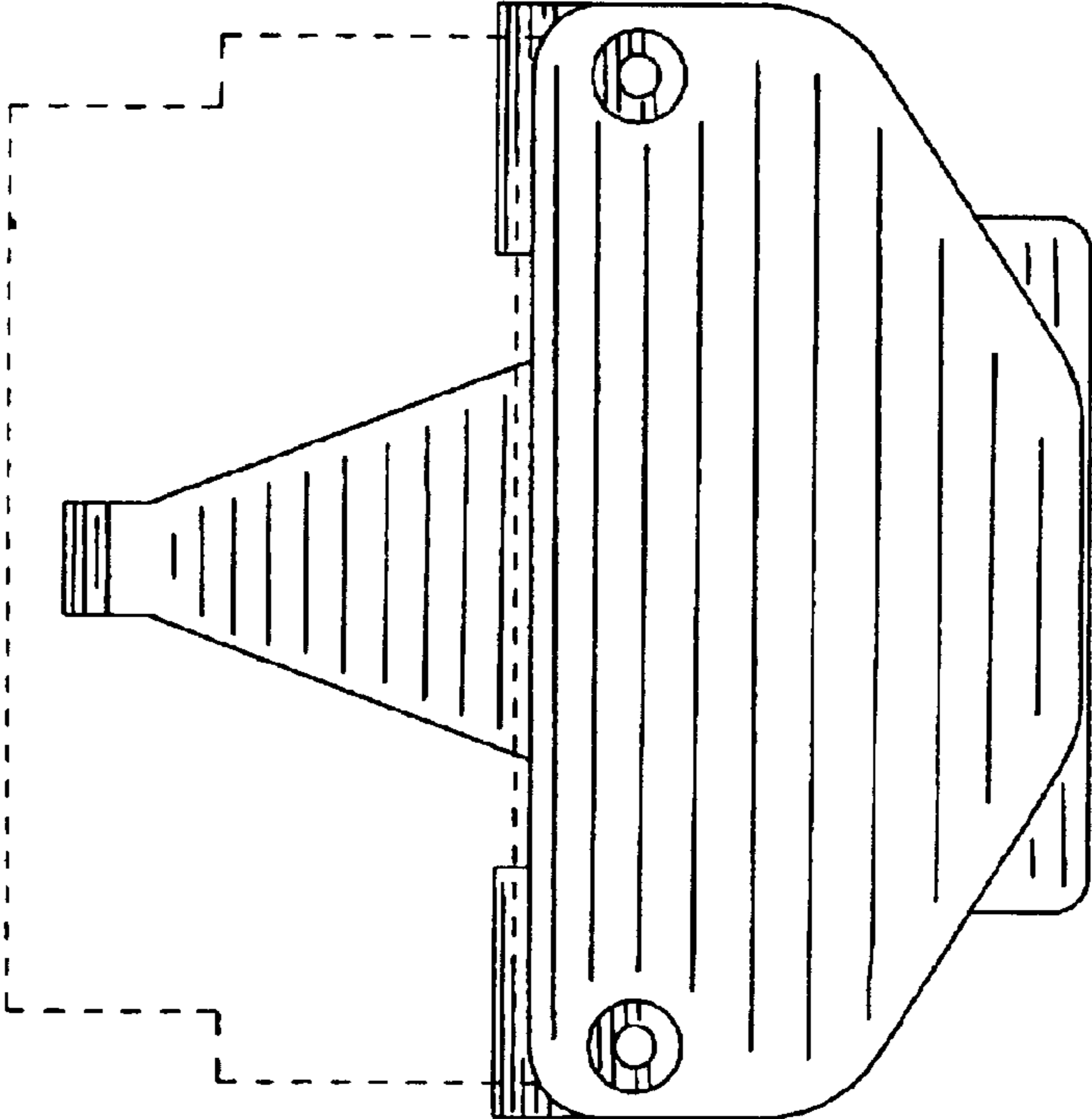


FIG. 4

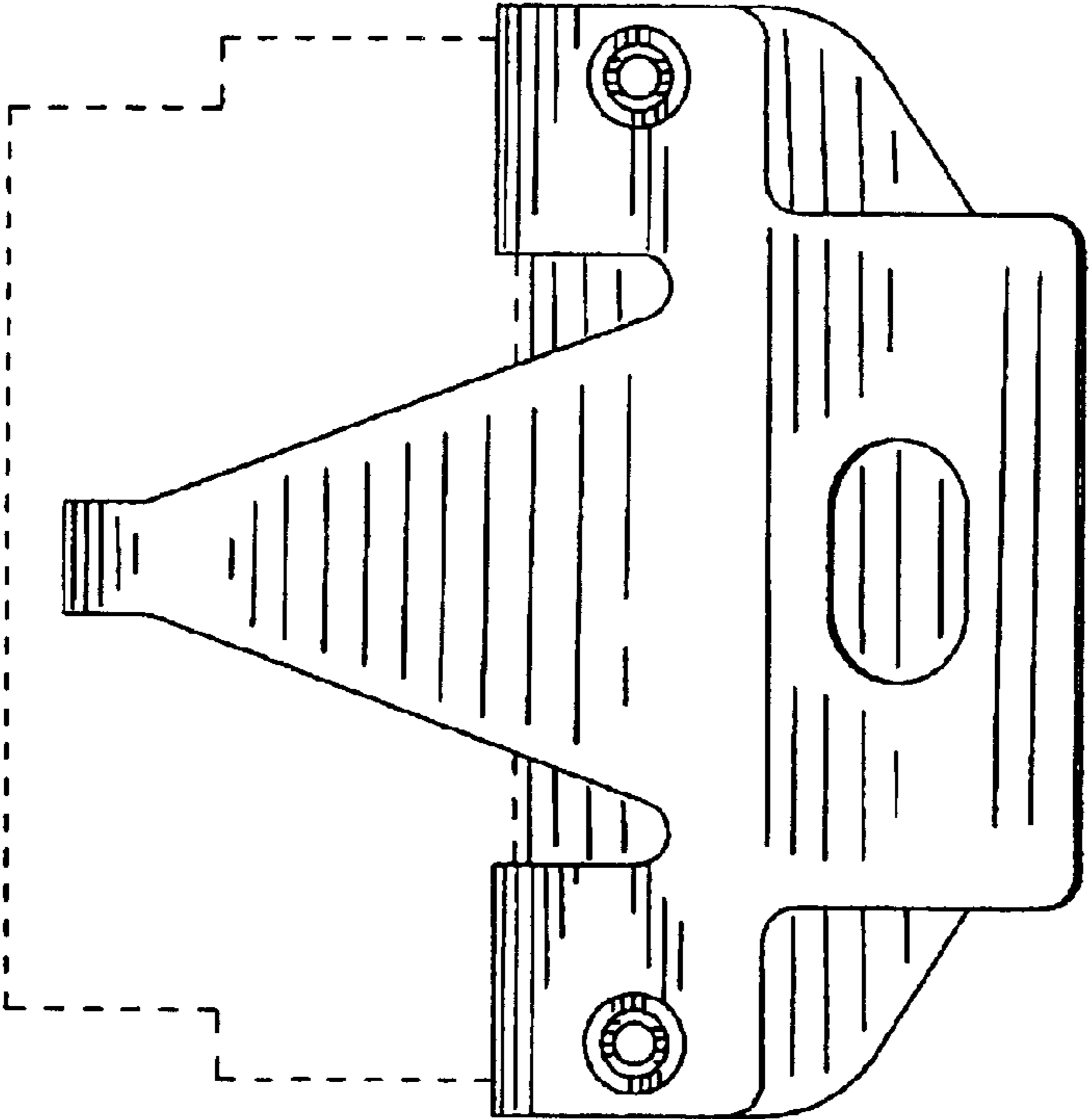


FIG. 3

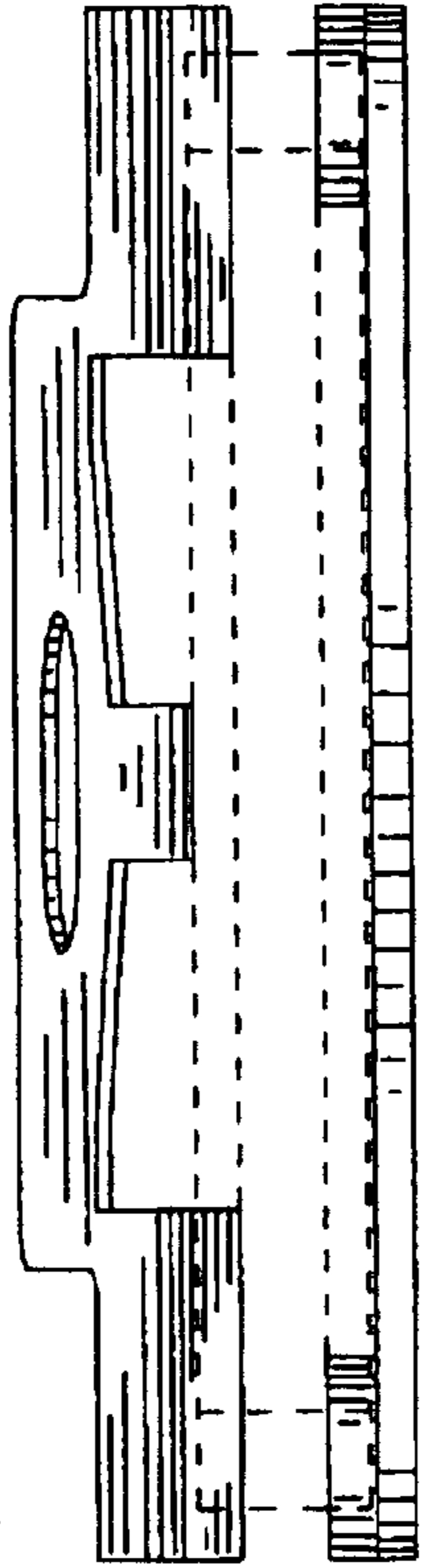


FIG. 7

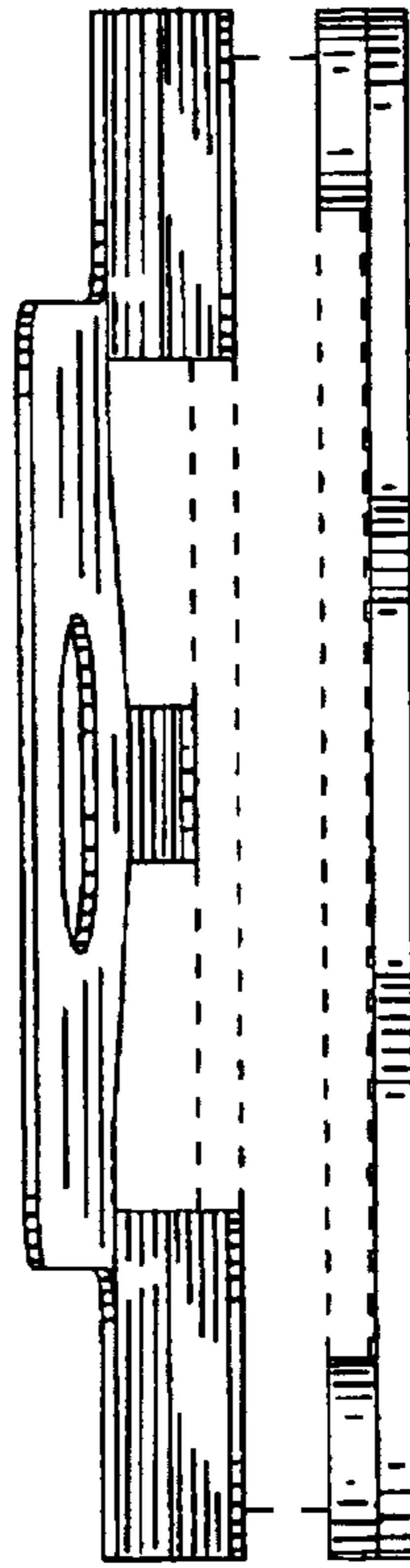


FIG. 8

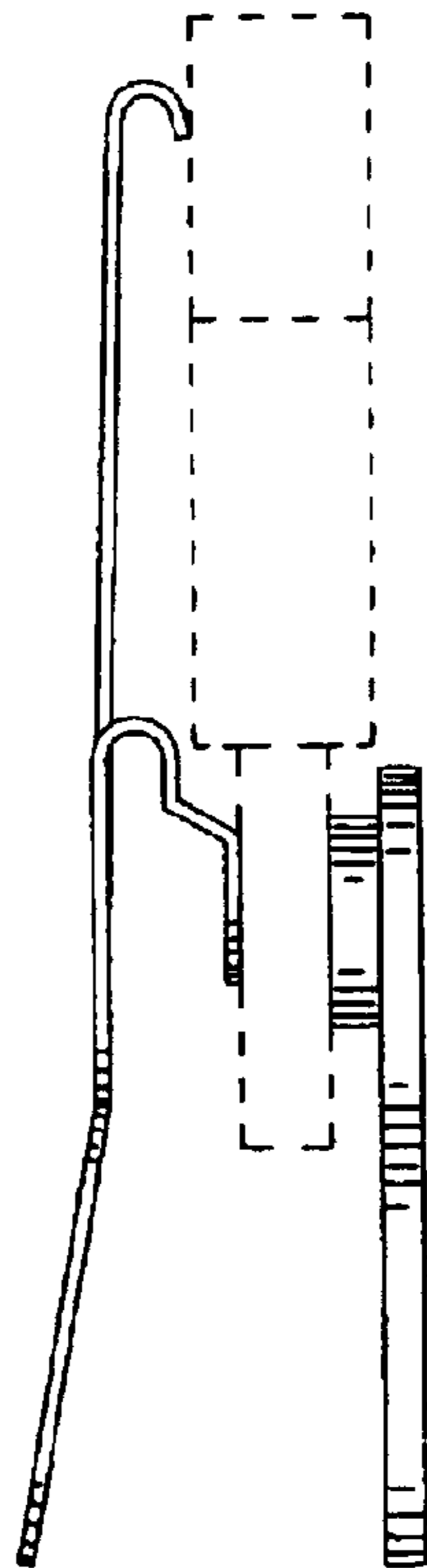


FIG. 5

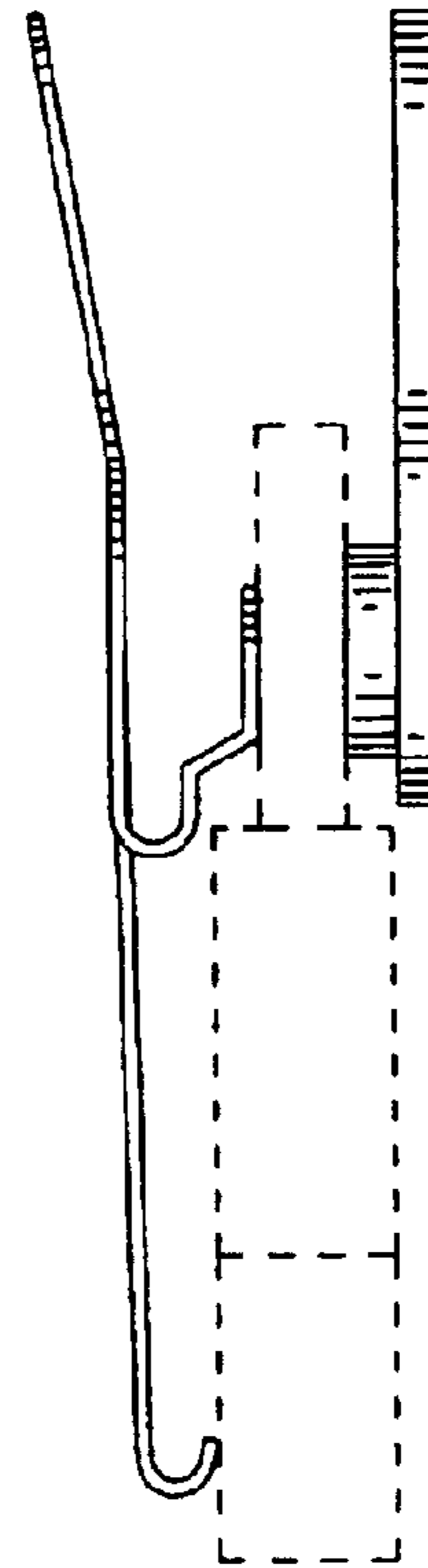


FIG. 6