



US00D515407S

(12) **United States Design Patent**
Groff et al.

(10) **Patent No.:** **US D515,407 S**
(45) **Date of Patent:** **** Feb. 21, 2006**

(54) **SHELF BRACKET**

(75) Inventors: **Malcolm K. Groff**, Orwigsburg, PA
(US); **Yeu-Tien Yu**, Shin Dain (TW)

(73) Assignee: **LTL Wholesale, Inc.**, Schuylkill, PA
(US)

(**) Term: **14 Years**

(21) Appl. No.: **29/223,422**

(22) Filed: **Feb. 14, 2005**

(51) **LOC (8) Cl.** **08-05**

(52) **U.S. Cl.** **D8/380**

(58) **Field of Classification Search** D8/380-381,
D8/363; 248/466, 235, 544, 243, 250; 211/90.01
See application file for complete search history.

(56) **References Cited**

U.S. PATENT DOCUMENTS

4,799,643 A	*	1/1989	Shepard	248/544
D377,449 S	*	1/1997	Roberts et al.	D8/381
D388,694 S	*	1/1998	Cohen	D8/381
D399,728 S	*	10/1998	Cohen	D8/381
D404,285 S	*	1/1999	Skudelny	D8/354
D408,272 S	*	4/1999	Caron et al.	D8/381
6,073,784 A	*	6/2000	Hattingh et al.	211/90.01

* cited by examiner

Primary Examiner—Holly H. Baynham
(74) *Attorney, Agent, or Firm*—Frank A. Mazzeo, P.C.;
Frank A. Mazzeo

(57) **CLAIM**

We claim, the ornamental design for a shelf bracket, as shown and described.

DESCRIPTION

FIG. 1 is a perspective view of a shelf bracket;
FIG. 2 is a top plan view of the shelf bracket of FIG. 1;
FIG. 3 is a front elevational view of the shelf bracket of FIG. 1;
FIG. 4 is a rear elevational view of the shelf bracket of FIG. 1;
FIG. 5 is a bottom plan view of the shelf bracket of FIG. 1;
FIG. 6 is a right-side elevational view of the shelf bracket of FIG. 1;
FIG. 7 is a left-side elevational view of the shelf bracket of FIG. 1; and,
FIG. 8 is another perspective view of the shelf bracket of FIG. 1.
The broken line showing of screws and partial shelf is for illustrative purposes only and forms no part of the claimed design.

1 Claim, 2 Drawing Sheets

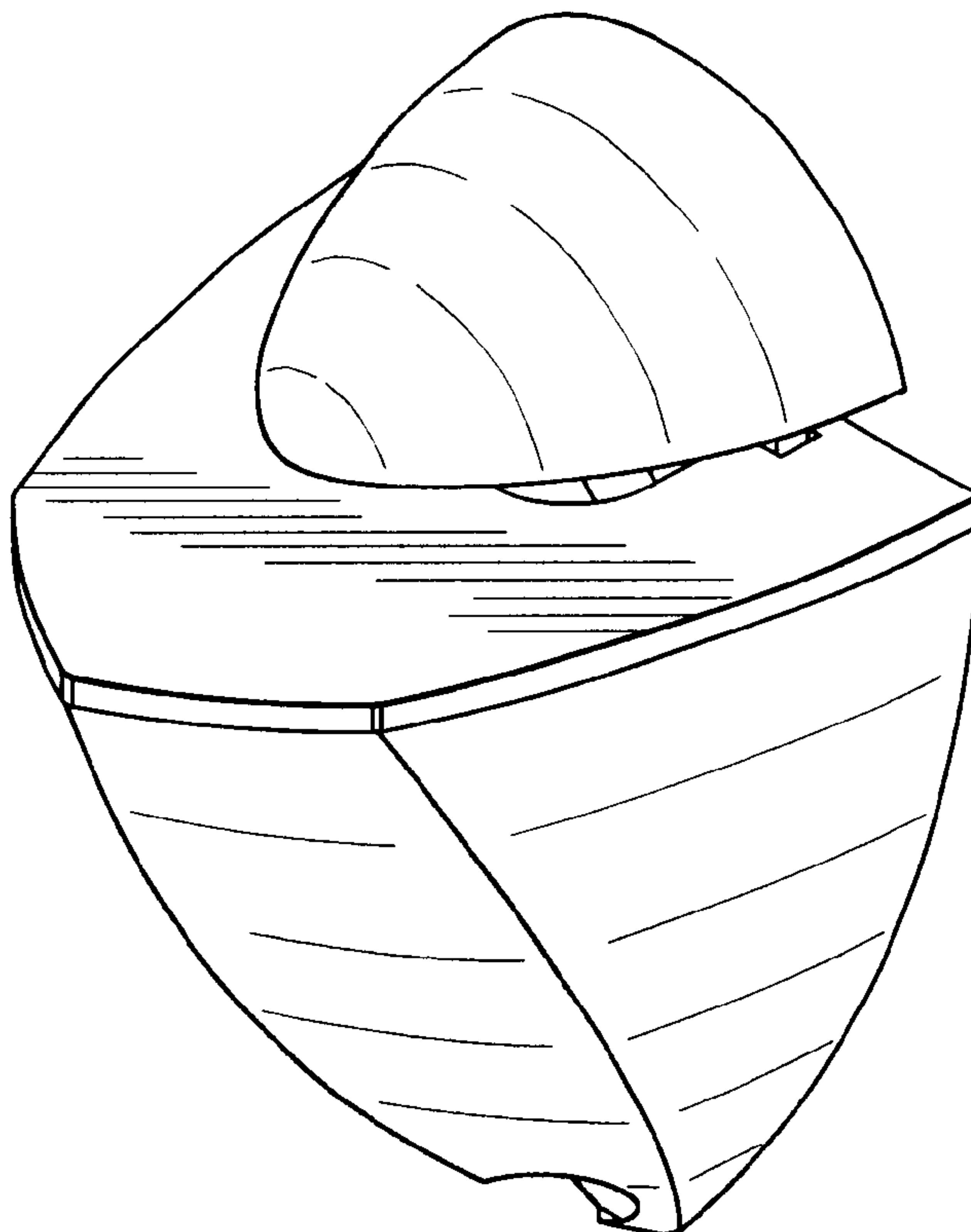


FIG. 1

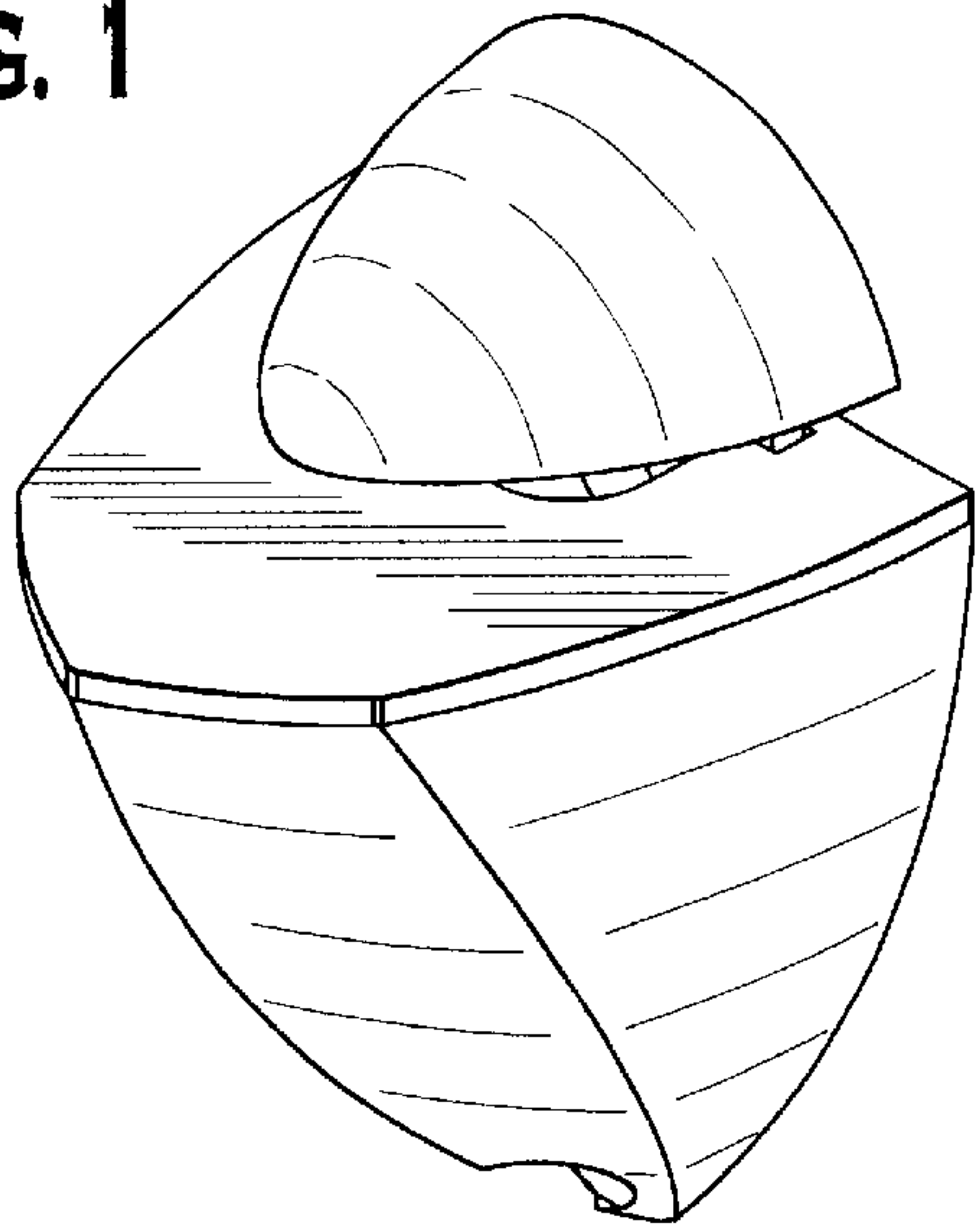


FIG. 2

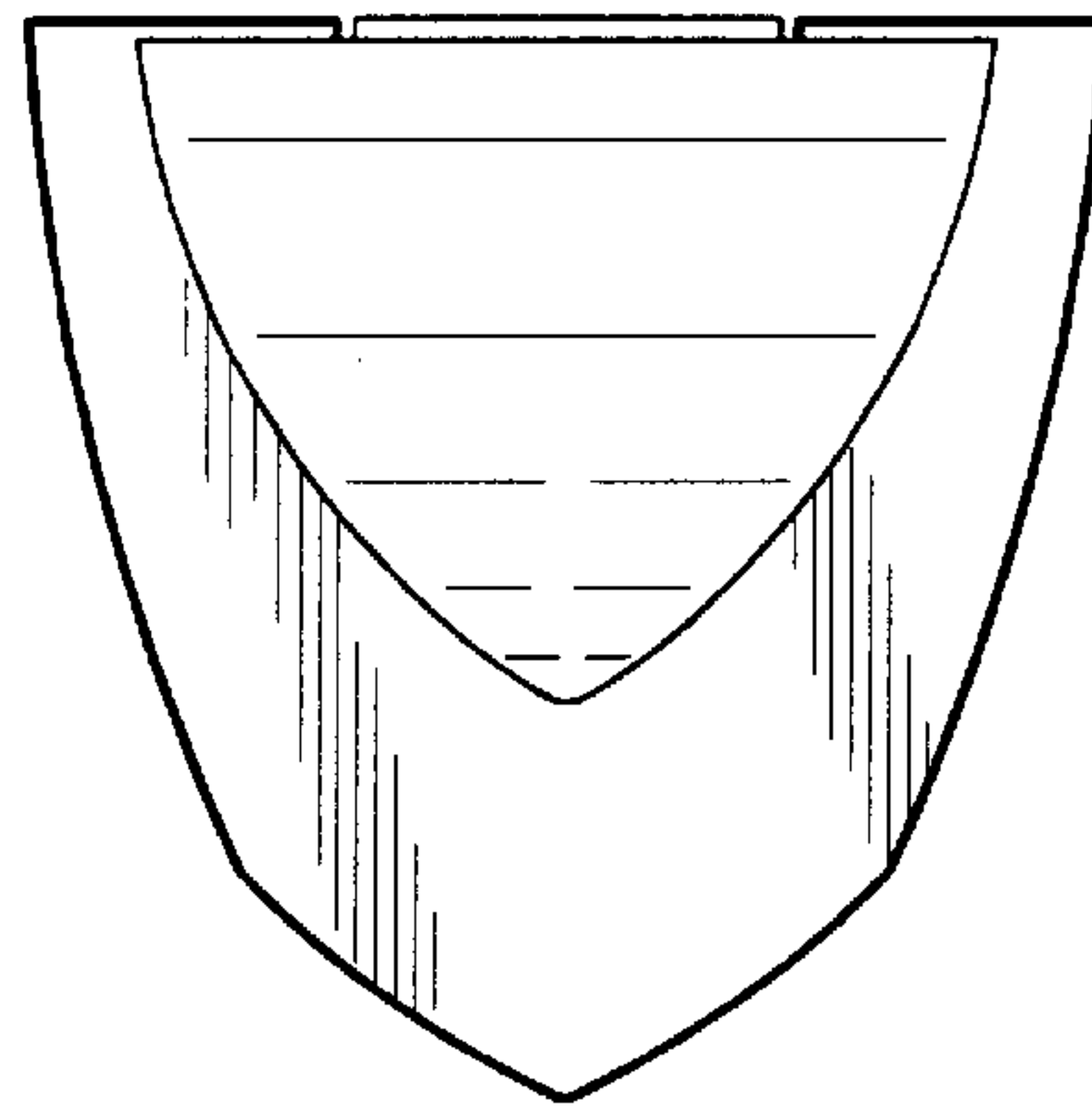


FIG. 3

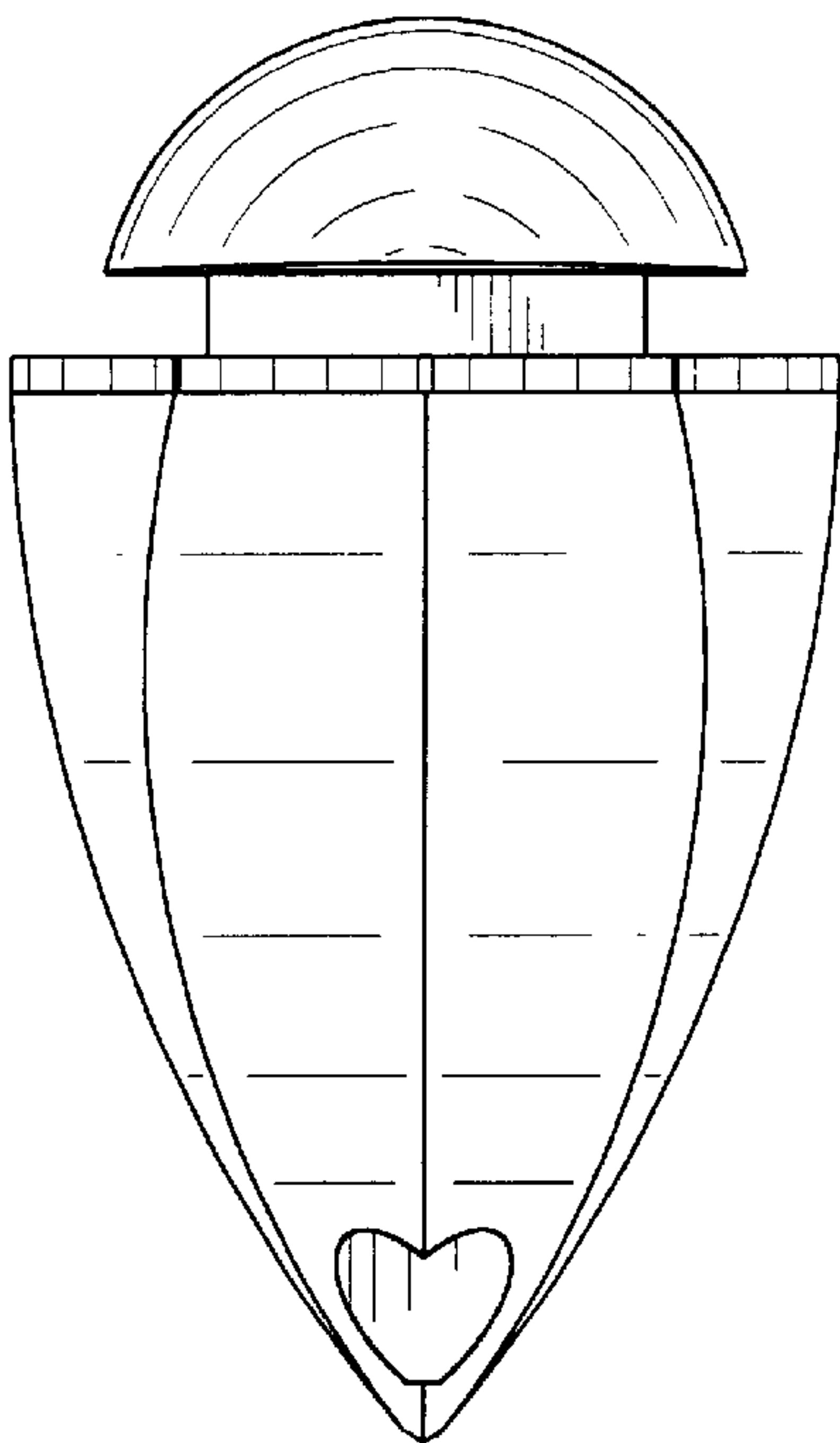


FIG. 4

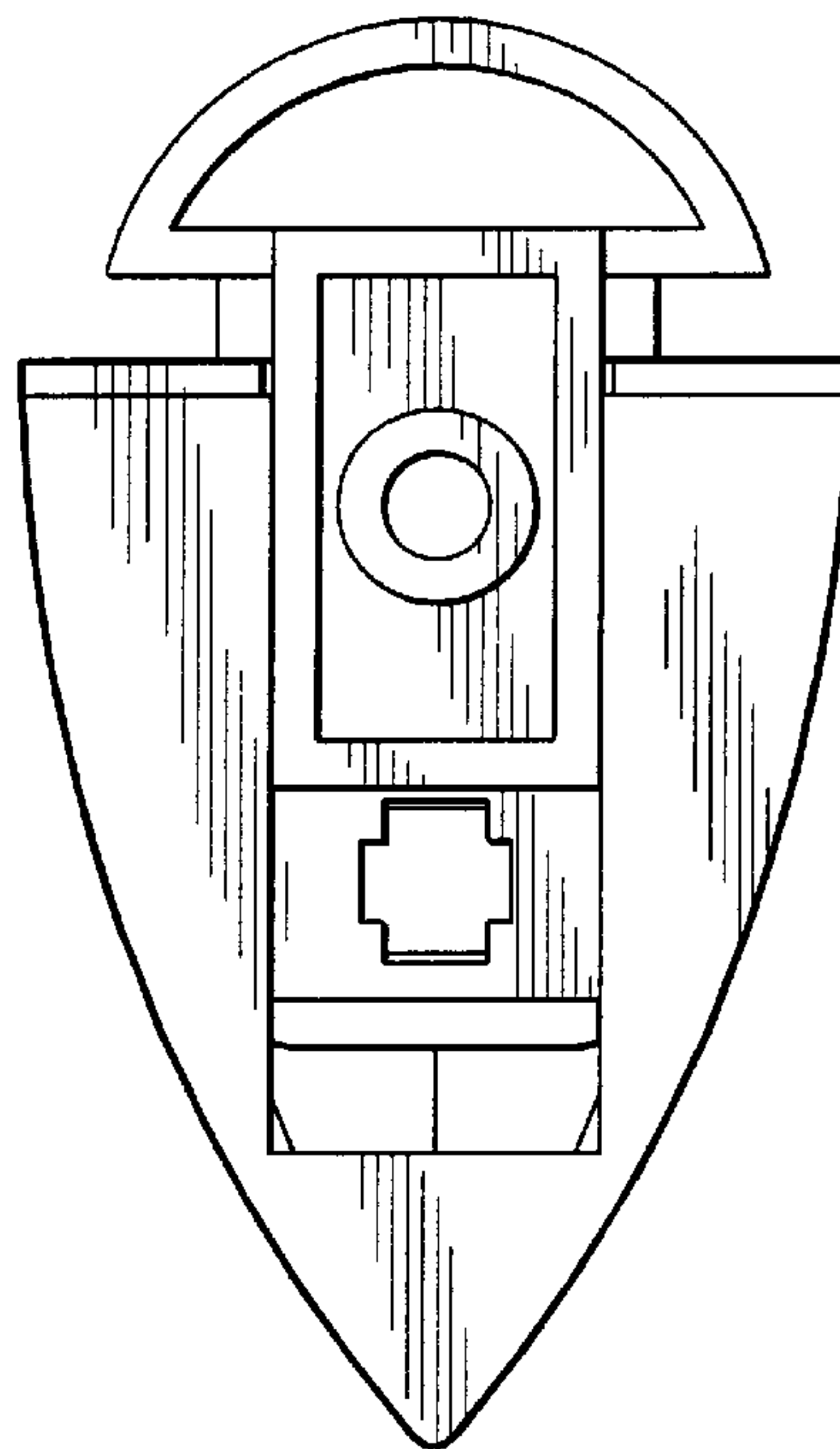


FIG. 6

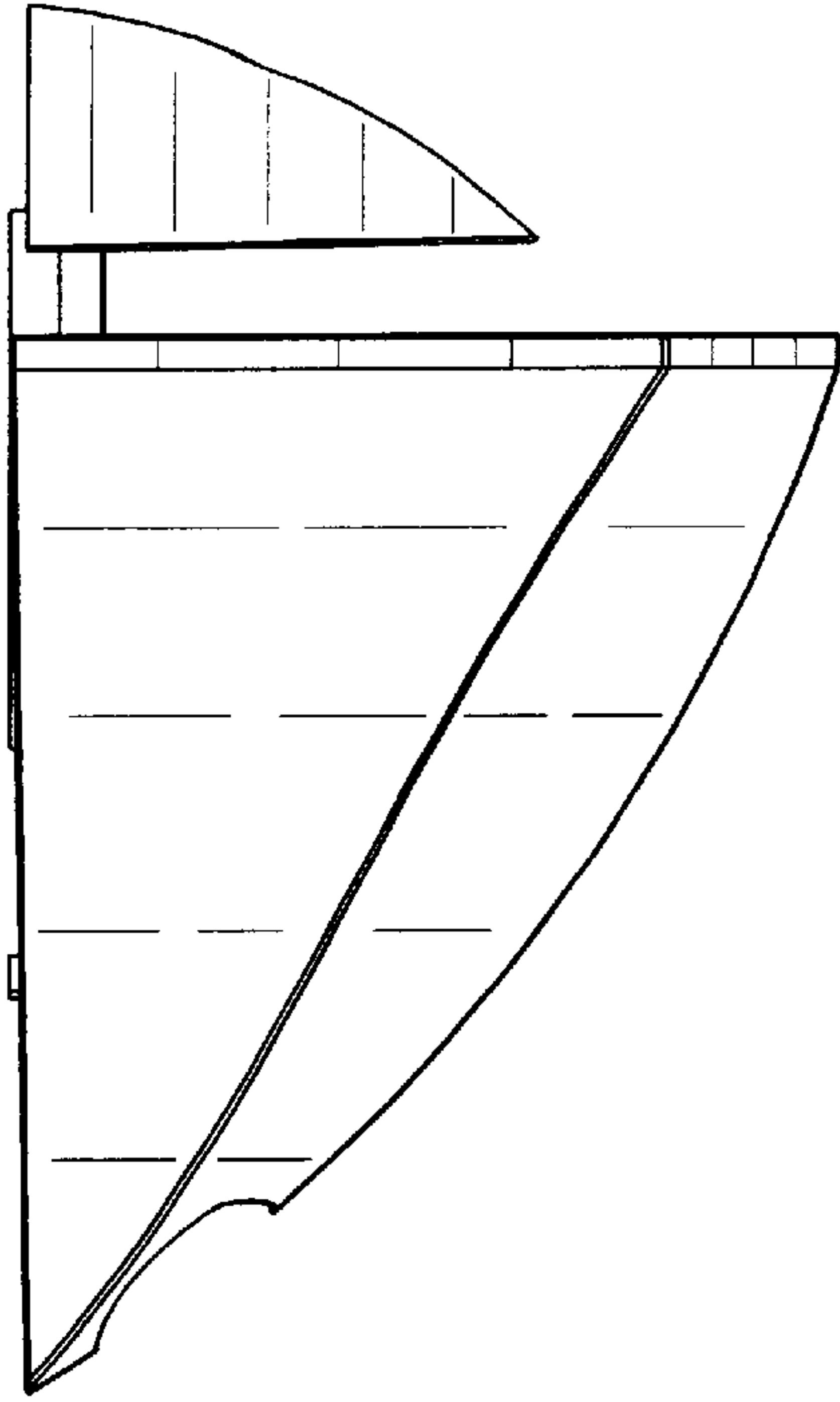


FIG. 5

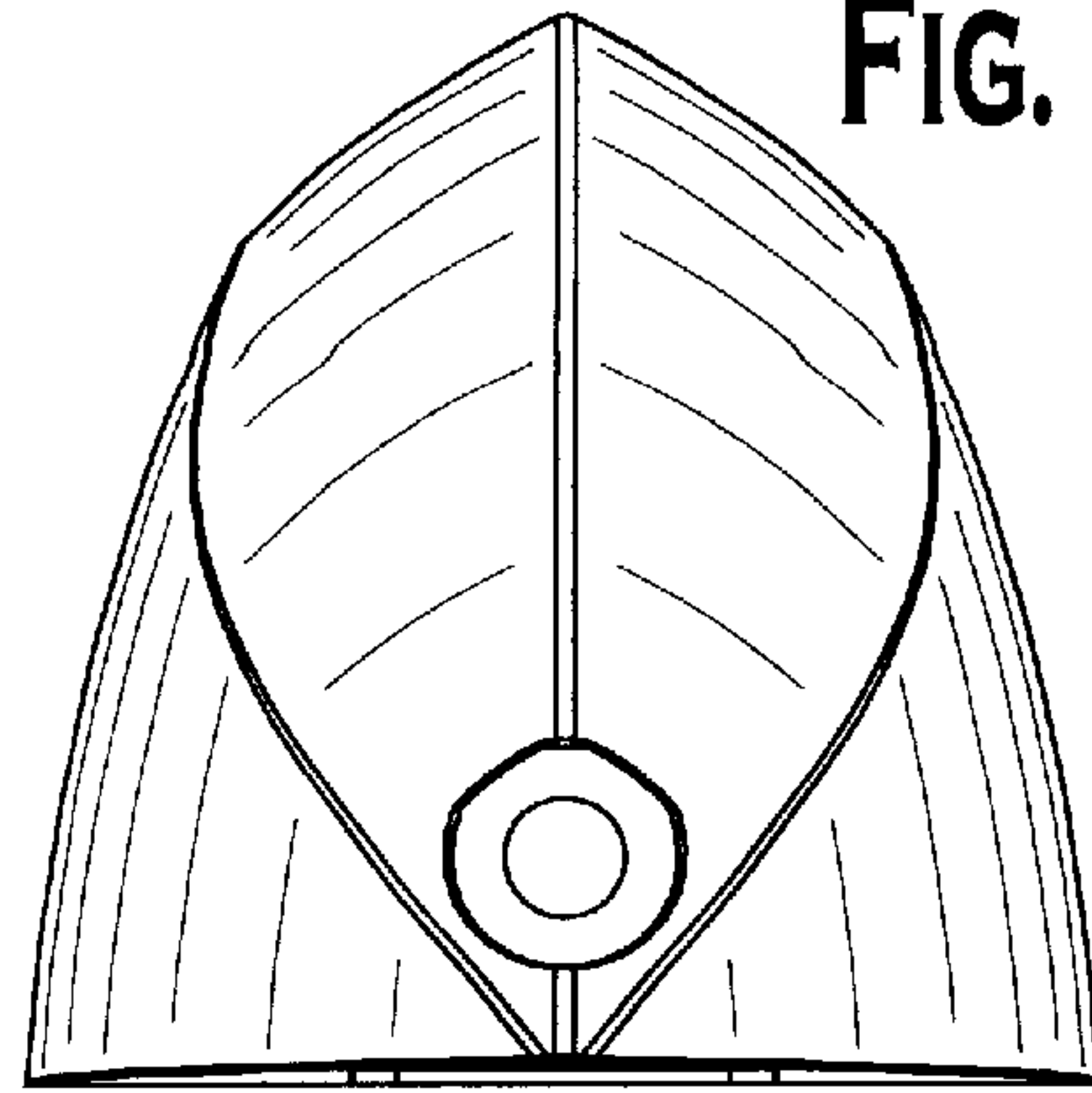


FIG. 7

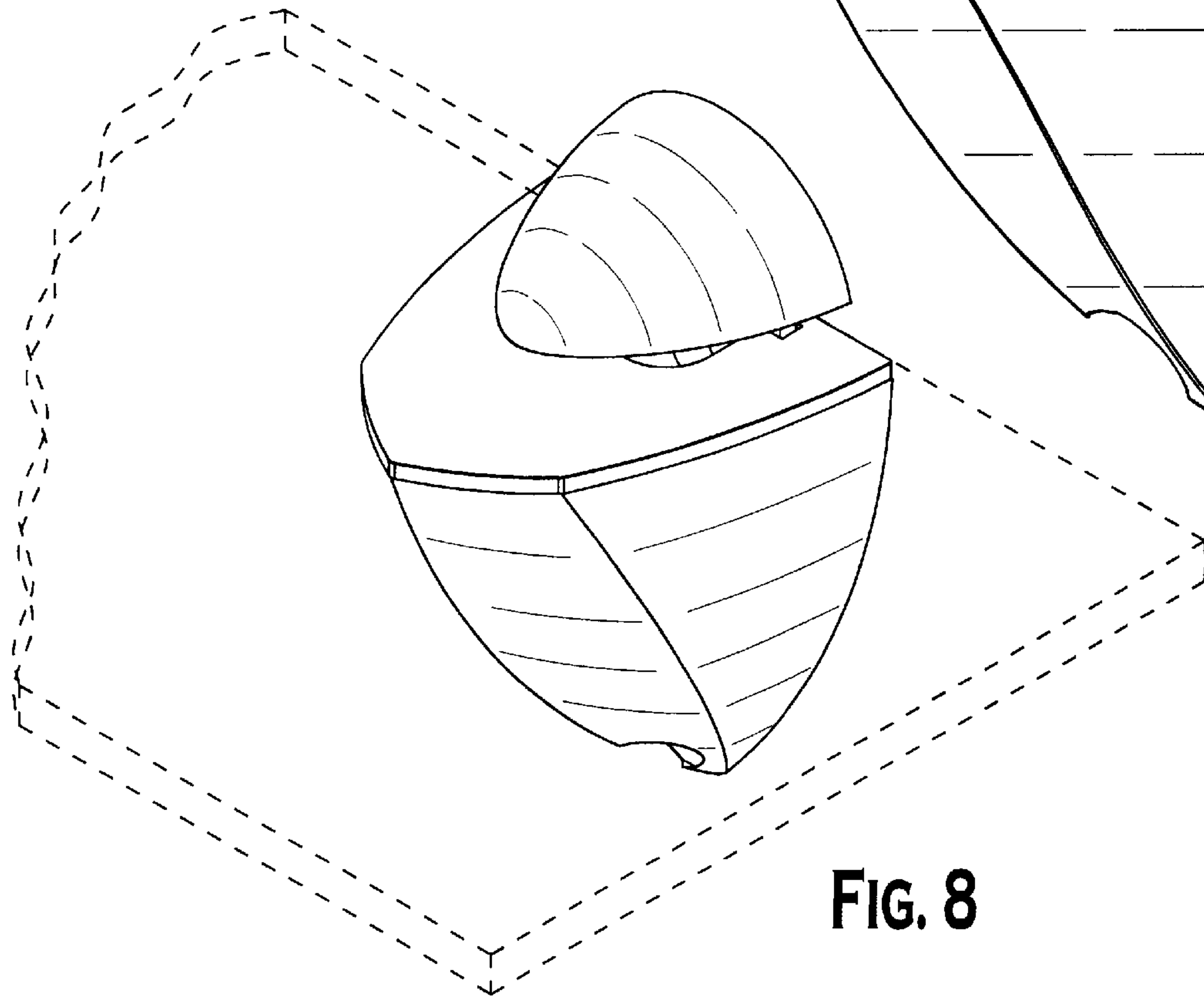
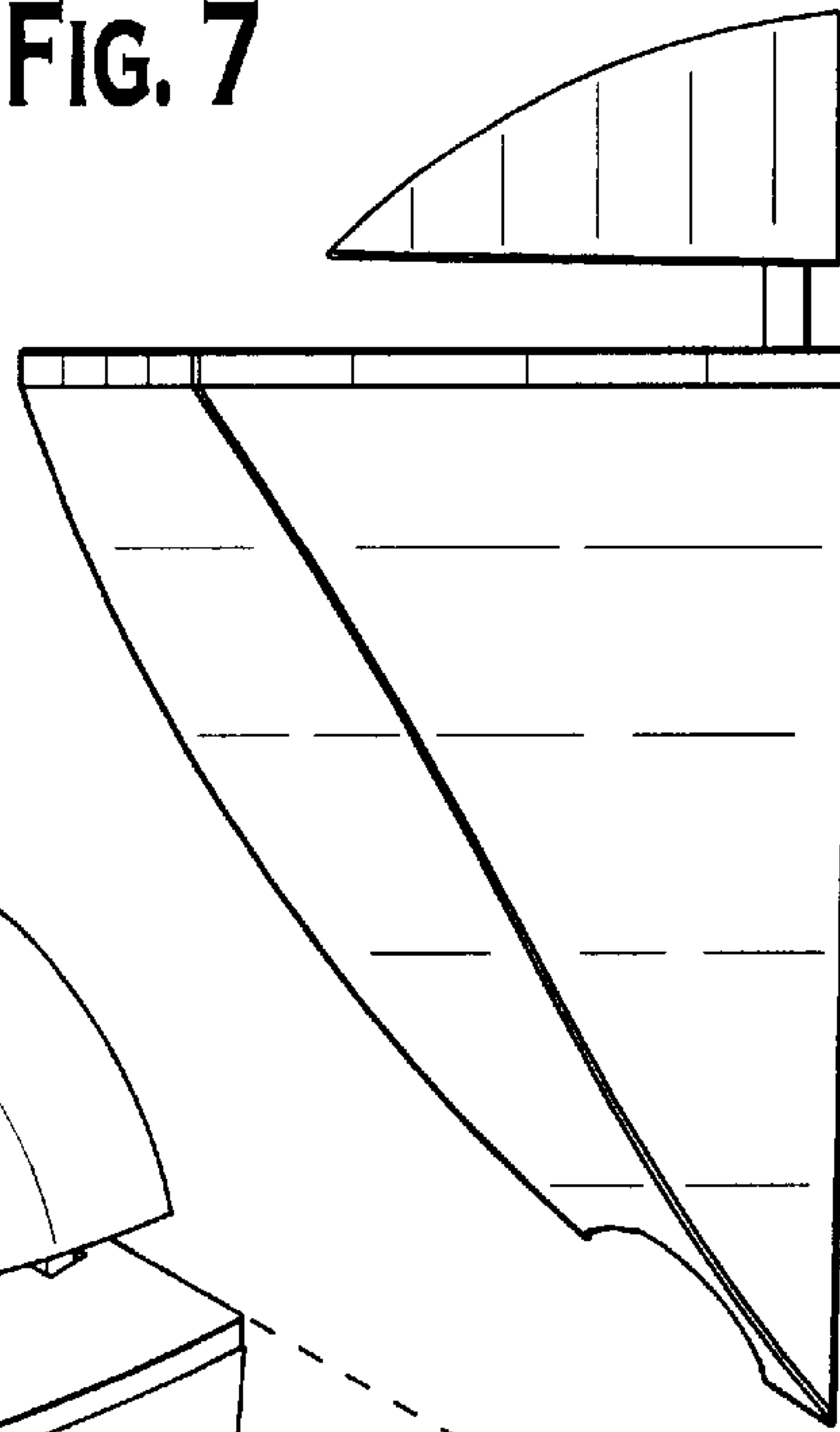


FIG. 8