



US00D515406S

(12) **United States Design Patent** (10) **Patent No.:** **US D515,406 S**
Groff et al. (45) **Date of Patent:** **** Feb. 21, 2006**

(54) **SHELF BRACKET**

(75) Inventors: **Malcolm K. Groff**, Orwigsburg, PA (US); **Yeu-Tien Yu**, Shin Dain (TW)

(73) Assignee: **LTL Wholesale, Inc.**, Schuylkill, PA (US)

(**) Term: **14 Years**

(21) Appl. No.: **29/223,415**

(22) Filed: **Feb. 14, 2005**

(51) **LOC (8) Cl.** **08-05**

(52) **U.S. Cl.** **D8/380**

(58) **Field of Classification Search** D8/380-381, D8/363; 248/466, 235, 243, 544, 250; 211/90.01
See application file for complete search history.

(56) **References Cited**

U.S. PATENT DOCUMENTS

4,830,323	A	*	5/1989	Harley	248/250
D302,240	S	*	7/1989	Zell	D8/381
5,384,198	A	*	1/1995	Hodges	248/466
D377,449	S	*	1/1997	Roberts et al.	D8/381
D404,285	S	*	1/1999	Skudelny	D8/354
D408,272	S	*	4/1999	Caron et al.	D8/381

* cited by examiner

Primary Examiner—Holly H. Baynham
(74) *Attorney, Agent, or Firm*—Frank A. Mazzeo, P.C.; Frank A. Mazzeo

(57) **CLAIM**

We claim, the ornamental design for a shelf bracket, as shown and described.

DESCRIPTION

FIG. 1 is a perspective view of a shelf bracket from the top; FIG. 2 is a perspective view of the shelf bracket of FIG. 1 from the bottom; FIG. 3 is a front elevational view of the shelf bracket of FIG. 1; FIG. 4 are right-side and left-side elevational views of the shelf bracket of FIG. 1, each side being a mirror image of the other; FIG. 5 is a top plan view of the shelf bracket of FIG. 1; FIG. 6 is a bottom plan view of the shelf bracket of FIG. 1; FIG. 7 is a rear elevational view of the shelf bracket of FIG. 1; and, FIG. 8 is another perspective view of the shelf bracket of FIG. 1.

The broken line showing of screws and partial shelf is for illustrative purposes only and forms no part of the claimed design.

1 Claim, 3 Drawing Sheets

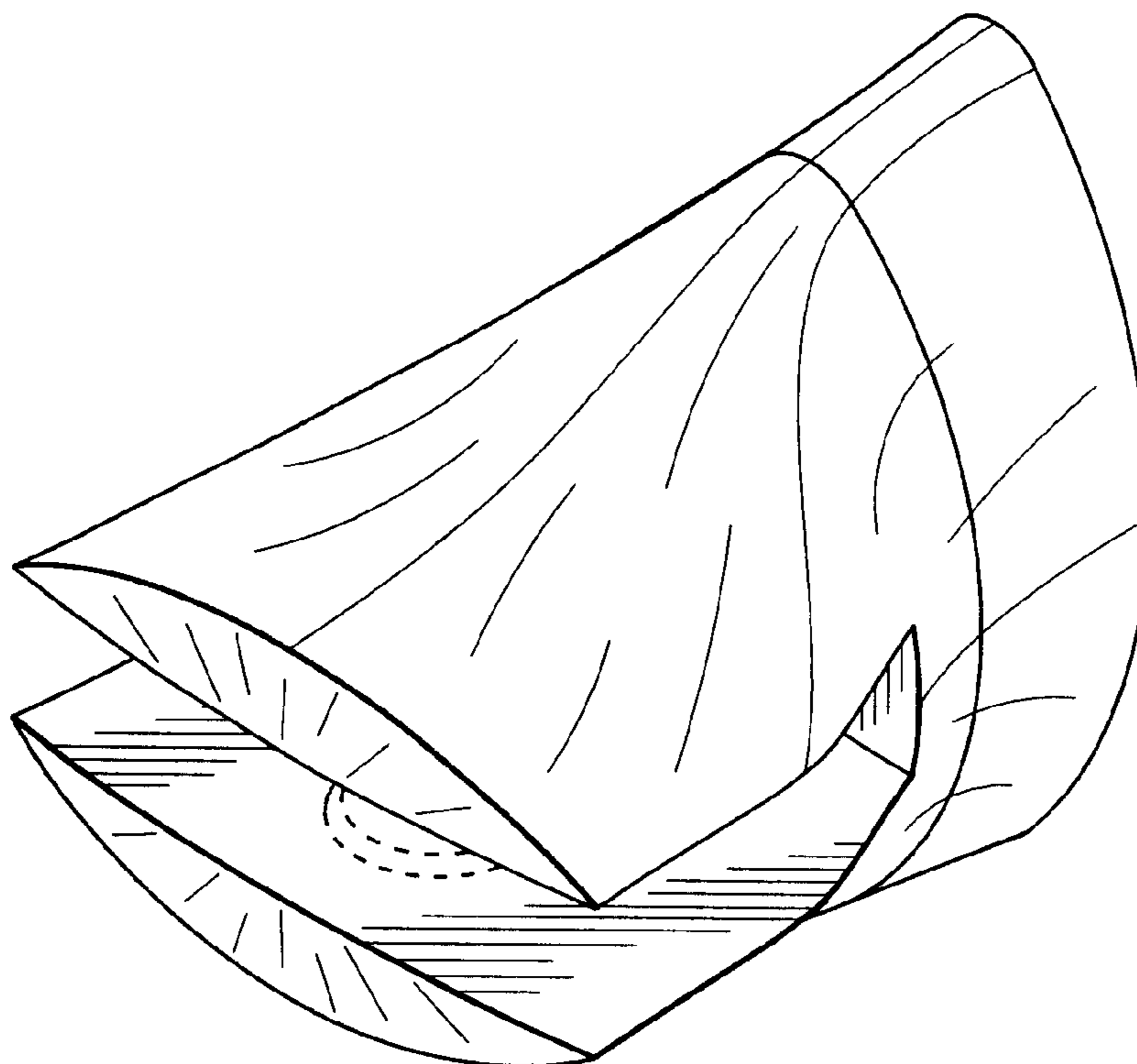


FIG. 1

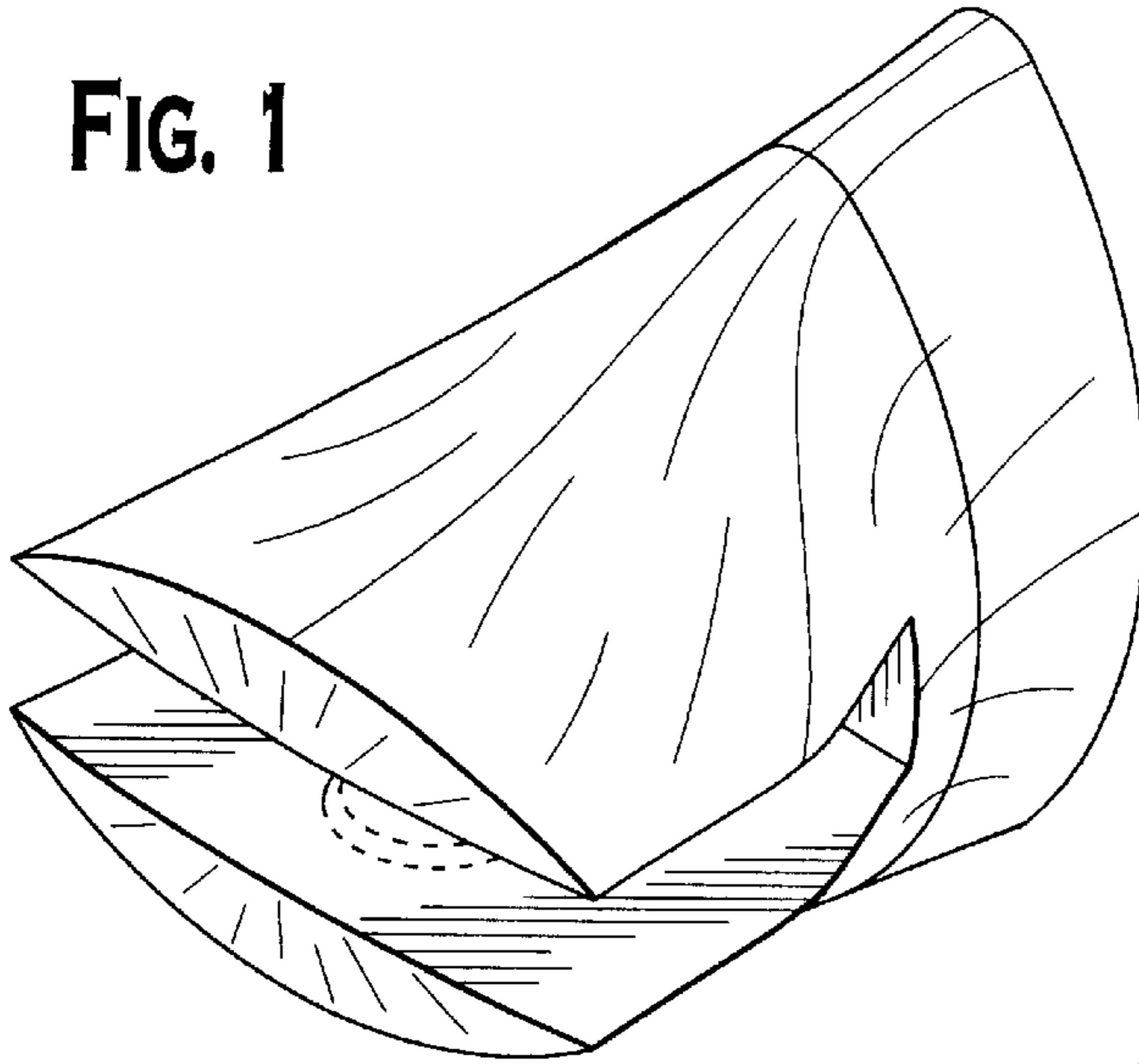


FIG. 2

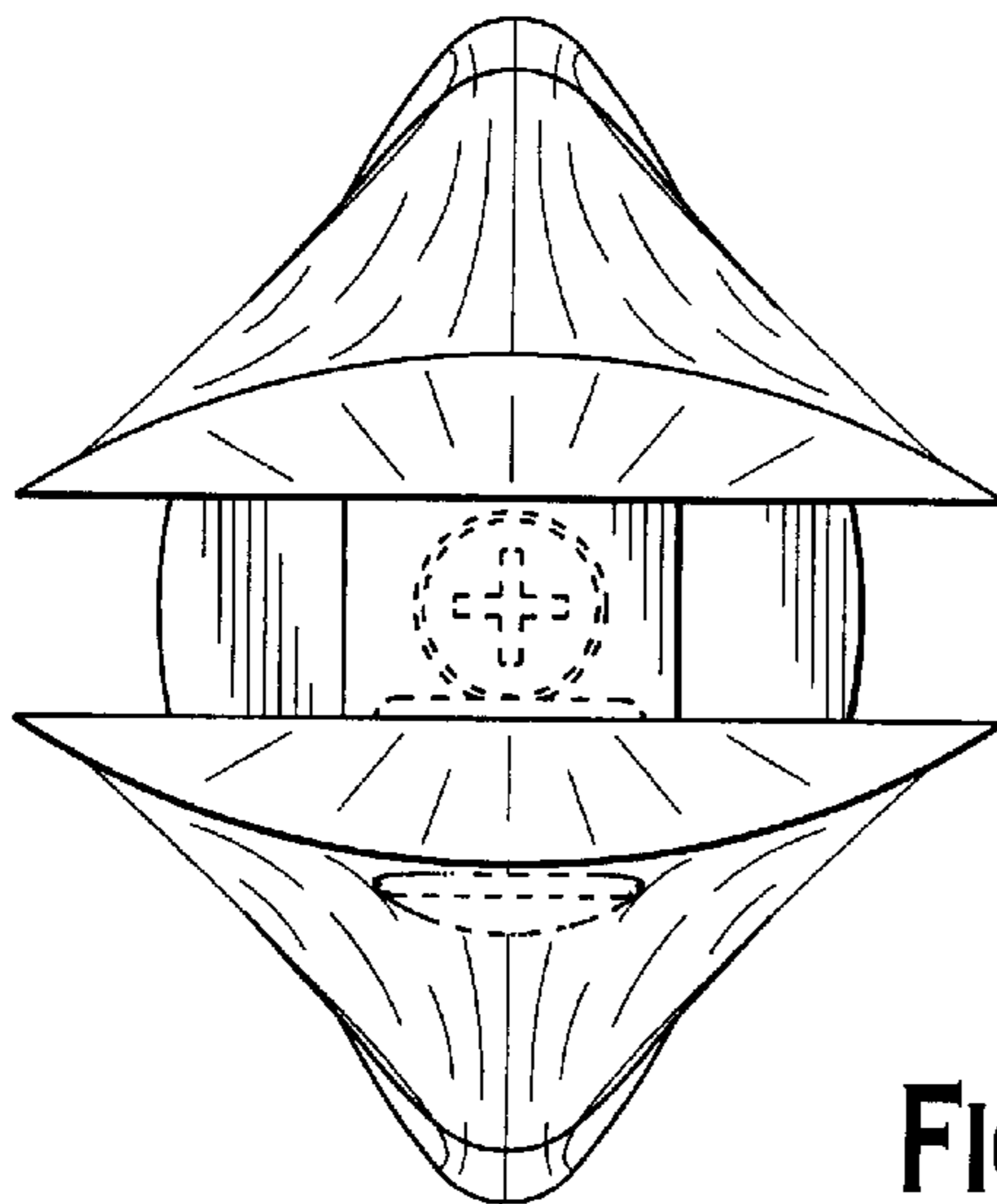
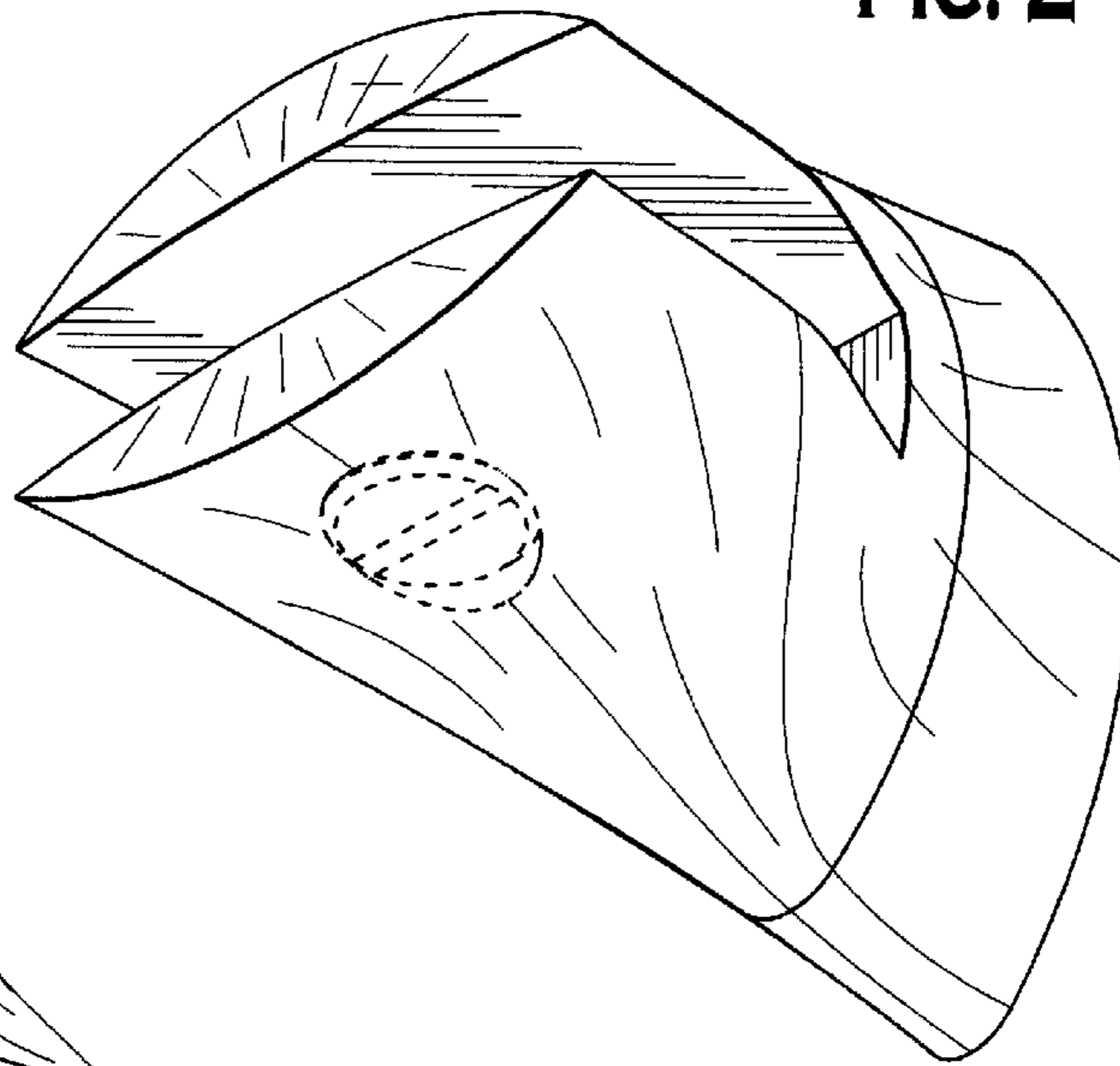


FIG. 3

FIG. 4

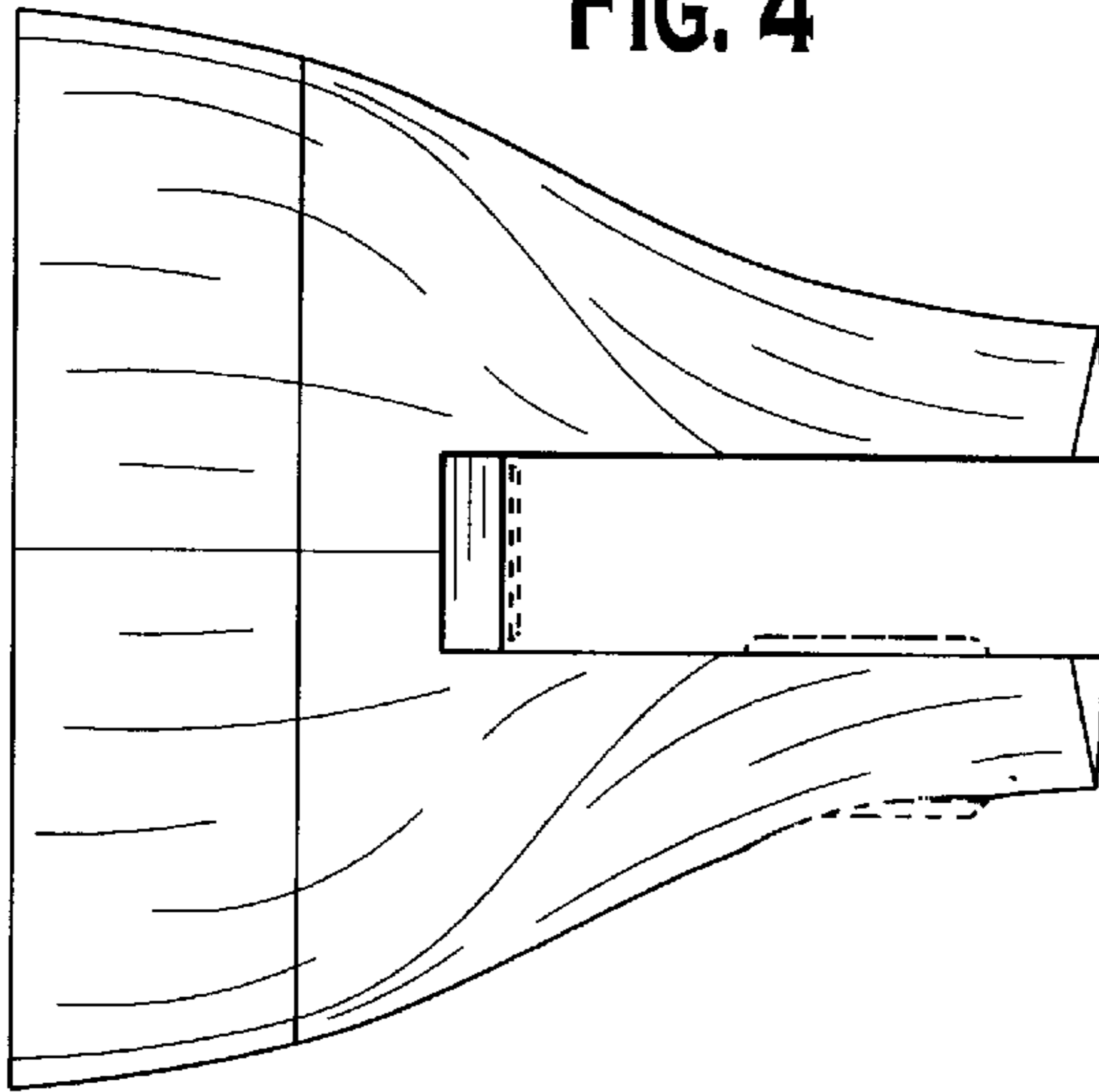


FIG. 5

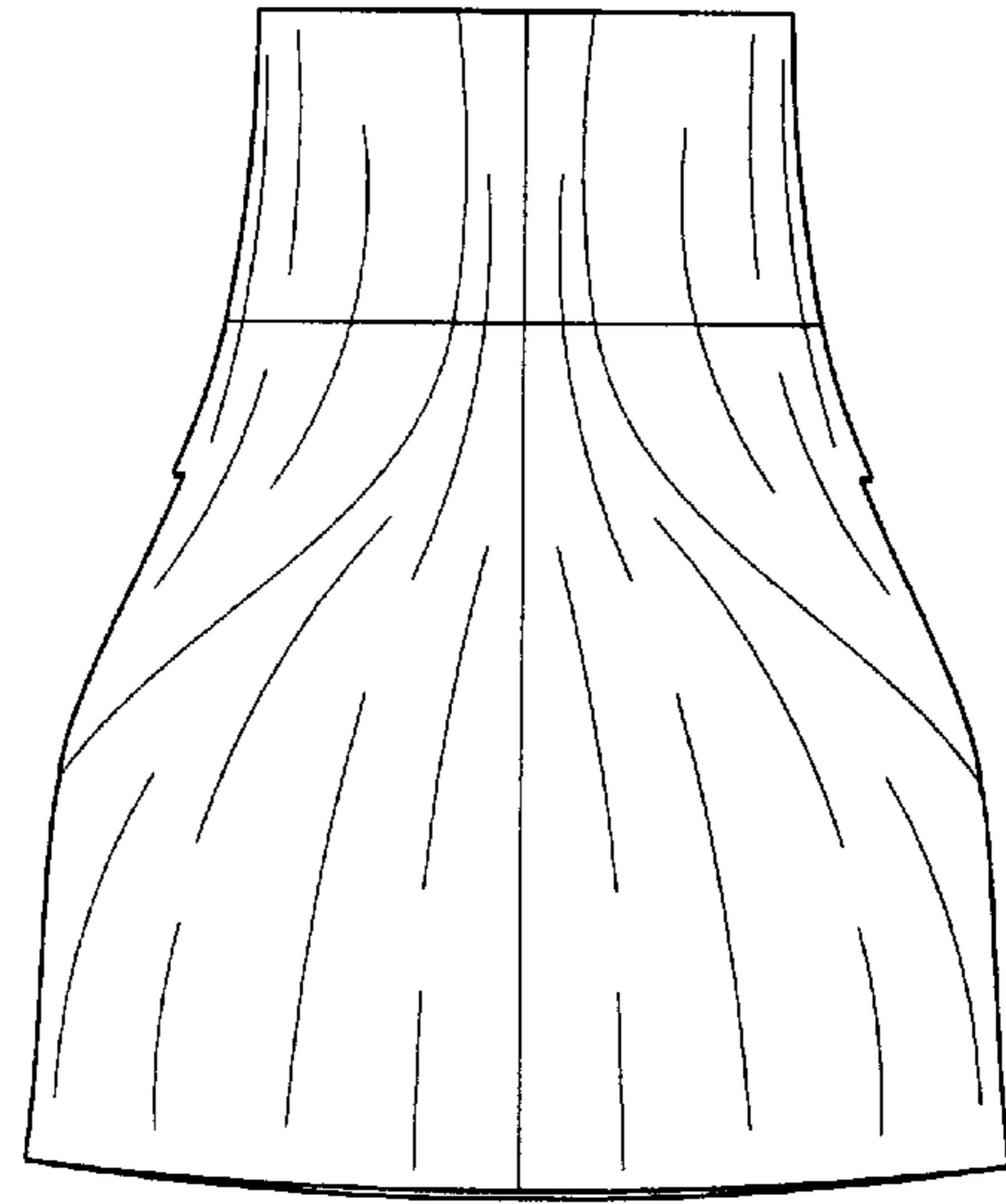


FIG. 6

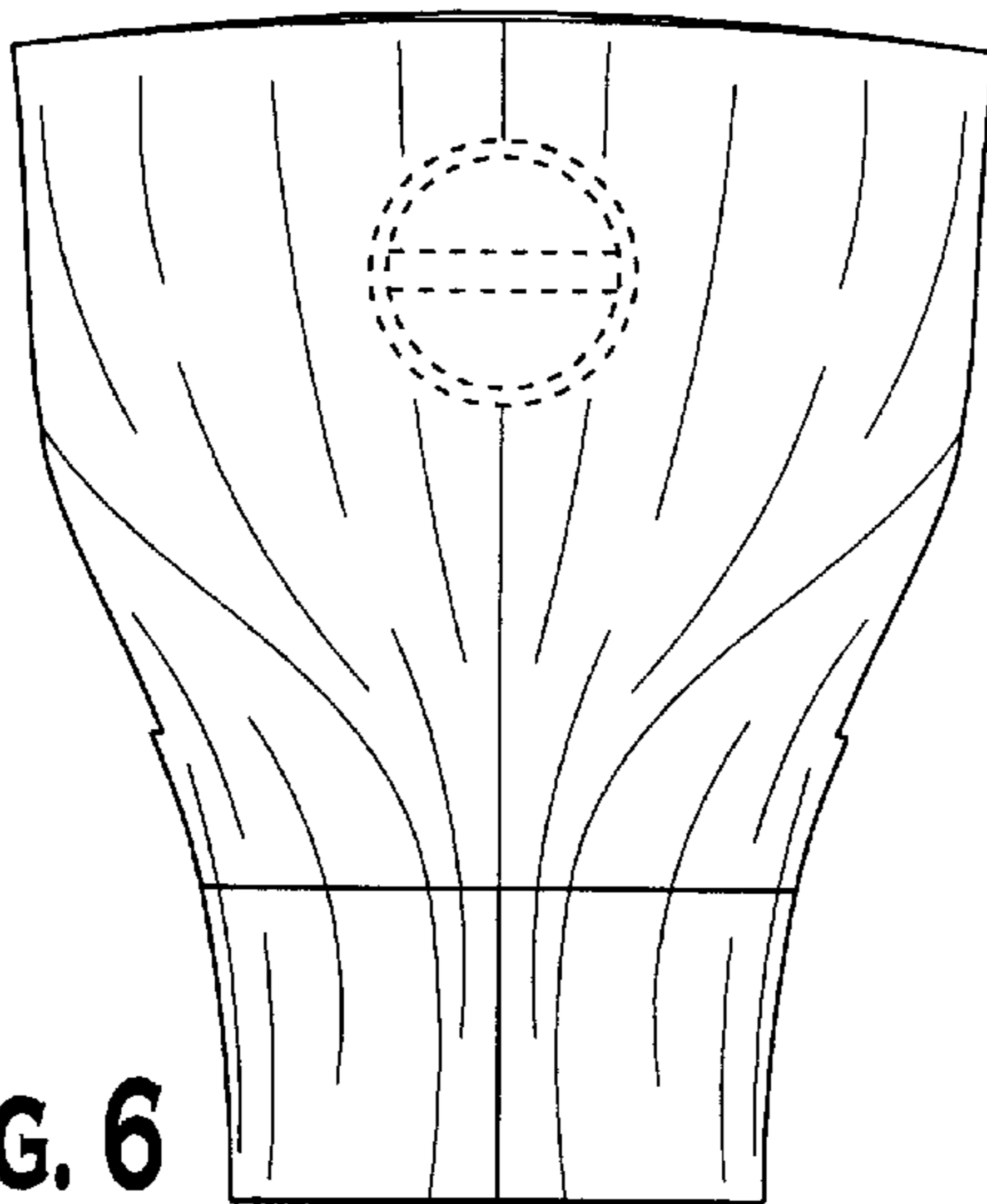


FIG. 7

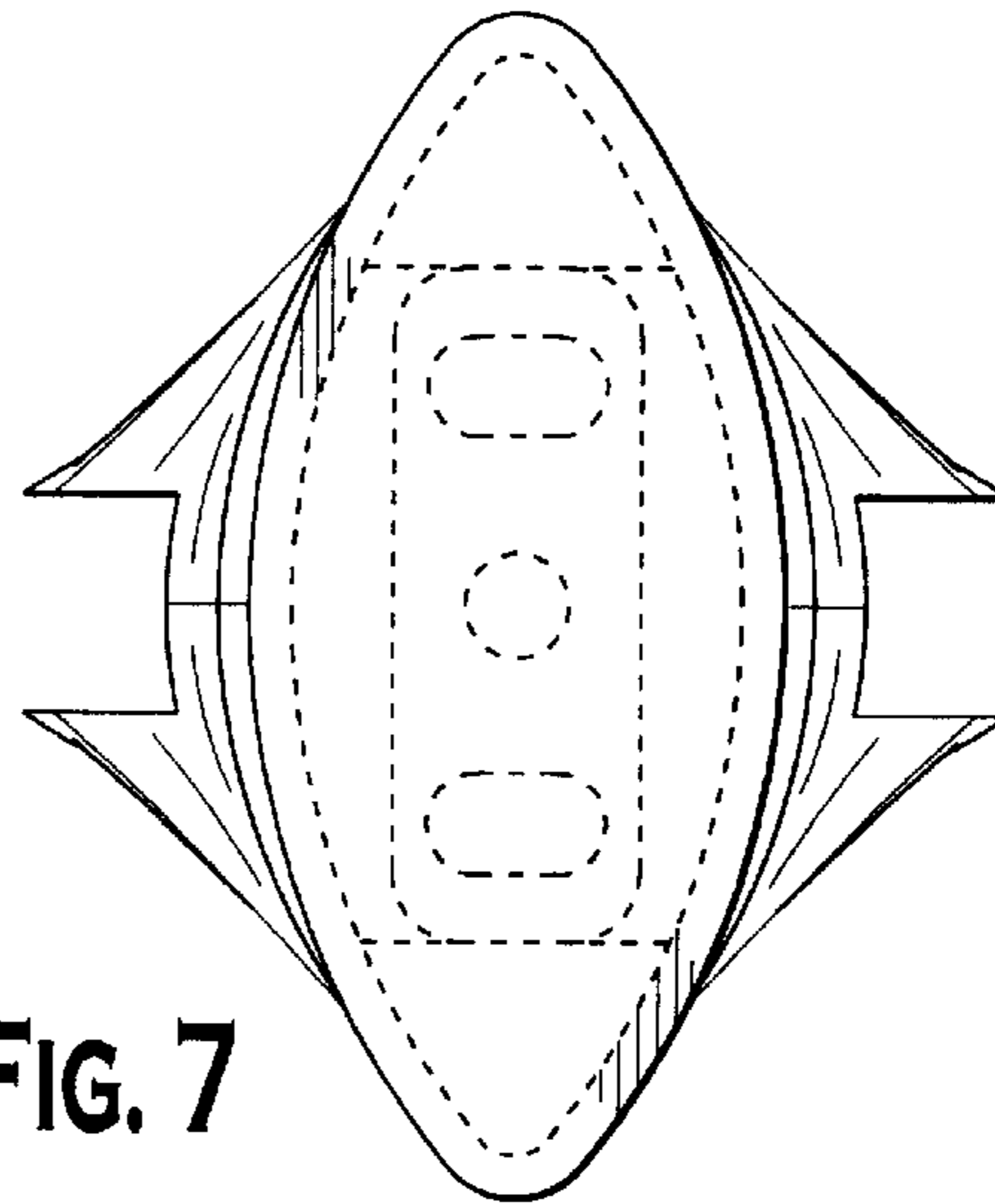


FIG. 8

