



US00D515405S

(12) **United States Design Patent**
Pinzariu et al.

(10) **Patent No.: US D515,405 S**

(45) **Date of Patent: ** Feb. 21, 2006**

(54) **SUPPORT LEG**

D472,742 S * 4/2003 Chalmers et al. D6/498
D480,239 S * 10/2003 Risdall D6/495

(75) Inventors: **Elena Pinzariu**, 5444 Avonlea Pl.,
Antelope, CA (US) 95843; **Liviu**
Pinzariu, Antelope, CA (US)

* cited by examiner

Primary Examiner—Holly H. Baynham

(73) Assignee: **Elena Pinzariu**, Antelope, CA (US)

(57) **CLAIM**

(**) Term: **14 Years**

The ornamental design for a support leg, as shown and described.

(21) Appl. No.: **29/216,505**

DESCRIPTION

(22) Filed: **Nov. 3, 2004**

FIG. 1 is a perspective view of a support leg, showing our new design.

(51) **LOC (8) Cl.** **08-05**

FIG. 2 is a bottom plan view thereof.

(52) **U.S. Cl.** **D8/380**

FIG. 3 is an end view, the other end being a mirror image thereof.

(58) **Field of Classification Search** D6/495,
D6/498; 108/153.1, 155, 156, 157.1, 161,
108/188; 248/188, 188.1, 188.7, 188.8

FIG. 4 is a side view, the other side being a mirror image thereof.

See application file for complete search history.

FIG. 5 is a top plan view thereof; and,

FIG. 6 is a reduced scale perspective view in a possible, preferred environment.

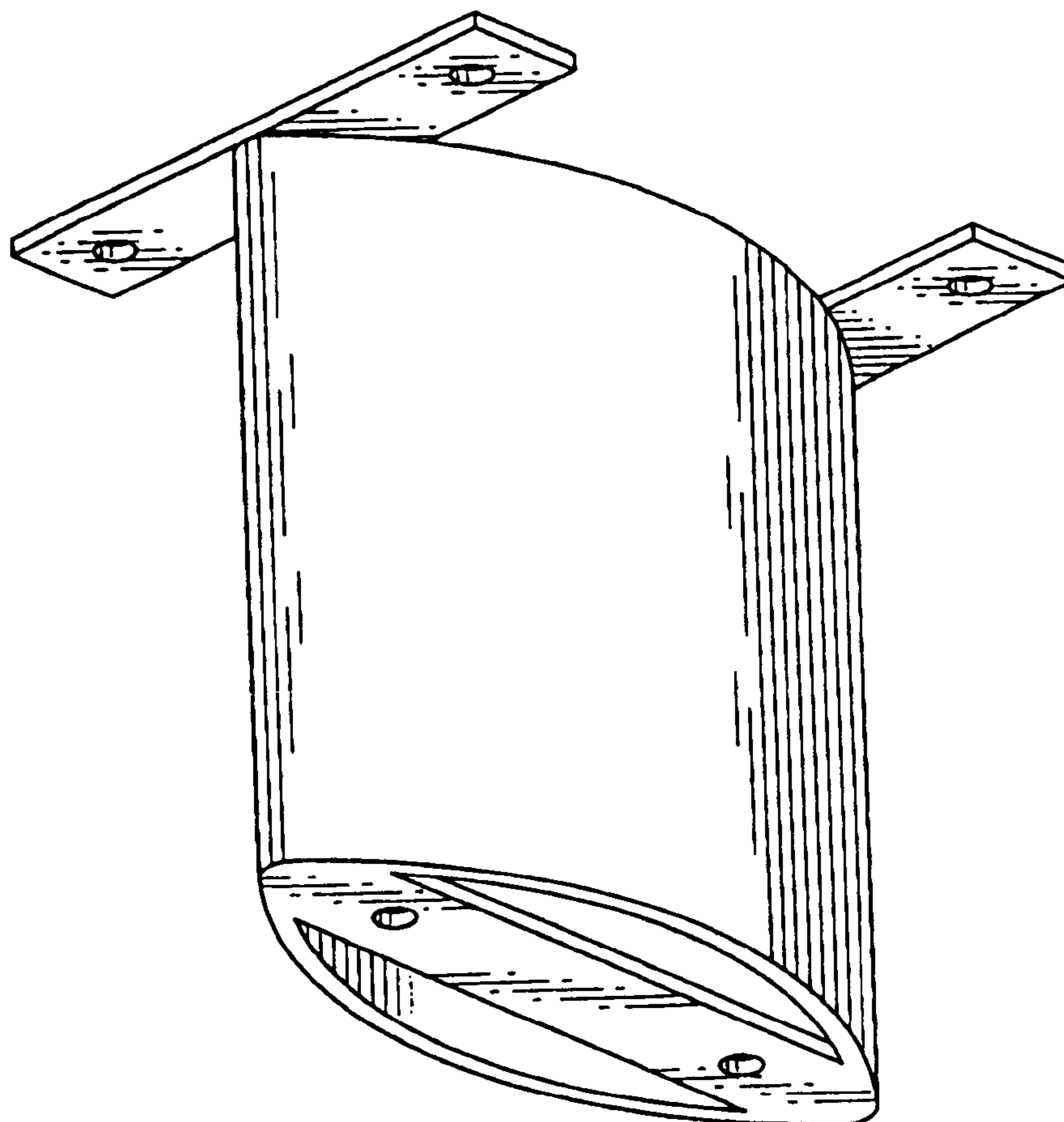
(56) **References Cited**

The broken-line showing of environmental structure in FIG. 6 is for illustrative purposes only and forms no part of the claimed design.

U.S. PATENT DOCUMENTS

D293,987 S * 2/1988 Raftery D6/499
D325,141 S * 4/1992 Glasser D6/495
D412,256 S * 7/1999 Gutsell D6/495

1 Claim, 2 Drawing Sheets



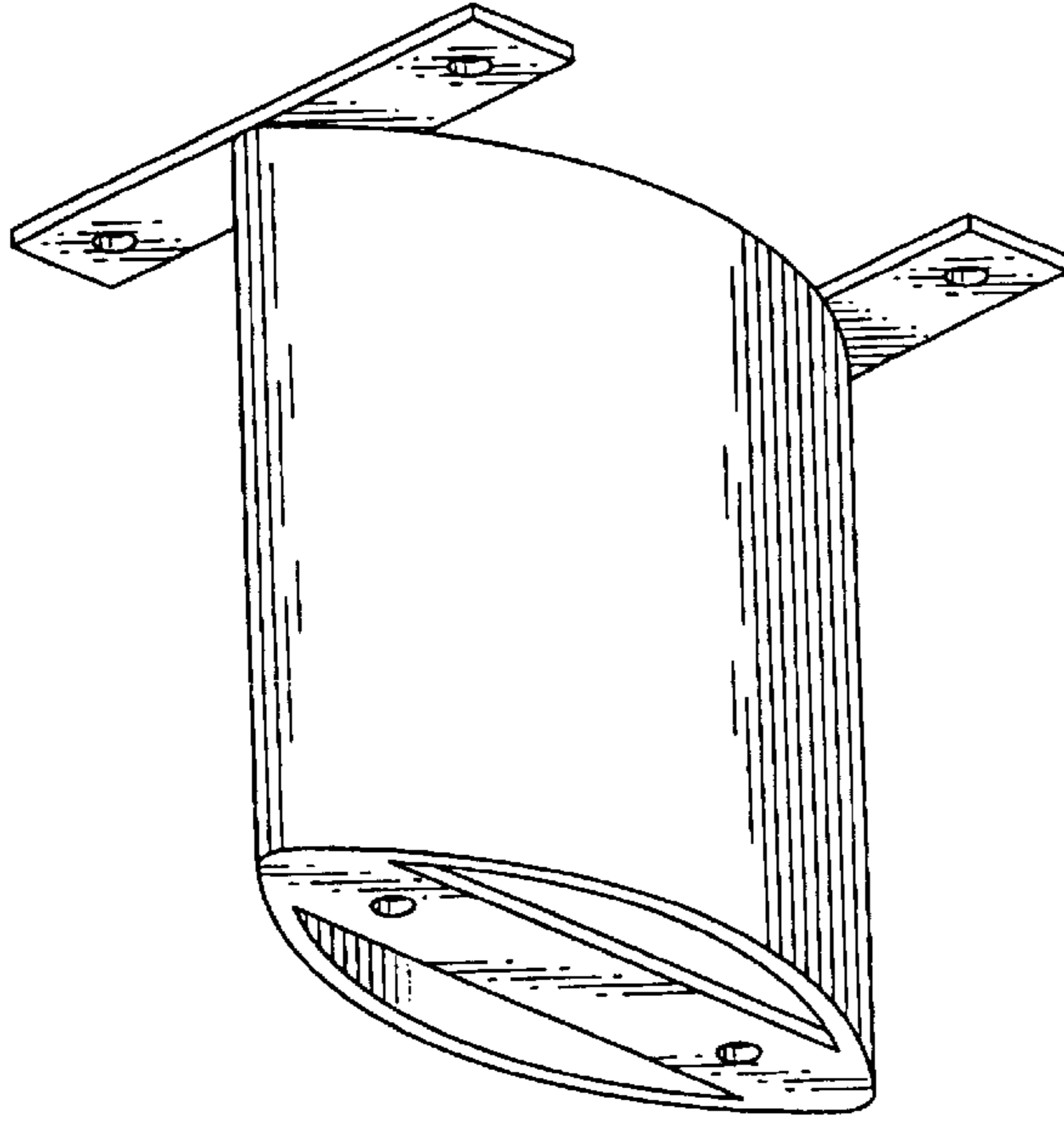


Fig. 1

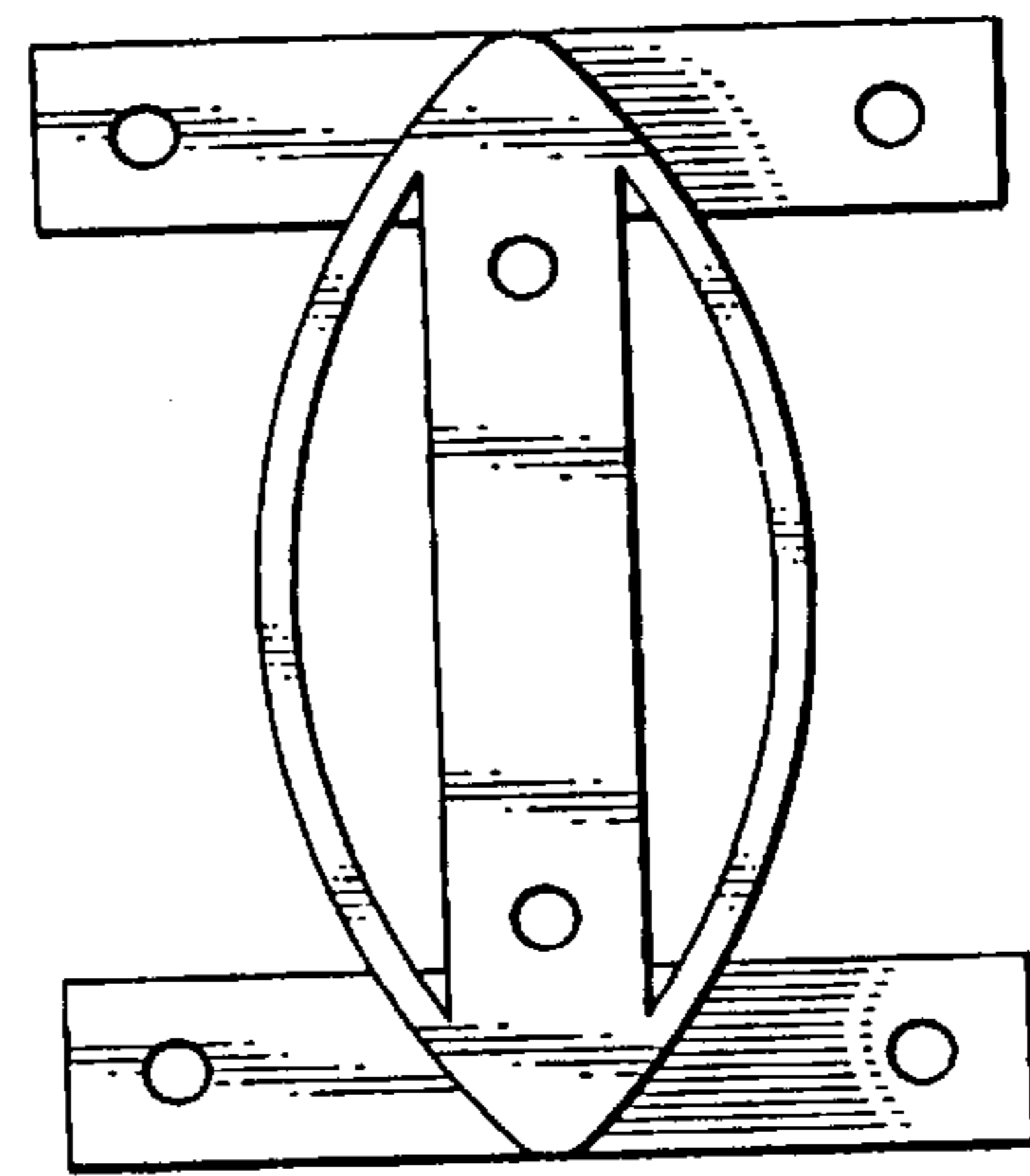


Fig. 2

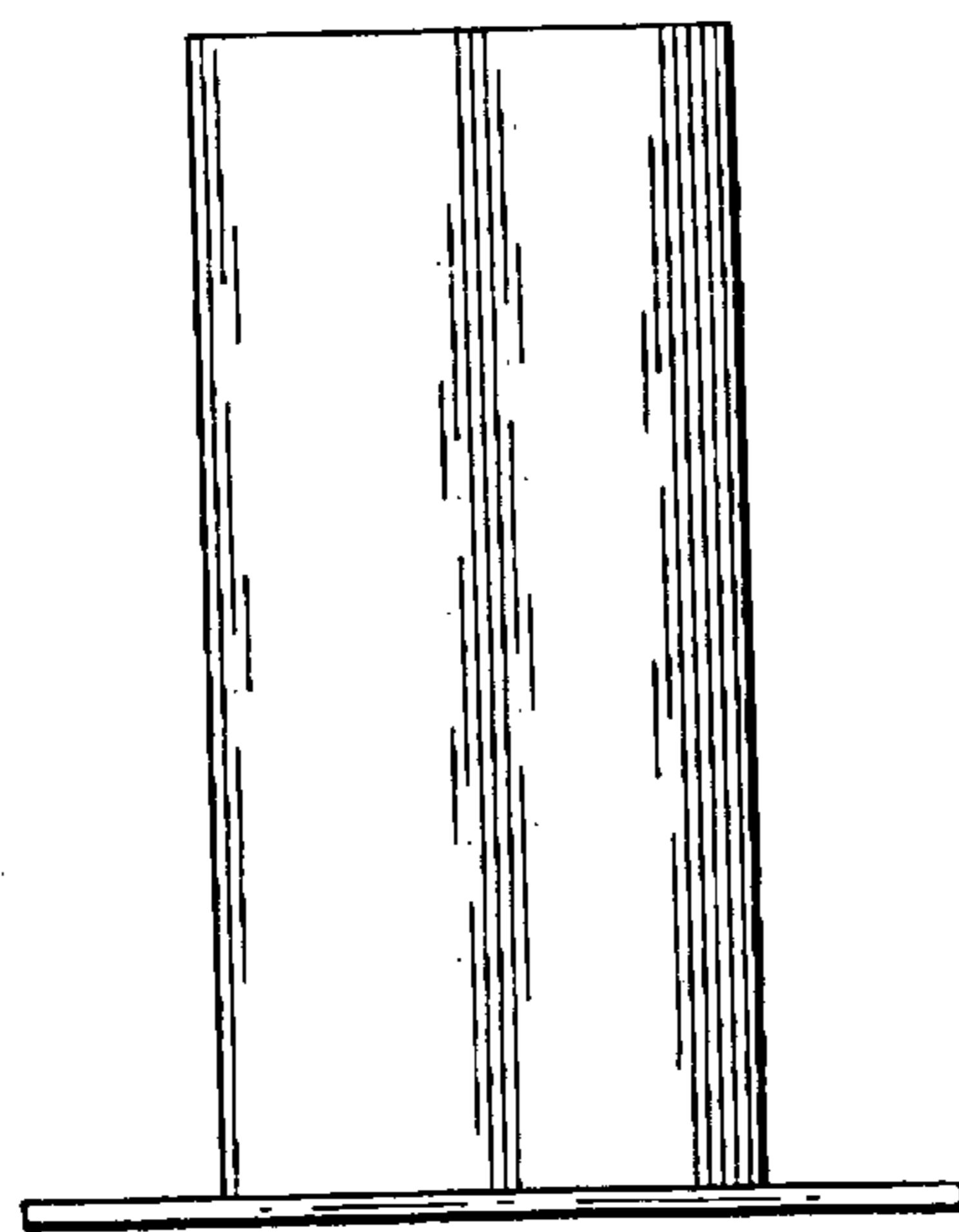


Fig. 3

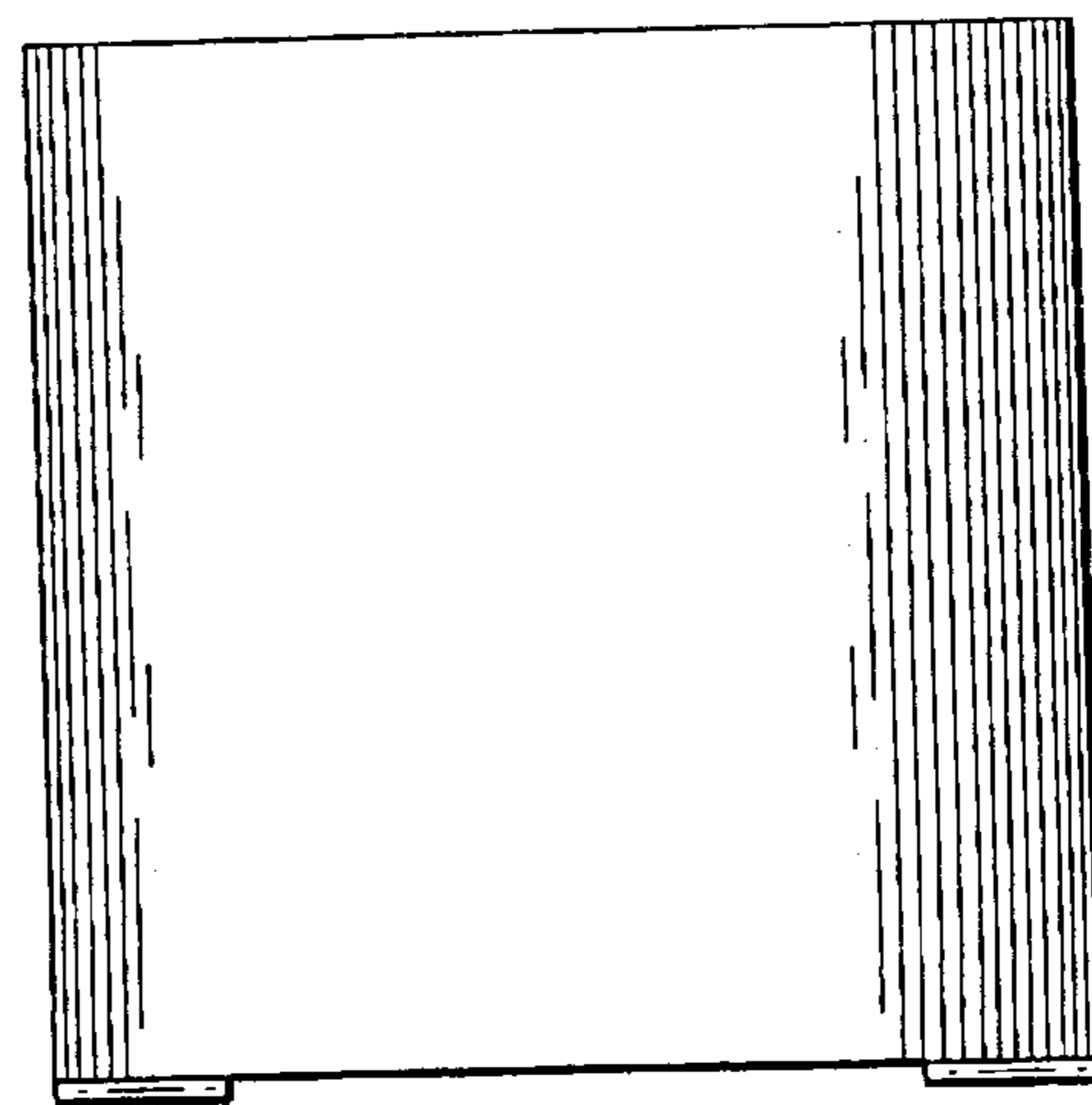


Fig. 4

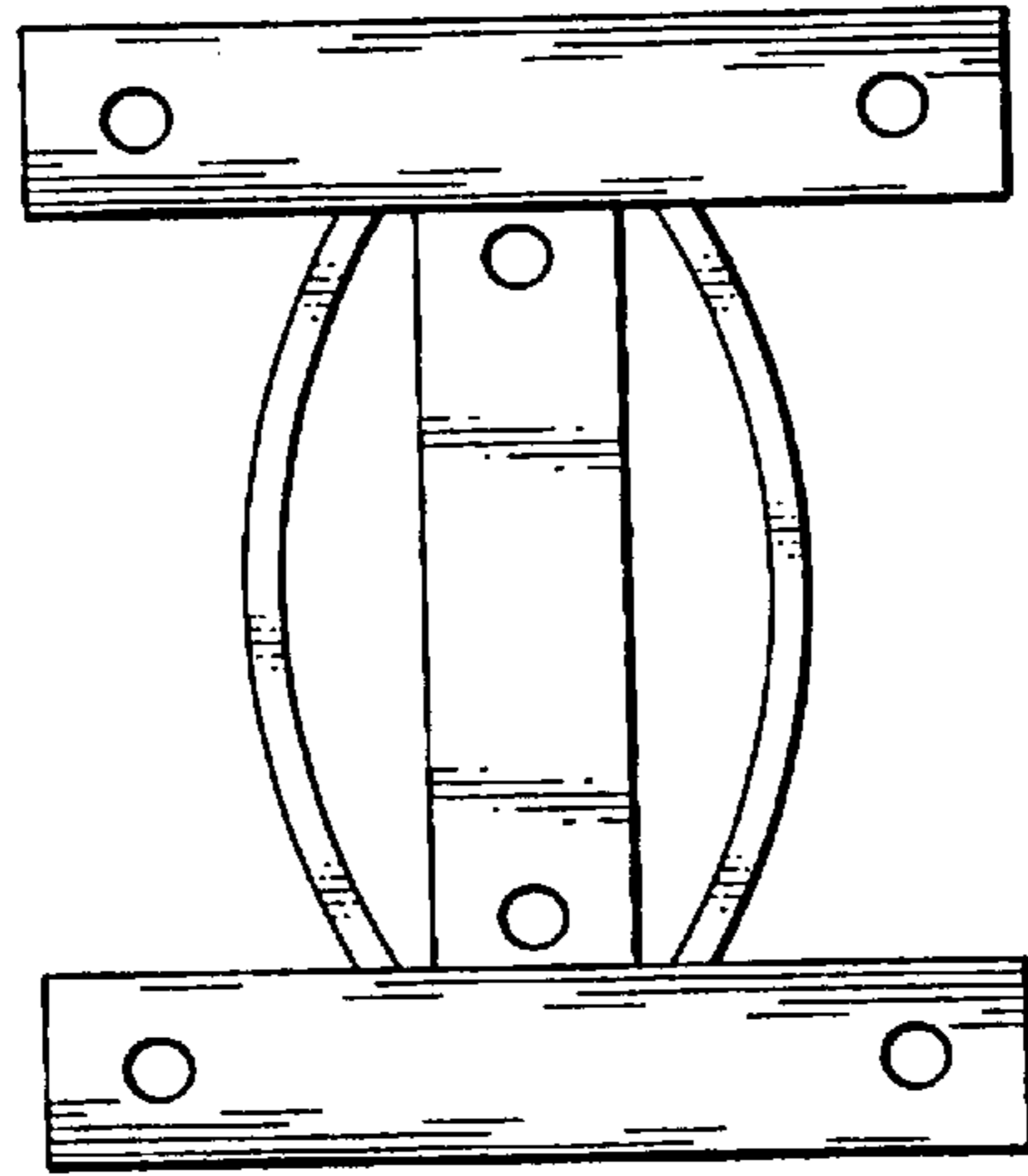


Fig. 5

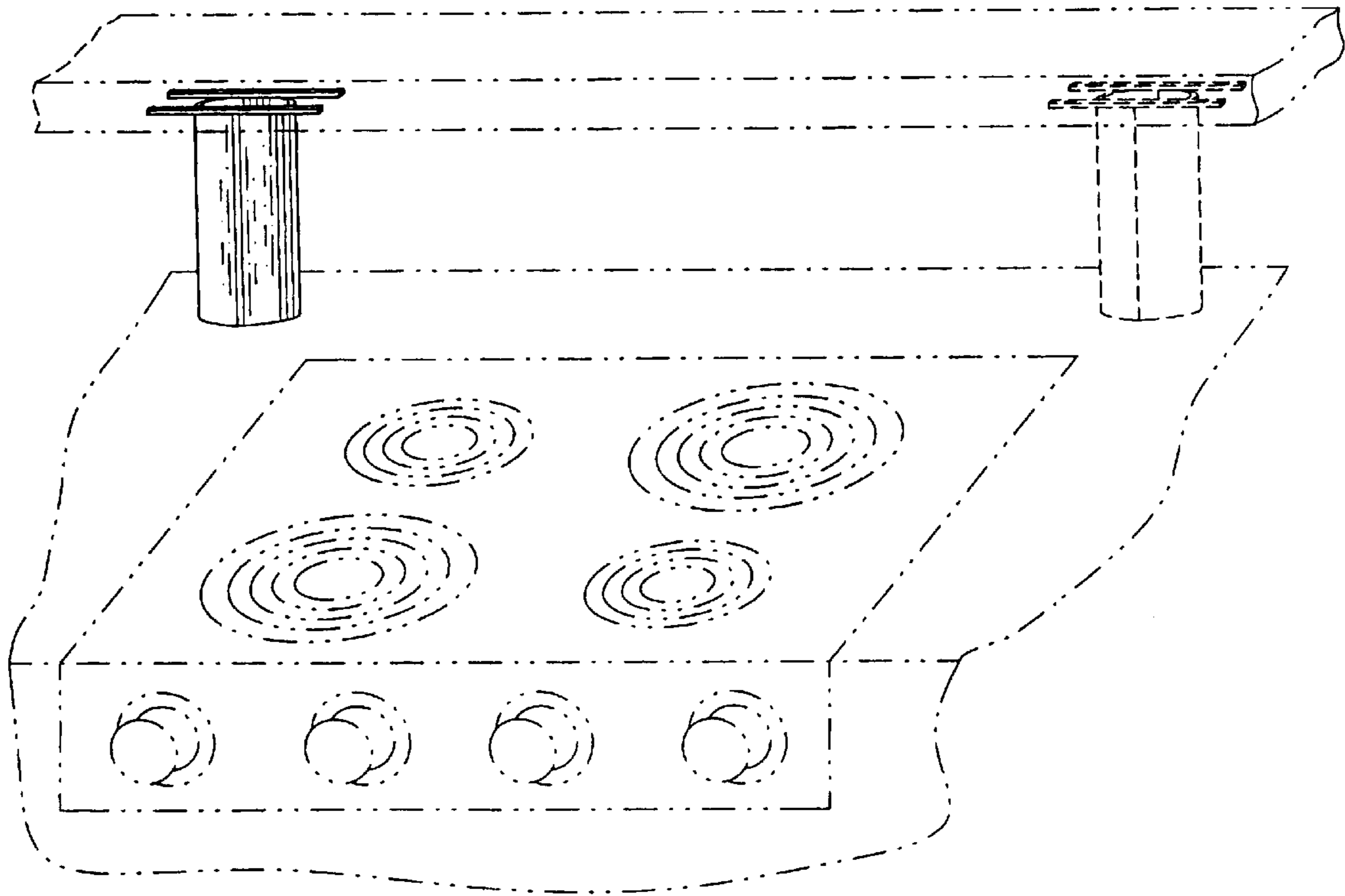


Fig. 6