



US00D515403S

(12) **United States Design Patent**
Wang

(10) **Patent No.:** **US D515,403 S**
(45) **Date of Patent:** **** Feb. 21, 2006**

- (54) **FIXTURE FOR A HOOK**
- (76) **Inventor:** **Sam S. Wang**, No. 26, Tou-Kung 12th Rd., Tou-Liu Industrial Park, Tou-Liu City, Yun-Lin Hsien (TW)
- (**) **Term:** **14 Years**
- (21) **Appl. No.:** **29/195,001**
- (22) **Filed:** **Dec. 3, 2003**
- (51) **LOC (8) Cl.** **08-05**
- (52) **U.S. Cl.** **D8/367**
- (58) **Field of Classification Search** D8/367, D8/349; D26/138; 248/300, 496
See application file for complete search history.

- D302,108 S * 7/1989 Fenton D8/373
- D416,471 S * 11/1999 Wurdack D8/363
- D495,588 S * 9/2004 Wurdack D8/367

* cited by examiner

Primary Examiner—Holly H. Baynham
(74) *Attorney, Agent, or Firm*—Marger Johnson & McCollom, P.C.

(57) **CLAIM**

The ornamental design for fixture for a hook, as shown and described.

DESCRIPTION

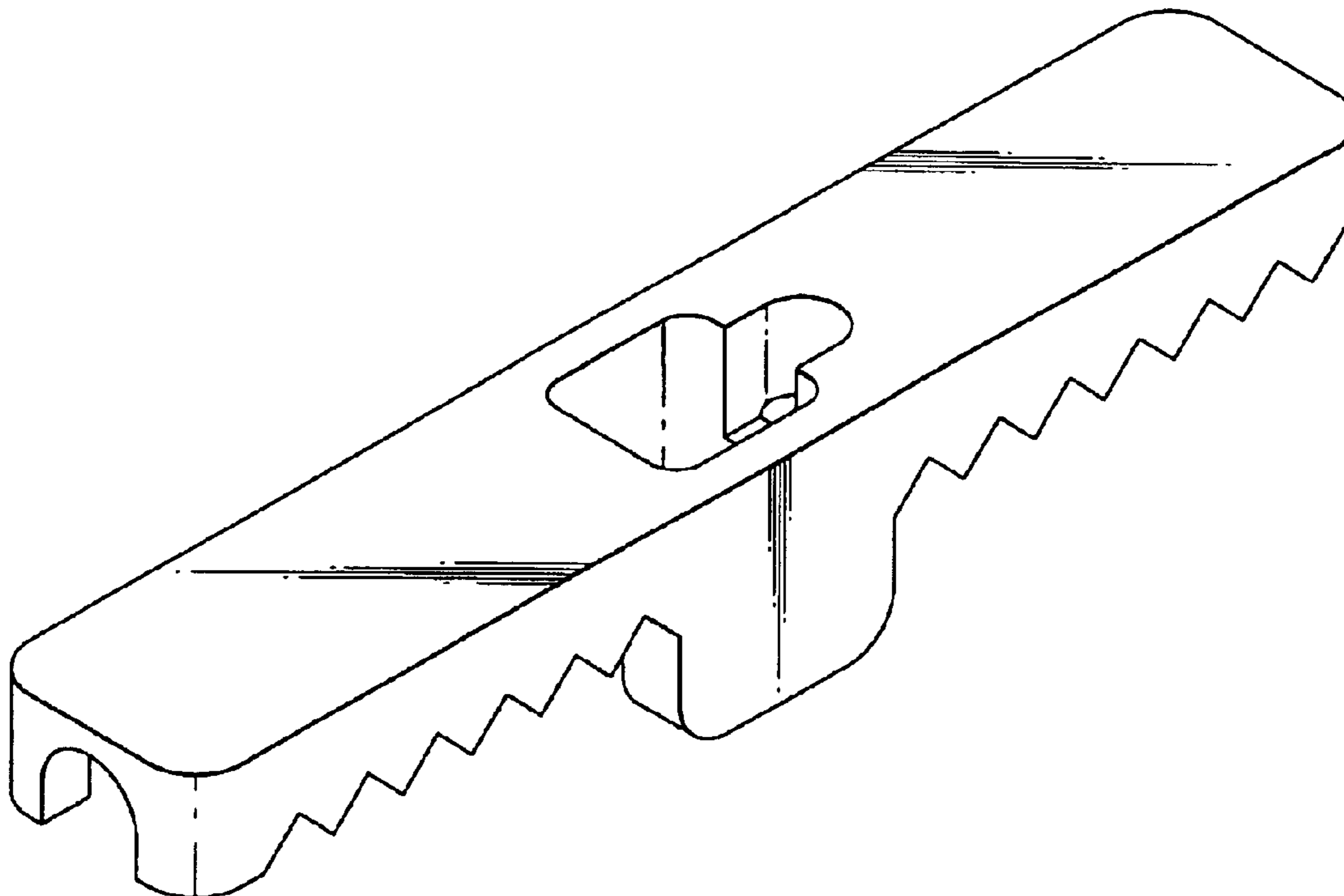
FIG. 1 is a perspective view of fixture for a hook showing my new design;
FIG. 2 is a front elevational view thereof;
FIG. 3 is a rear elevational view thereof;
FIG. 4 is a left side elevational view thereof;
FIG. 5 is a right side elevational view thereof;
FIG. 6 is a top plan view thereof; and,
FIG. 7 is a bottom plan view thereof.

(56) **References Cited**

U.S. PATENT DOCUMENTS

- 3,871,609 A * 3/1975 Le Roy 248/496
- 4,387,872 A * 6/1983 Hogue 248/221.11
- 4,420,138 A * 12/1983 Sobel 248/496
- D282,525 S * 2/1986 Samson et al. D8/373

1 Claim, 4 Drawing Sheets



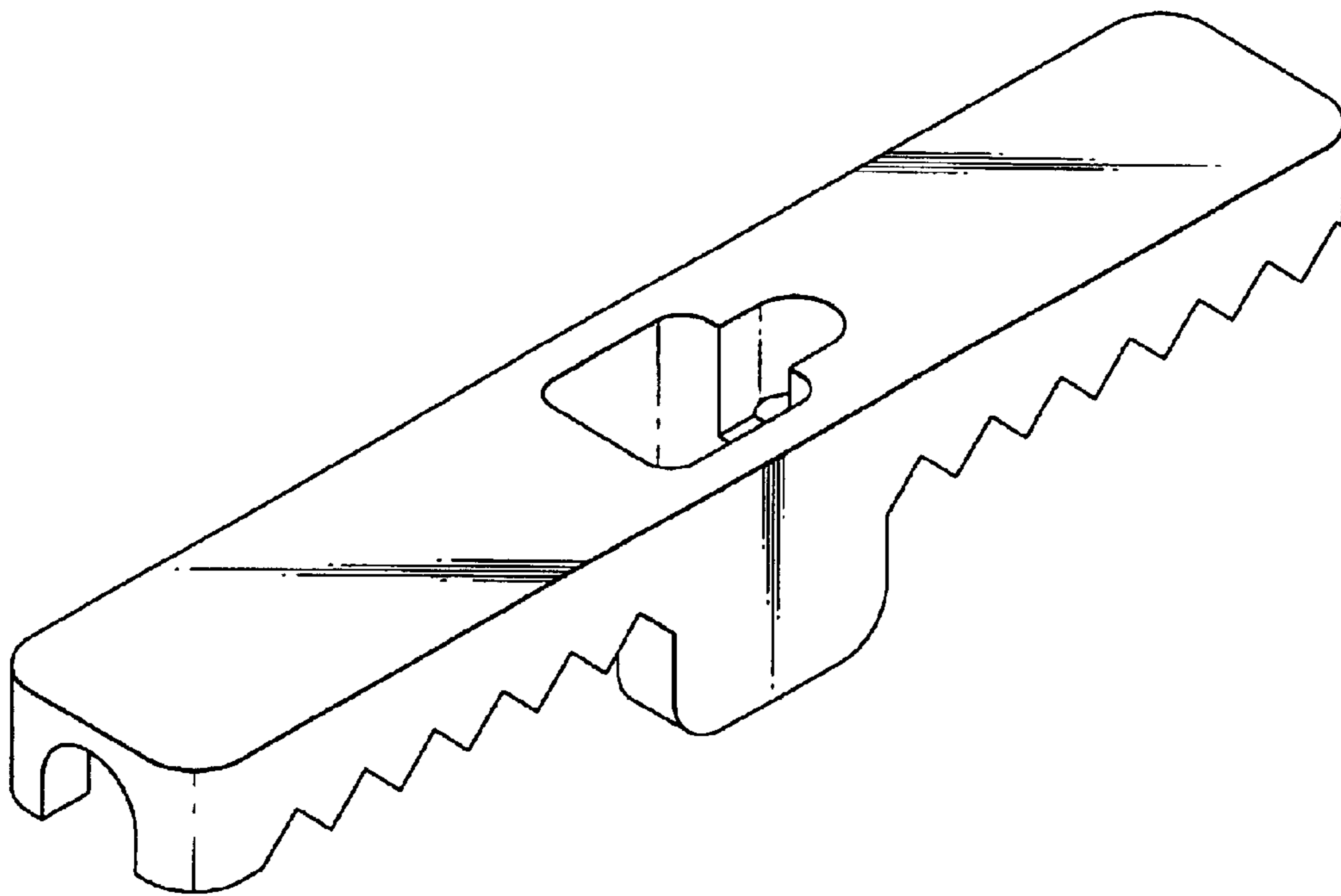


FIG. 1

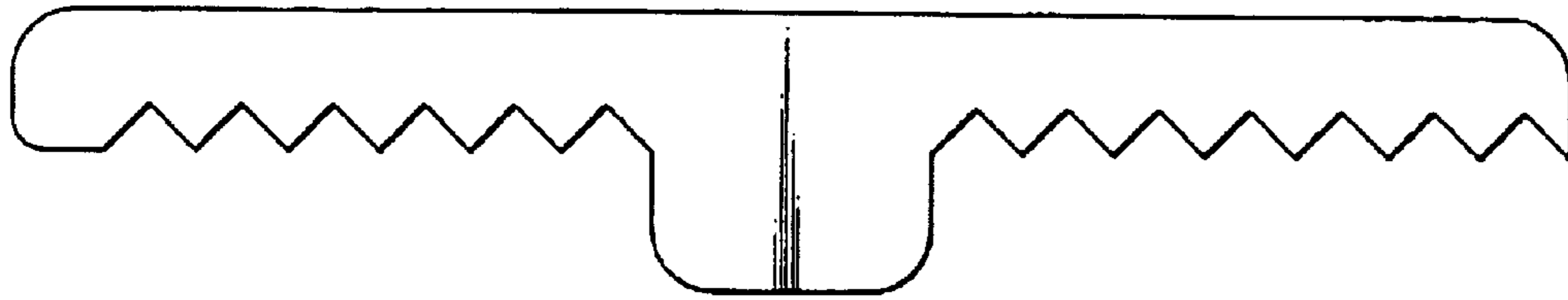


FIG. 2

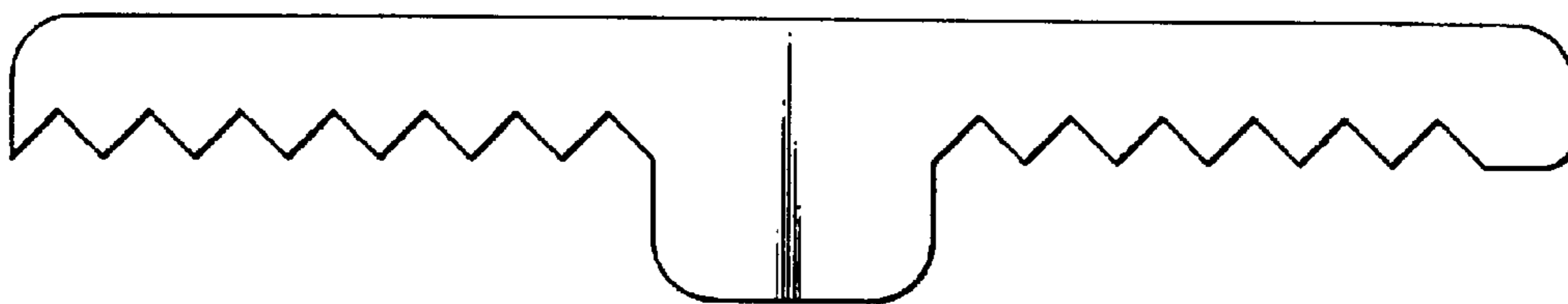


FIG. 3

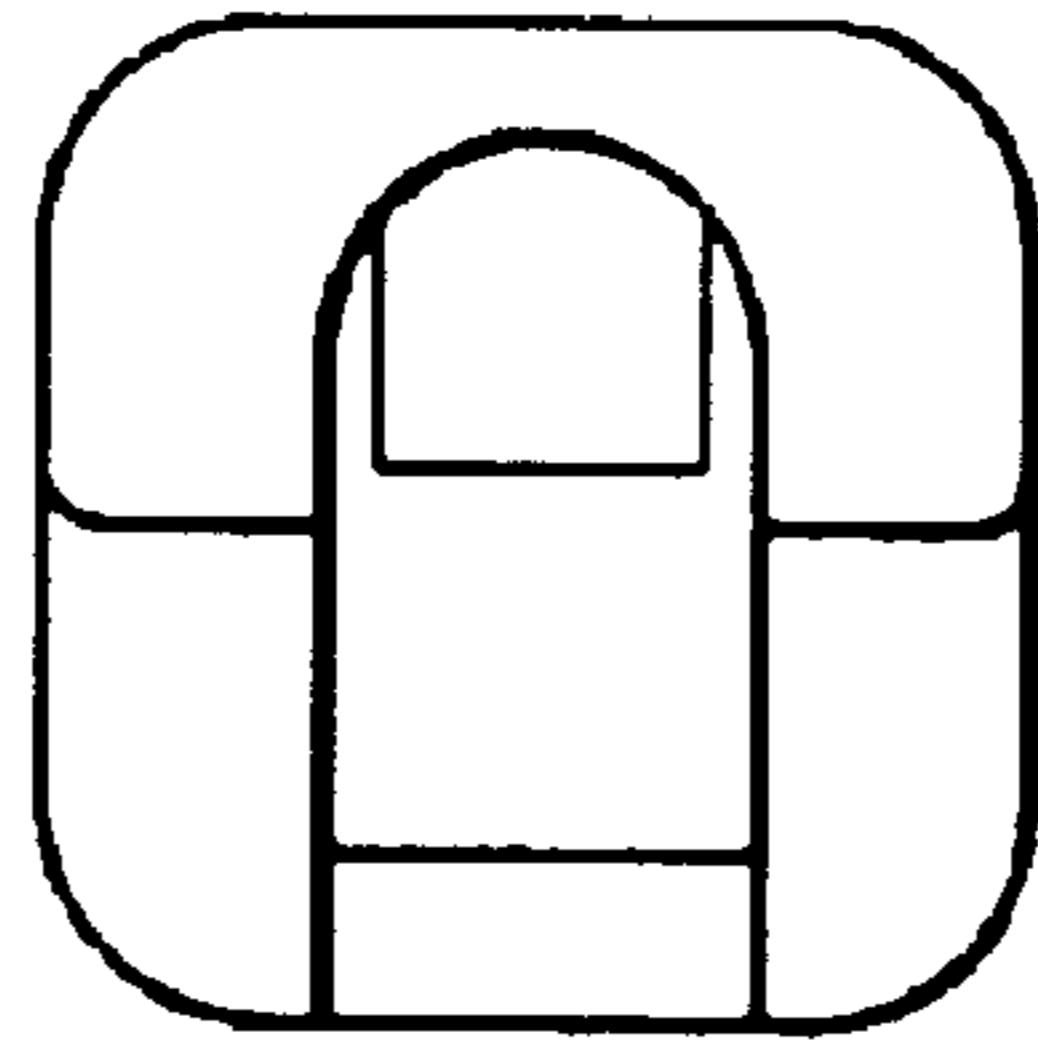


FIG. 4

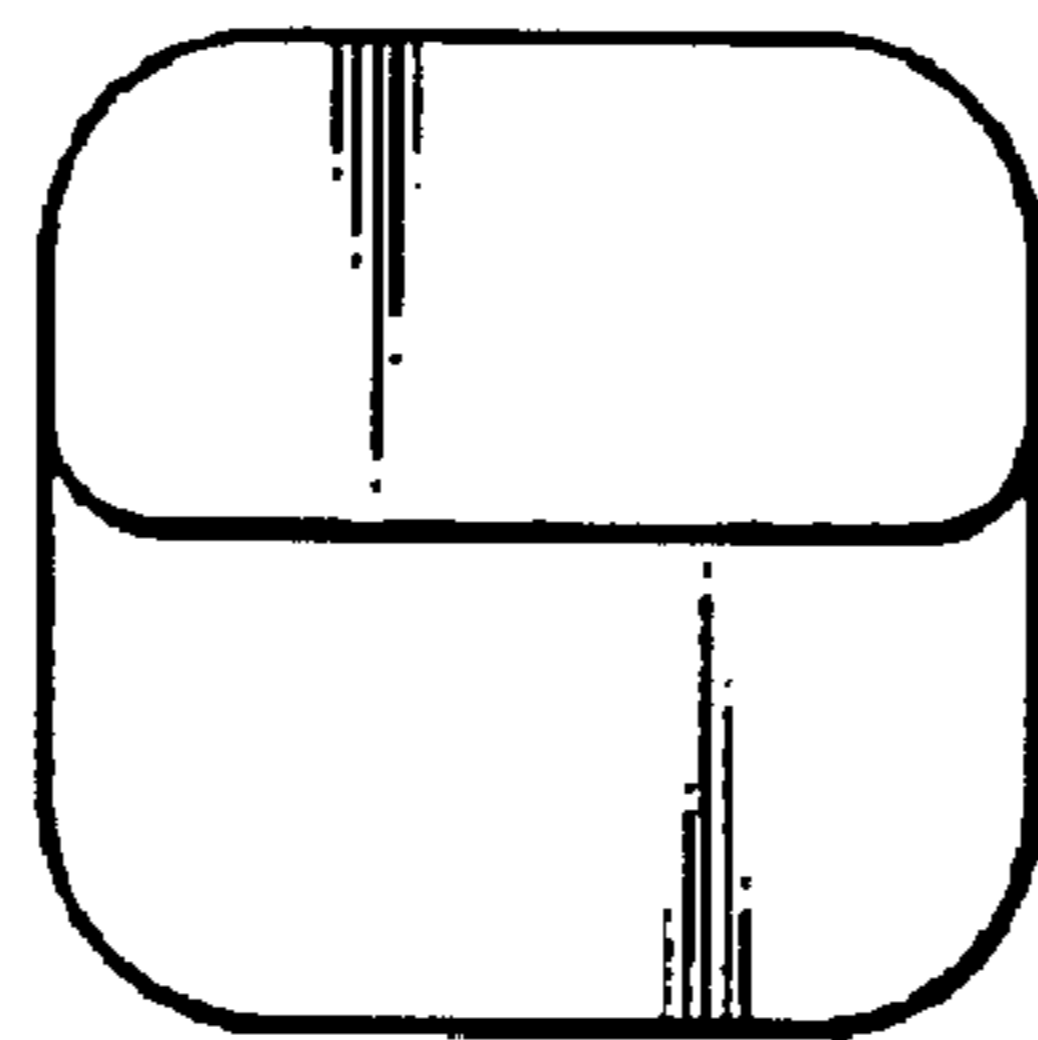


FIG. 5

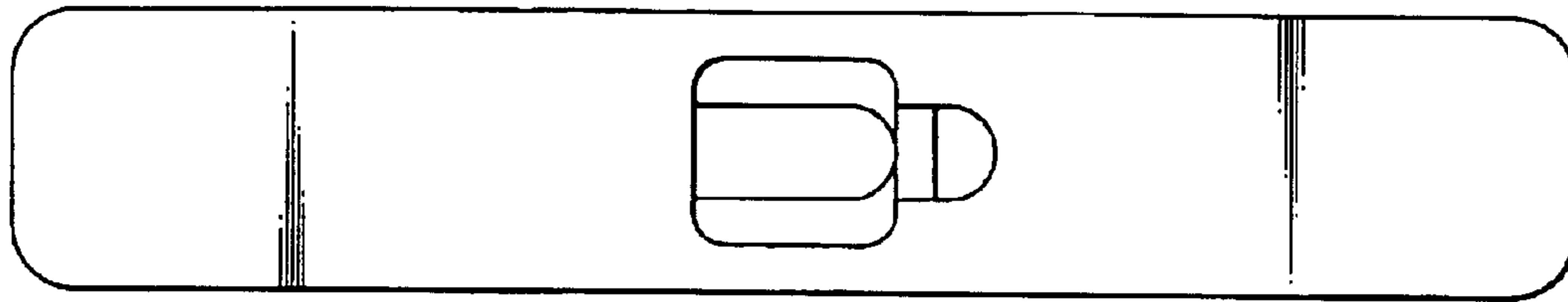


FIG. 6

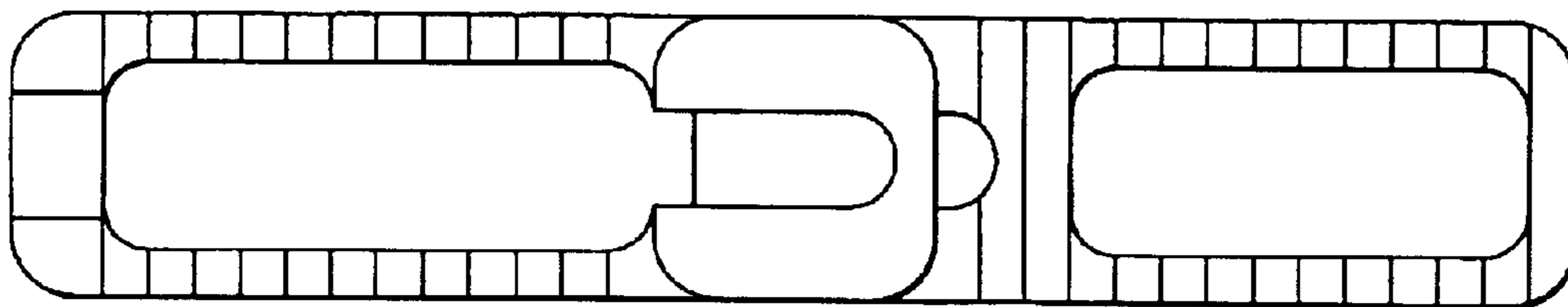


FIG. 7