



US00D515402S

(12) **United States Design Patent**
Wilhelm

(10) **Patent No.:** **US D515,402 S**

(45) **Date of Patent:** **** Feb. 21, 2006**

(54) **SURFACE CONFIGURATION OF A KEY**

(75) **Inventor:** **Anke Wilhelm, Stuttgart (DE)**

(73) **Assignee:** **Dr. Ing. h.c.F. Porsche
Aktiengesellschaft, Stuttgart (DE)**

(**) **Term:** **14 Years**

(21) **Appl. No.:** **29/210,439**

(22) **Filed:** **Aug. 2, 2004**

(30) **Foreign Application Priority Data**

Feb. 3, 2004 (DE) 40400569

(51) **LOC (8) Cl.** **08-07**

(52) **U.S. Cl.** **D8/347**

(58) **Field of Classification Search** D8/330,
D8/331, 343, 347, 348; 70/344, 347, 336,
70/423, 402-408, 393

See application file for complete search history.

(56) **References Cited**

U.S. PATENT DOCUMENTS

5,823,028 A * 10/1998 Mizuno et al. 70/278.3

D400,779 S * 11/1998 Chen D8/347

5,832,761 A * 11/1998 Chen 70/395

D434,636 S * 12/2000 Van Den Acker D8/347

6,386,007 B1 * 5/2002 Johnson et al. 70/408

6,473,022 B1 * 10/2002 Wu 341/176

6,519,988 B1 * 2/2003 Wu 70/358

6,637,245 B1 * 10/2003 Bolton 70/408

* cited by examiner

Primary Examiner—Prabhakar Deshmukh

(74) *Attorney, Agent, or Firm*—Crowell & Moring LLP

(57) **CLAIM**

The ornamental design for a surface configuration of a key,
as shown and described.

DESCRIPTION

FIG. 1 is a front view of a surface configuration of a key
according to my novel design;

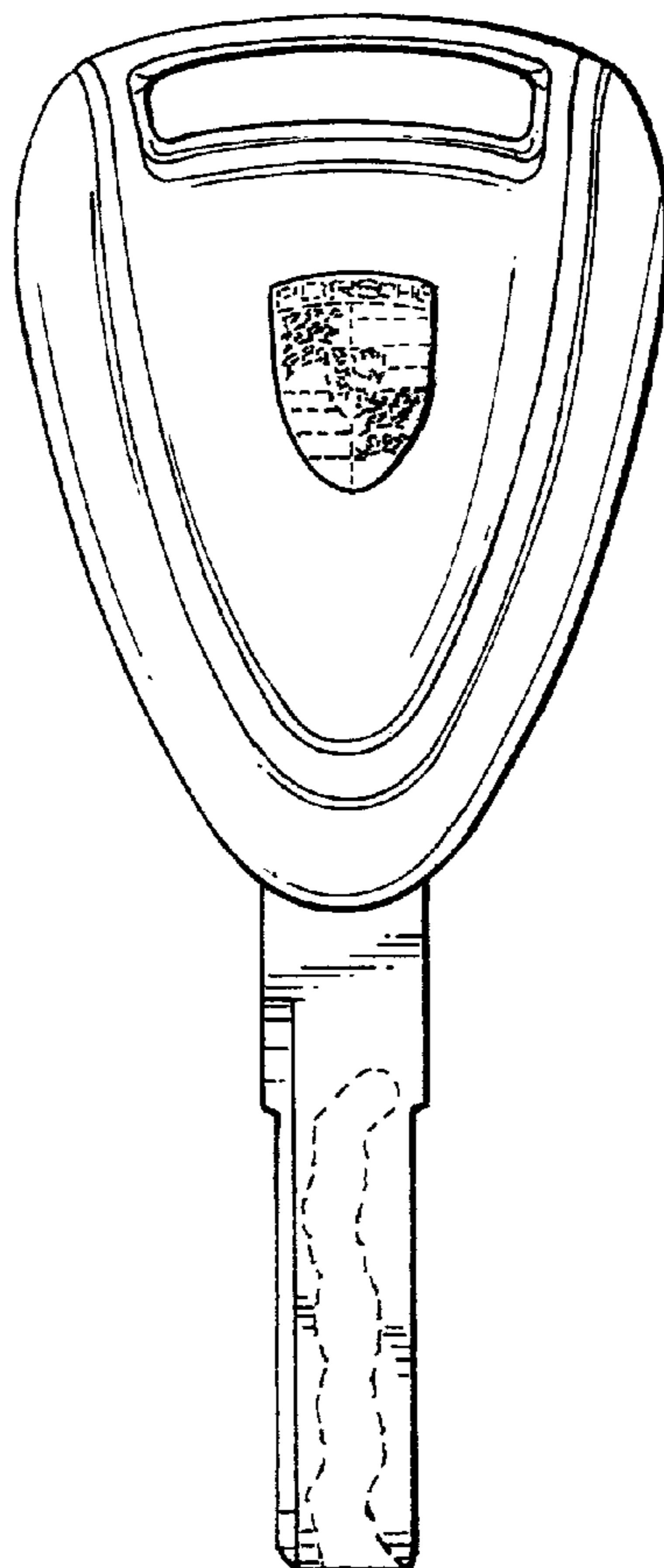
FIG. 2 is a rear view of the surface configuration of a key
according to my novel design;

FIG. 3 is a side view of the surface configuration of a key
according to my novel design; and,

FIG. 4 is a top view of the surface configuration of a key
according to my novel design.

The broken lines are for illustrative purposes only and form
no part of the claimed design.

1 Claim, 1 Drawing Sheet



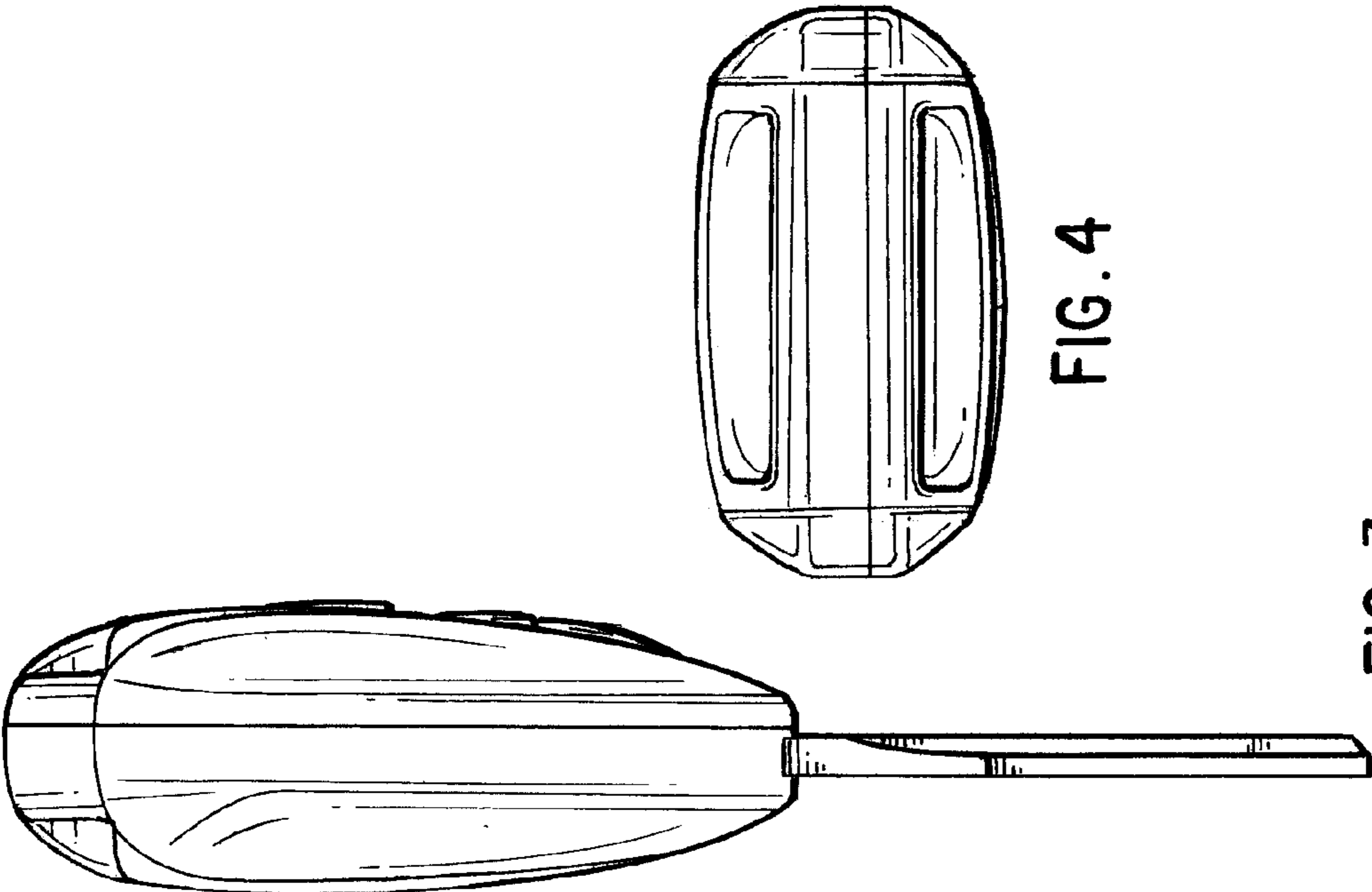


FIG. 1

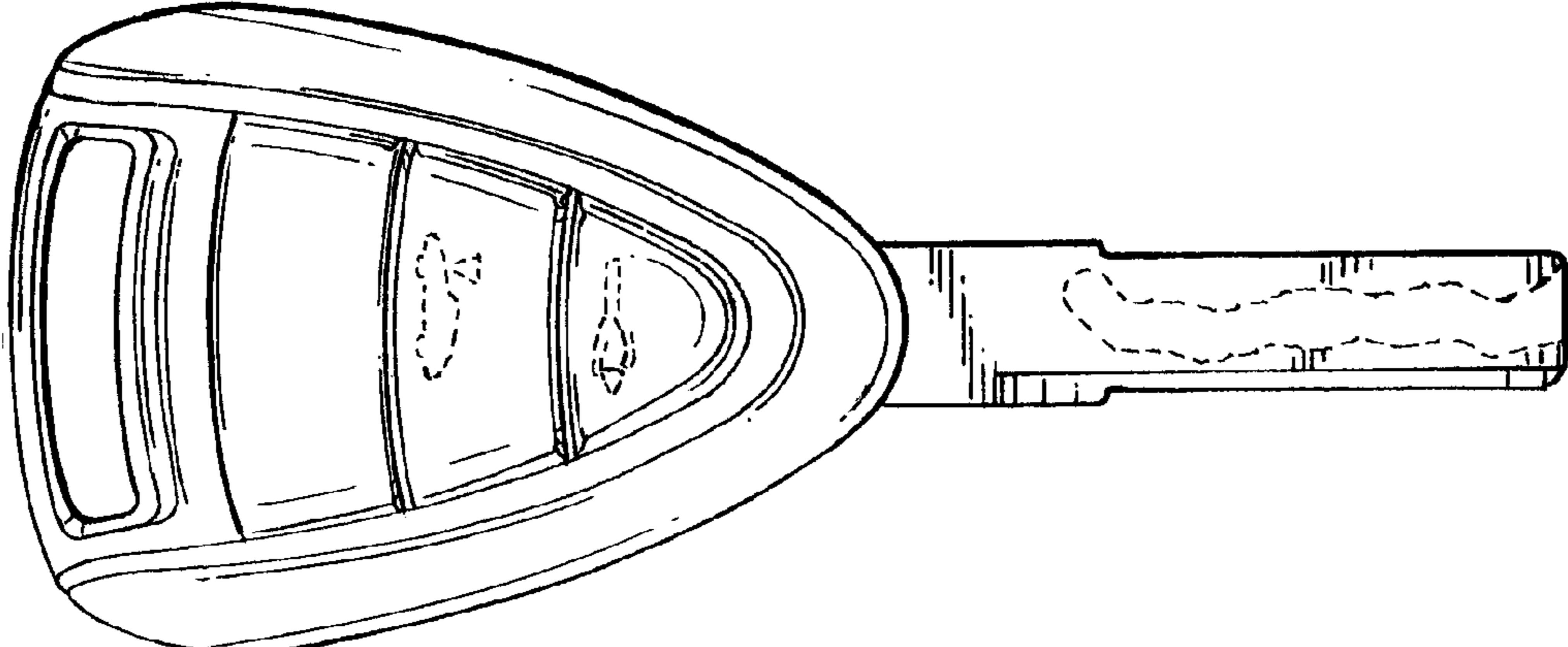


FIG. 2

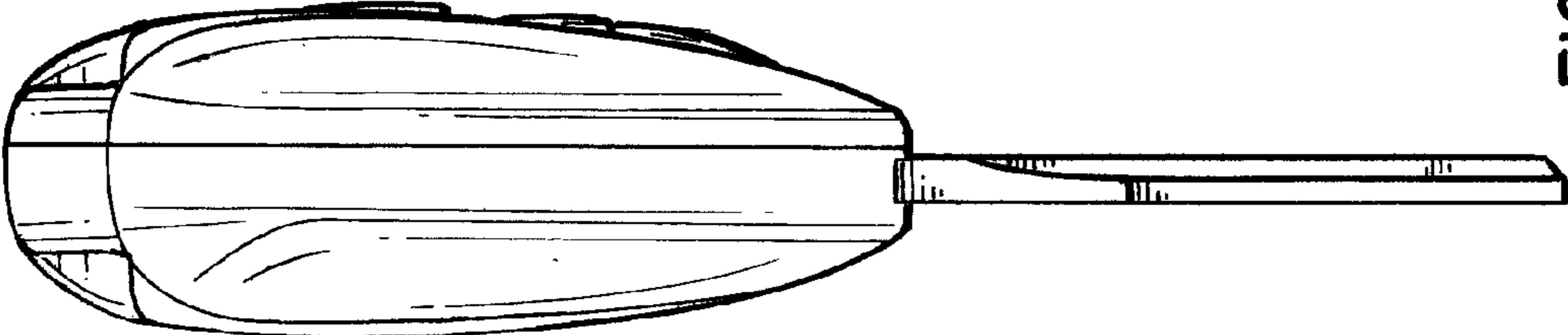


FIG. 3

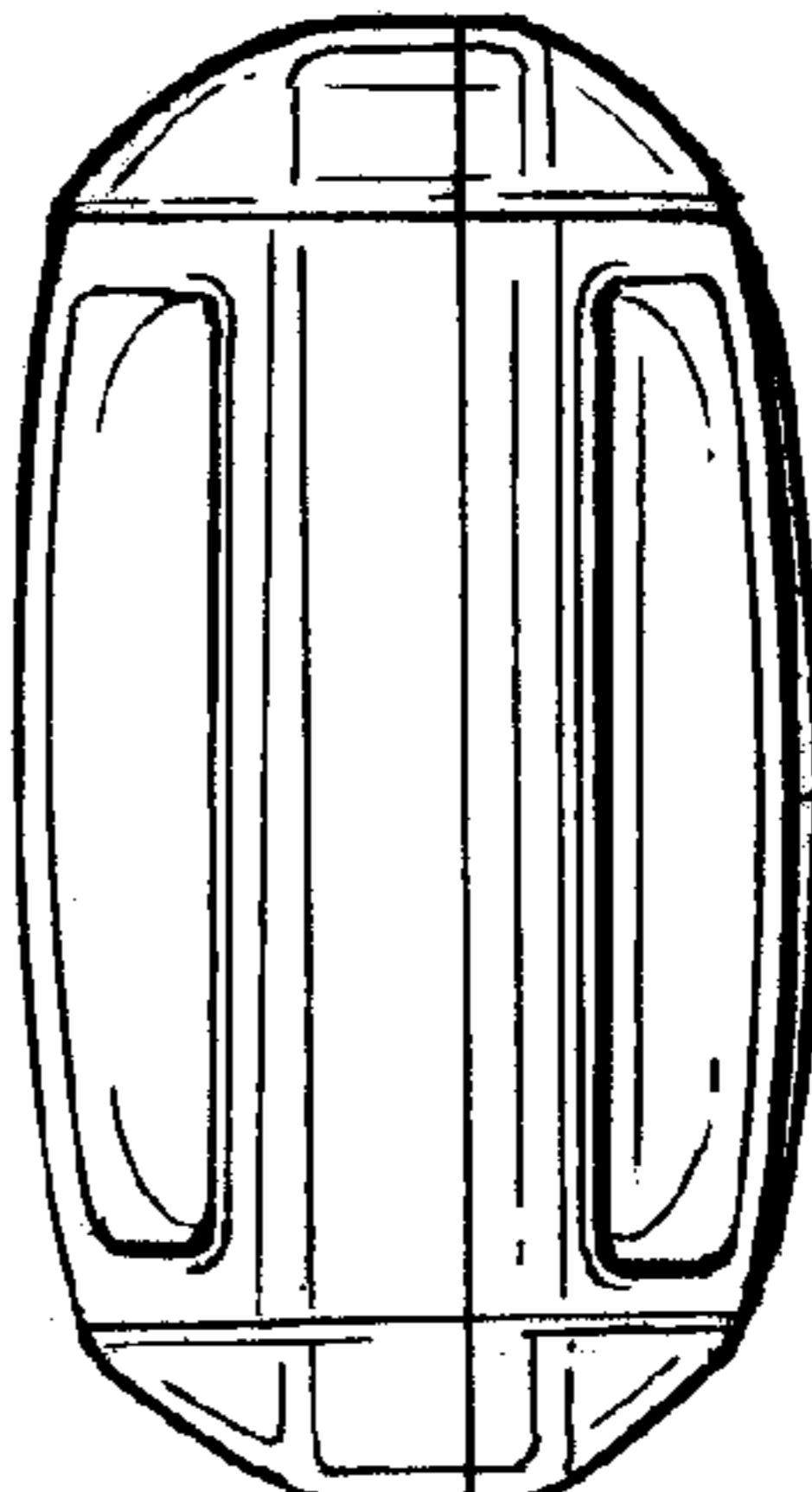


FIG. 4