



US00D515401S

(12) **United States Design Patent**  
**Osiecki et al.**

(10) **Patent No.: US D515,401 S**  
(45) **Date of Patent: \*\* Feb. 21, 2006**

(54) **BIOMETRIC INTERFACE FOR A LOCKING MECHANISM**

6,895,791 B2 \* 5/2005 Alexander et al. .... 70/277  
D505,947 S \* 6/2005 Penke et al. .... D14/302

(75) Inventors: **Scott W. Osiecki**, Skaneateles, NY (US); **Donwoong Kang**, Syracuse, NY (US)

\* cited by examiner

*Primary Examiner*—Prabhakar Deshmukh  
(74) *Attorney, Agent, or Firm*—Jaeckle Fleischmann & Mugel, LLP

(73) Assignee: **John D. Brush & Co., Inc.**, Rochester, NY (US)

(57) **CLAIM**

(\*\*) Term: **14 Years**

The ornamental design for a biometric interface for a locking mechanism, as shown and described.

(21) Appl. No.: **29/213,507**

**DESCRIPTION**

(22) Filed: **Sep. 17, 2004**

(51) **LOC (8) Cl.** ..... **08-07**

(52) **U.S. Cl.** ..... **D8/343; D8/331**

(58) **Field of Classification Search** ..... D8/330,  
D8/331, 343, 346, 301; 70/14, 20, 57, 58,  
70/22, 158, 266, 277, 286, 291, 294, 448,  
70/51, 52, 416, 333 R, 271, 278.1, 280, 279.1;  
292/251, 5

See application file for complete search history.

FIG. 1 is a left front perspective view of our new biometric interface for a locking mechanism according to the present invention;

FIG. 2 is a front view of the biometric interface shown in FIG. 1;

FIG. 3 is a top view of the biometric interface shown in FIG. 1;

FIG. 4 is a bottom view of the biometric interface shown in FIG. 1;

FIG. 5 is a left side view of the biometric interface shown in FIG. 1; and,

FIG. 6 is a right side view of the biometric interface shown in FIG. 1.

The broken lines showing the lock handle and lock in FIGS. 1–6 are for illustrative purposes and form no part of the claimed design.

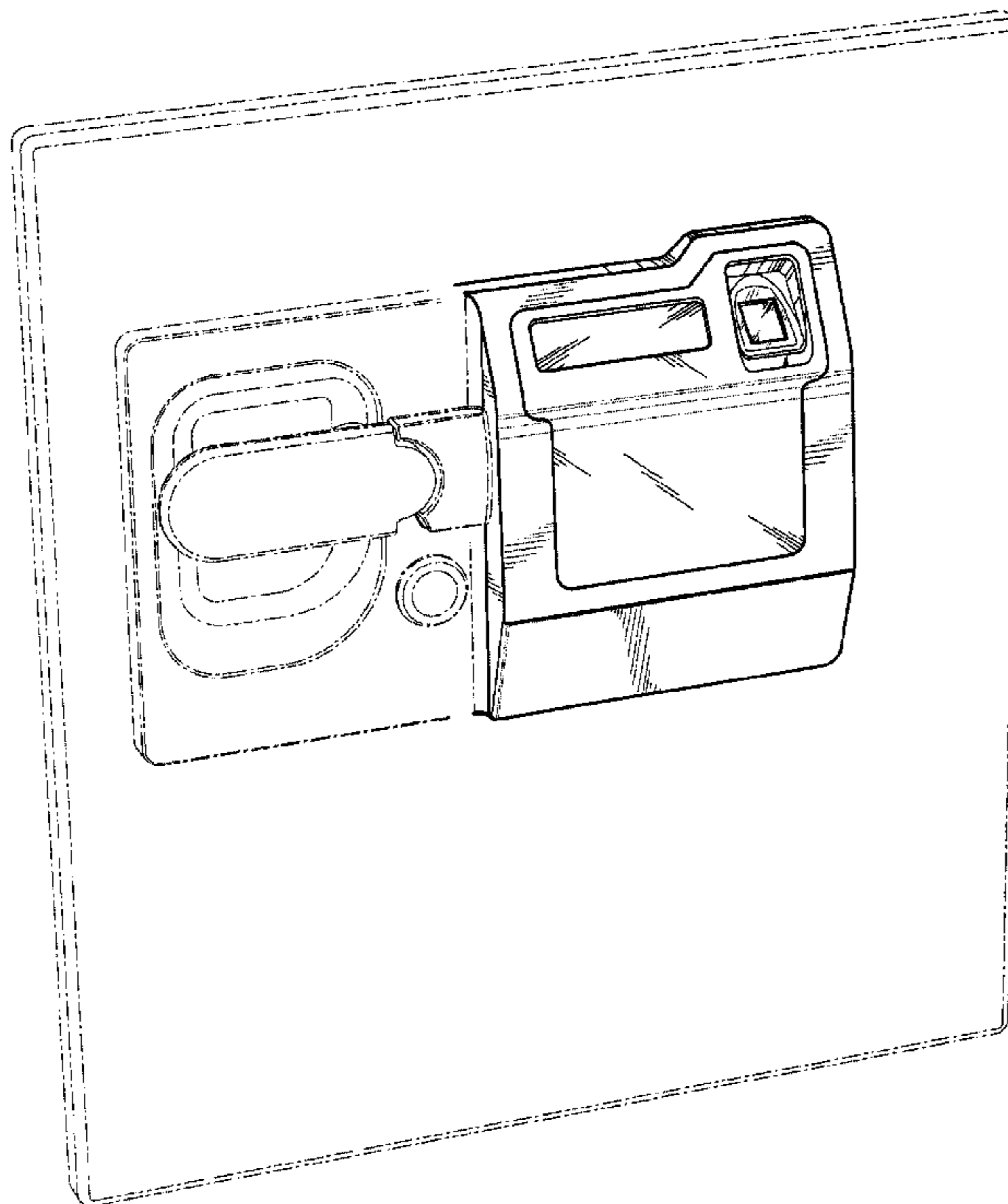
The broken line(s), which define the bounds of the claimed design, form no part thereof.

(56) **References Cited**

**U.S. PATENT DOCUMENTS**

D299,905	S	*	2/1989	Fish et al.	.....	D8/331
4,979,383	A	*	12/1990	Tully	.....	70/107
5,475,996	A	*	12/1995	Chen	.....	70/279.1
D405,345	S	*	2/1999	Hankel et al.	.....	D8/331
5,987,945	A	*	11/1999	Ruano Aramburu	.....	70/277
6,543,821	B1	*	4/2003	Weinerman et al.	.....	292/123
D501,131	S	*	1/2005	Oskamp et al.	.....	D8/331
6,865,913	B2	*	3/2005	Yamagishi	.....	70/224

**1 Claim, 6 Drawing Sheets**



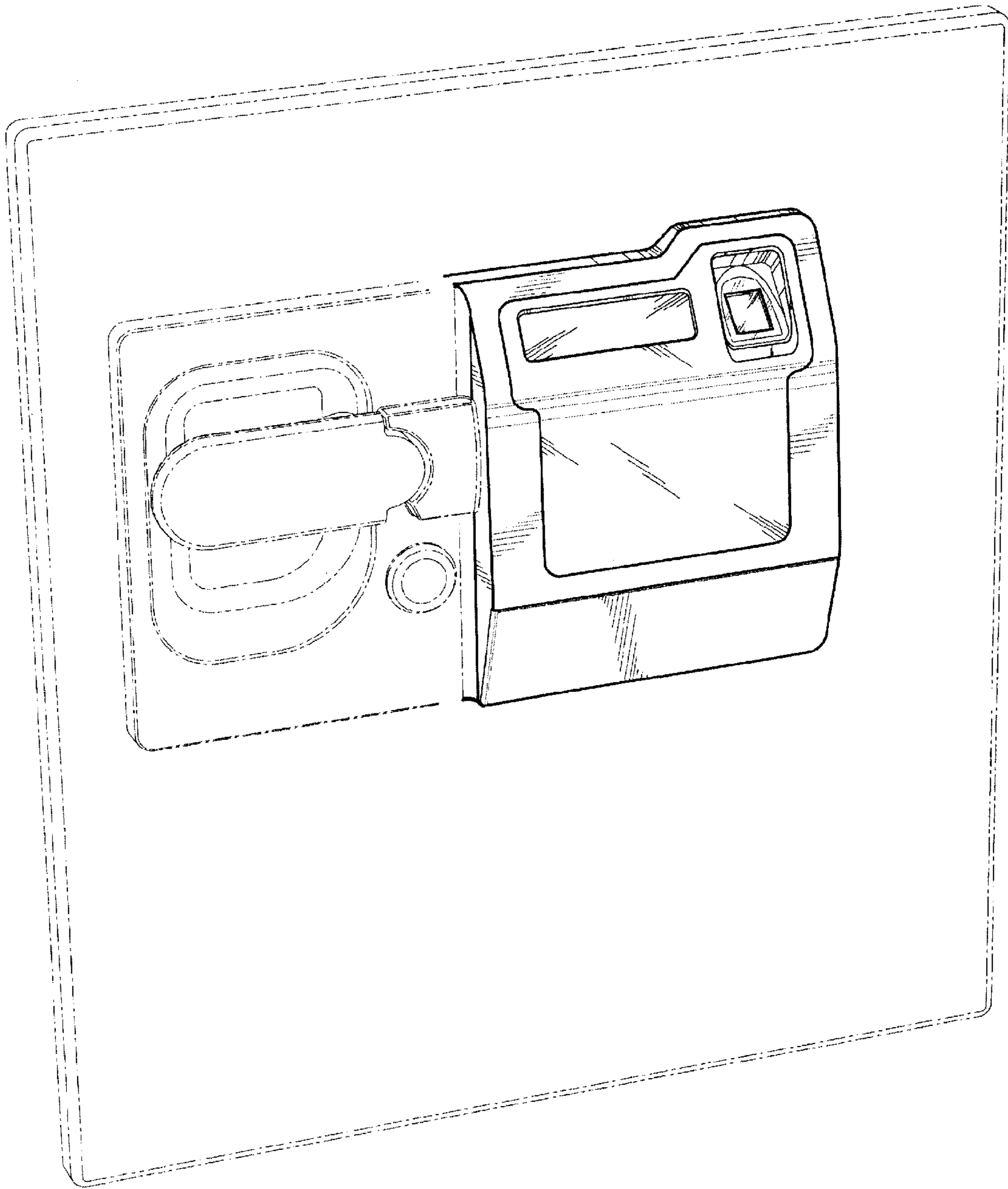


FIG. 1

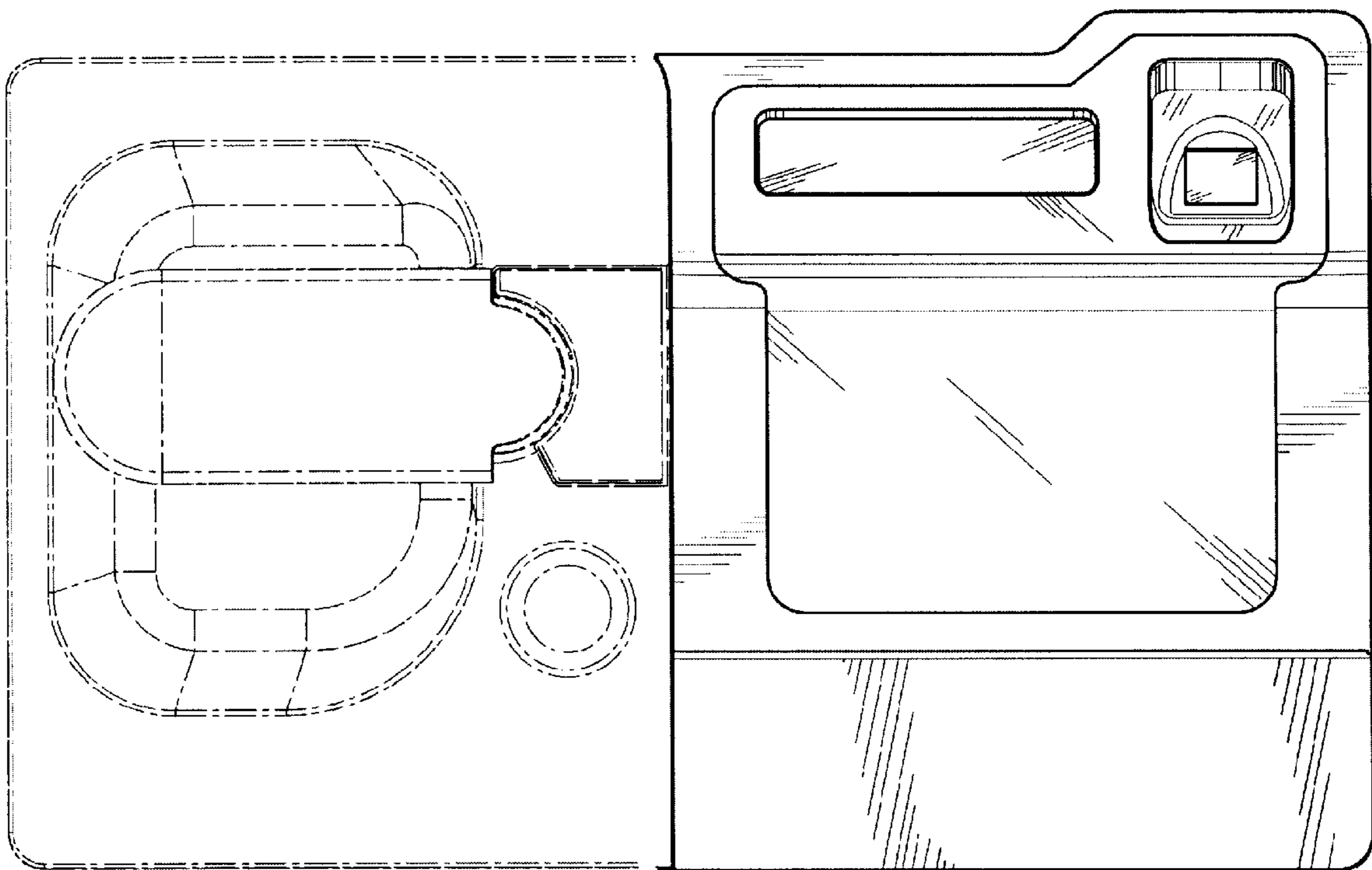


FIG. 2

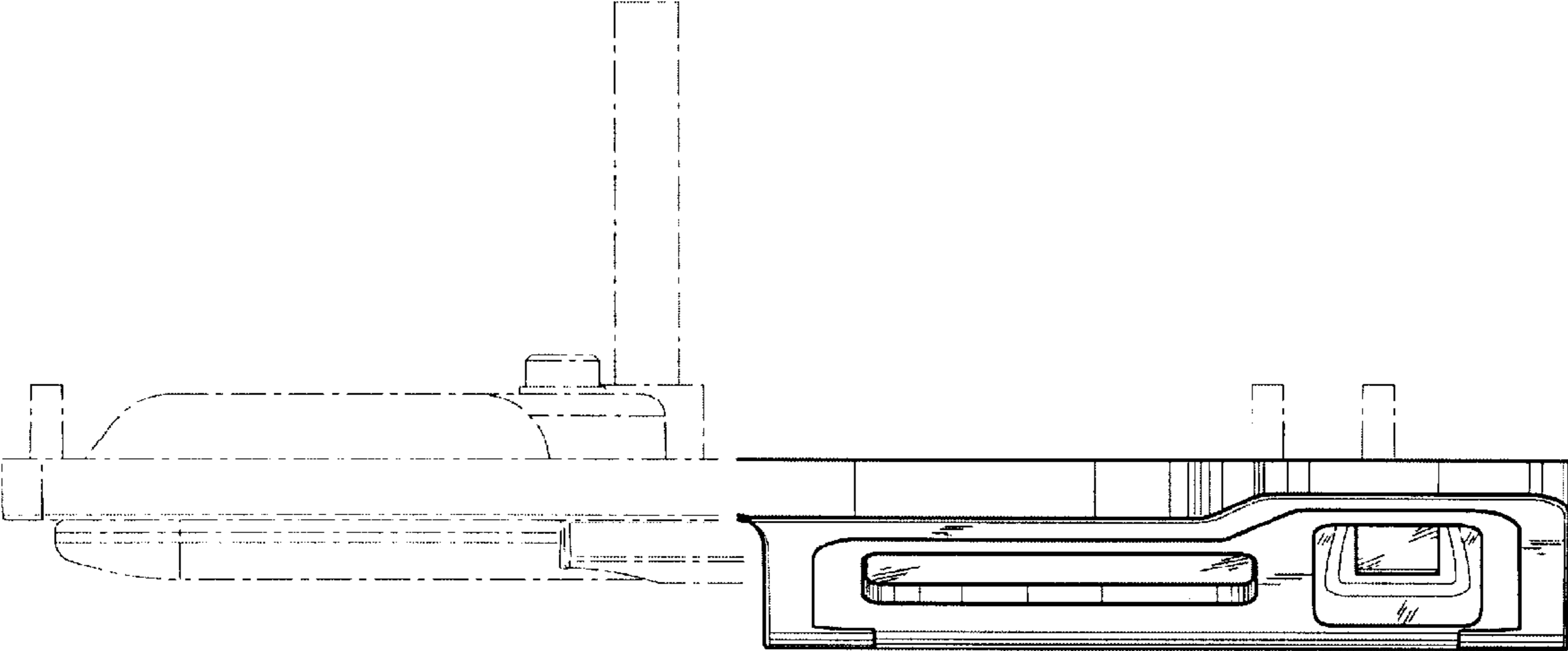


FIG. 3

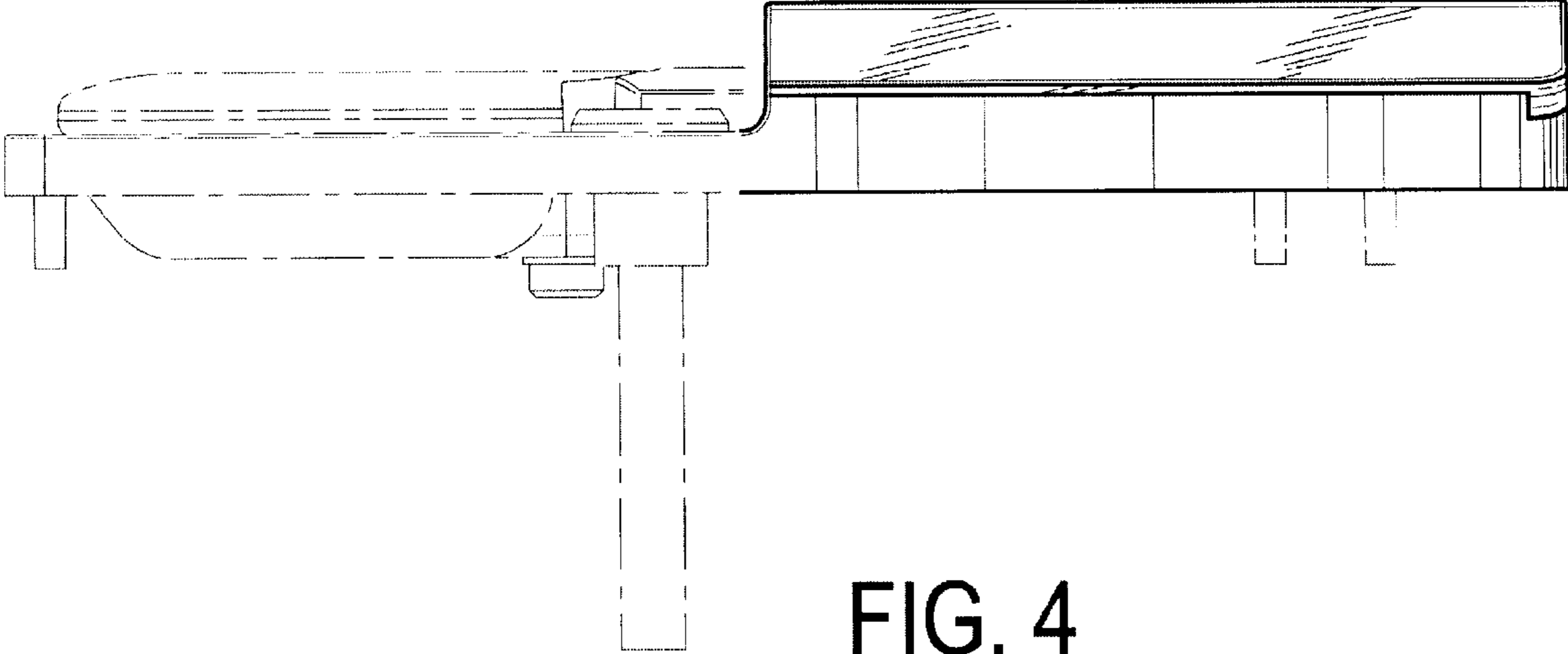


FIG. 4

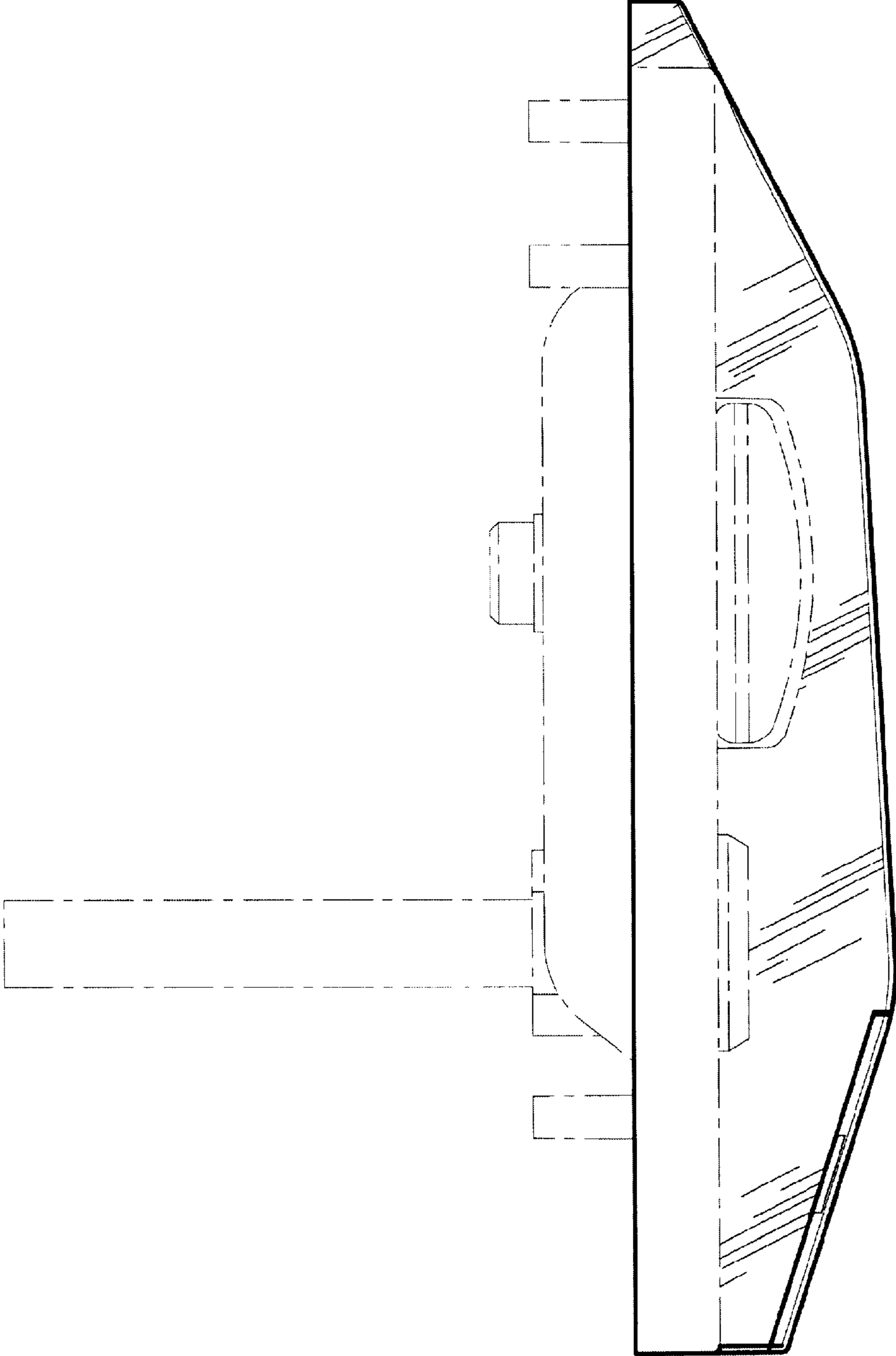


FIG. 5

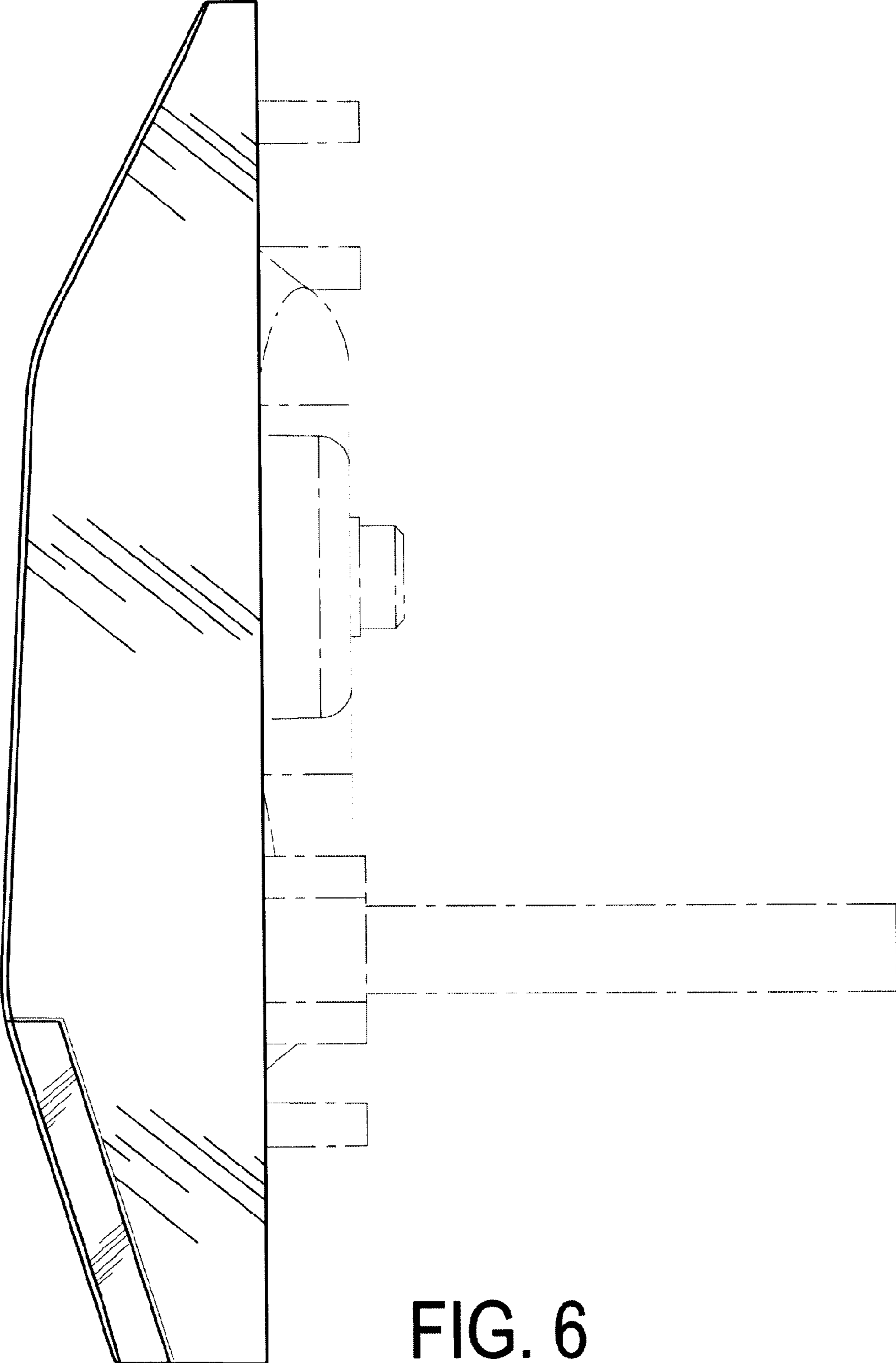


FIG. 6