



US00D515400S

(12) **United States Design Patent**
Tozer

(10) **Patent No.:** **US D515,400 S**

(45) **Date of Patent:** **** Feb. 21, 2006**

(54) **LATCH FURNITURE**

(75) **Inventor:** **Chad Joel Tozer, Whakatane (NZ)**

(73) **Assignee:** **Assa Abloy Financial Services AB,**
Stockholm (SE)

(**) **Term:** **14 Years**

(21) **Appl. No.:** **29/199,698**

(22) **Filed:** **Feb. 17, 2004**

(30) **Foreign Application Priority Data**

Aug. 19, 2003 (NZ) 403802

(51) **LOC (8) Cl.** **08-07**

(52) **U.S. Cl.** **D8/343; D8/331**

(58) **Field of Classification Search** D8/330,
D8/331, 343, 345, 339, 341, 302, 300; 292/137,
292/157, 32, 163-169, 175, 150, DIG. 30,
292/DIG. 31, DIG. 47, 200-204, 336.3

See application file for complete search history.

(56) **References Cited**

U.S. PATENT DOCUMENTS

5,139,291 A * 8/1992 Schultz 292/42
5,301,989 A * 4/1994 Dallmann et al. 292/142
D371,502 S * 7/1996 Morris D8/331
D380,370 S * 7/1997 Carlson et al. D8/343
5,806,900 A * 9/1998 Bratcher et al. 292/137
D415,406 S * 10/1999 Weinerman et al. D8/331

6,174,007 B1 * 1/2001 Schlack et al. 292/336.3
D444,373 S * 7/2001 Schultz et al. D8/343
D449,511 S * 10/2001 Halvorson et al. D8/338
D456,688 S * 5/2002 Polowinczak et al. D8/302
D495,237 S * 8/2004 Tozer D8/343
D503,083 S * 3/2005 Schlack D8/331

* cited by examiner

Primary Examiner—Prabhakar Deshmukh

(74) *Attorney, Agent, or Firm*—Blakely, Sokoloff, Taylor & Zafman

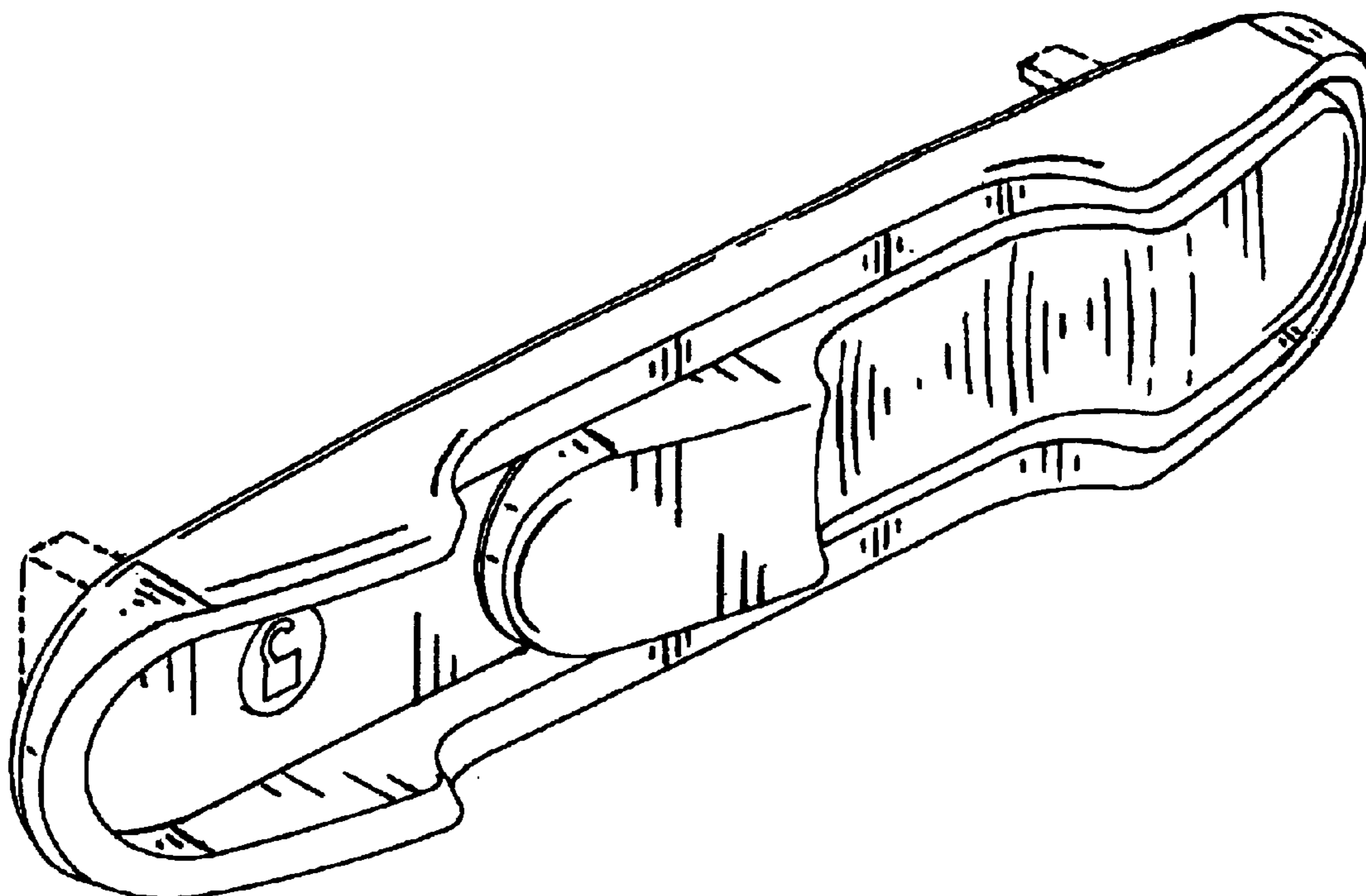
(57) **CLAIM**

The ornamental design for latch furniture, as shown and described.

DESCRIPTION

FIG. 1 is a perspective view of latch furniture showing my new design;
FIG. 2 is a further perspective view thereof showing the slider at the opposite extent of its travel;
FIG. 3 is a top plan view;
FIG. 4 is a side elevation view from the bottom of FIG. 3;
FIG. 5 is a side elevation view from the top of FIG. 3;
FIG. 6 is a bottom plan view;
FIG. 7 is an end elevation view from the left of FIG. 3; and,
FIG. 8 is an end elevation view from the right of FIG. 3.
The broken lines are for illustrative purpose only and form no part of the claimed design.

1 Claim, 4 Drawing Sheets



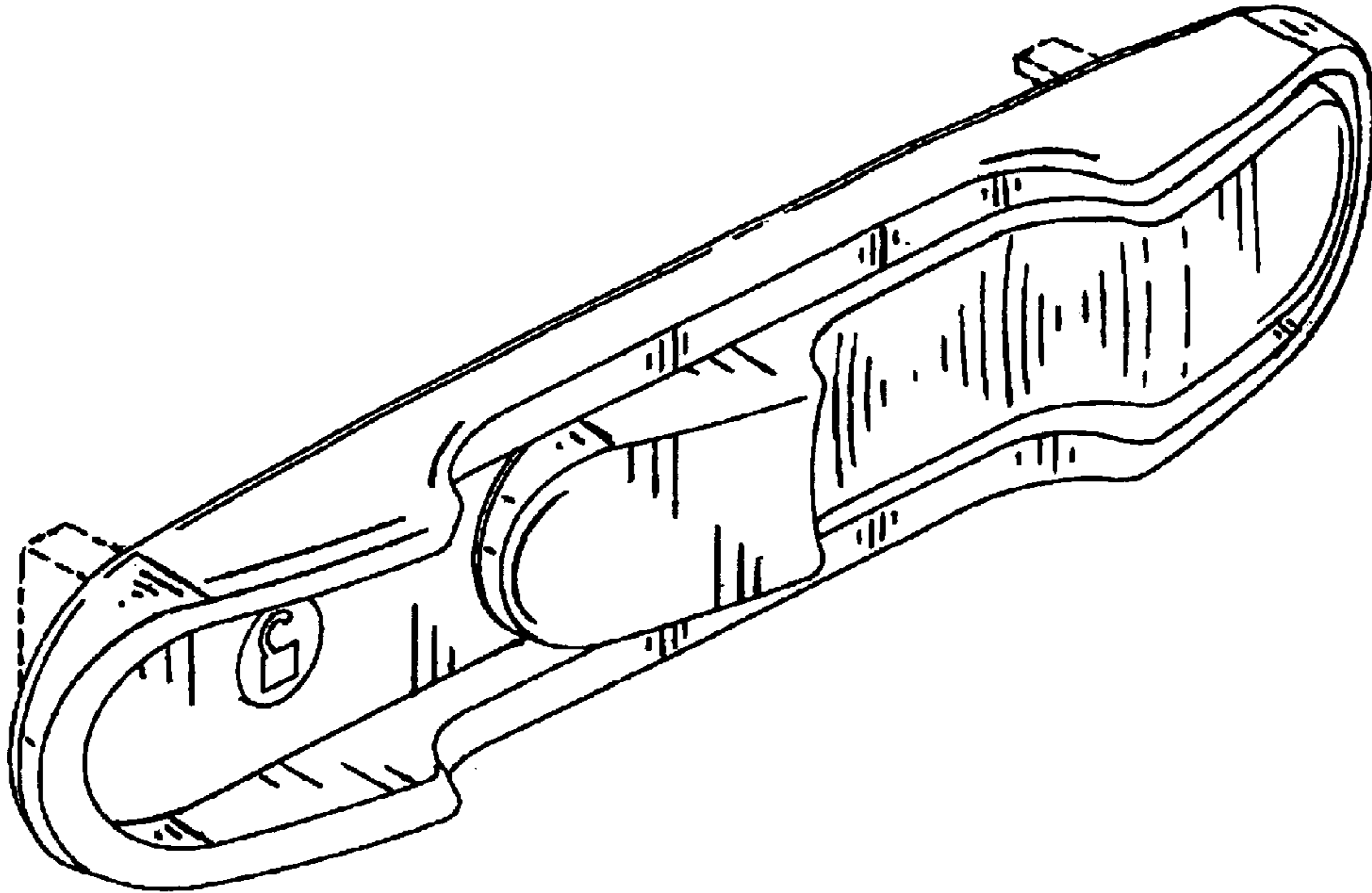


FIG. 1

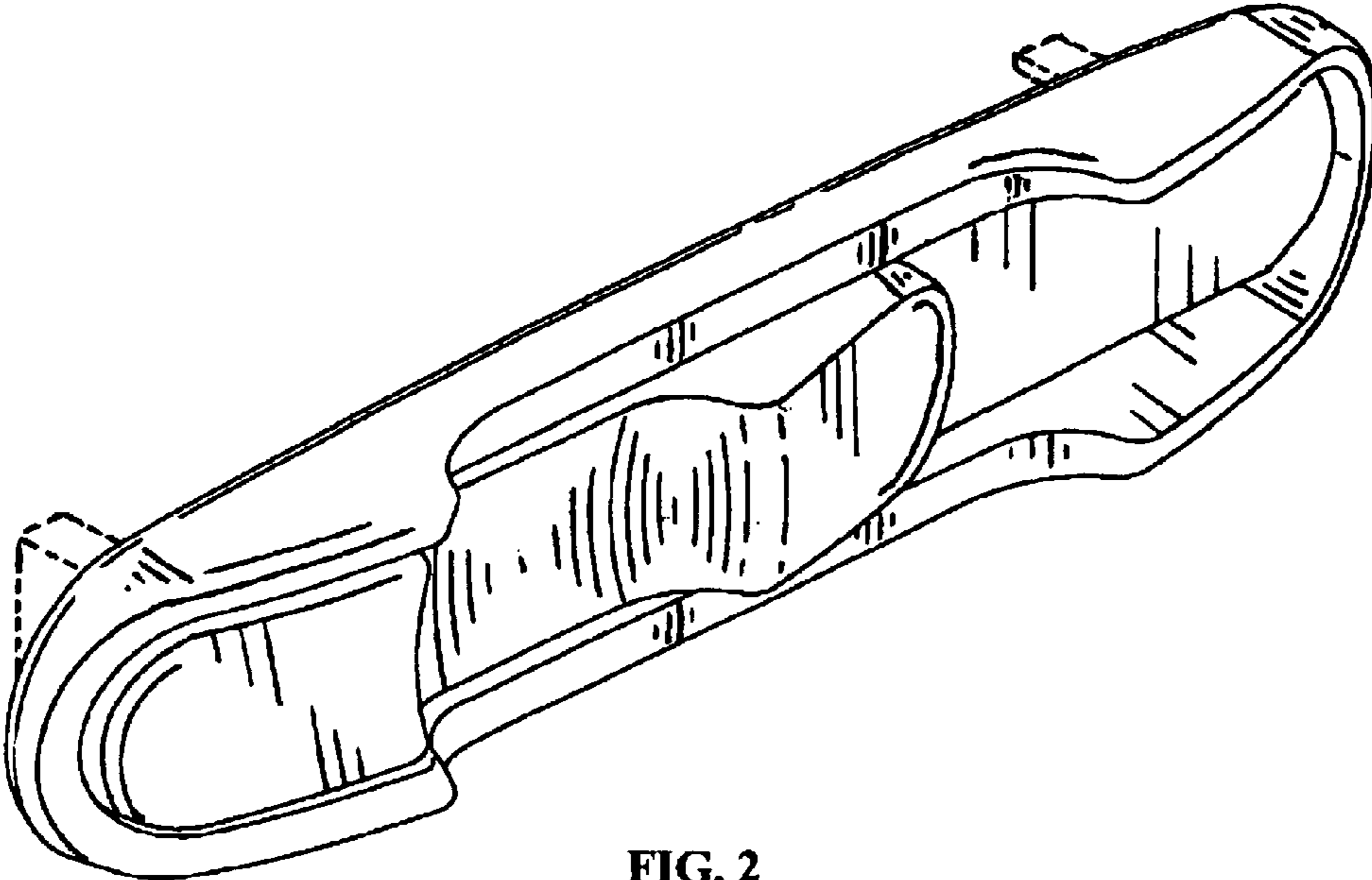


FIG. 2

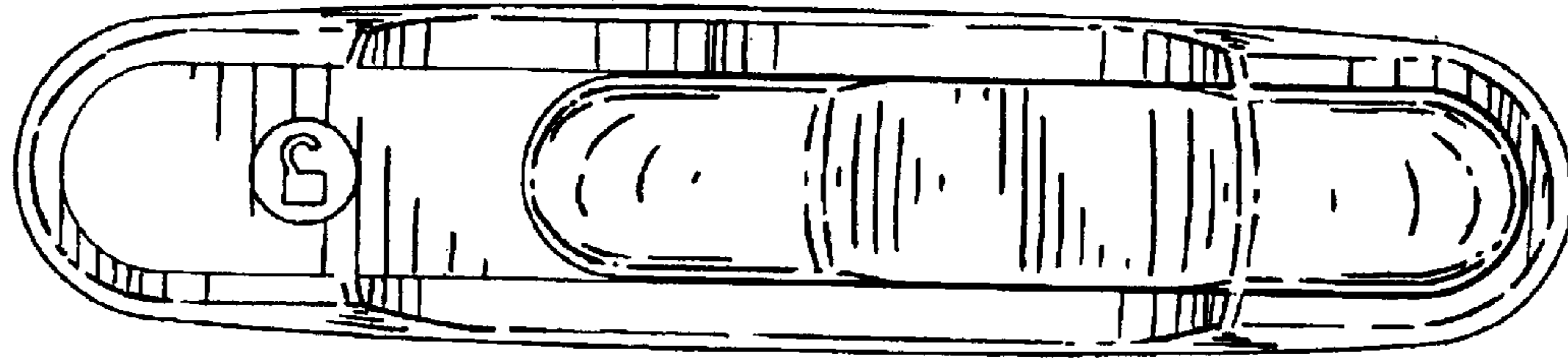


FIG. 3

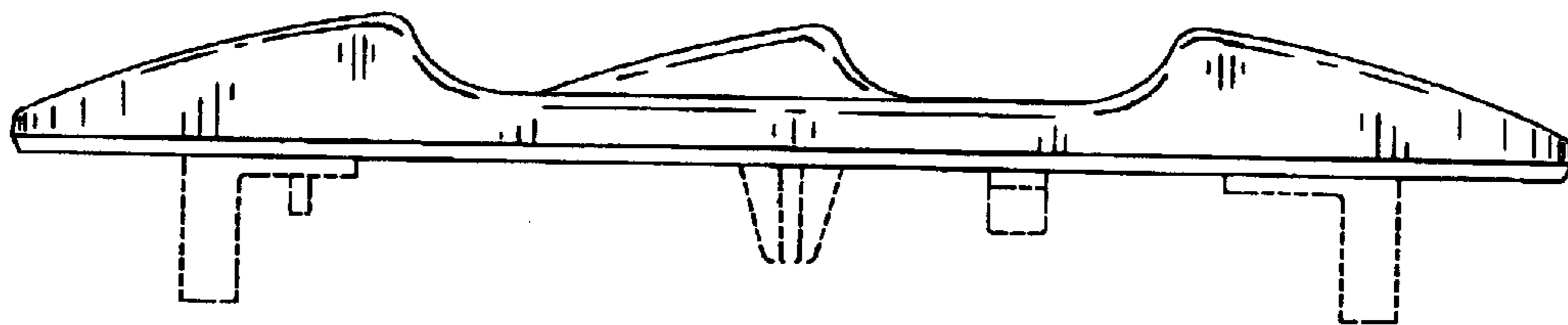


FIG. 4

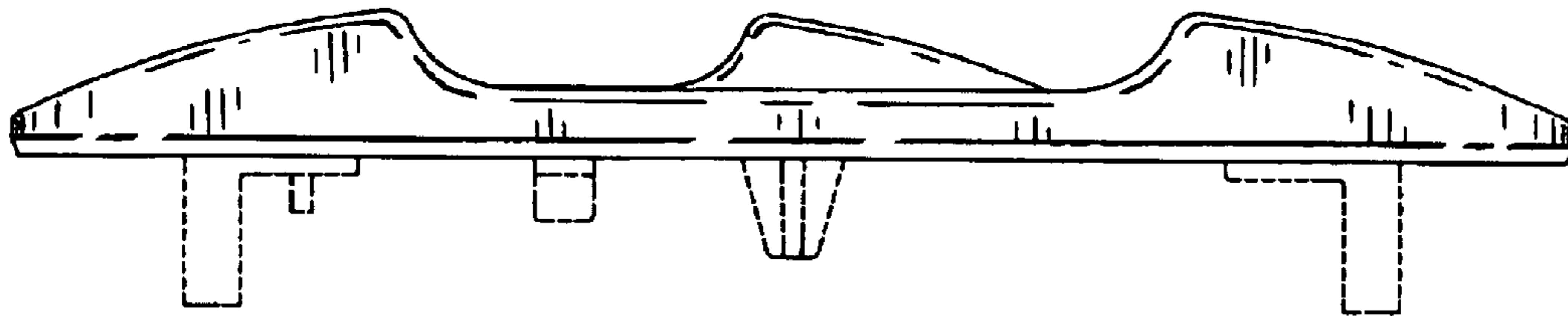


FIG. 5

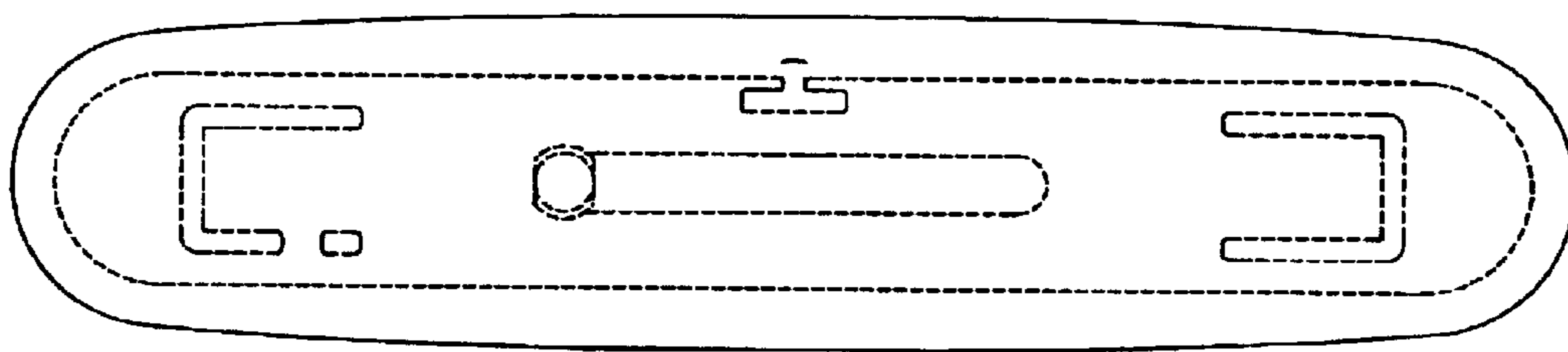


FIG. 6

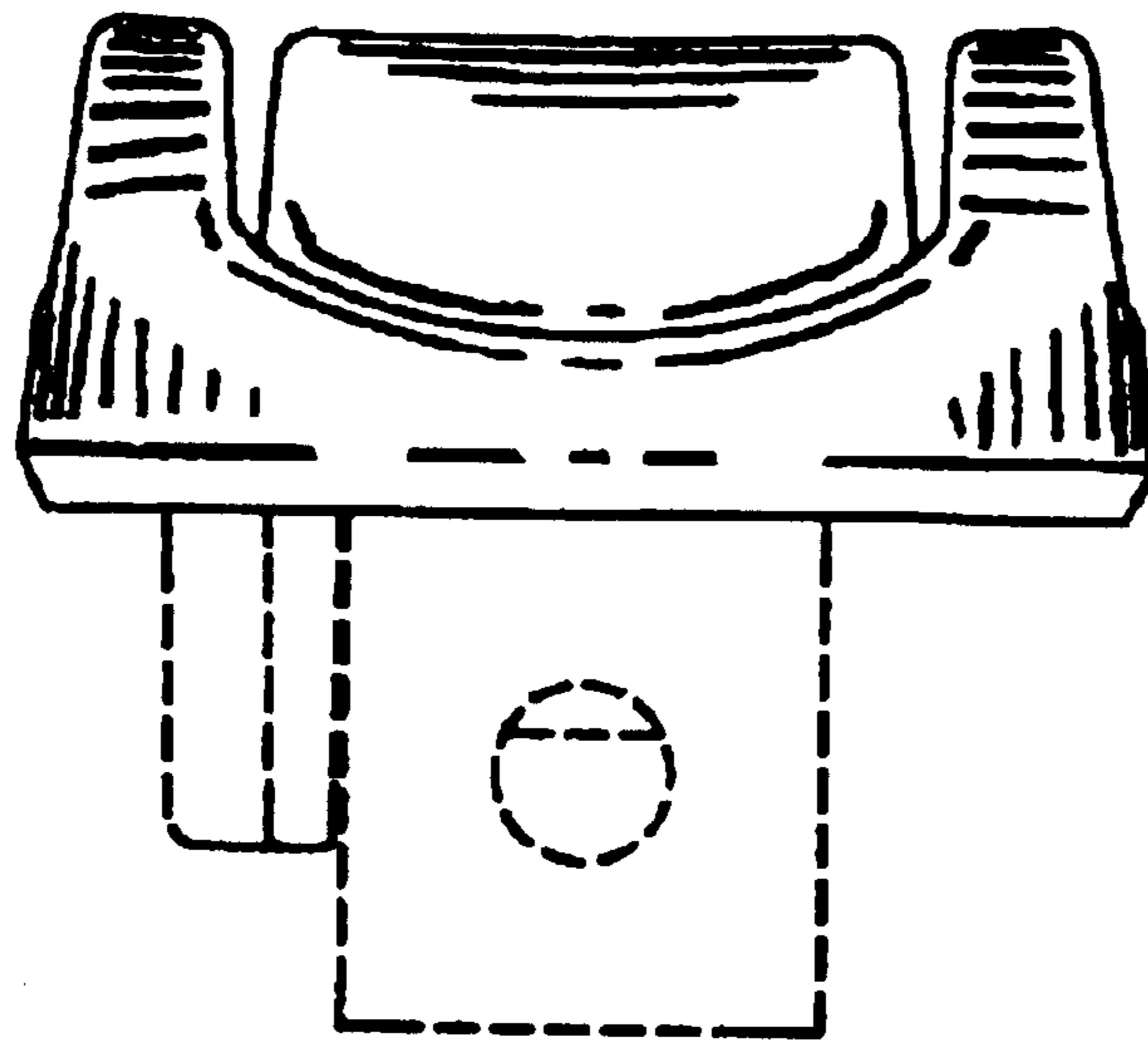


FIG. 7

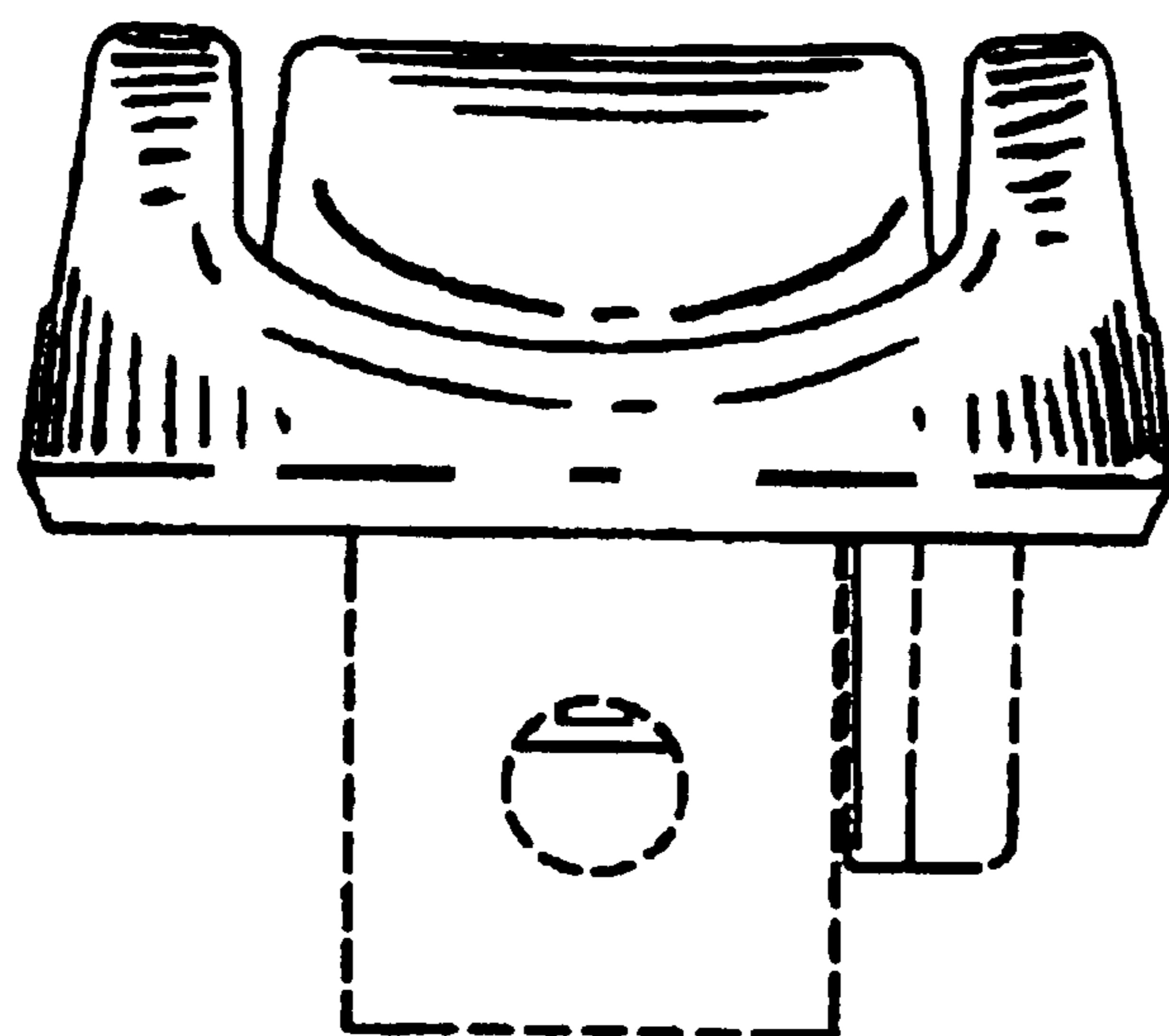


FIG. 8