

US00D515392S

(12) **United States Design Patent**
Xingguo

(10) **Patent No.:** **US D515,392 S**

(45) **Date of Patent:** **** Feb. 21, 2006**

(54) **MULTI-PURPOSE BICYCLE TOOL**

(75) Inventor: **Zhou Xingguo**, WuHan (CN)

(73) Assignee: **Acumen Inc.**, Sterling, VA (US)

(**) Term: **14 Years**

(21) Appl. No.: **29/191,566**

(22) Filed: **Oct. 10, 2003**

(51) **LOC (8) Cl.** **08-05**

(52) **U.S. Cl.** **D8/105**

(58) **Field of Classification Search** D8/99,
D8/98, 357, 356, 105, 61, 107, 22; 81/417,
81/490, 437, 177.4; 7/138, 139, 165, 158,
7/100, 118; 362/202; 173/171, 217; 116/111.1
See application file for complete search history.

(56) **References Cited**

U.S. PATENT DOCUMENTS

4,043,230	A	*	8/1977	Scrivens	81/177.2
4,716,795	A	*	1/1988	Corona et al.	81/177.4
D295,601	S	*	5/1988	Svetlik	D8/61
5,121,803	A	*	6/1992	Hartmann et al.	173/171
5,174,178	A	*	12/1992	Disston, Jr.	81/490
5,436,814	A	*	7/1995	Hanley	362/216
D391,820	S	*	3/1998	Bunyea	D8/61
D415,946	S	*	11/1999	Tsai	D8/107
D441,267	S	*	5/2001	Heun	D8/61
6,595,091	B2	*	7/2003	Williams	81/490
D484,387	S	*	12/2003	Hsiao	D8/107
6,817,424	B1	*	11/2004	Su et al.	173/217
2005/0078480	A1	*	4/2005	Xingguo	362/253

* cited by examiner

Primary Examiner—Cathron C. Brooks

Assistant Examiner—Austin Murphy

(74) *Attorney, Agent, or Firm*—Crowell & Moring LLP

(57) **CLAIM**

The ornamental design for a multi-purpose bicycle tool, as shown and described.

DESCRIPTION

FIG. 1 is a left, rear perspective view of a multi-purpose bicycle tool in a closed position according to our novel design;

FIG. 2 is a rear side view of the multi-purpose bicycle tool in a closed position according to our novel design;

FIG. 3 is a front side view of the multi-purpose bicycle tool in a closed position according to our novel design;

FIG. 4 is a bottom view of the multi-purpose bicycle tool in a closed position according to our novel design;

FIG. 5 is a top view of the multi-purpose bicycle tool in a closed position according to our novel design; and

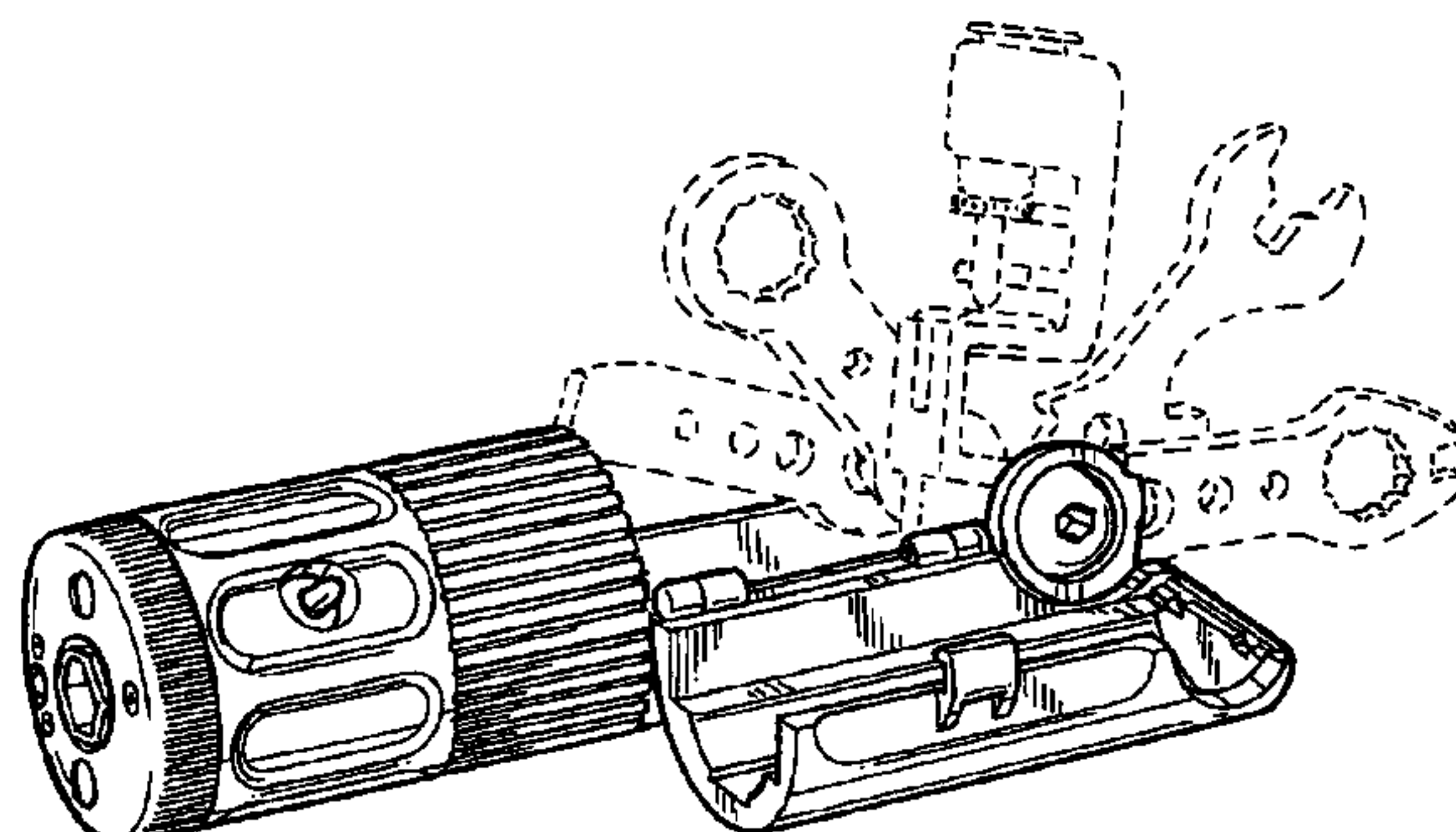
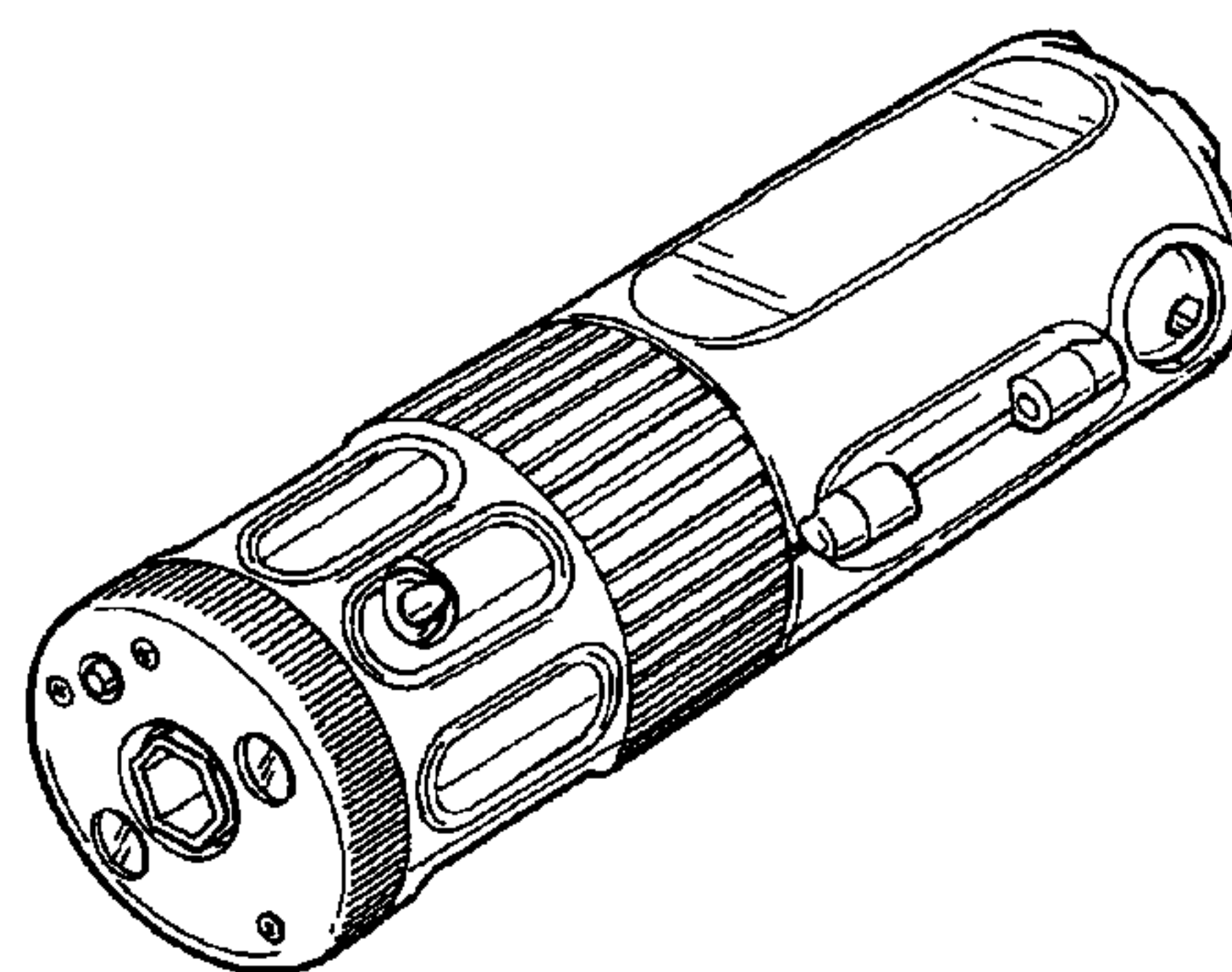
FIG. 6 is a right end view of the multi-purpose bicycle tool in a closed position according to our novel design.

FIG. 7 is a left end view of the multi-purpose bicycle tool in a closed position according to our novel design; and,

FIG. 8 is a left, rear perspective view of the multi-purpose bicycle tool in an open position according to our novel design.

The broken lines are for illustrative purposes only and form no part of the claimed design.

1 Claim, 3 Drawing Sheets



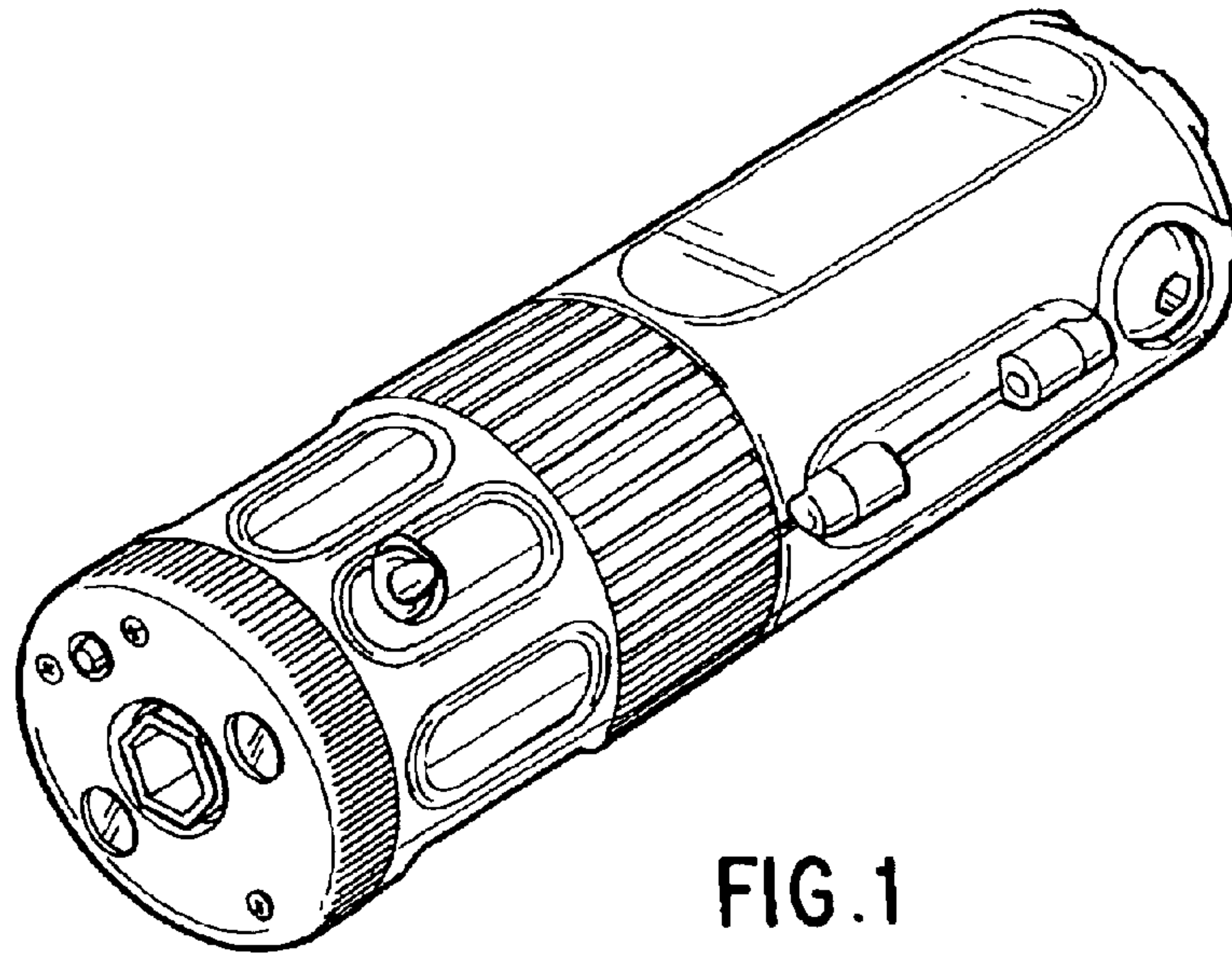


FIG. 1

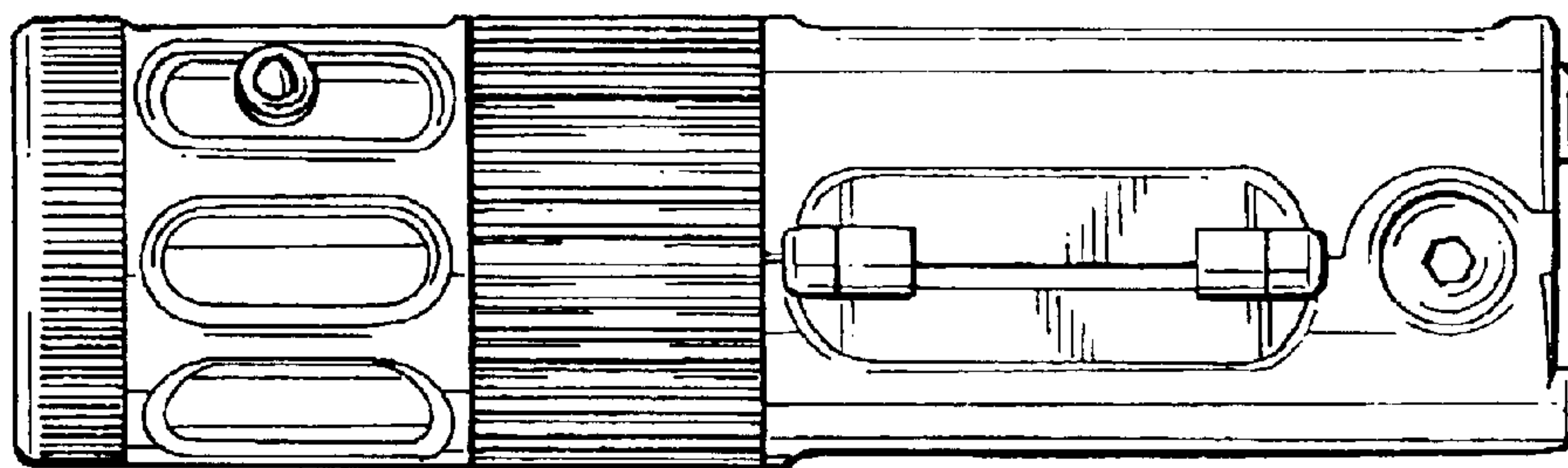


FIG. 2

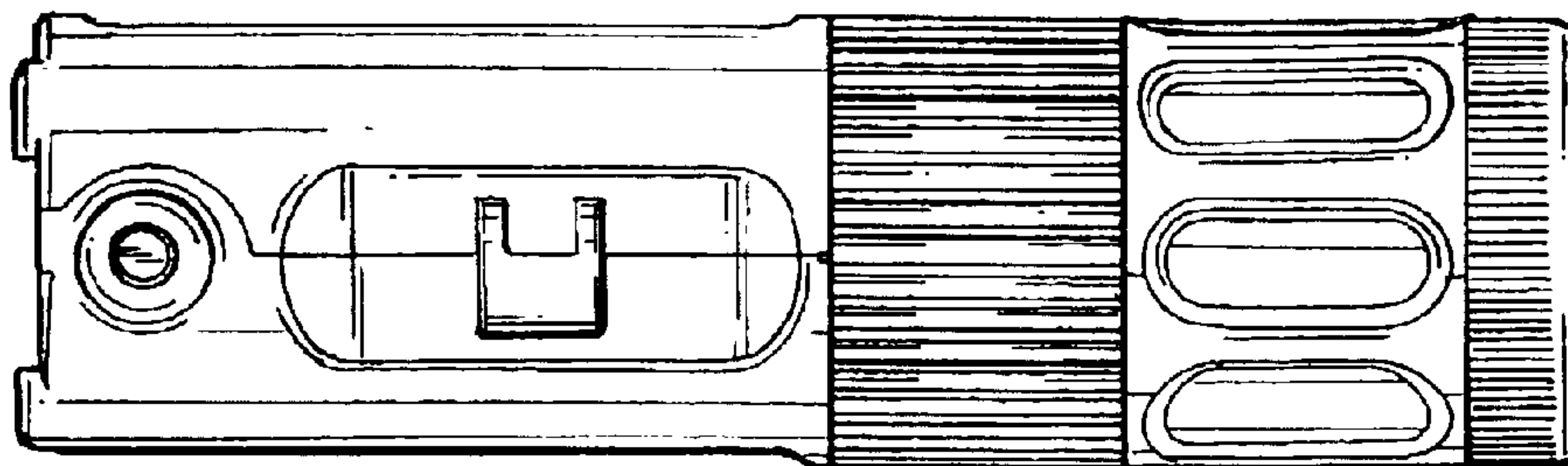


FIG. 3

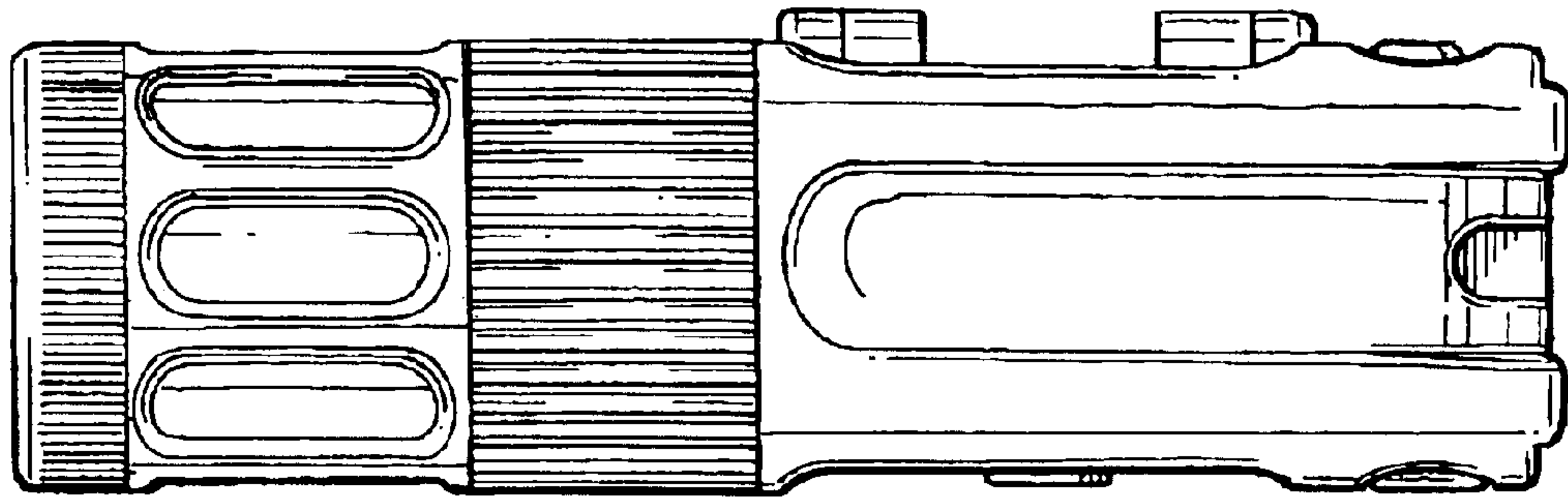


FIG. 4

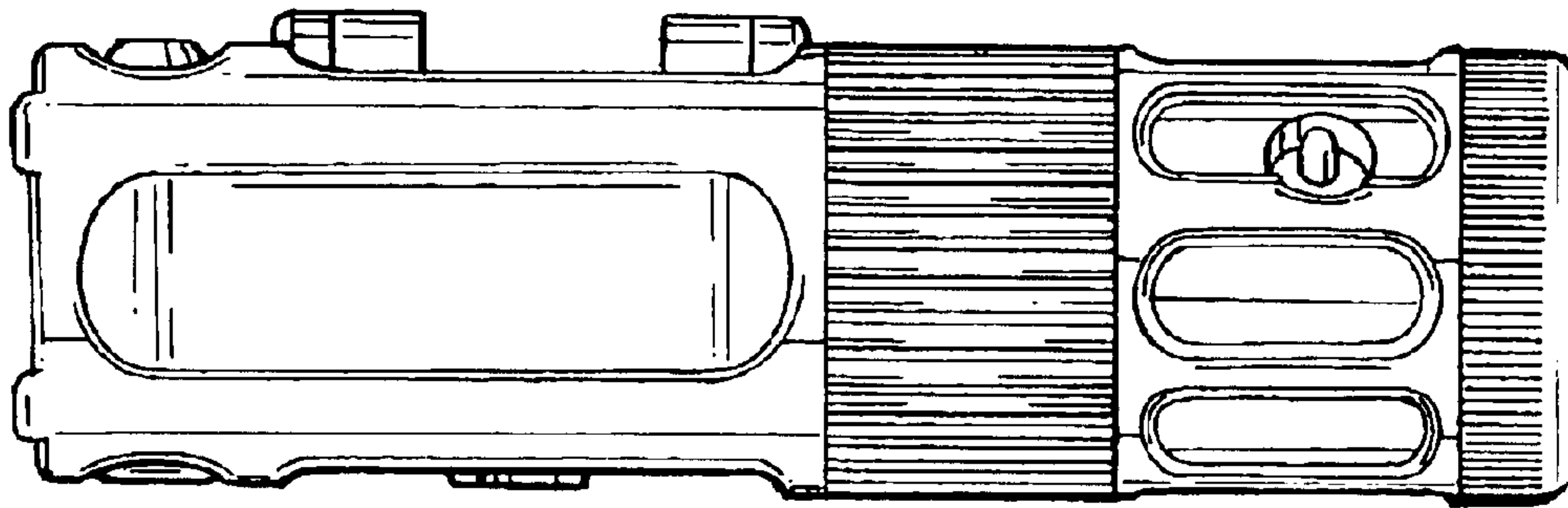


FIG. 5

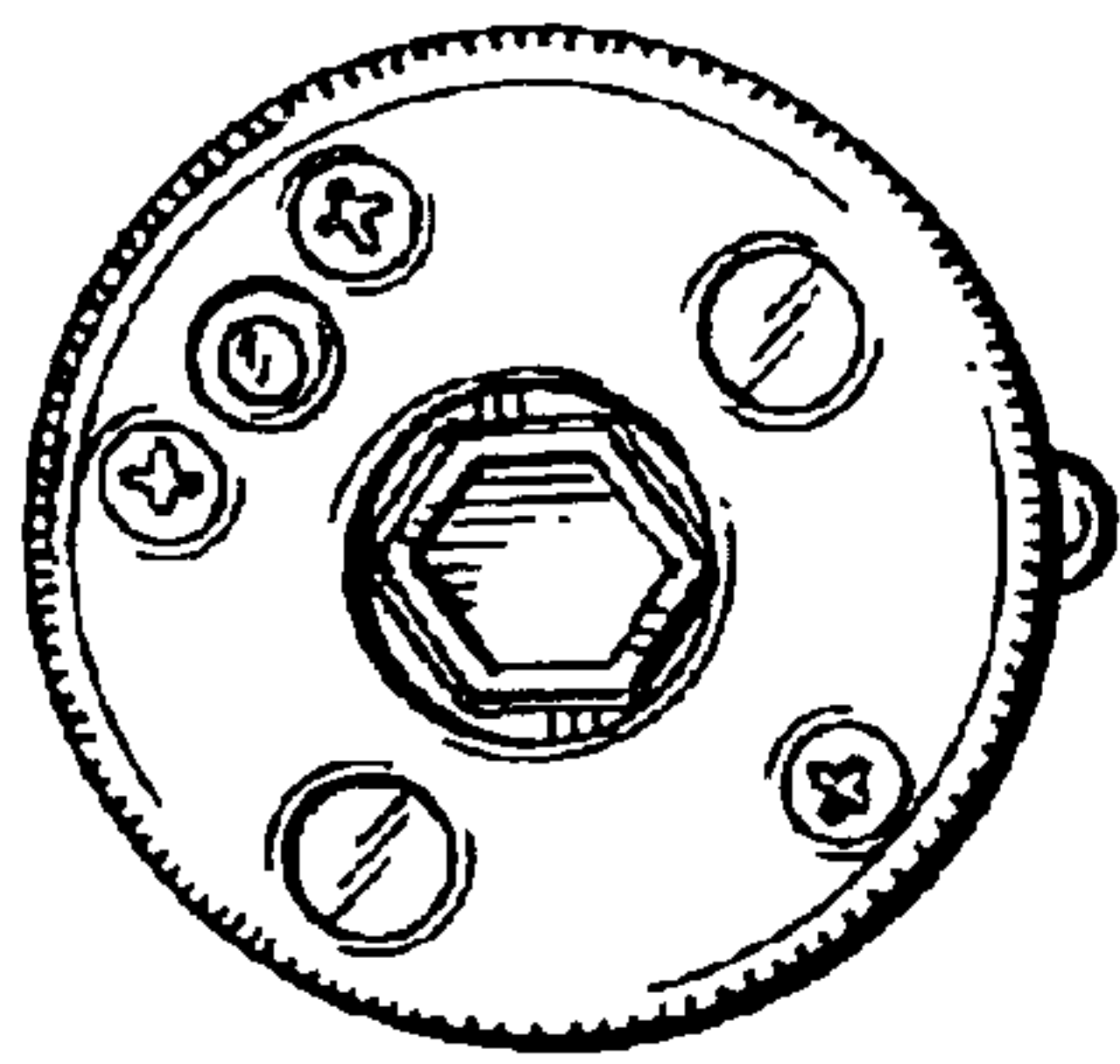


FIG. 6

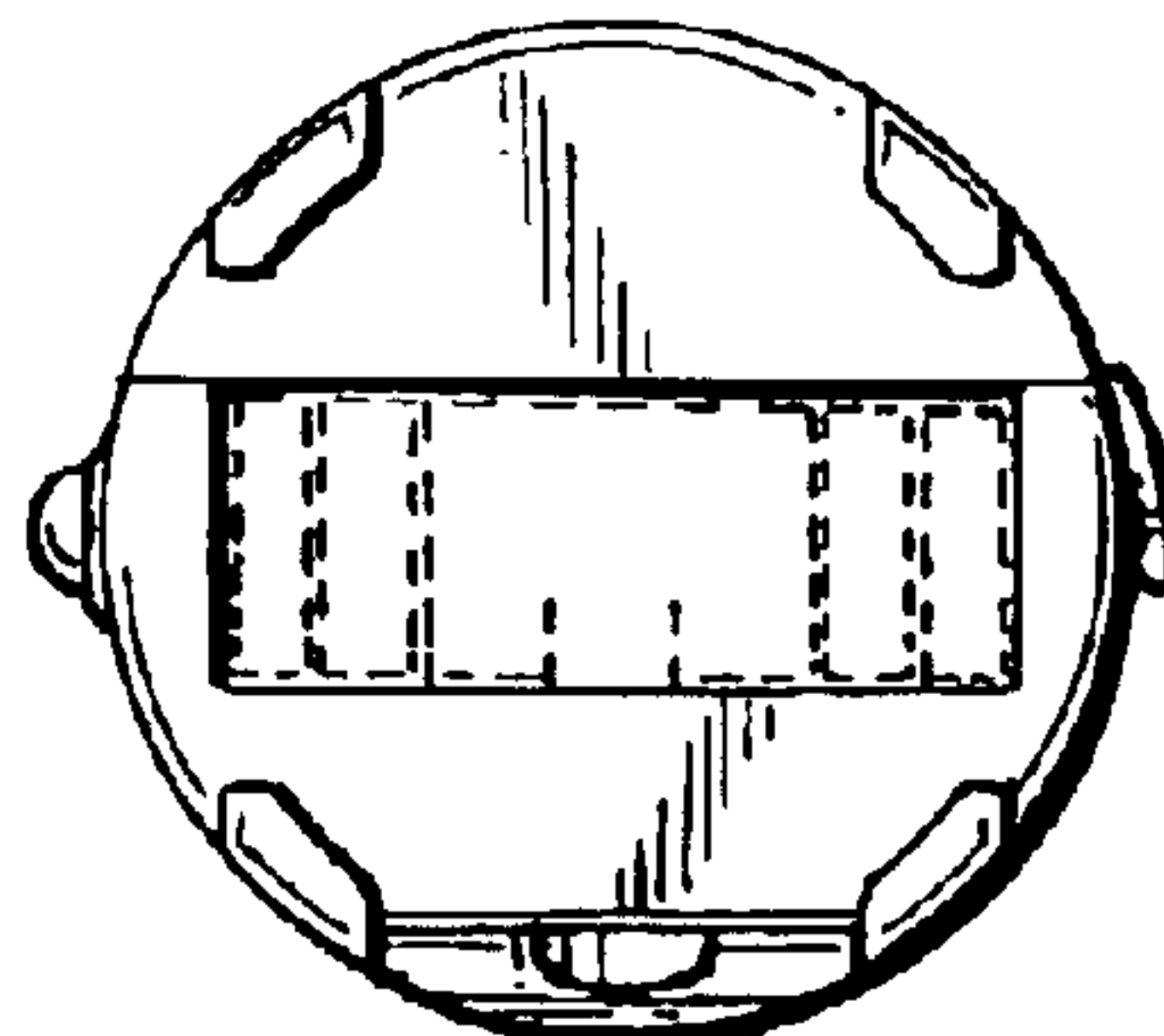


FIG. 7

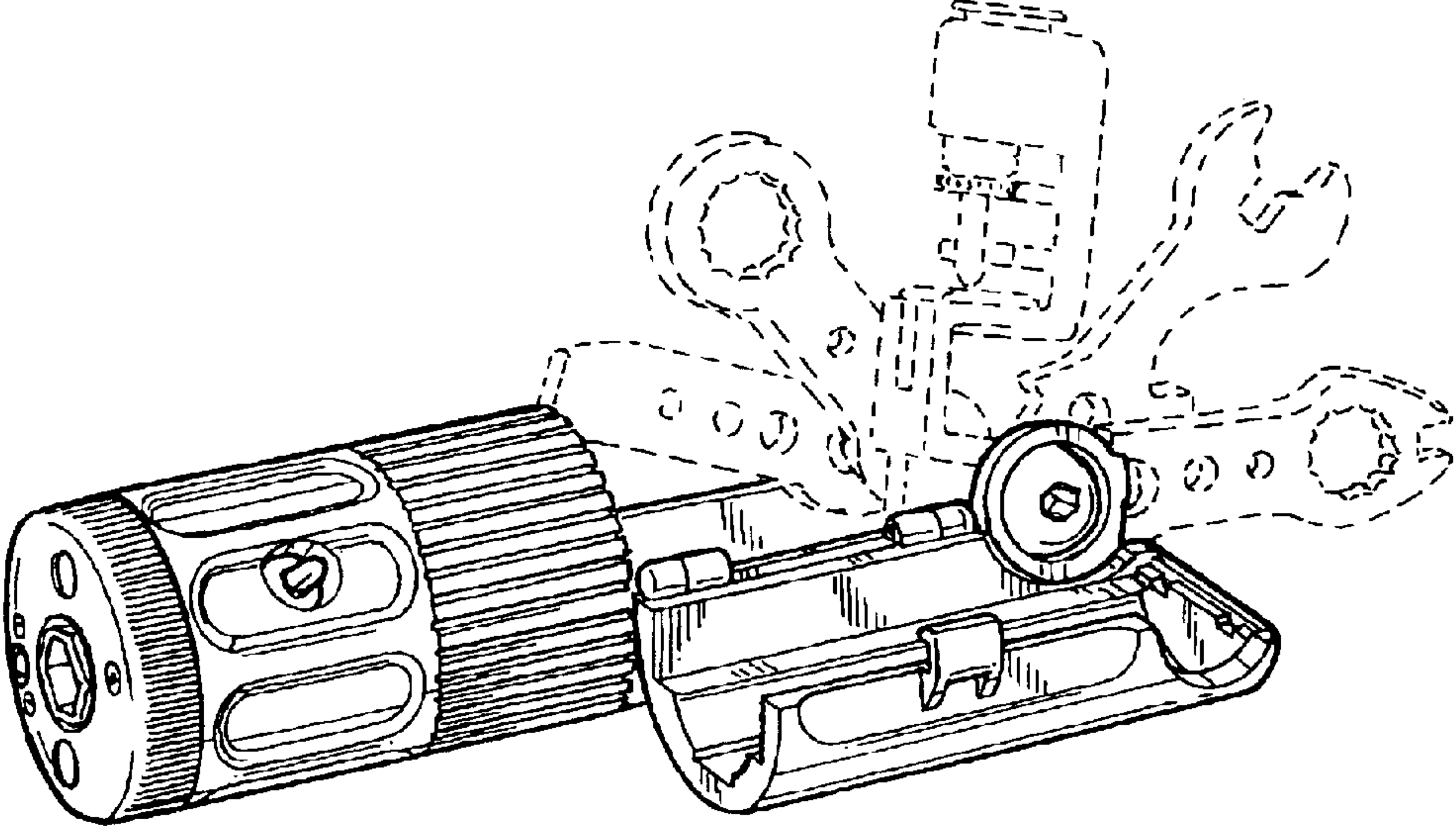


FIG. 8