

US00D515391S

(12) **United States Design Patent**
Hawkins

(10) **Patent No.: US D515,391 S**
(45) **Date of Patent: ** Feb. 21, 2006**

(54) **FOLD UP TOOL WITH CENTER BEAM**

(75) Inventor: **Eric H. Hawkins**, Lake Elmo, MN
(US)

(73) Assignee: **Bicycle Tools Incorporated**, St. Paul,
MN (US)

(**) Term: **14 Years**

(21) Appl. No.: **29/186,851**

(22) Filed: **Jul. 22, 2003**

4,476,751 A	10/1984	Mishima	81/440
4,744,272 A	5/1988	Leatherman	
4,815,346 A	3/1989	Littlehorn	81/439
4,854,045 A	8/1989	Schaub	
4,888,869 A	12/1989	Leatherman	
4,908,947 A	3/1990	Schaub	
5,146,815 A	9/1992	Scott, III	
D332,384 S *	1/1993	Dague	D8/105
5,303,439 A	4/1994	Seals	
5,313,860 A	5/1994	Liou	
5,320,004 A	6/1994	Hsiao	
5,450,774 A	9/1995	Chang	
5,581,834 A	12/1996	Collins	

Related U.S. Application Data

(63) Continuation of application No. 10/447,163, filed on May
27, 2003, now Pat. No. 6,880,435.

(51) **LOC (8) Cl. 08-05**

(52) **U.S. Cl. D8/105**

(58) **Field of Classification Search** D8/99,
D8/98, 357, 356, 105, 22; 81/417, 426, 440,
81/177.4; 7/138, 139, 165, 158, 100, 118;
362/109; 206/375

See application file for complete search history.

(56) **References Cited**

U.S. PATENT DOCUMENTS

635,562 A	10/1899	Marschutz et al.	
1,369,829 A	3/1921	Minges	
1,398,583 A	11/1921	Bovee	
D168,900 S *	2/1953	Lutsker	D8/22
2,804,970 A	9/1957	Kuc	
2,828,855 A	4/1958	Mosch	
4,238,862 A	12/1980	Leatherman	
4,327,790 A	5/1982	Stevens et al.	81/177.4

(Continued)

Primary Examiner—Cathron C. Brooks

Assistant Examiner—Austin Murphy

(74) *Attorney, Agent, or Firm*—Larkin Hoffman Daly &
Lindgren Ltd.; Thomas J. Oppold, Esq.

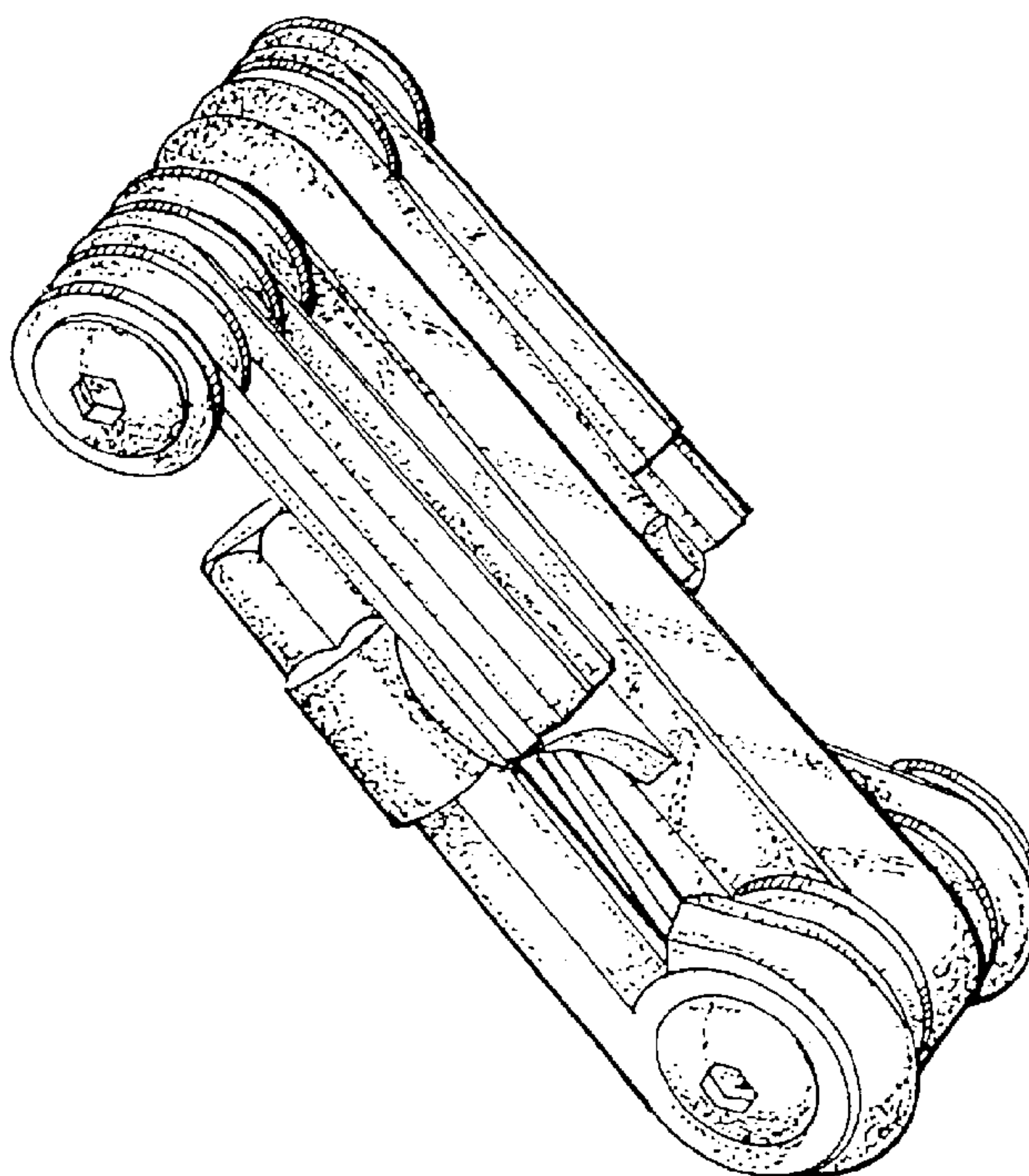
(57) **CLAIM**

The ornamental design for a fold up tool with center beam,
as shown and described.

DESCRIPTION

FIG. 1 is a front elevational view showing my new design
for a fold up tool with center beam;
FIG. 2 is a right side elevational view;
FIG. 3 is a bottom plan view;
FIG. 4 is a rear elevational view;
FIG. 5 is a left side elevational view;
FIG. 6 is a top plan view; and,
FIG. 7 is a front perspective view.

1 Claim, 3 Drawing Sheets



US D515,391 S

Page 2

U.S. PATENT DOCUMENTS

5,588,169 A	12/1996	Chuang		D429,131 S	8/2000	Rivera	
5,632,056 A	5/1997	Hsiao		D429,132 S	8/2000	Rivera	
5,655,242 A	8/1997	Chuang		D429,616 S	8/2000	Rivera	
5,711,042 A	1/1998	Chuang		D429,621 S	8/2000	Rivera	
5,711,194 A	1/1998	Anderson et al.		D429,989 S	8/2000	Rivera	
5,803,584 A	9/1998	Chung	362/120	6,112,351 A	9/2000	Hawkins et al.	
D401,133 S	11/1998	Gardiner et al.		6,128,805 A	10/2000	Rivera	
D406,508 S	3/1999	Rivera		6,128,981 A	10/2000	Bondhus et al.	81/440
D408,238 S	4/1999	Rivera		D433,902 S	11/2000	Rivera	
D410,369 S	6/1999	Yeh		6,161,273 A	12/2000	Rivera et al.	
6,014,787 A	1/2000	Rivera		D436,514 S	1/2001	Rivera	
D420,874 S	2/2000	Berg et al.		D437,541 S *	2/2001	Hermansen et al.	D8/105
D421,377 S	3/2000	Rivera		6,216,301 B1	4/2001	Rivera	
D423,214 S	4/2000	Hawkins et al.		6,220,127 B1	4/2001	Berg et al.	
6,047,426 A	4/2000	McIntosh et al.		RE37,210 E	6/2001	Chuang	7/138
6,065,213 A	5/2000	Rivera		6,286,168 B1	9/2001	Woodruff et al.	
D427,496 S	7/2000	Berg		6,564,678 B1	5/2003	Wang	81/124.4
D427,501 S	7/2000	Berg et al.		6,601,481 B2	8/2003	Chuang	81/440
D427,868 S	7/2000	Rivera		6,622,329 B2	9/2003	Ostor et al.	7/138
D427,875 S *	7/2000	Chiu	D8/105	6,751,819 B2 *	6/2004	Chuang	7/100
6,085,374 A *	7/2000	Richey	7/118	6,880,435 B2 *	4/2005	Hawkins	81/440
6,092,444 A	7/2000	Hsiao		2002/0073490 A1 *	6/2002	Wu	7/138
D428,791 S	8/2000	Anderson		2003/0074738 A1	4/2003	Chuang	7/100

* cited by examiner

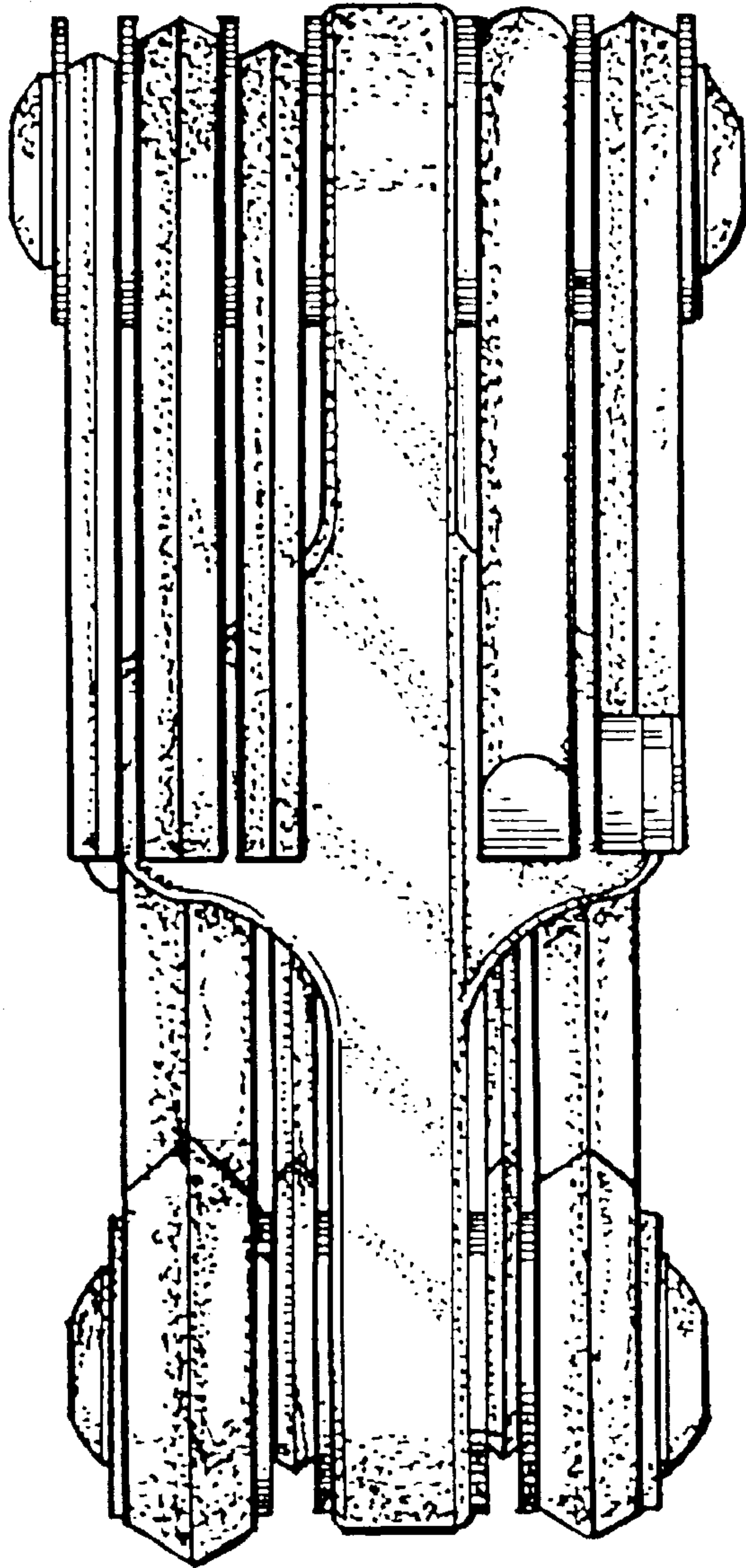


Fig. 1.

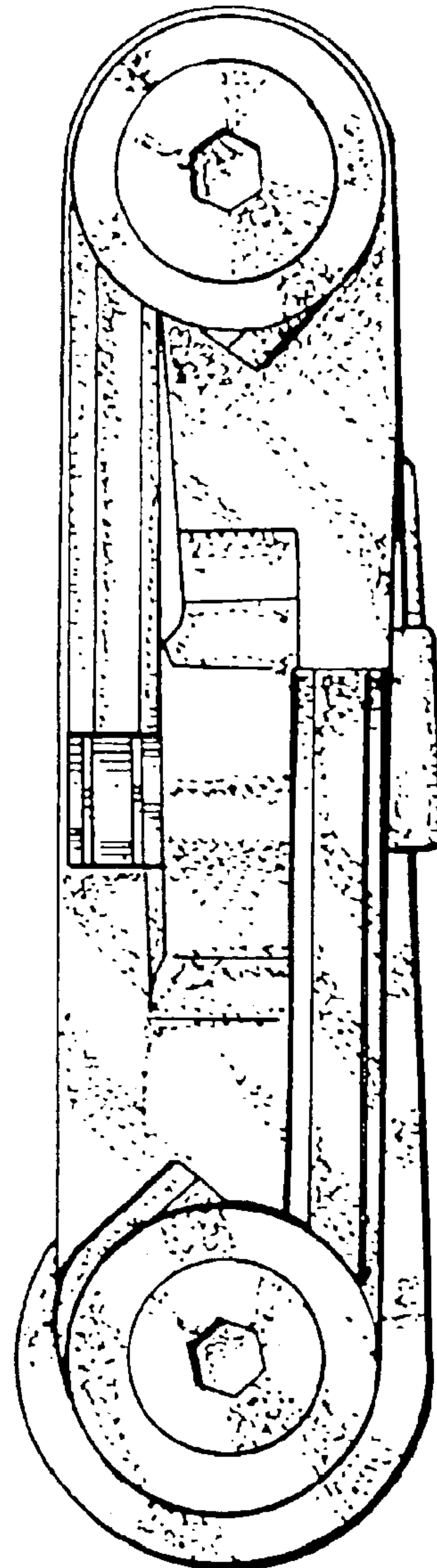


Fig. 2.

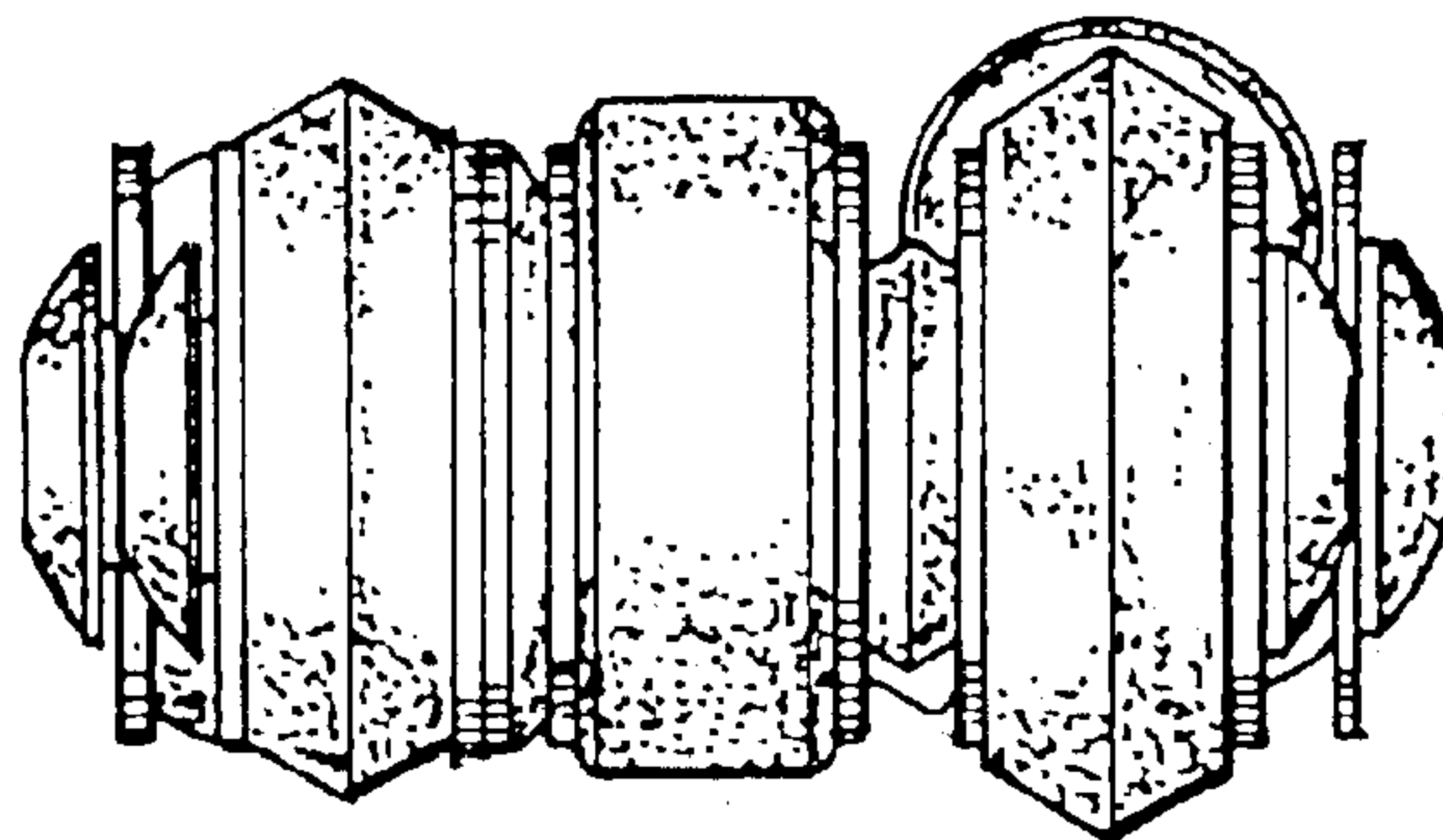


Fig. 3.

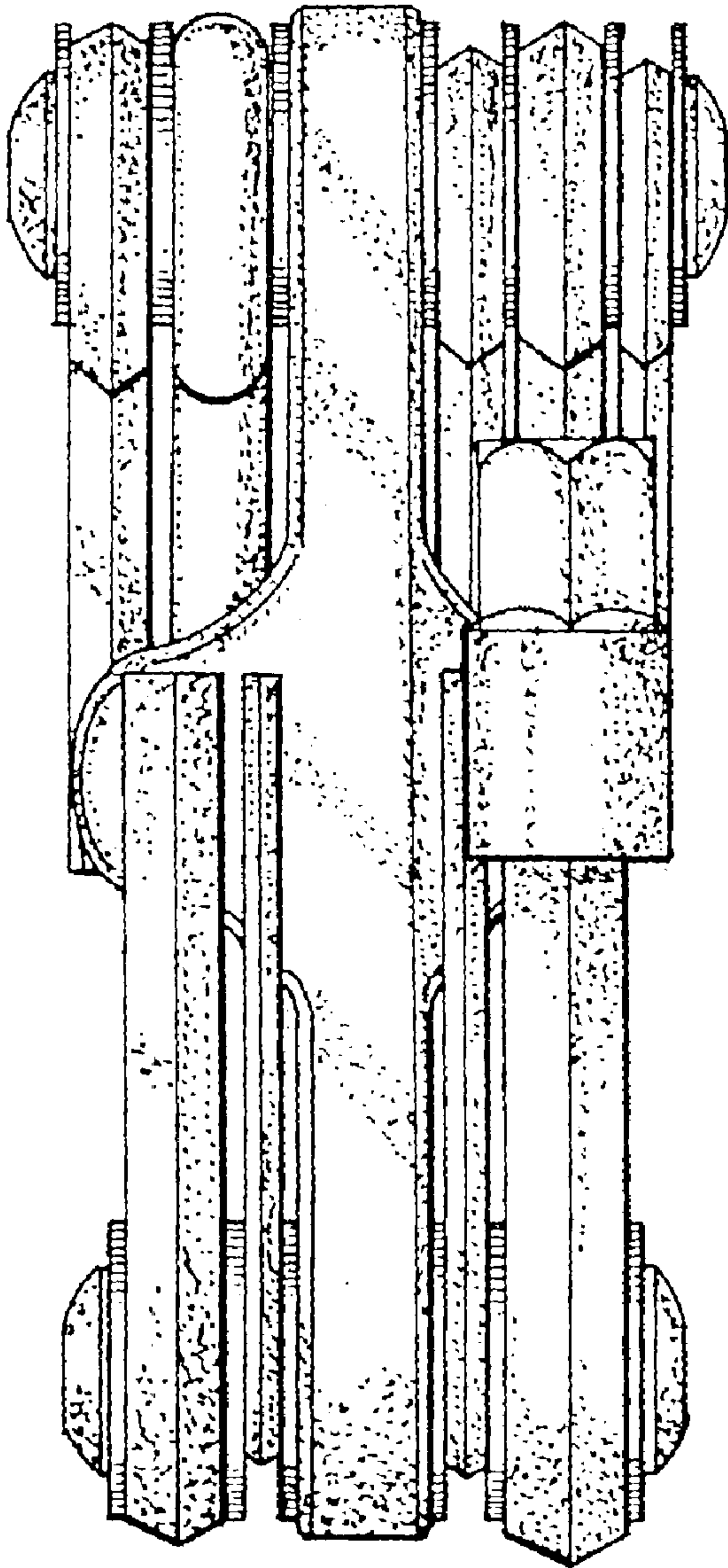


Fig. 4.

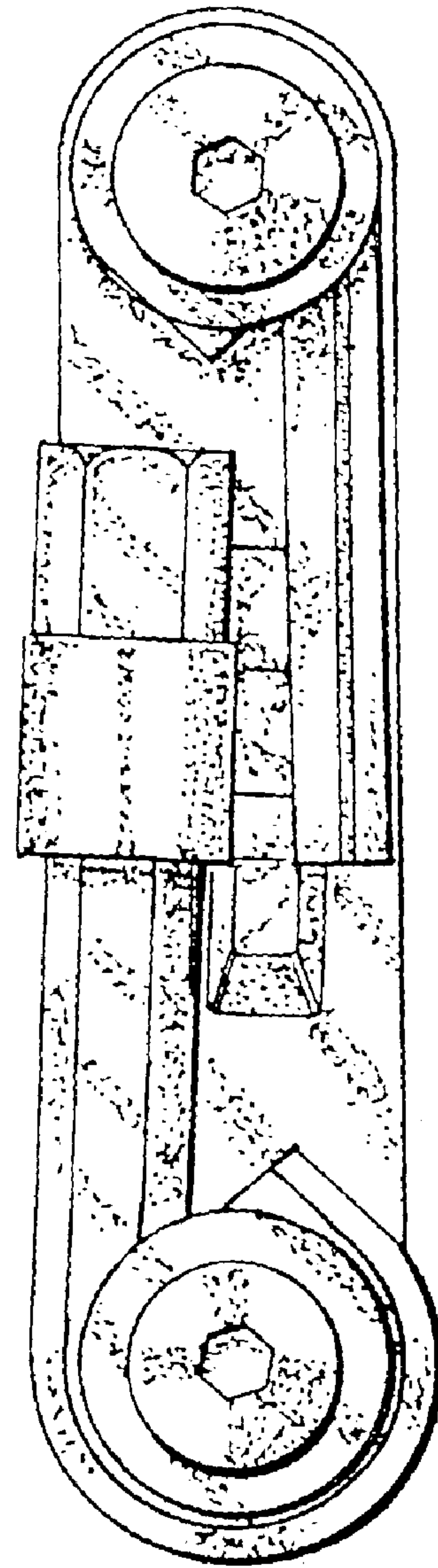


Fig. 5.

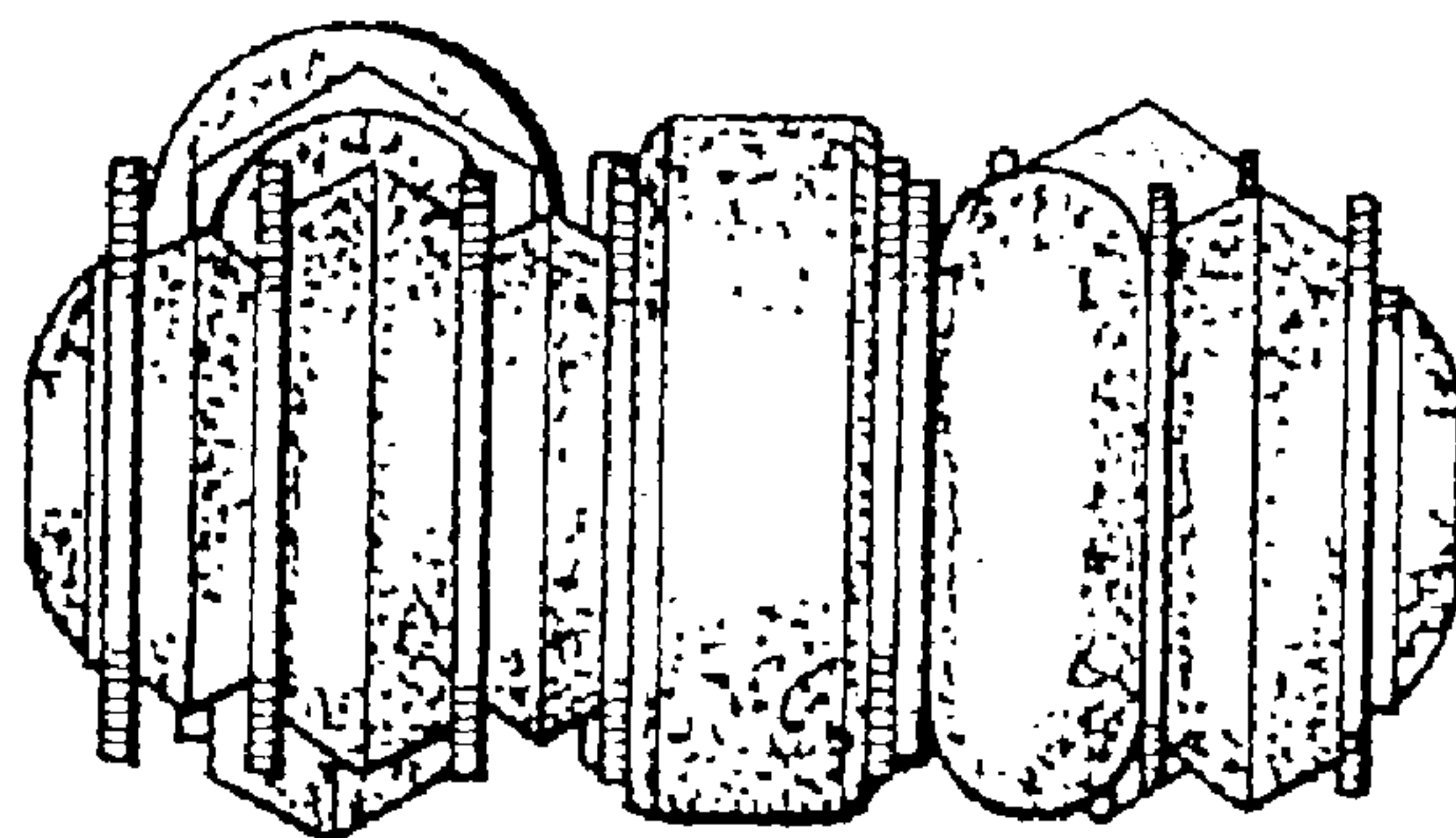


Fig. 6.

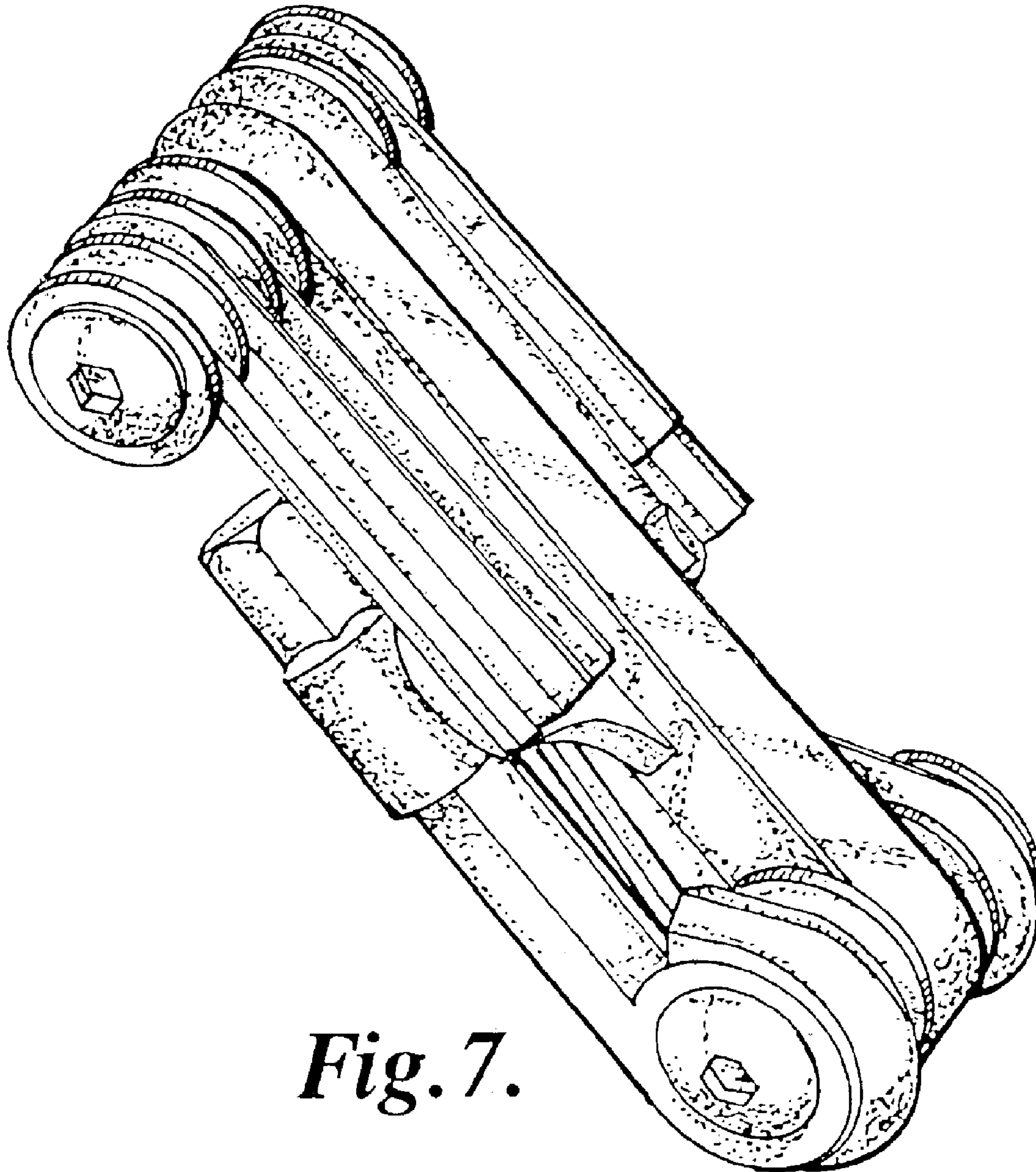


Fig. 7.