



US00D515390S

(12) **United States Design Patent**
Scimone

(10) **Patent No.:** **US D515,390 S**

(45) **Date of Patent:** **** Feb. 21, 2006**

(54) **ENVELOPE OPENER**

(76) **Inventor:** **Thomas John Scimone**, 1658 Hicks Ave., San Jose, CA (US) 95125

(**) **Term:** **14 Years**

(21) **Appl. No.:** **29/216,431**

(22) **Filed:** **Nov. 4, 2004**

(51) **LOC (8) Cl.** **08-03**

(52) **U.S. Cl.** **D8/102**

(58) **Field of Classification Search** D8/102,
D8/104, 48, 98, 41, 358; 16/DIG. 24; 30/DIG. 3,
30/294; 254/28; 7/160; D19/65; D6/524
See application file for complete search history.

(56) **References Cited**

U.S. PATENT DOCUMENTS

D209,420 S	*	11/1967	Snyder	D8/98
D294,467 S	*	3/1988	Wirkus et al.	D9/436
D307,859 S	*	5/1990	Morrissey	D8/98
D344,227 S	*	2/1994	Hsu	D8/102
D365,508 S	*	12/1995	Koch	D8/102

D405,995 S	*	2/1999	Harris	D6/524
D420,271 S	*	2/2000	Wenk	D8/102
D477,520 S	*	7/2003	McCracken	D8/98
D506,382 S	*	6/2005	McIntosh	D8/352

* cited by examiner

Primary Examiner—Cathron C. Brooks

Assistant Examiner—Austin Murphy

(74) *Attorney, Agent, or Firm*—Paul R. Martin

(57) **CLAIM**

I claim the ornamental design for an envelope opener, as shown and described.

DESCRIPTION

FIG. 1 is a perspective view of an envelope opener showing my new design;

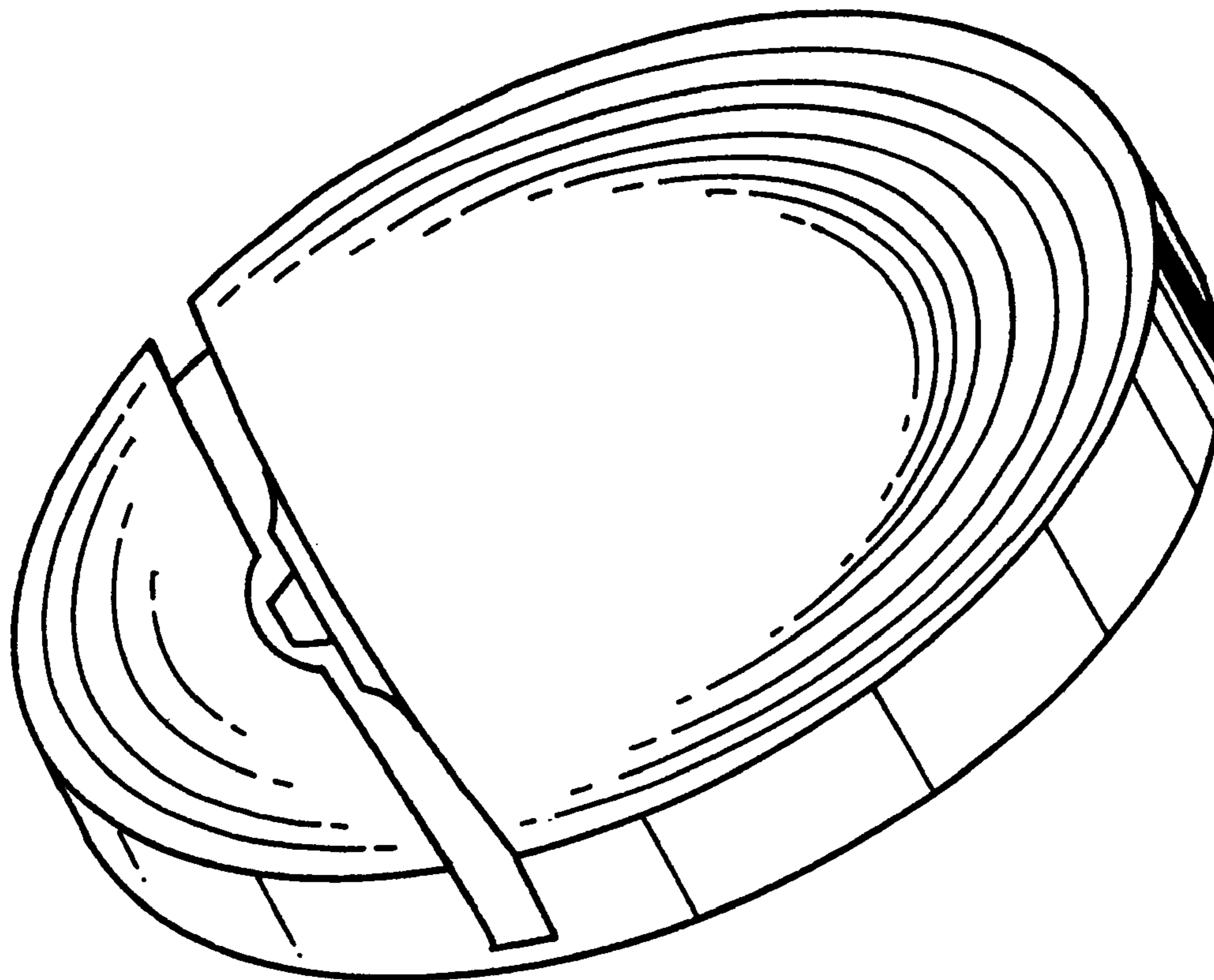
FIG. 2 is a perspective view of the envelope opener from the opposite side;

FIG. 3 is a front elevational view of the envelope opener;

FIG. 4 is a side elevational view of the envelope opener; and,

FIG. 5 is a top plan view of the envelope opener.

1 Claim, 1 Drawing Sheet



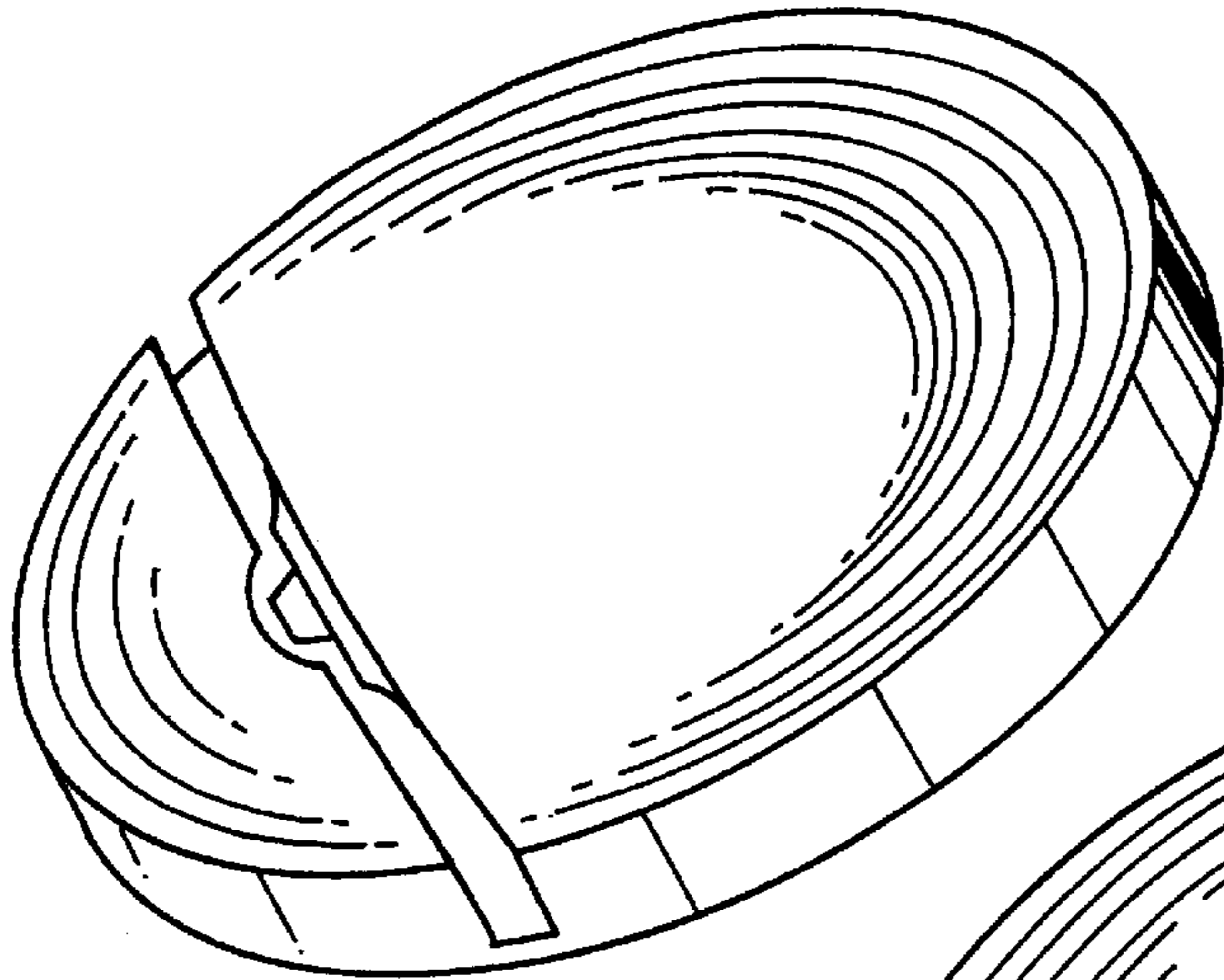


FIG. 1

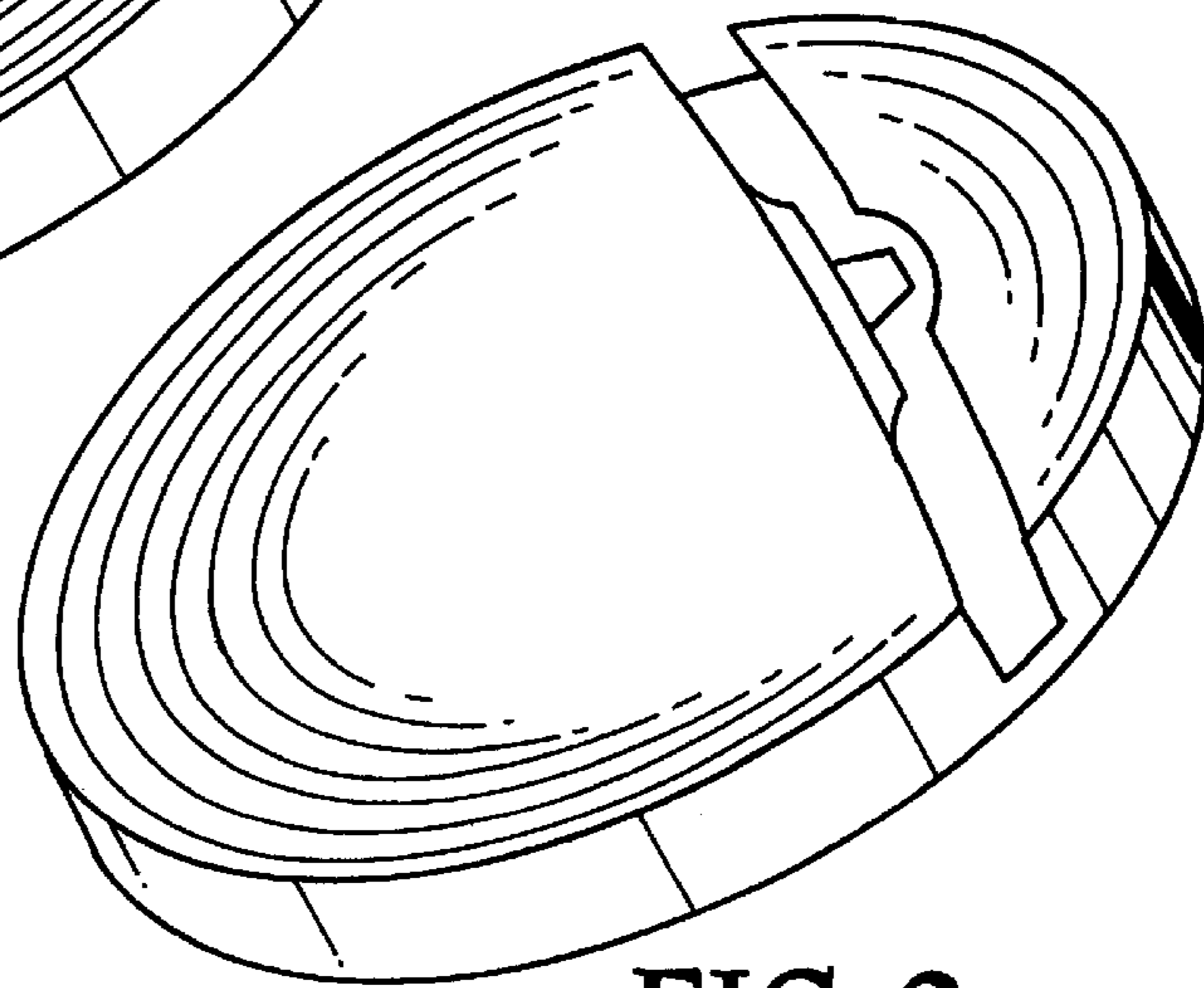


FIG. 2

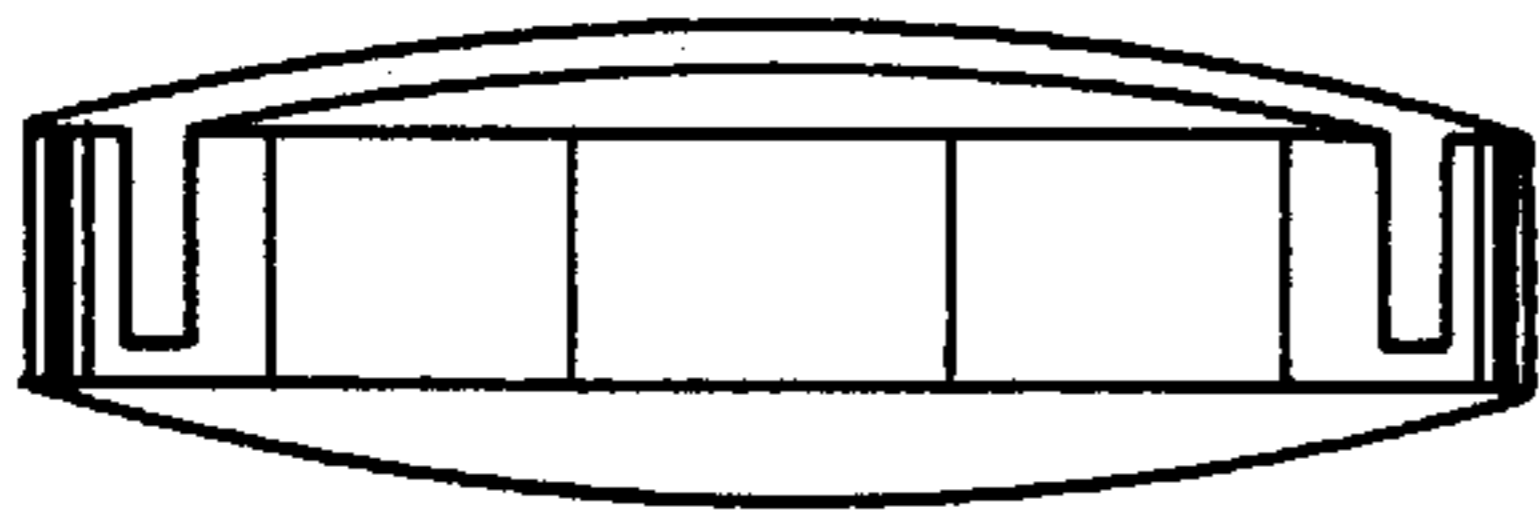


FIG. 3

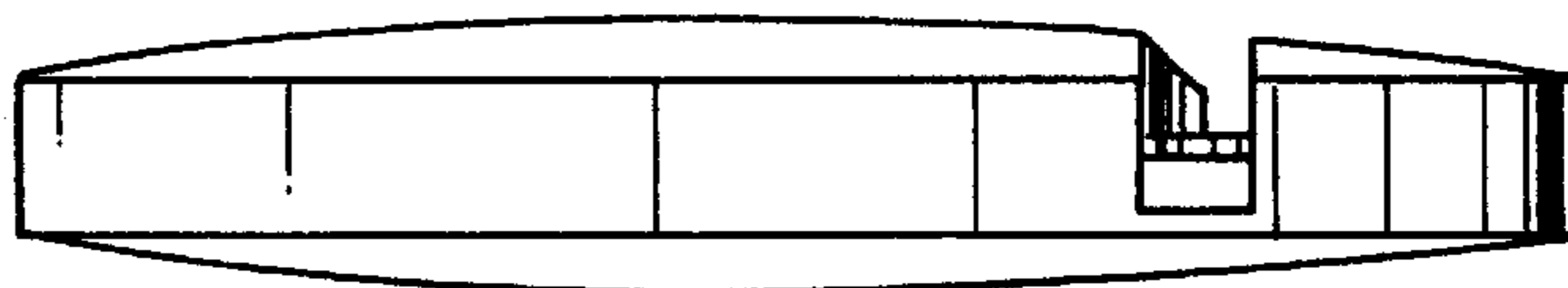


FIG. 4

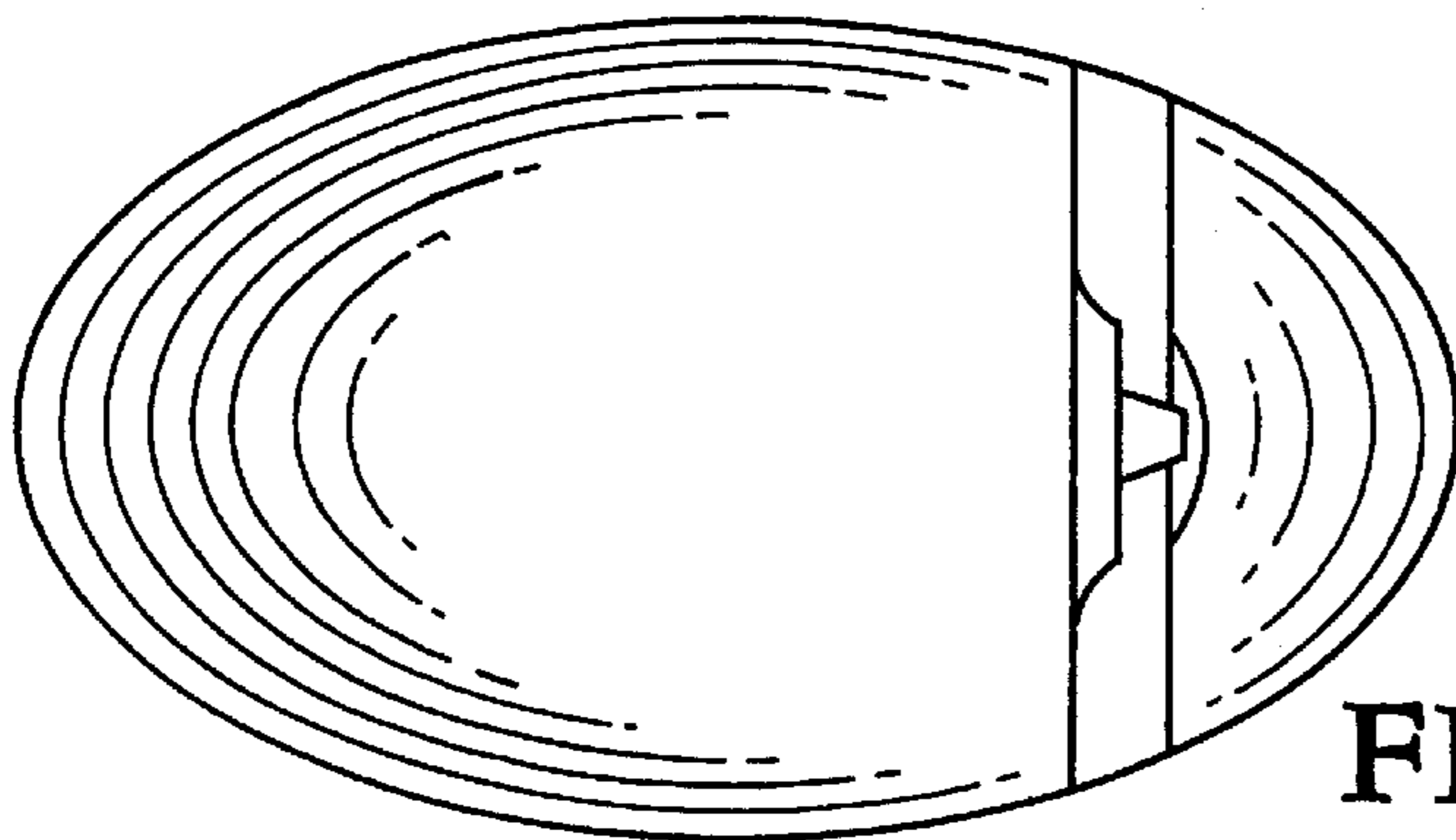


FIG. 5