



US00D515389S

(12) **United States Design Patent**  
**Hsu**

(10) **Patent No.:** **US D515,389 S**

(45) **Date of Patent:** **\*\* Feb. 21, 2006**

(54) **SCREWDRIVER HANDLE**

(76) **Inventor:** **Huang-Tung Hsu**, 14, Yi Hsin 2 St.,  
Taichung Hsien (TW)

(\*\*) **Term:** **14 Years**

(21) **Appl. No.:** **29/210,185**

(22) **Filed:** **Jul. 29, 2004**

(51) **LOC (8) Cl.** ..... **08-04**

(52) **U.S. Cl.** ..... **D8/83**

(58) **Field of Classification Search** ..... D8/82,  
D8/83, 84, 85, 86, 87, 107; 81/177.1, 436,  
81/438, 439, 440, 489; 16/110.1, 421, 430  
See application file for complete search history.

(56) **References Cited**

**U.S. PATENT DOCUMENTS**

D398,828 S	*	9/1998	Shiao	.....	D8/83
D408,258 S	*	4/1999	Tsai	.....	D8/107
D414,095 S	*	9/1999	Hoepfl et al.	.....	D8/83
D422,475 S	*	4/2000	Su	.....	D8/83
D422,870 S	*	4/2000	Chen	.....	D8/83
D441,269 S	*	5/2001	Tsai	.....	D8/83

D444,370 S	*	7/2001	Chang	.....	D8/107
D454,477 S	*	3/2002	Lin	.....	D8/83
D461,385 S	*	8/2002	Chen	.....	D8/83
D479,112 S	*	9/2003	Wu	.....	D8/83
D481,922 S	*	11/2003	Yu et al.	.....	D8/107
D494,443 S	*	8/2004	Saunders	.....	D8/107

\* cited by examiner

*Primary Examiner*—Philip S. Hyder

(74) *Attorney, Agent, or Firm*—Alan D. Kamrath; Nikolai & Mersereau, P.A.

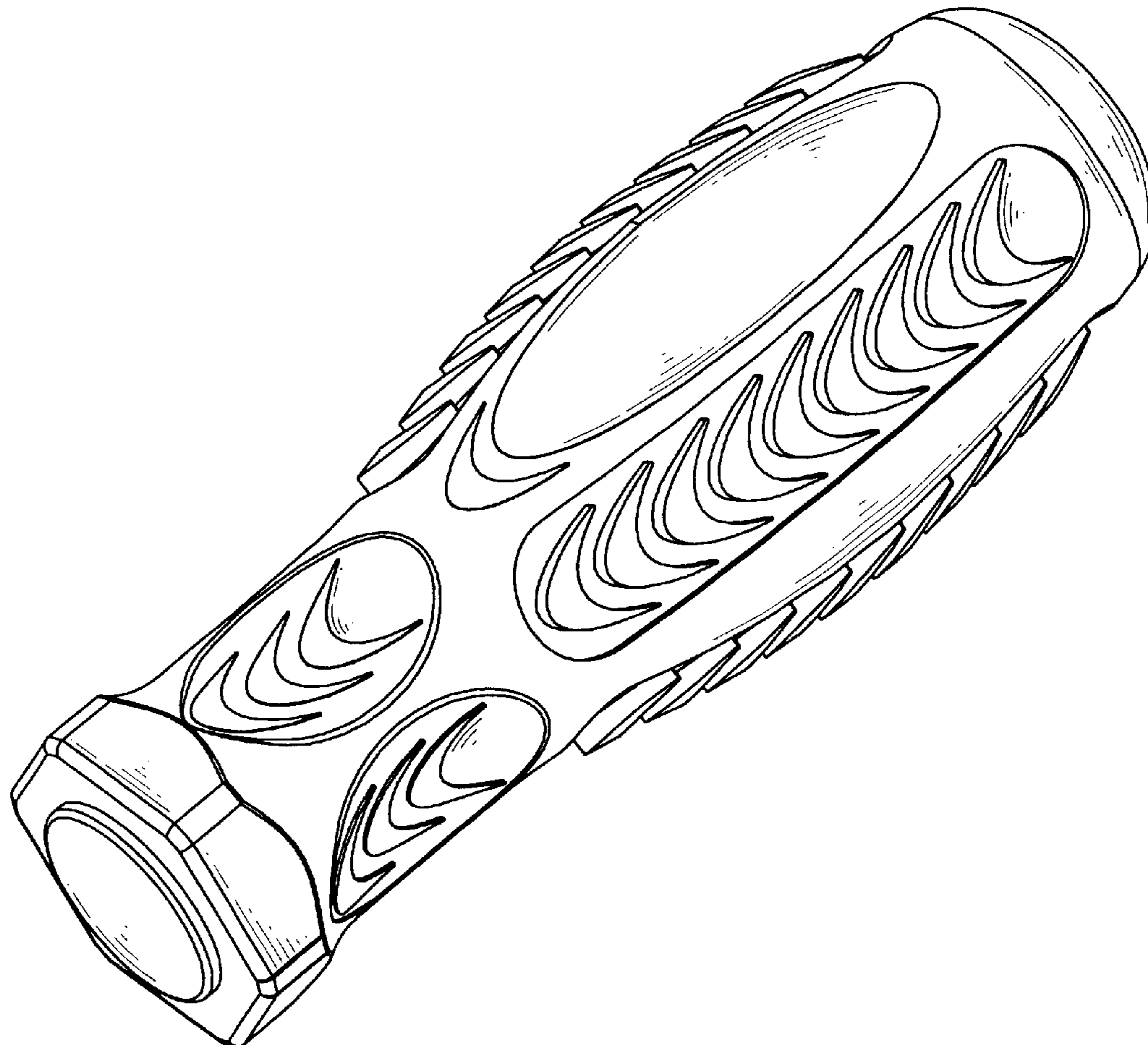
(57) **CLAIM**

The ornamental design for a screwdriver handle, as shown and described.

**DESCRIPTION**

FIG. 1 is a perspective view of a screwdriver handle showing my design;  
FIG. 2 is a front elevational view thereof;  
FIG. 3 is a top plan view thereof;  
FIG. 4 is a right side elevational view thereof; and,  
FIG. 5 is a left side elevational view thereof.

**1 Claim, 4 Drawing Sheets**



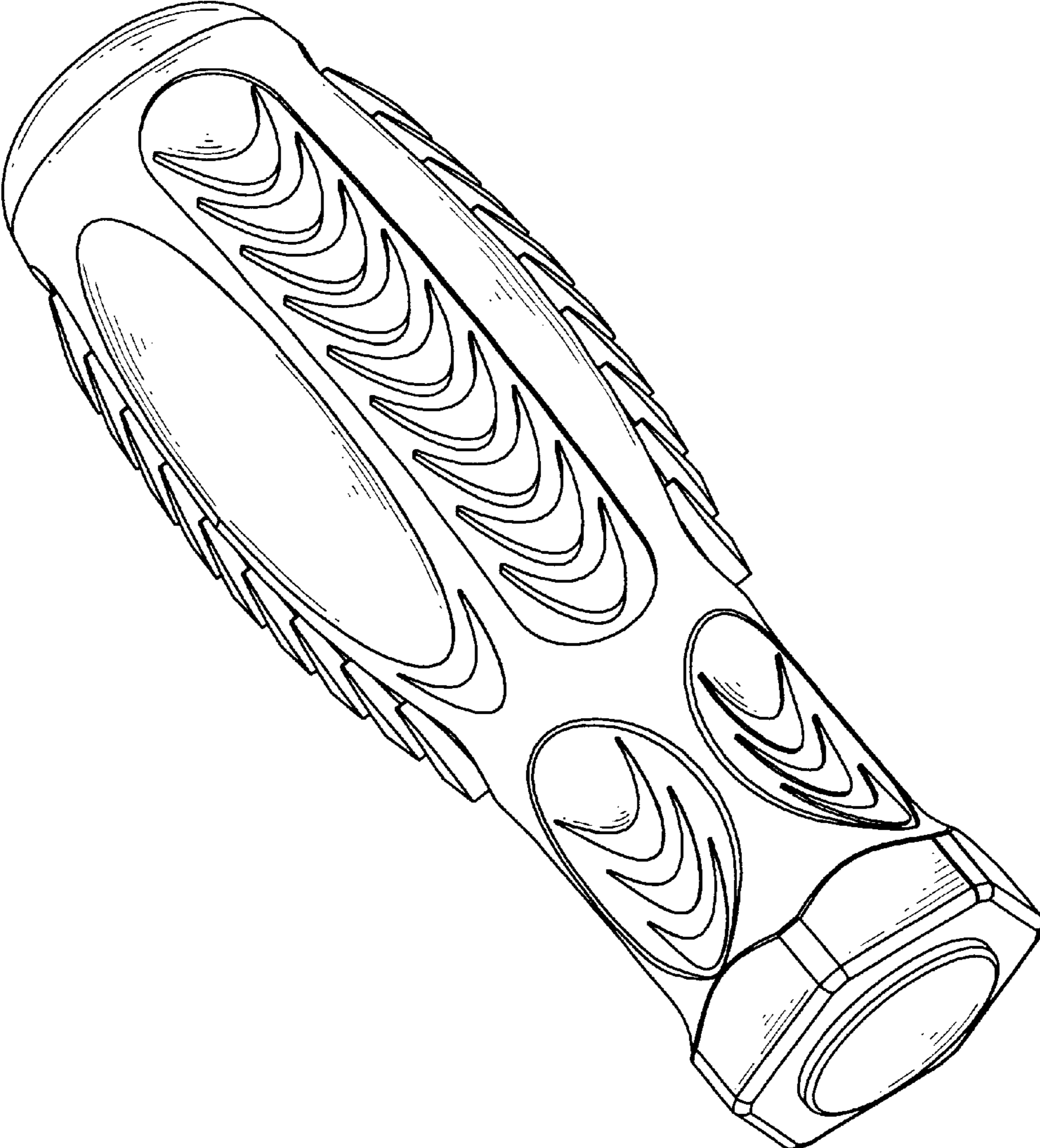


FIG.1

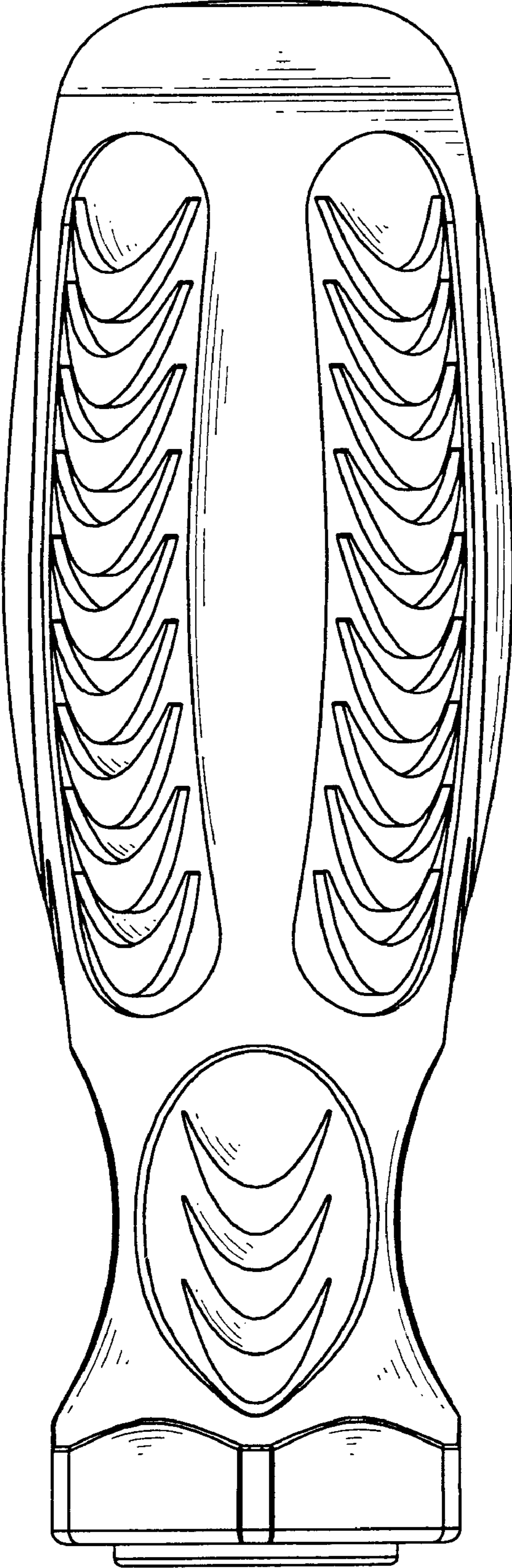


FIG. 2

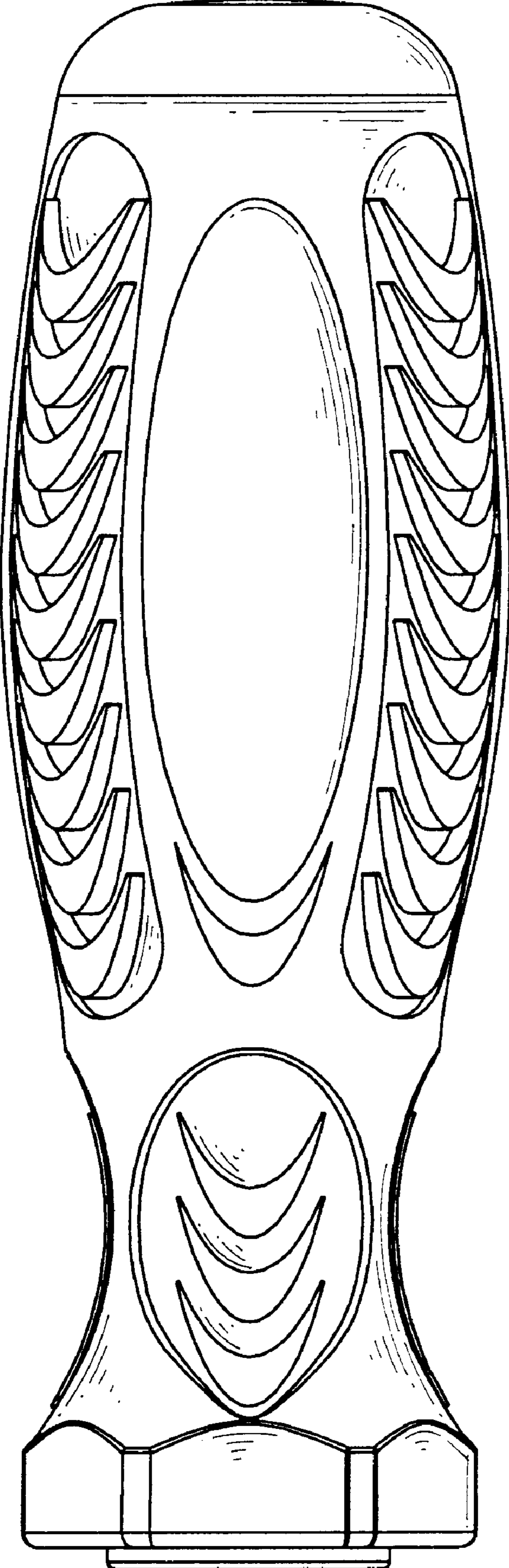


FIG.3

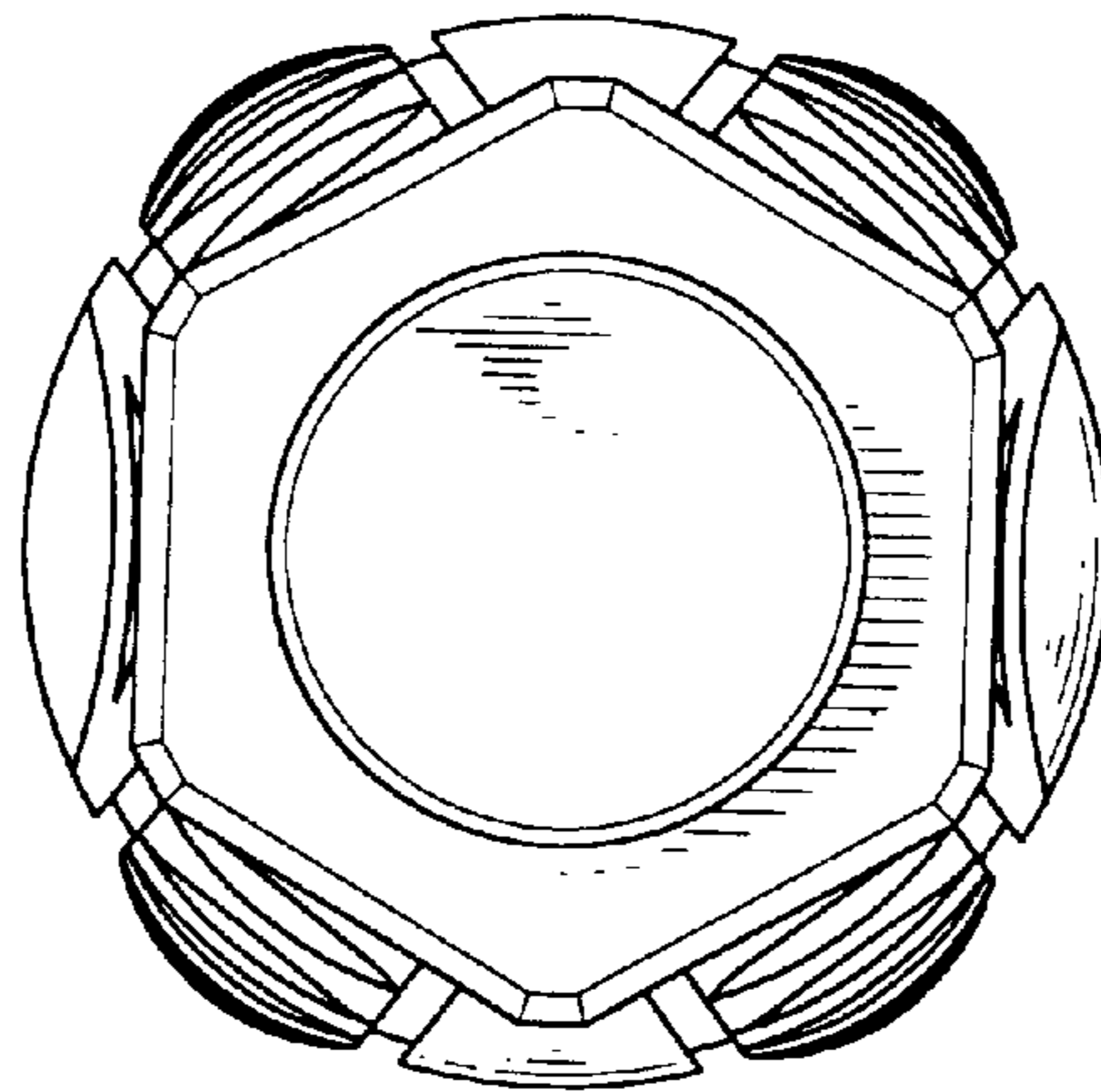


FIG.5

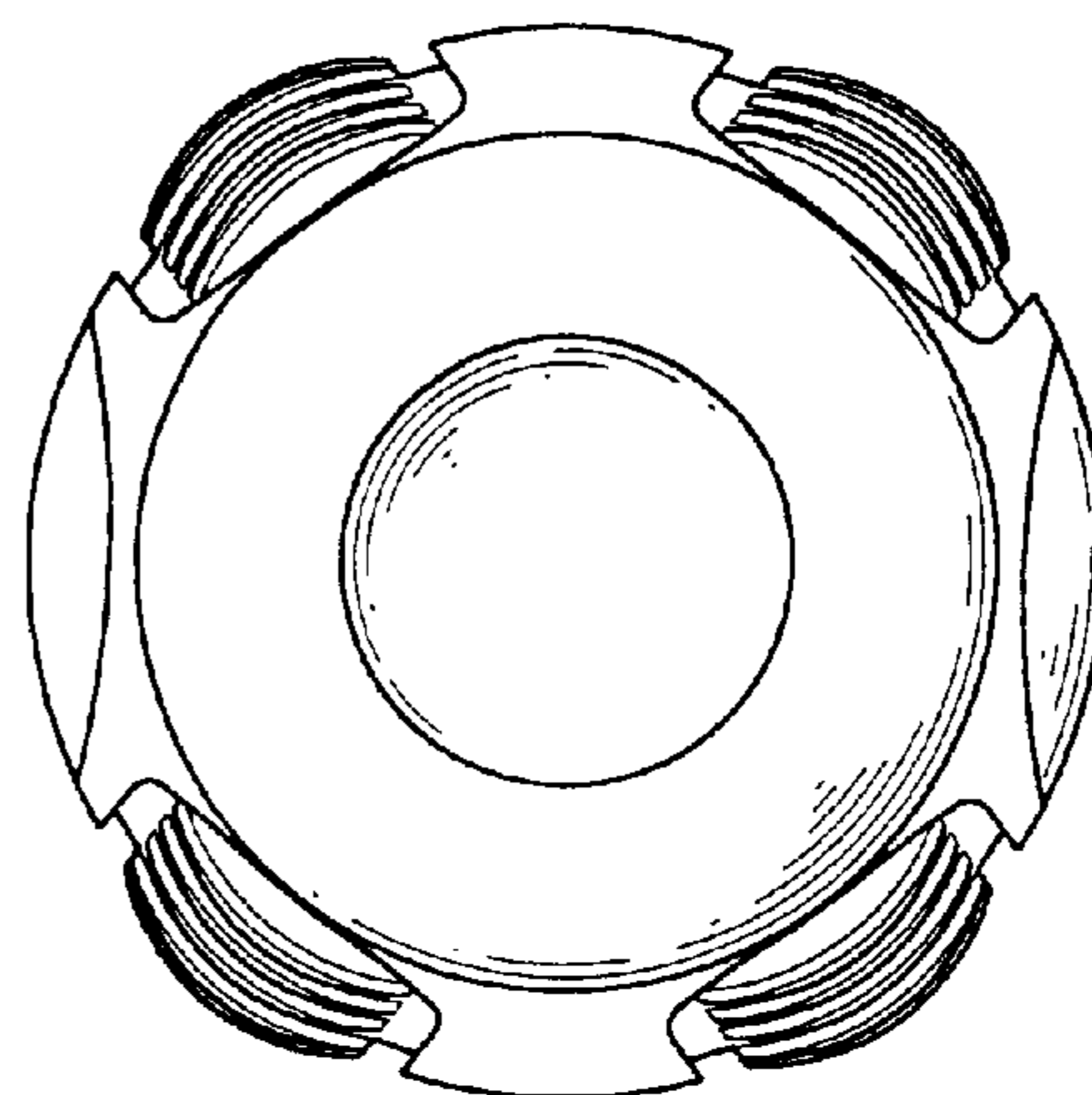


FIG.4