



US00D515384S

(12) **United States Design Patent**
Hutchings

(10) **Patent No.:** **US D515,384 S**

(45) **Date of Patent:** **** Feb. 21, 2006**

(54) **NAIL GUN FLUSH DRIVE ATTACHMENT**

D502,637 S * 3/2005 Hattori et al. D8/68

(76) **Inventor:** **Robert Hutchings**, 806 Singing Drum
Dr., Henderson, NV (US) 89015

* cited by examiner

Primary Examiner—Holly Baynham
Assistant Examiner—T. Chase Nelson
(74) *Attorney, Agent, or Firm*—Krajec Patent Offices, LLC;
Russell S. Krajec

(**) **Term:** **14 Years**

(21) **Appl. No.:** **29/220,695**

(57) **CLAIM**

(22) **Filed:** **Jan. 4, 2005**

The ornamental design for a nail gun flush drive attachment,
as shown and described.

(51) **LOC (8) Cl.** **08-05**

DESCRIPTION

(52) **U.S. Cl.** **D8/70**

(58) **Field of Classification Search** D8/61,
D8/62, 63, 64, 65, 66, 67, 68, 69, 70; D15/133,
D15/138, 139, 140; 227/10, 120, 130
See application file for complete search history.

FIG. 1 is an isometric view of a nail gun flush drive
attachment showing my new design.

FIG. 2 is a bottom view thereof.

FIG. 3 is a front view thereof.

FIG. 4 is a left side view thereof.

FIG. 5 is a right side view thereof; and,

FIG. 6 is a rear view thereof.

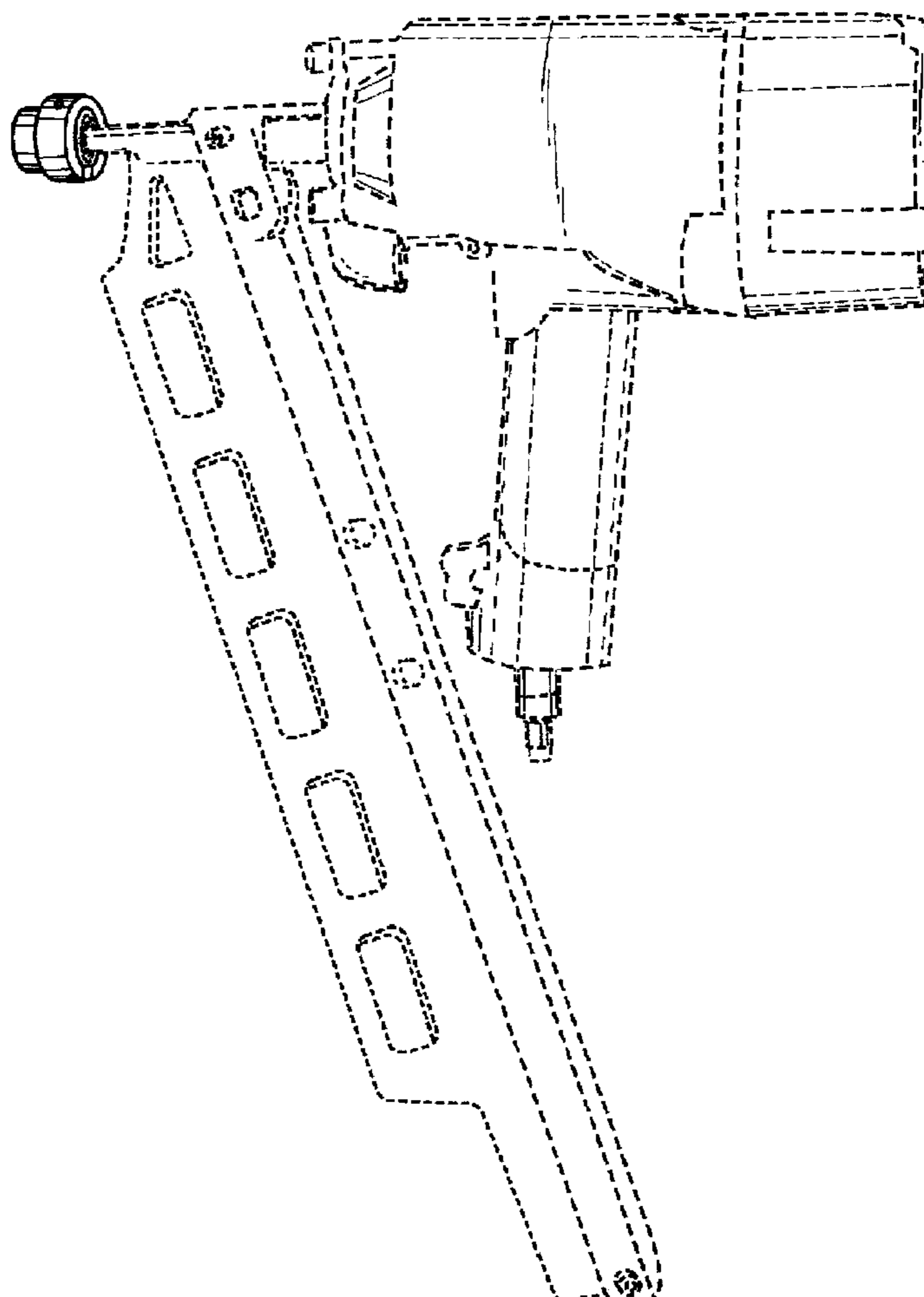
The broken line showing of environmental structure is for
illustrative purposes only and forms no part of the claimed
design.

(56) **References Cited**

U.S. PATENT DOCUMENTS

- 4,519,536 A * 5/1985 Steigauf 227/149
- D337,252 S * 7/1993 Tsuru et al. D8/69
- D435,206 S * 12/2000 Etter et al. D8/68

1 Claim, 6 Drawing Sheets



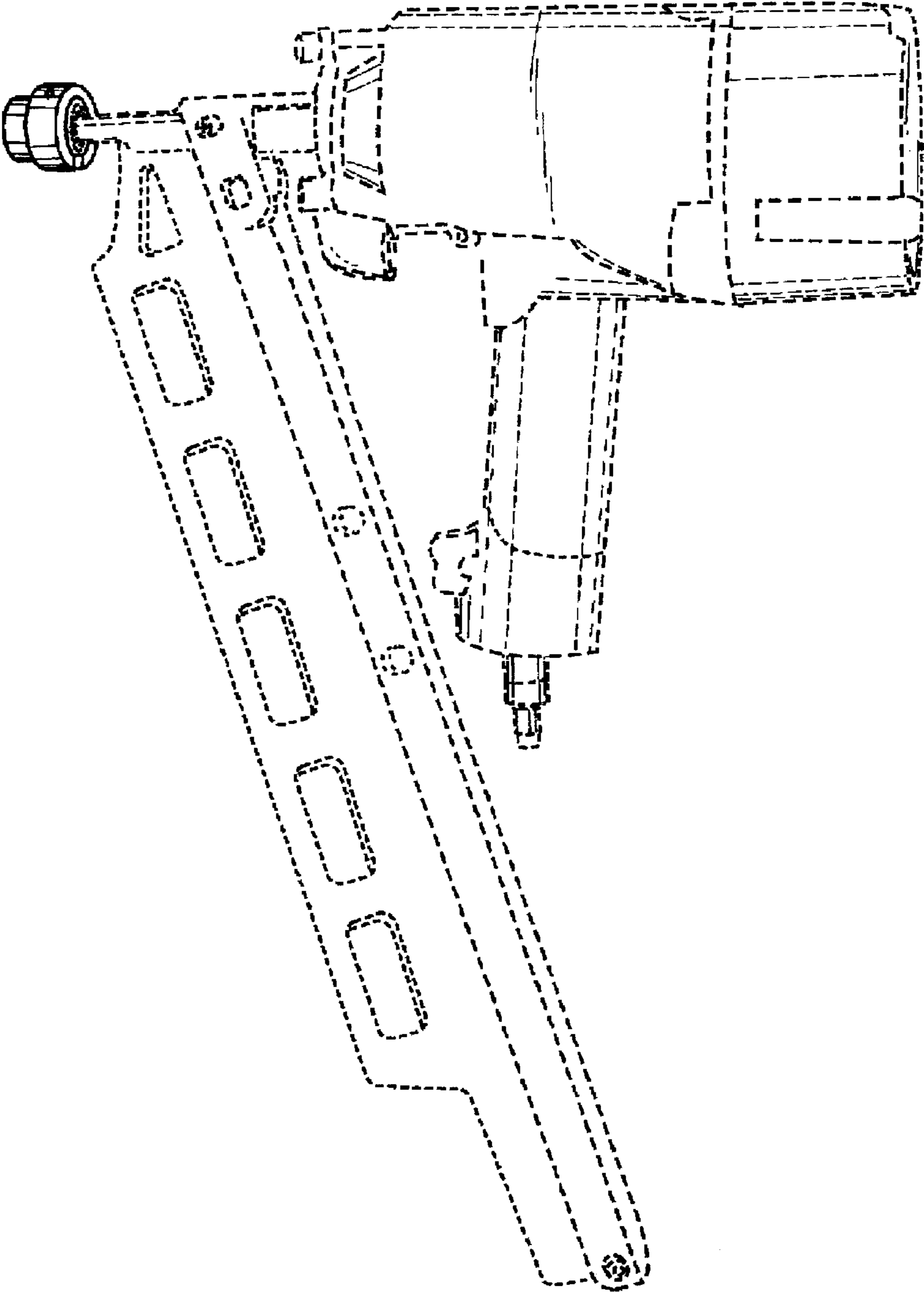


FIGURE 1

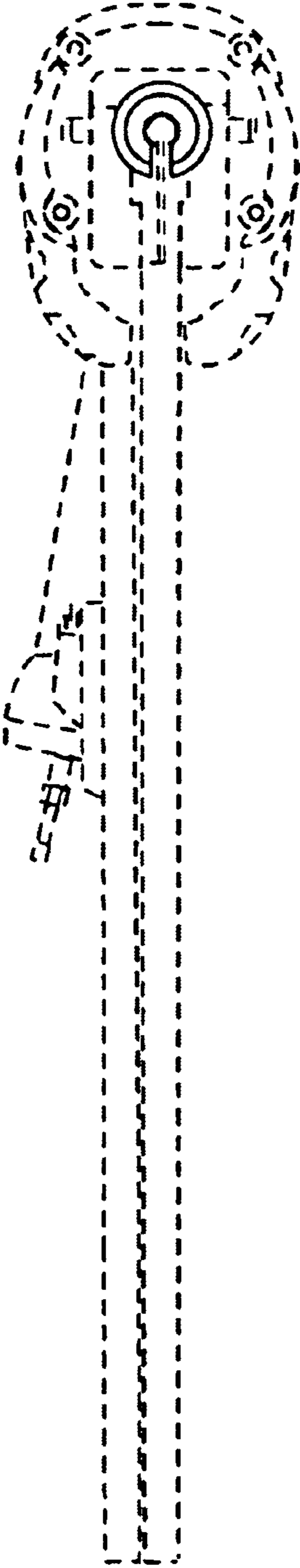


FIGURE 2

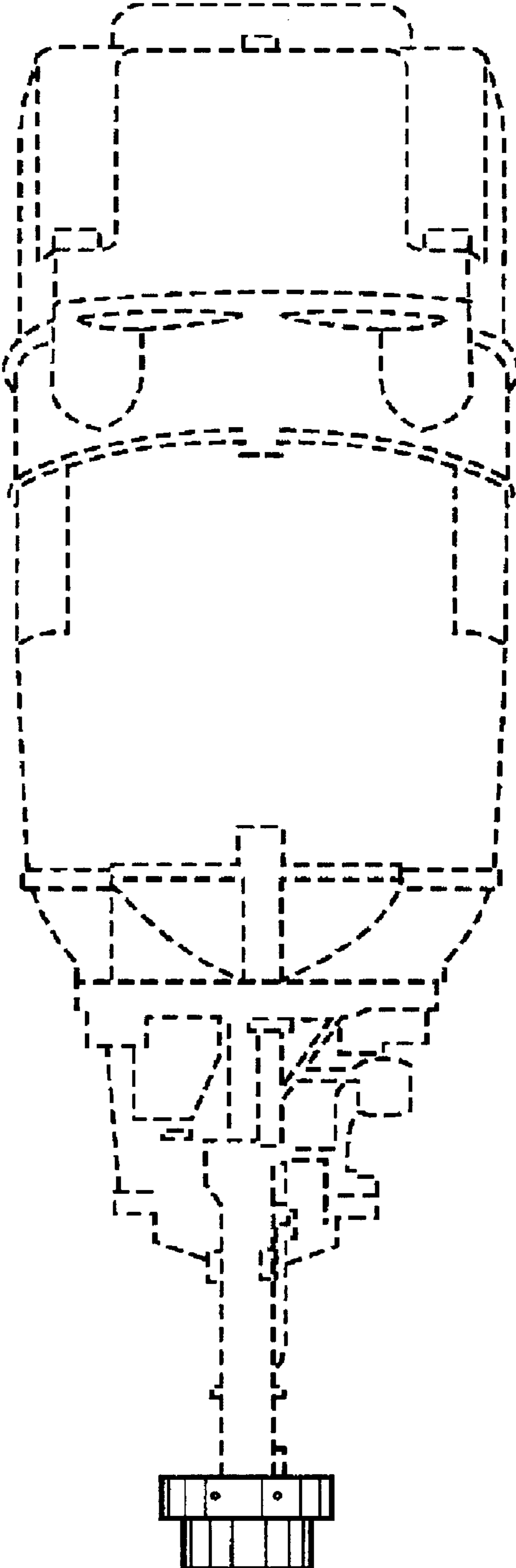


FIGURE 3

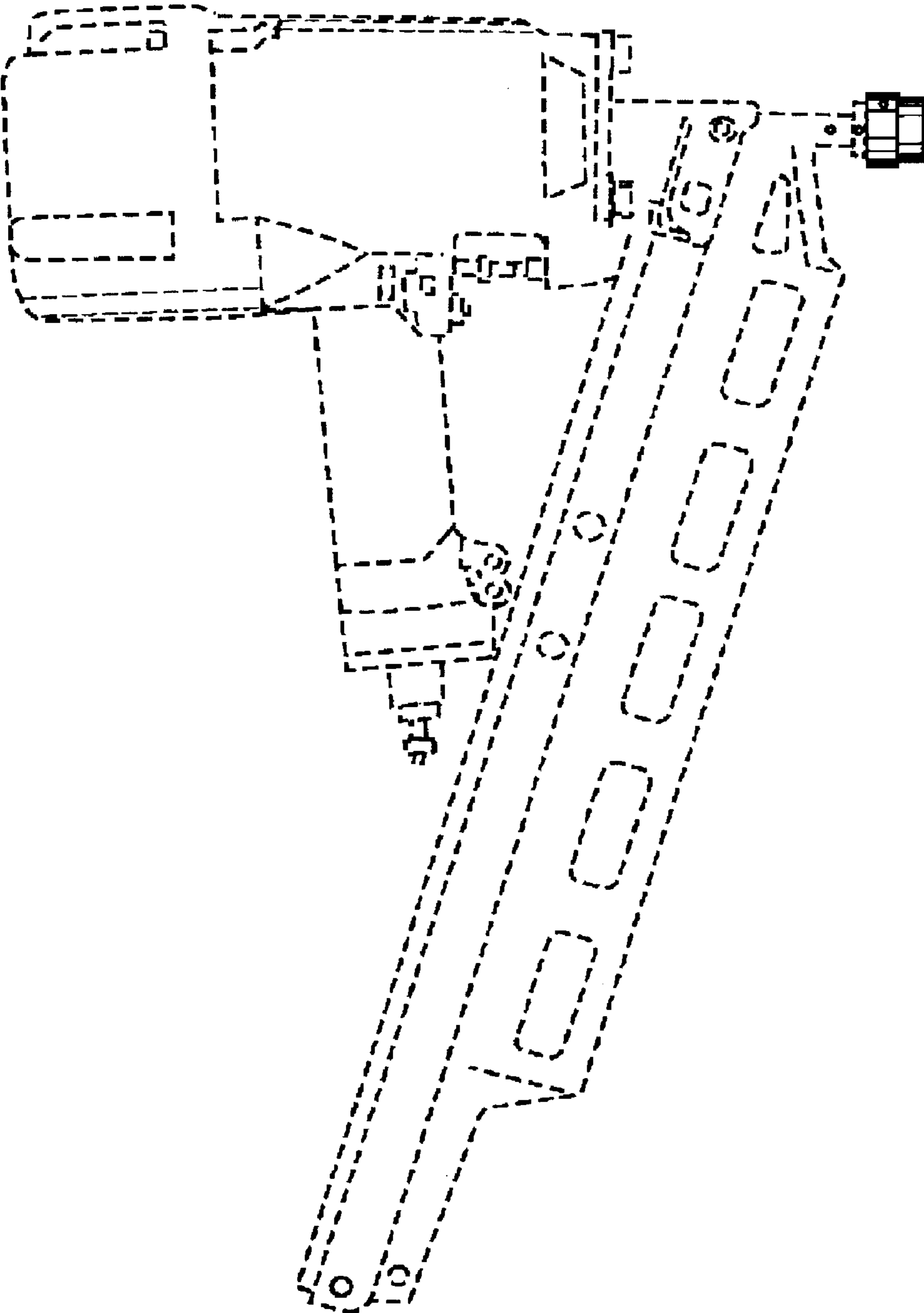


FIGURE 4

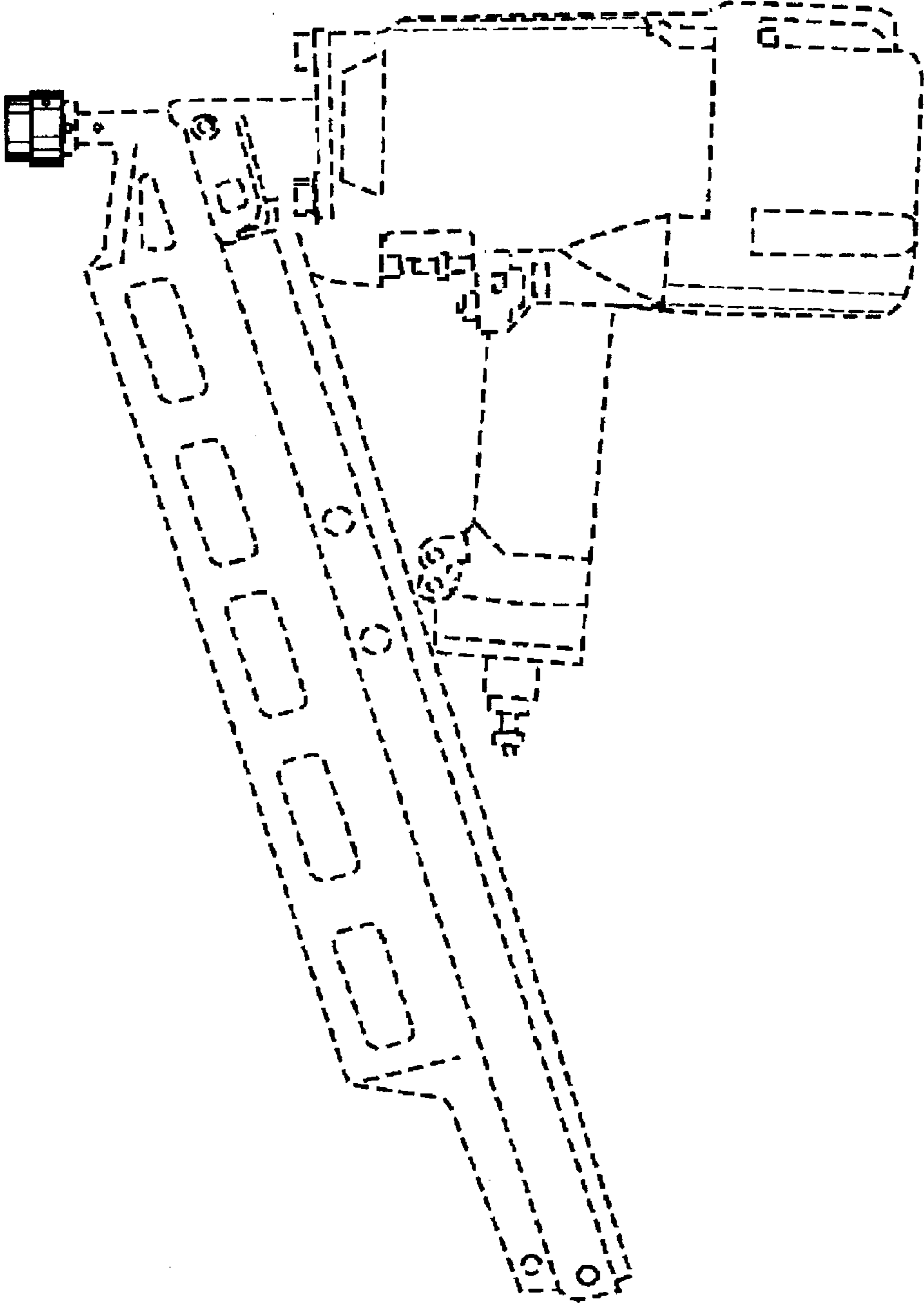


FIGURE 5

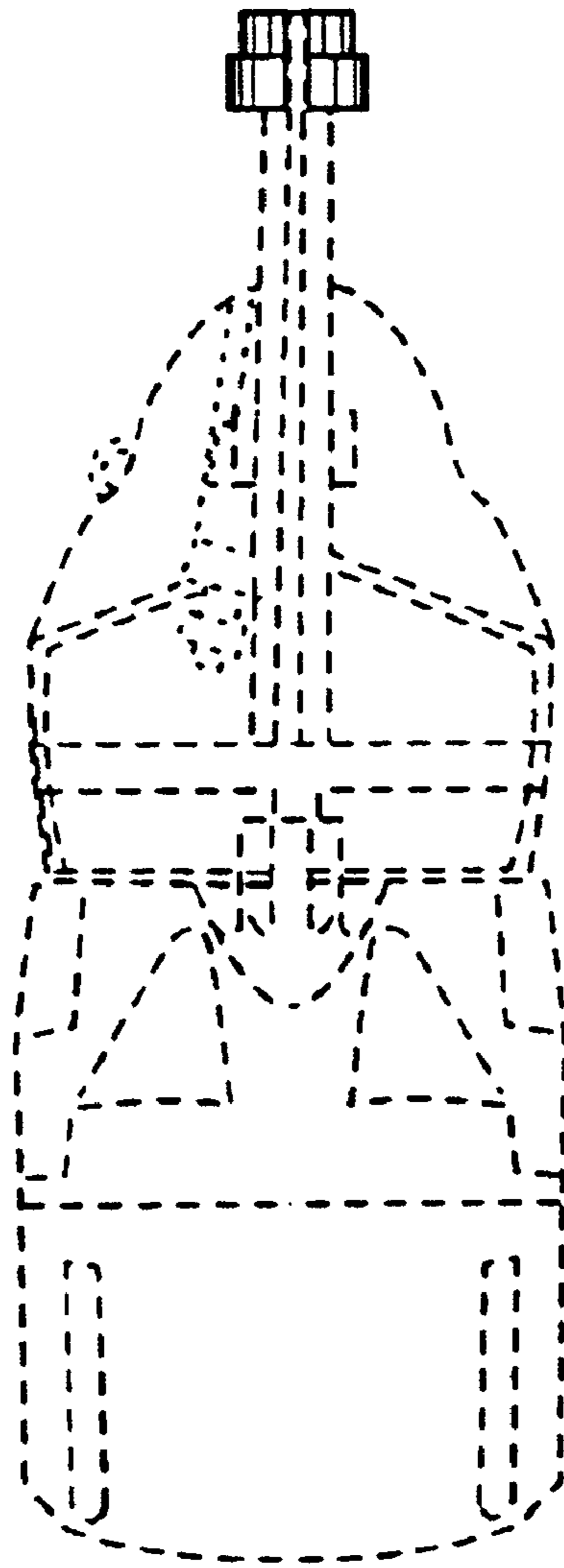


FIGURE 6