



US00D515383S

(12) **United States Design Patent** (10) **Patent No.:** **US D515,383 S**
Aglassinger (45) **Date of Patent:** **** Feb. 21, 2006**

(54) **HAMMER DRILL**

(75) Inventor: **Hans-Peter Aglassinger**, Esslingen (DE)

(73) Assignee: **Robert Bosch GmbH**, Stuttgart (DE)

(**) Term: **14 Years**

(21) Appl. No.: **29/220,707**

(22) Filed: **Jan. 4, 2005**

(30) **Foreign Application Priority Data**

Sep. 27, 2004 (DE) 404 05 513

(51) **LOC (8) Cl.** **08-01**

(52) **U.S. Cl.** **D8/69**

(58) **Field of Classification Search** D8/14.1,
D8/61, 62, 63, 64, 65, 66, 67, 68, 69, 70;
81/57.11, 429, 464, 465, 466, 469, 489; 173/13,
173/169, 178, 213, 217; 227/8, 114, 120,
227/130, 136, 142; 310/50; 408/20, 124,
408/125, 234, 241 R; 451/358

See application file for complete search history.

(56) **References Cited**

U.S. PATENT DOCUMENTS

- D349,029 S * 7/1994 Matsunaga et al. D8/69
- D361,252 S * 8/1995 De Neergaard et al. D8/69
- D395,586 S * 6/1998 Arakawa et al. D8/69
- 5,996,707 A * 12/1999 Thome et al. 173/217
- D447,032 S * 8/2001 Schoen et al. D8/67

- D466,780 S * 12/2002 Stirm D8/69
- 6,681,869 B2 * 1/2004 Wursch et al. 173/178
- 6,776,245 B2 * 8/2004 Kristen et al. 173/217
- 2002/0021947 A1 * 2/2002 Hofmann et al. 408/241 R
- 2003/0070823 A1 * 4/2003 Kristen et al. 173/217
- 2003/0188877 A1 * 10/2003 Saur et al. 173/13

FOREIGN PATENT DOCUMENTS

- GB 2077130 S * 2/1998
- GB 2084054 S * 12/1998
- GB 2096746 * 4/2000

* cited by examiner

Primary Examiner—Gary D. Watson

Assistant Examiner—T. Chase Nelson

(74) *Attorney, Agent, or Firm*—Kenyon & Kenyon

(57) **CLAIM**

The ornamental design for a hammer drill, as shown and described.

DESCRIPTION

FIG. 1 is a perspective view of a hammer drill showing my new design;

FIG. 2 is a top view thereof;

FIG. 3 is a left side view thereof;

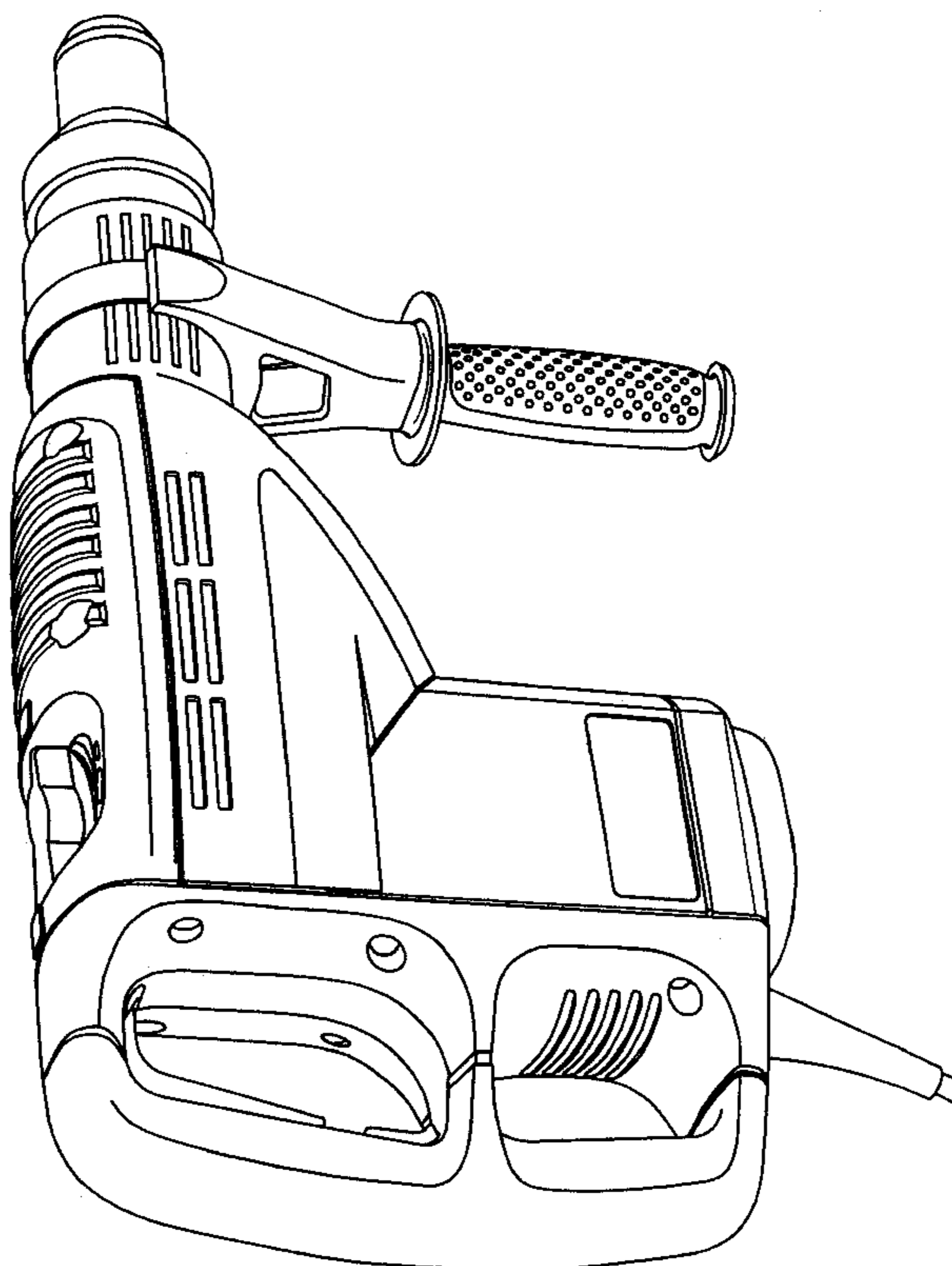
FIG. 4 is a bottom view thereof;

FIG. 5 is a right side view thereof;

FIG. 6 is a rear view thereof; and,

FIG. 7 is a front view thereof.

1 Claim, 5 Drawing Sheets



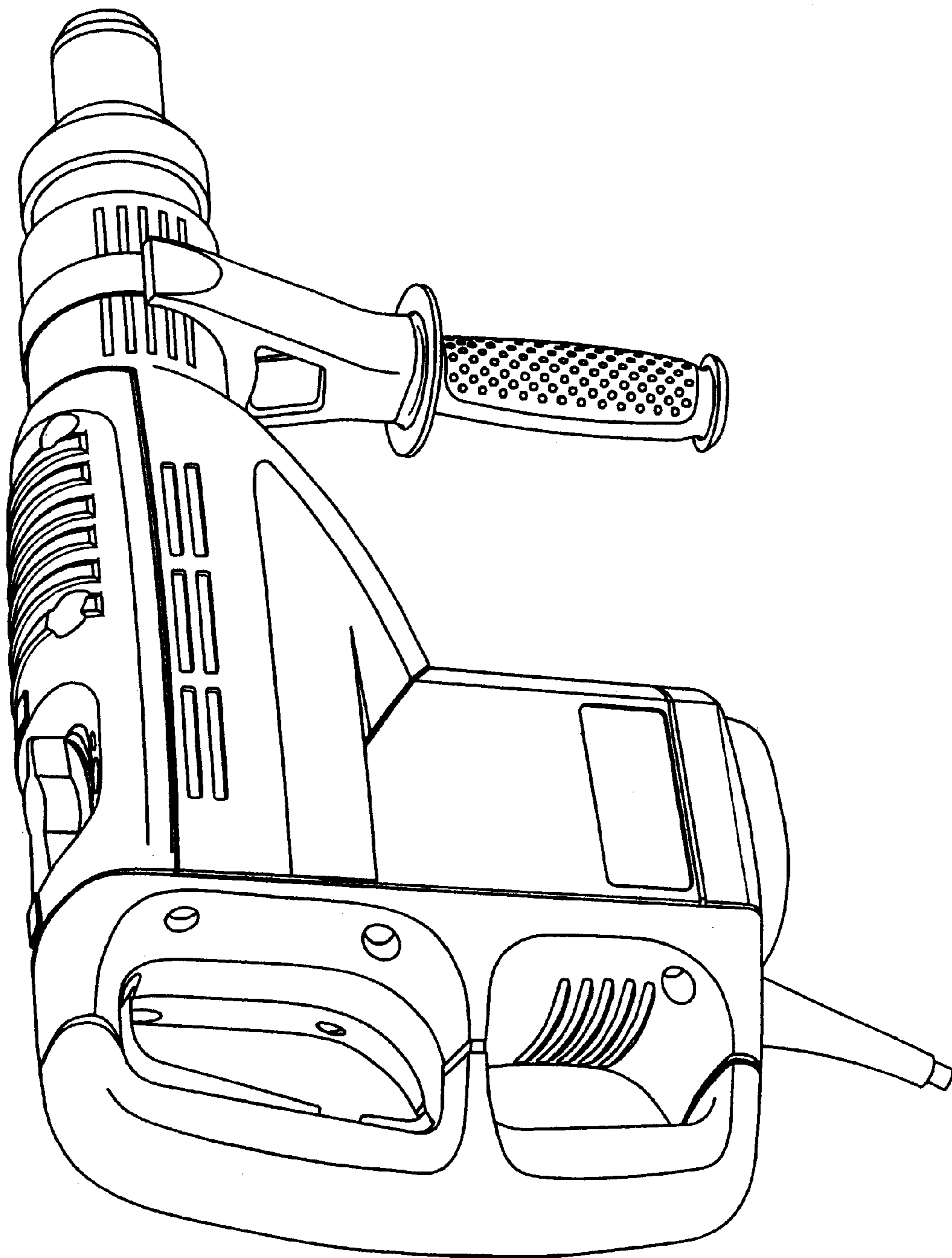


FIG. 1

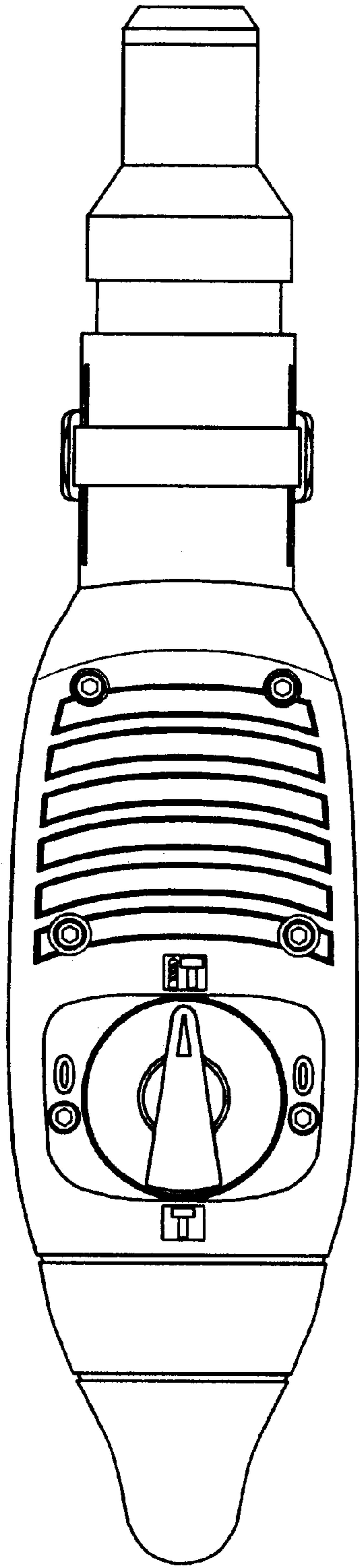


FIG. 2

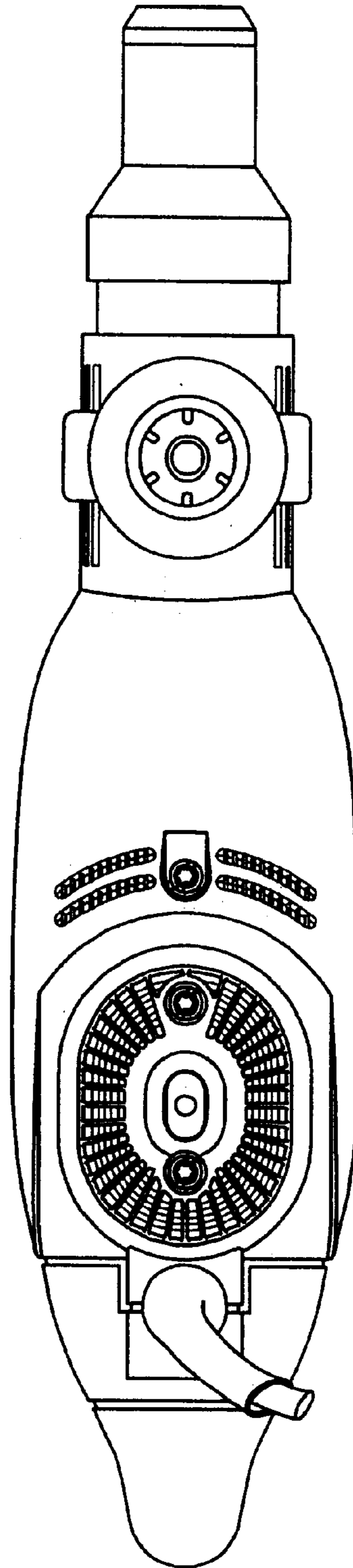


FIG. 4

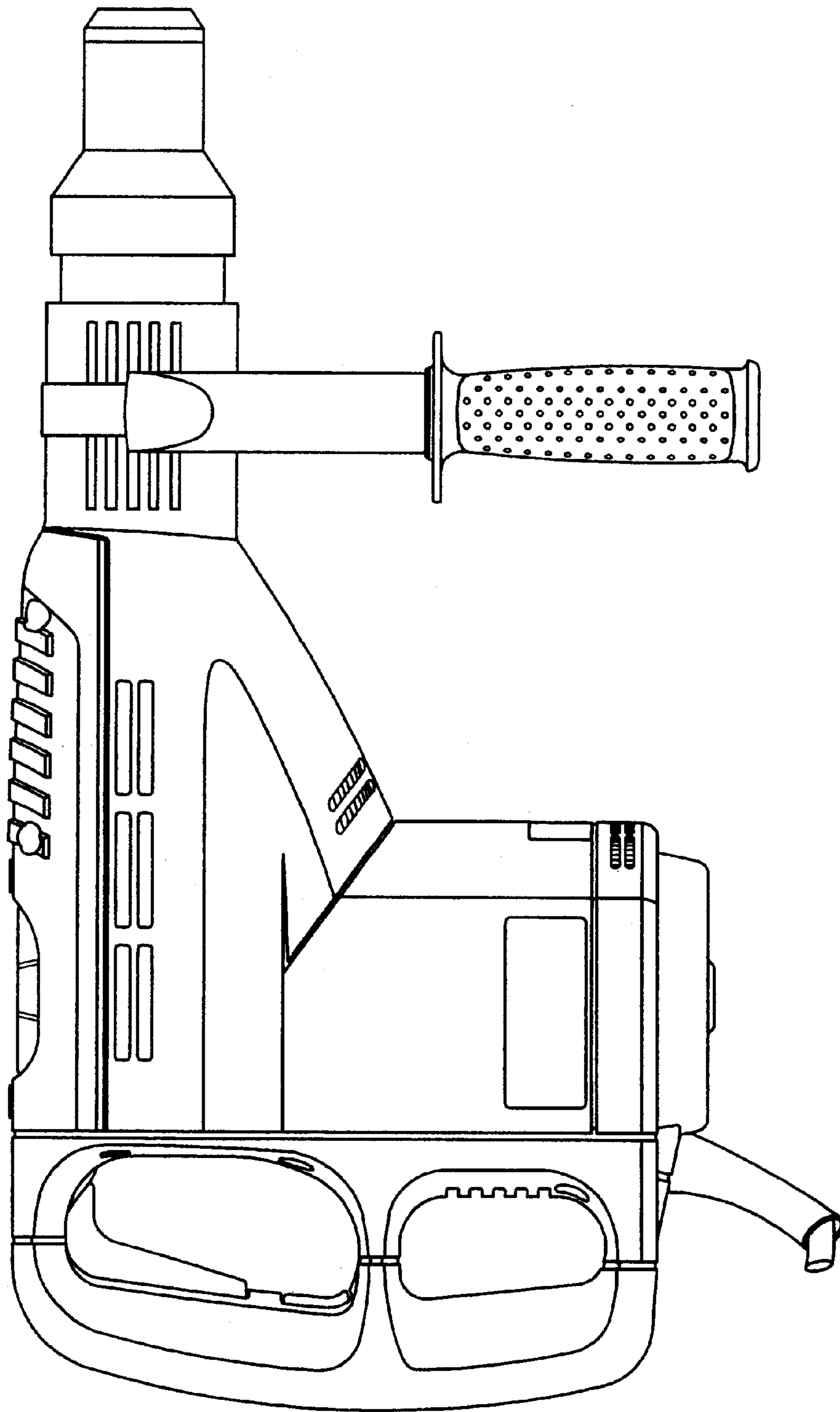


FIG. 3

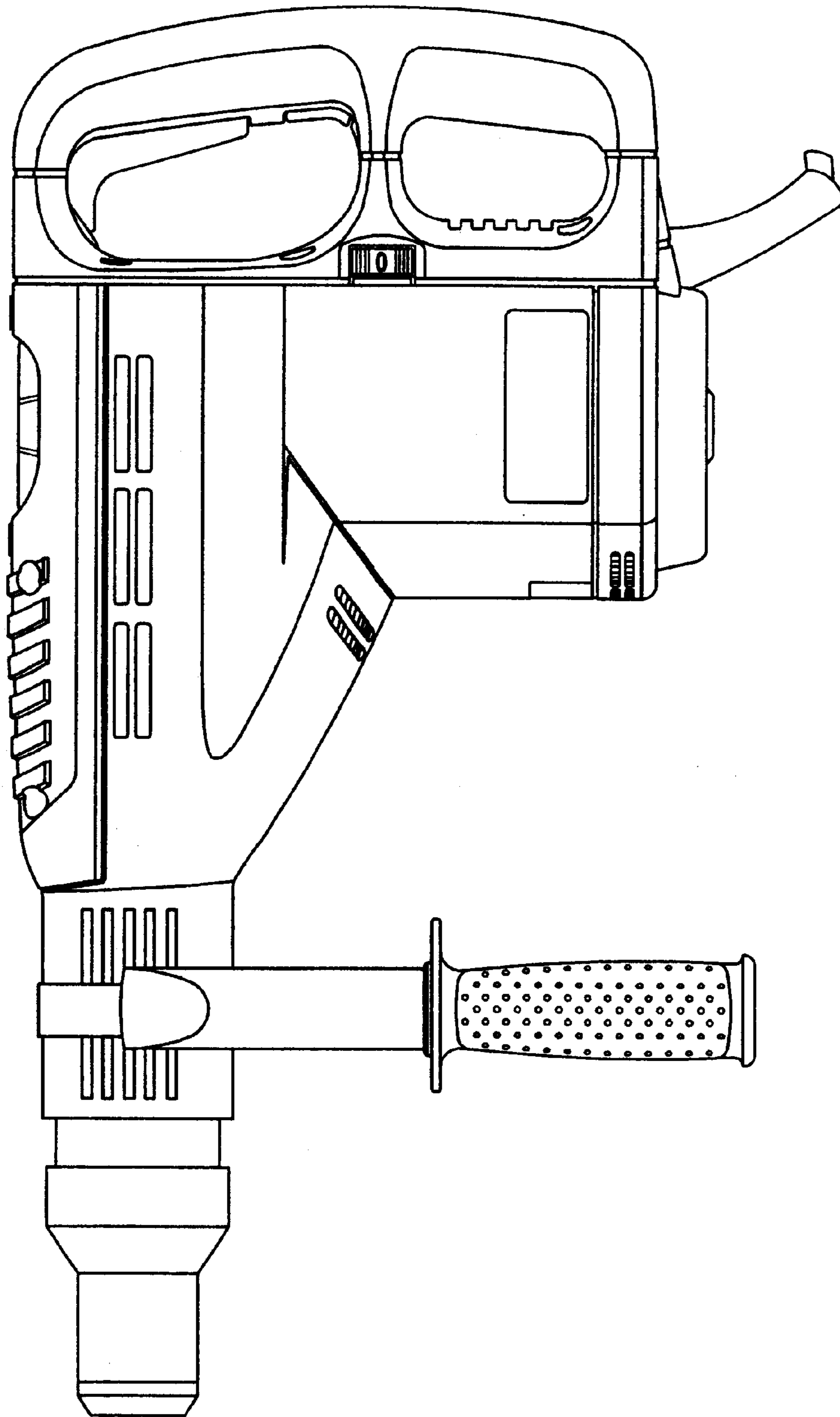


FIG. 5

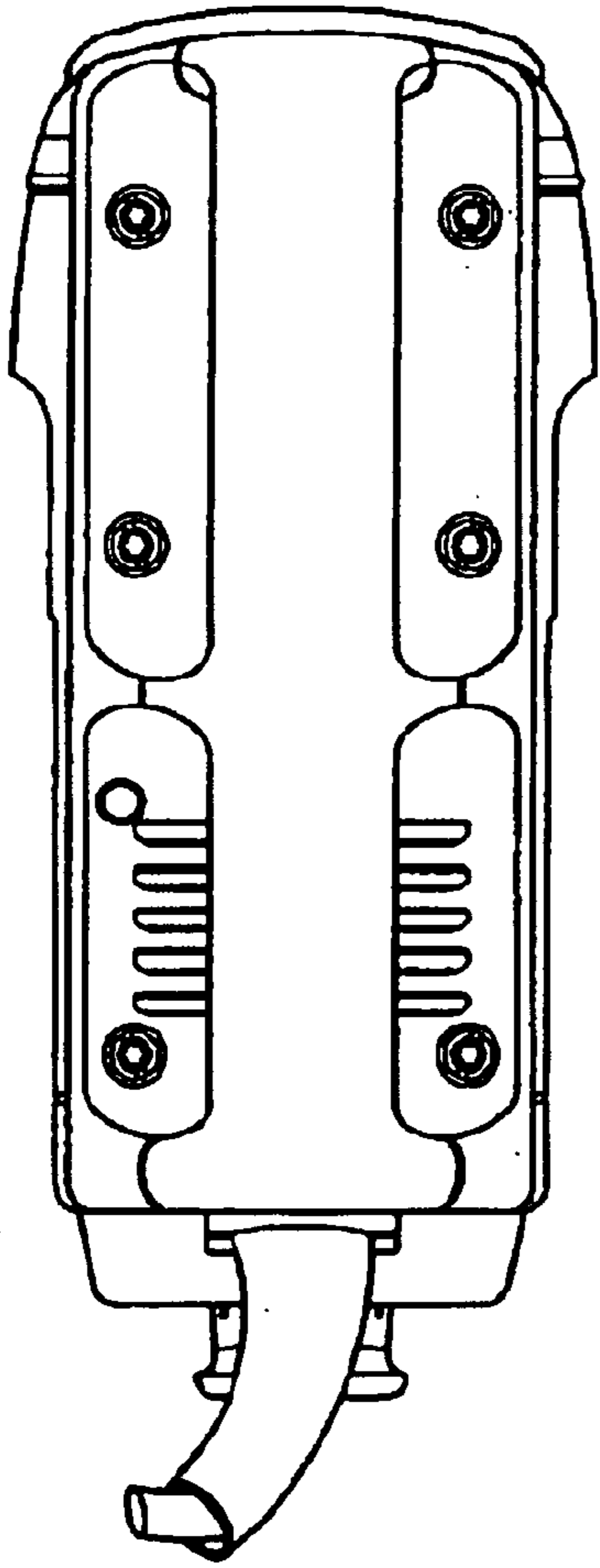


FIG. 6

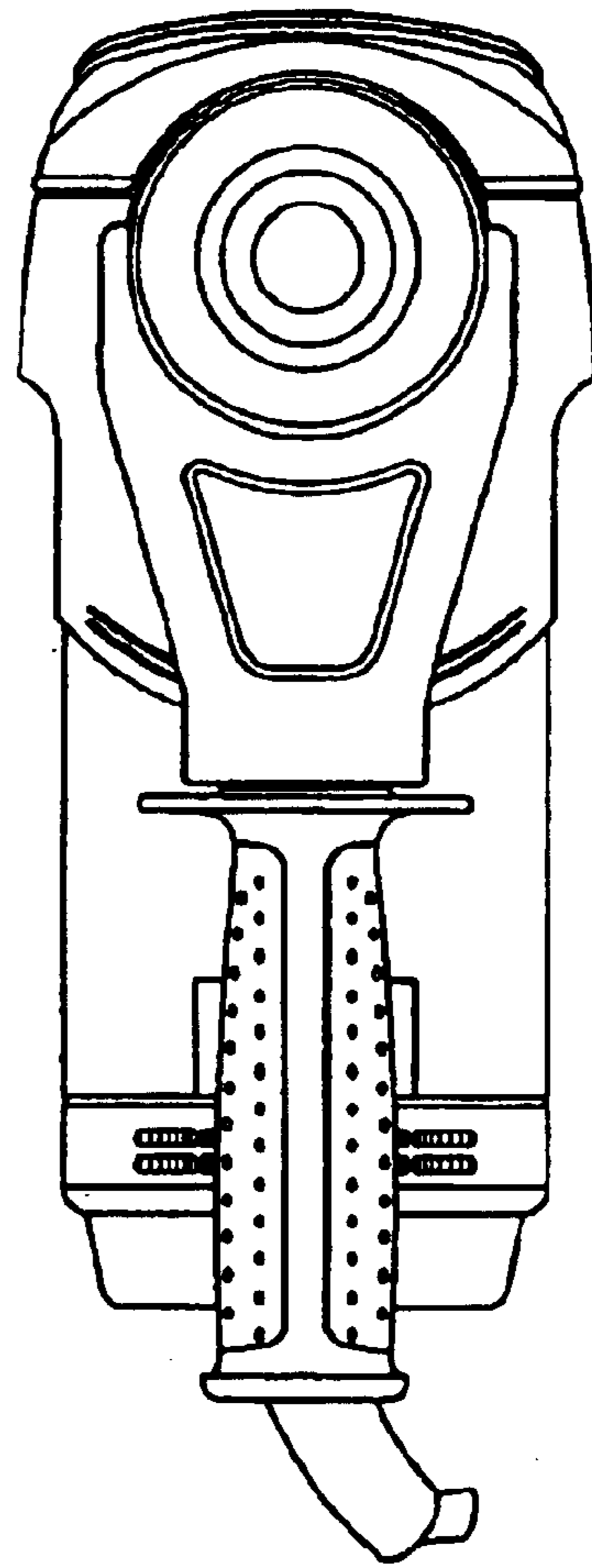


FIG. 7