



US00D515382S

(12) **United States Design Patent**
Andriolo

(10) **Patent No.:** **US D515,382 S**

(45) **Date of Patent:** **** Feb. 21, 2006**

(54) **DRILL**

(75) **Inventor:** **Paolo Andriolo, Suzhou (CN)**

(73) **Assignee:** **Positec Power Tools (Suzhou) Co., Ltd., Suzhou (CN)**

(**) **Term:** **14 Years**

(21) **Appl. No.:** **29/214,083**

(22) **Filed:** **Sep. 28, 2004**

(30) **Foreign Application Priority Data**

Apr. 5, 2004 (CN) 200430043335

(51) **LOC (8) Cl.** **08-01**

(52) **U.S. Cl.** **D8/69**

(58) **Field of Classification Search** D6/14.1,
D6/61, 62, 63, 64, 65, 66, 67, 68, 69, 70;
81/57.11, 429, 464, 465, 466, 469, 489; 173/13,
173/169, 178, 213, 217; 227/8, 114, 120,
227/130, 136, 142; 310/50; 408/20, 124,
408/125, 234, 241 R; 451/358

See application file for complete search history.

(56) **References Cited**

U.S. PATENT DOCUMENTS

D310,936 S * 10/1990 Saito et al. D8/69
D326,805 S * 6/1992 Clivio D8/69
D333,767 S * 3/1993 Sasaki et al. D8/69
D340,395 S * 10/1993 Tanaka D8/69
D377,591 S * 1/1997 Hattori D8/68
D413,244 S * 8/1999 Robson D8/69

D448,638 S * 10/2001 Uhl et al. D8/67
D455,620 S * 4/2002 Lee D8/14.1
D502,377 S * 3/2005 Aglassinger D8/69
2005/0034883 A1 * 2/2005 Yamanda et al. 173/217

* cited by examiner

Primary Examiner—Gary D. Watson
Assistant Examiner—T. Chase Nelson

(74) *Attorney, Agent, or Firm*—Marsh Fischmann & Breyfogle LLP

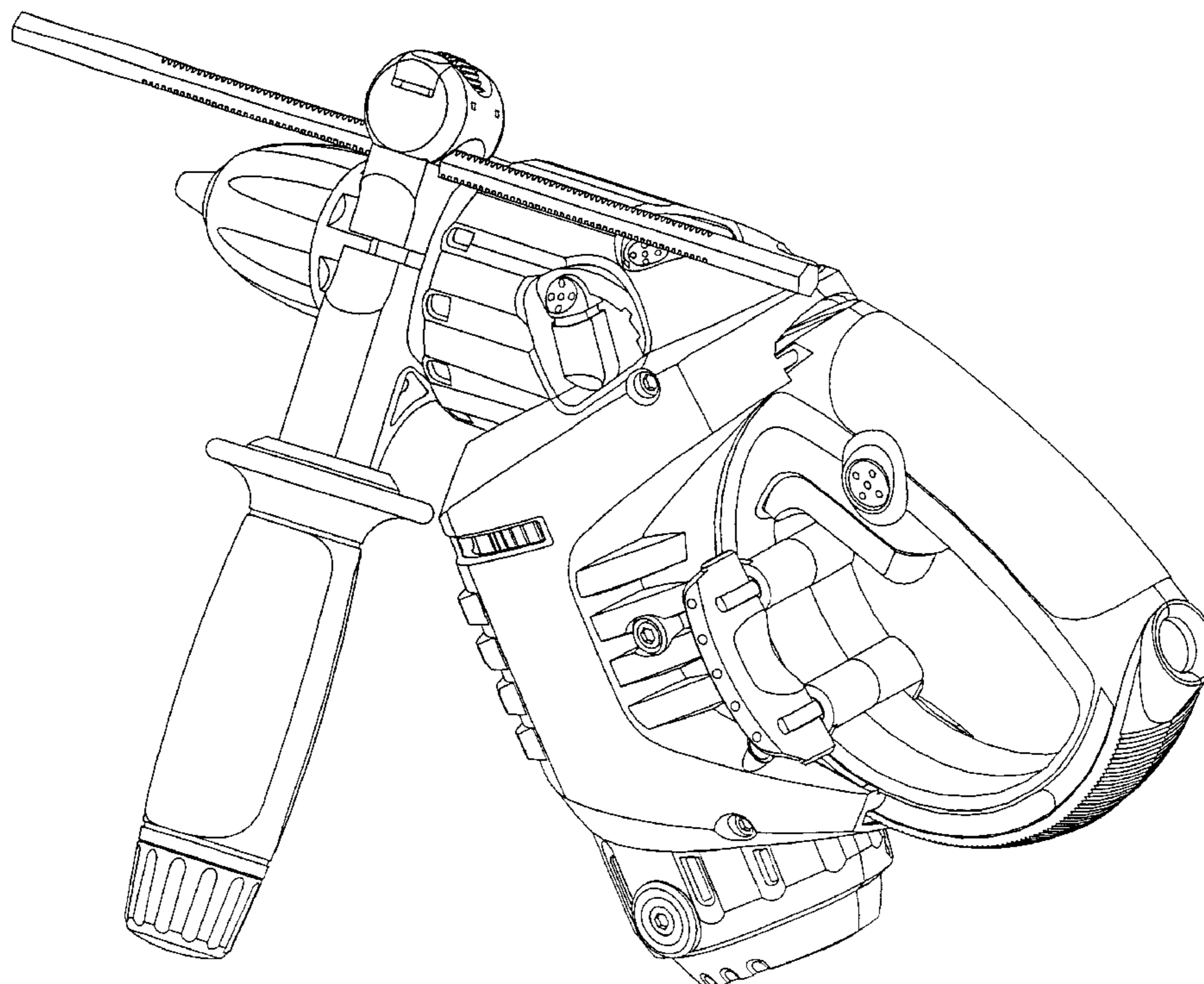
(57) **CLAIM**

The ornamental design for a drill, as shown and described.

DESCRIPTION

FIG. 1 is a perspective view of the drill illustrated with one of the handles in a first position;
FIG. 2 is a perspective view of the drill illustrated with one of the handles in a second position;
FIG. 3 is a perspective view of the drill illustrated with one of the handles in a third position;
FIG. 4 is a front elevational view of the drill showing one of the handles in the second position as depicted in the FIG. 2 view;
FIG. 5 is a rear elevational view of the drill thereof;
FIG. 6 is an elevational view of the left side of the drill thereof;
FIG. 7 is an elevational view of the right side of the drill thereof;
FIG. 8 is a top plan view of the drill thereof; and,
FIG. 9 is a bottom plan view of the drill thereof.

1 Claim, 9 Drawing Sheets



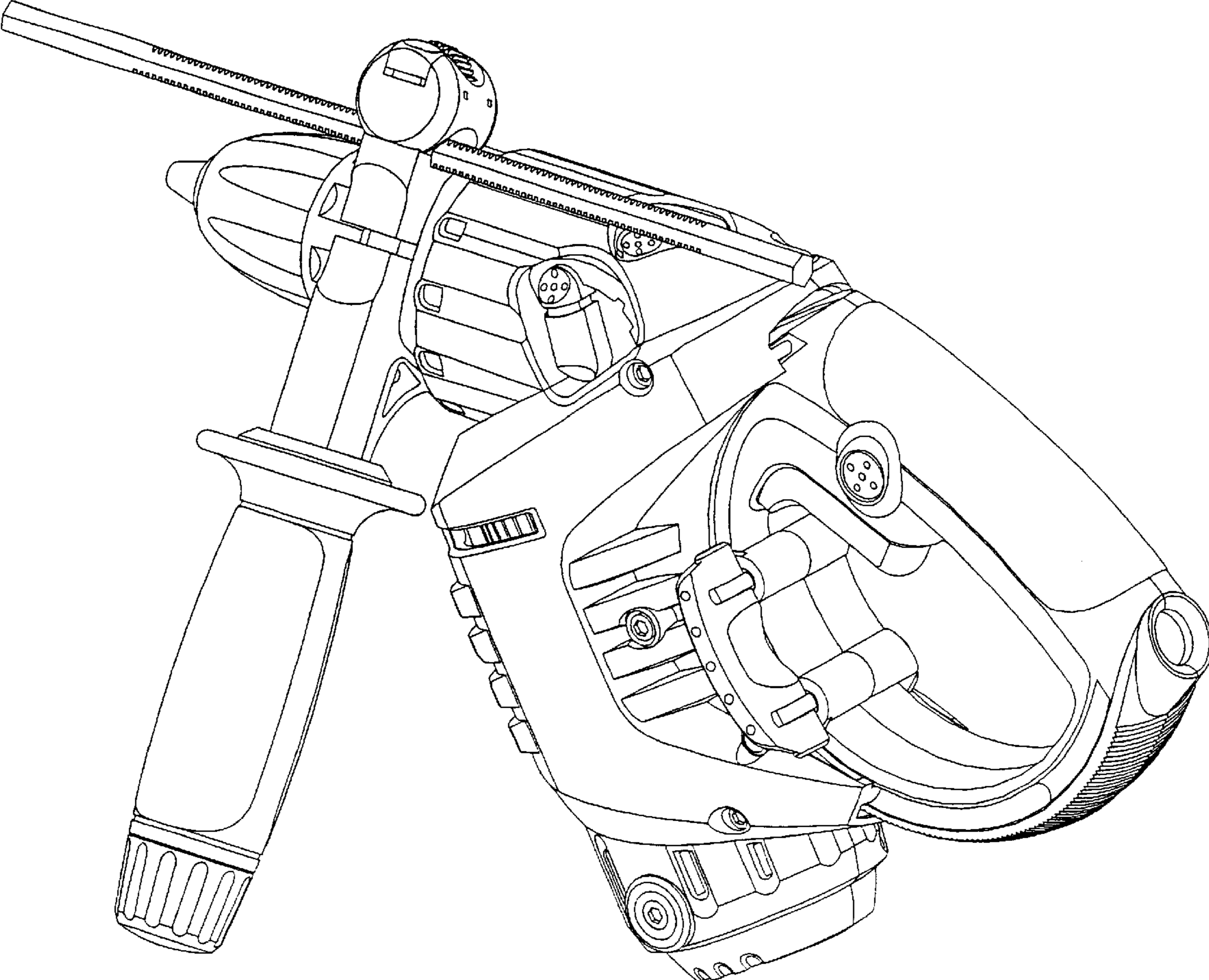


FIG. 1

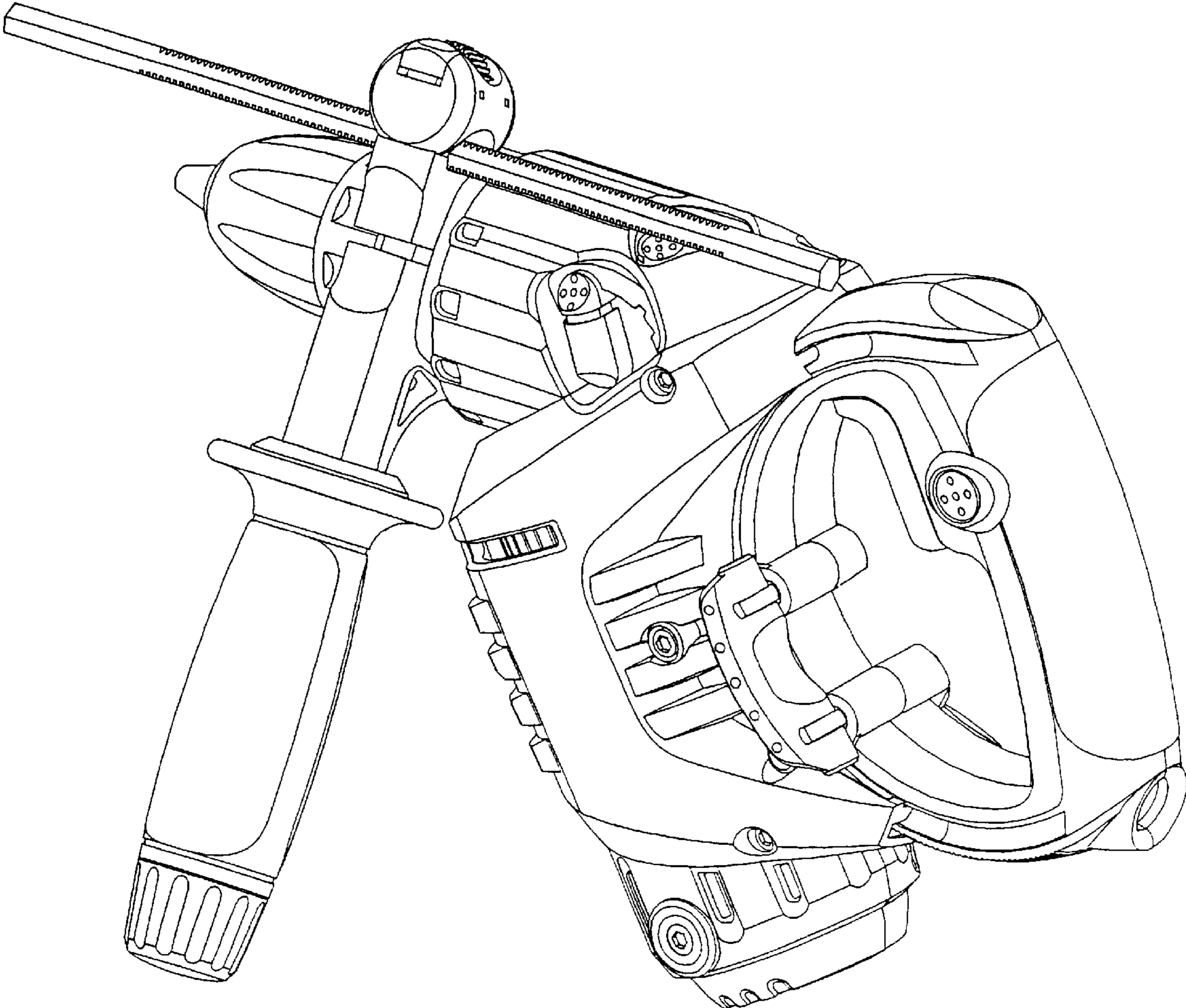


FIG. 2

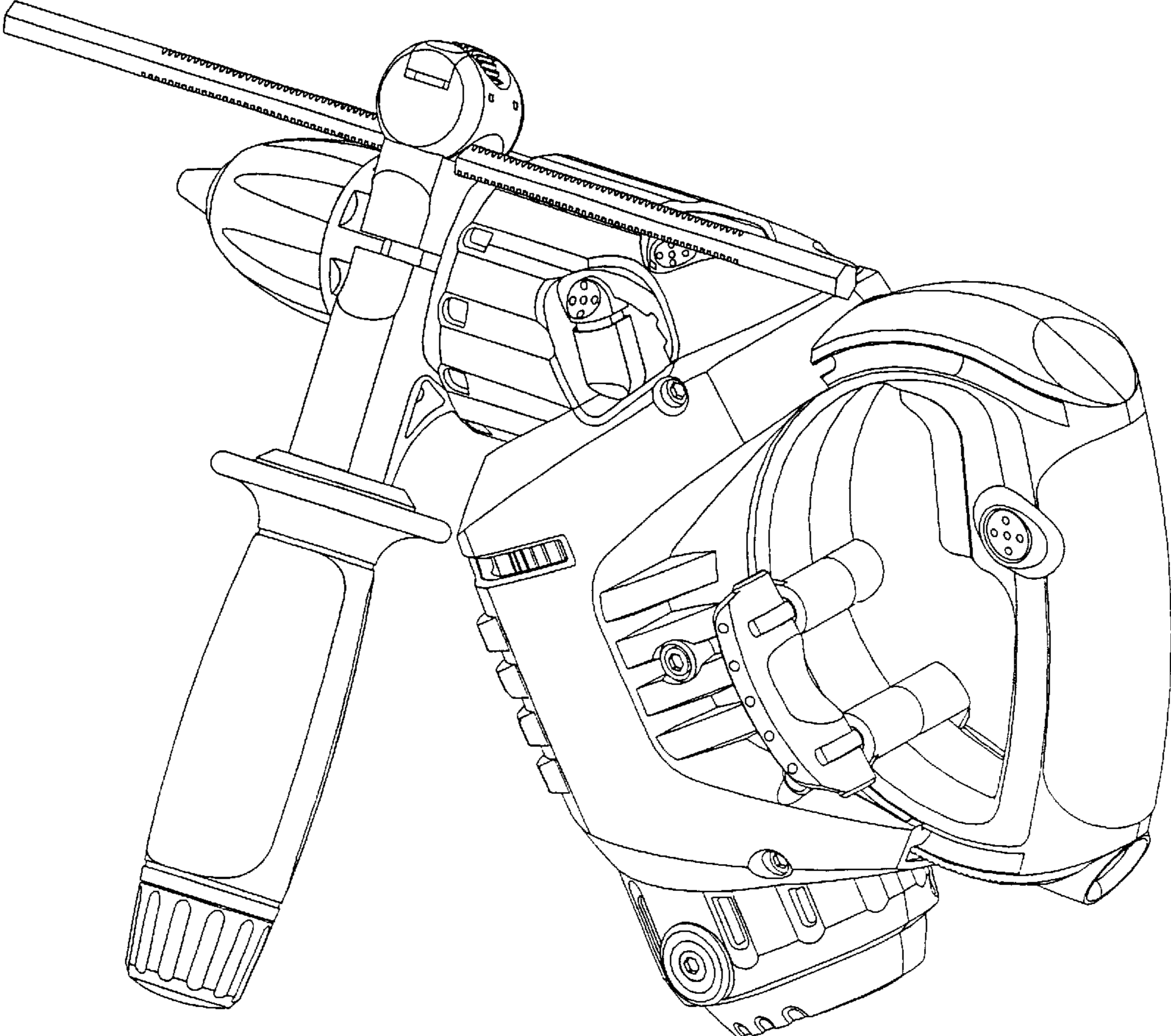


FIG. 3

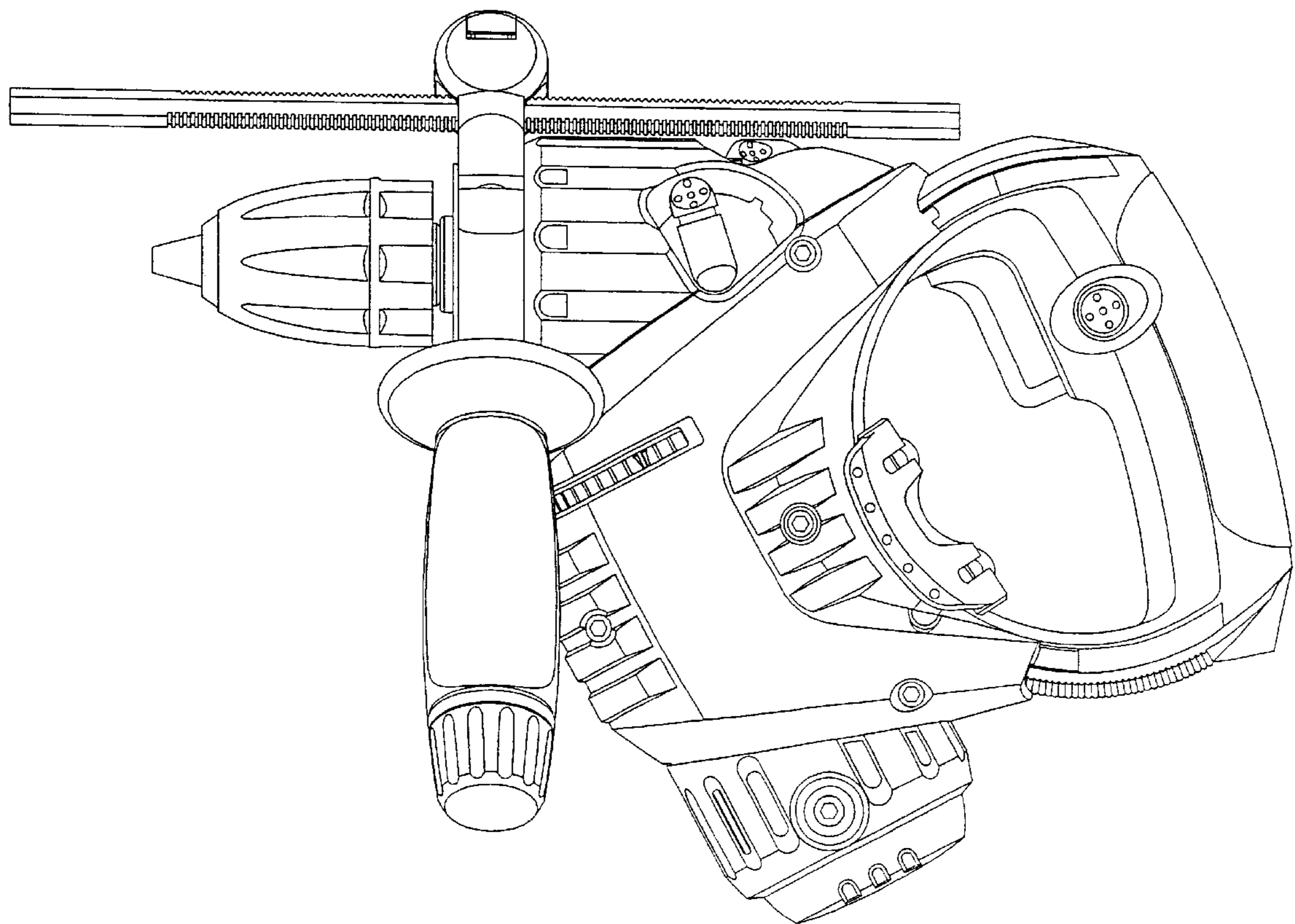


FIG. 4

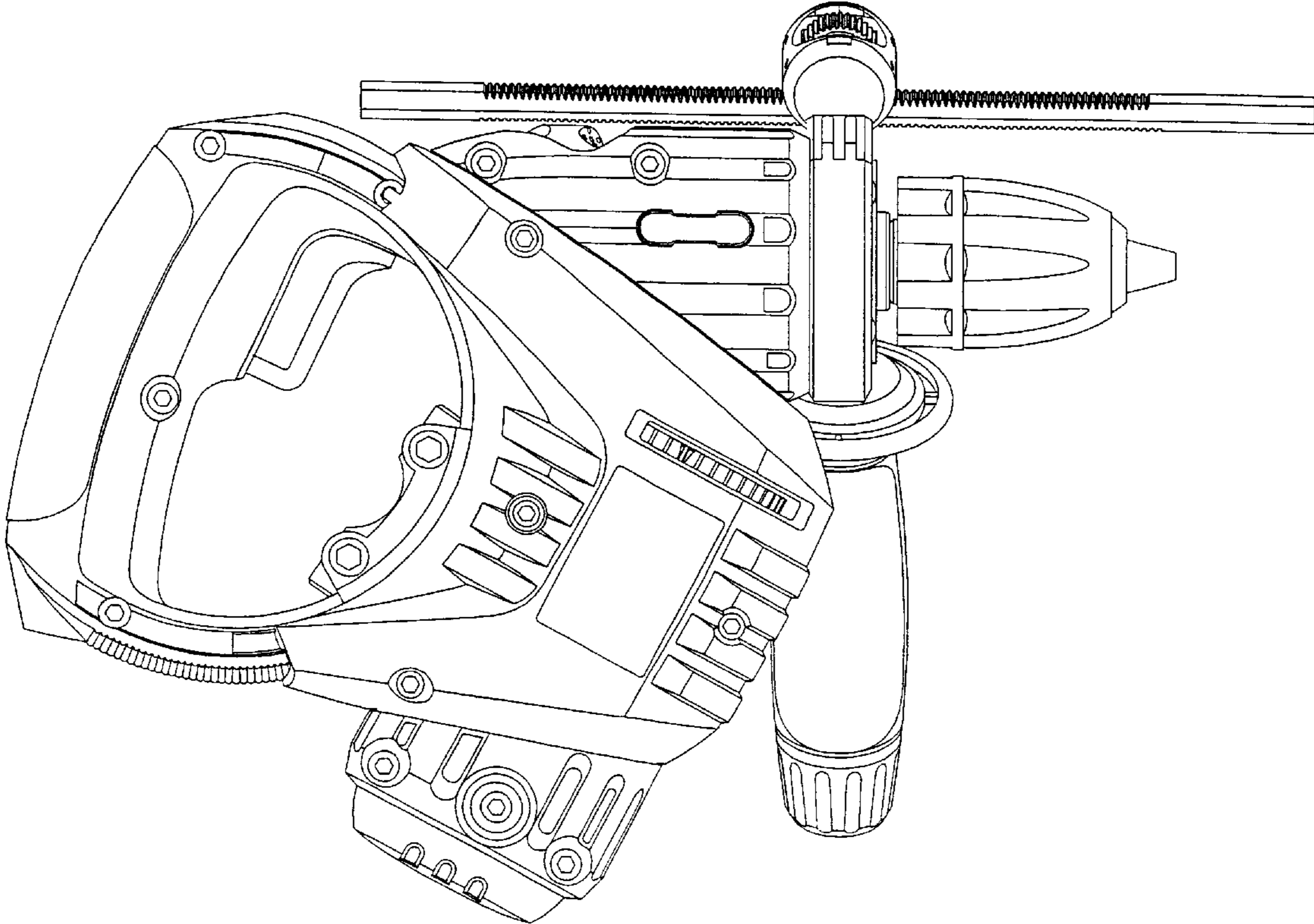


FIG. 5

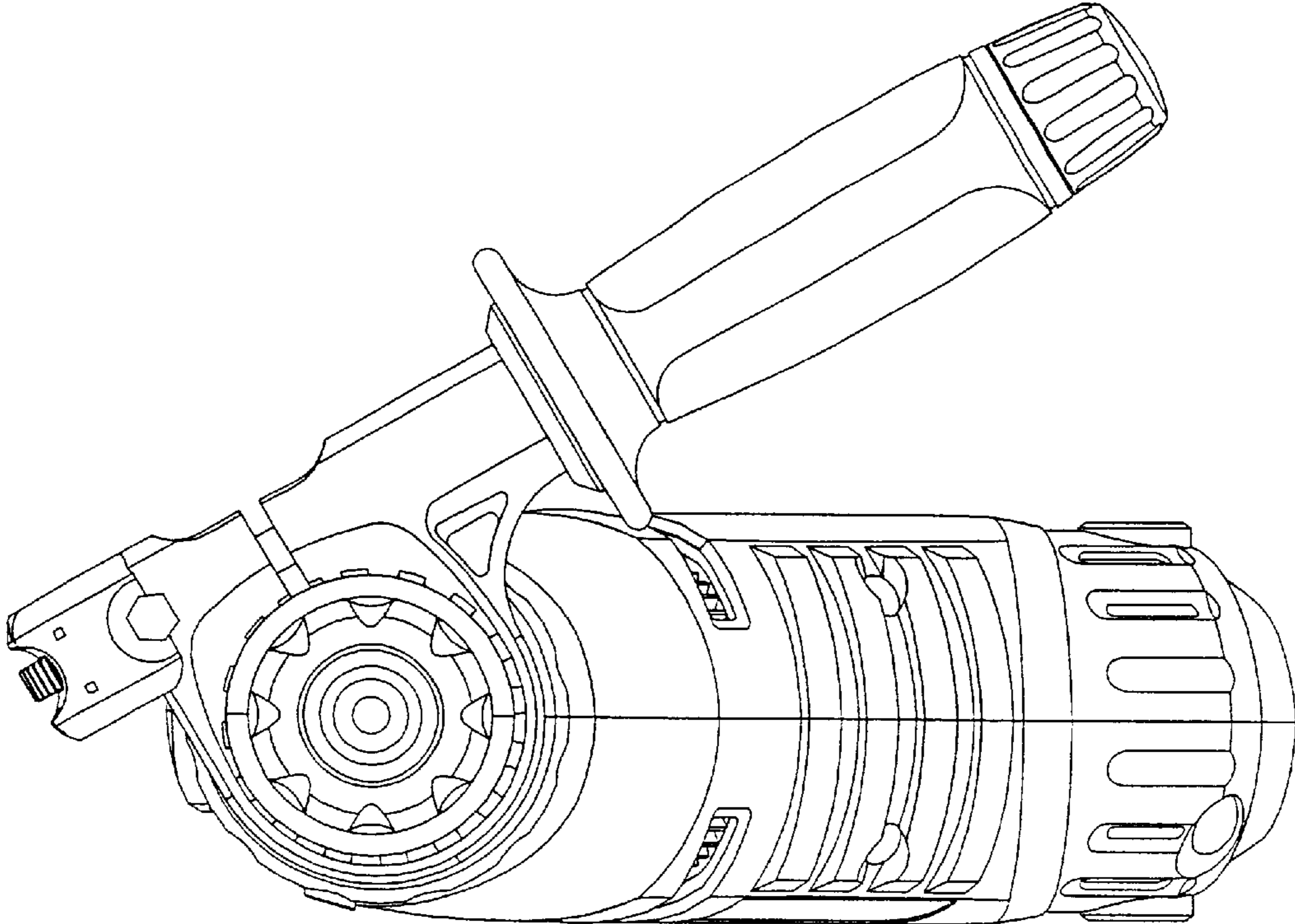


FIG. 6

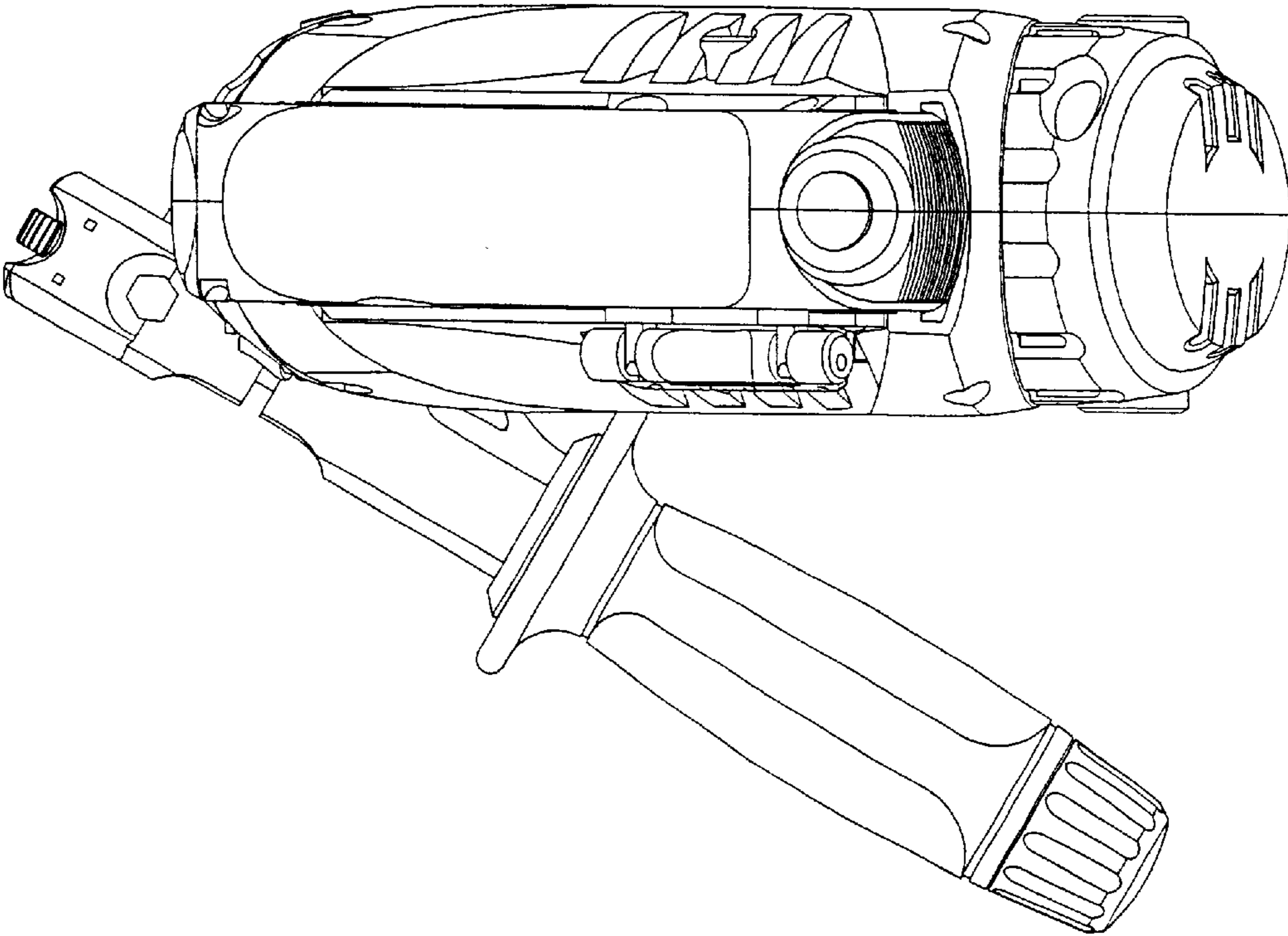


FIG. 7

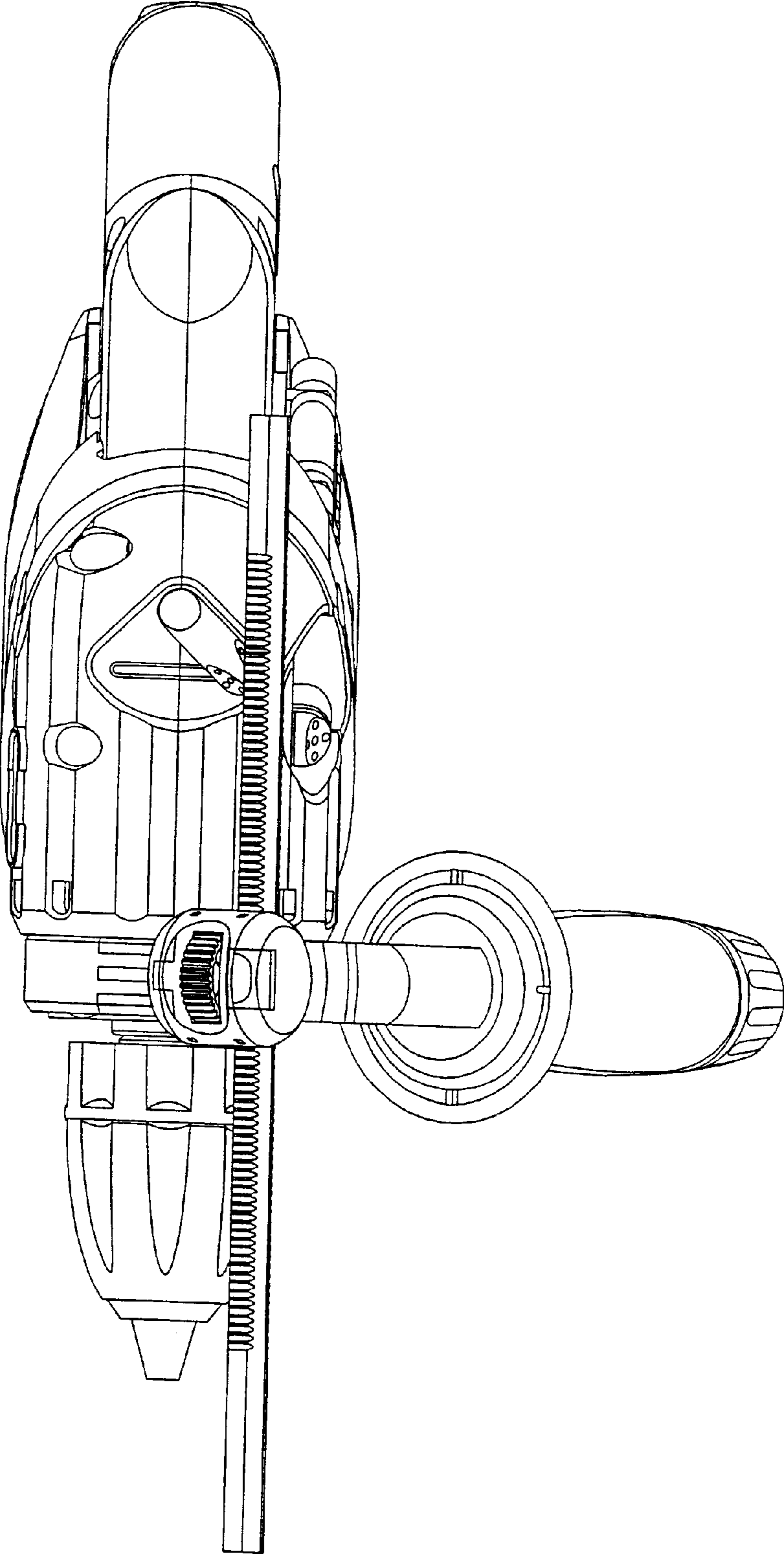


FIG. 8

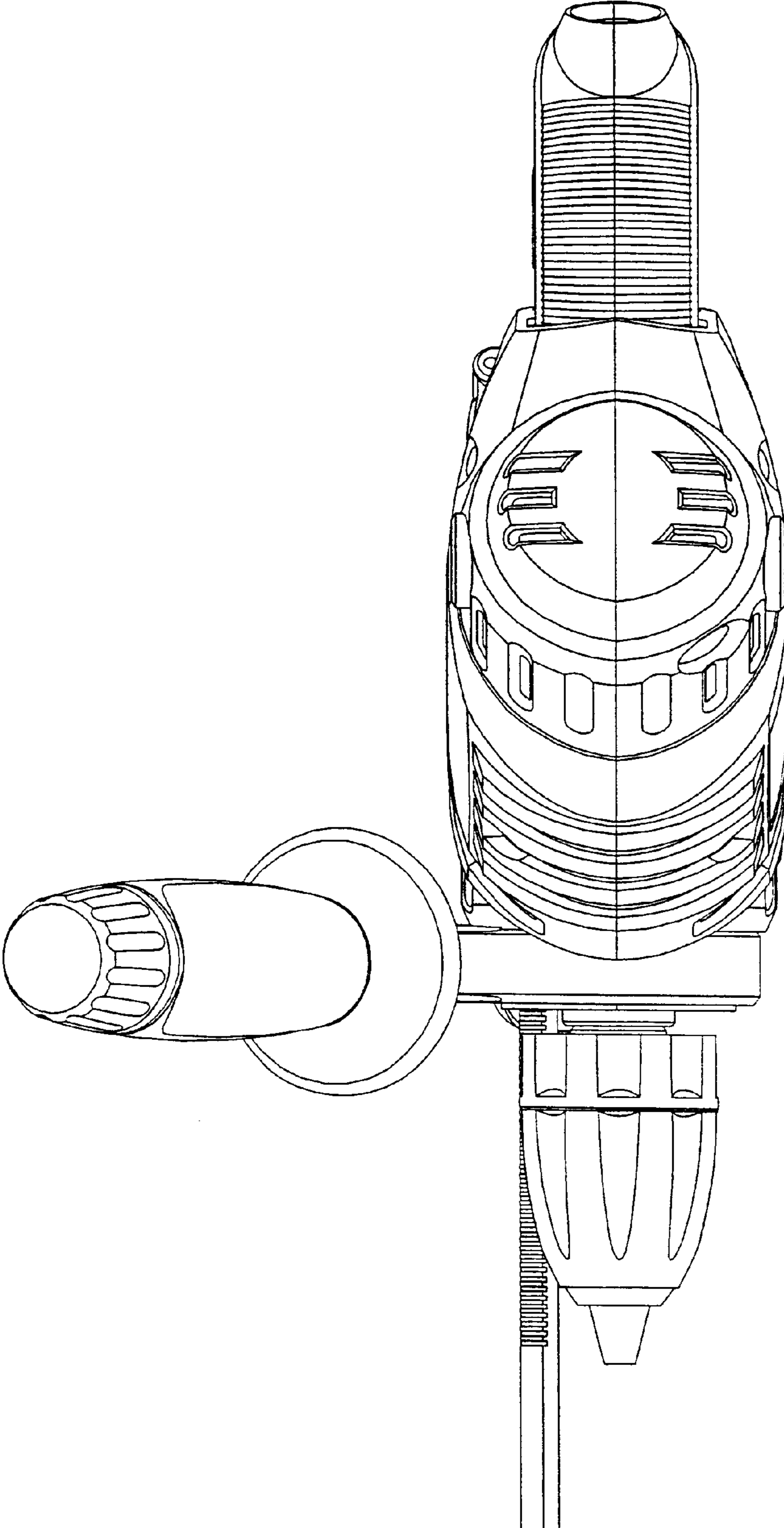


FIG. 9