



US00D515381S

(12) **United States Design Patent**  
Ng

(10) **Patent No.:** **US D515,381 S**  
(45) **Date of Patent:** **\*\* Feb. 21, 2006**

(54) **ELECTRIC DRILL**  
(75) **Inventor:** **David Wai Wah Ng, Hong Kong (CN)**  
(73) **Assignee:** **Winsource Industries Limited,**  
**Kowloon (HK)**  
(\*\*) **Term:** **14 Years**

D479,456 S \* 9/2003 Murray et al. .... D8/68  
D496,843 S \* 10/2004 Sugawara et al. .... D8/68  
D498,127 S \* 11/2004 Leasure ..... D8/68  
6,840,335 B1 \* 1/2005 Wu ..... 173/217  
D504,298 S \* 4/2005 Bian ..... D8/68  
2003/0002934 A1 \* 1/2003 Hsu ..... 408/124

**FOREIGN PATENT DOCUMENTS**

GB 2041272 \* 3/1994

\* cited by examiner

*Primary Examiner*—Gary D. Watson  
*Assistant Examiner*—T. Chase Nelson

(74) *Attorney, Agent, or Firm*—Alix, Yale & Ristas, LLP

(21) **Appl. No.:** **29/226,020**  
(22) **Filed:** **Mar. 23, 2005**  
(51) **LOC (8) Cl.** ..... **08-01**  
(52) **U.S. Cl.** ..... **D8/68**  
(58) **Field of Classification Search** ..... D8/14.1,  
D8/61, 62, 63, 64, 65, 66, 67, 68, 69, 70;  
81/57.11, 429, 464, 465, 466, 469, 489; 173/13,  
173/169, 178, 213, 217; 227/8, 114, 120,  
227/130, 136, 142; 310/50; 408/20, 124,  
408/125, 234, 241 R; 451/358  
See application file for complete search history.

(57) **CLAIM**

The ornamental design for an electric drill, as shown and described.

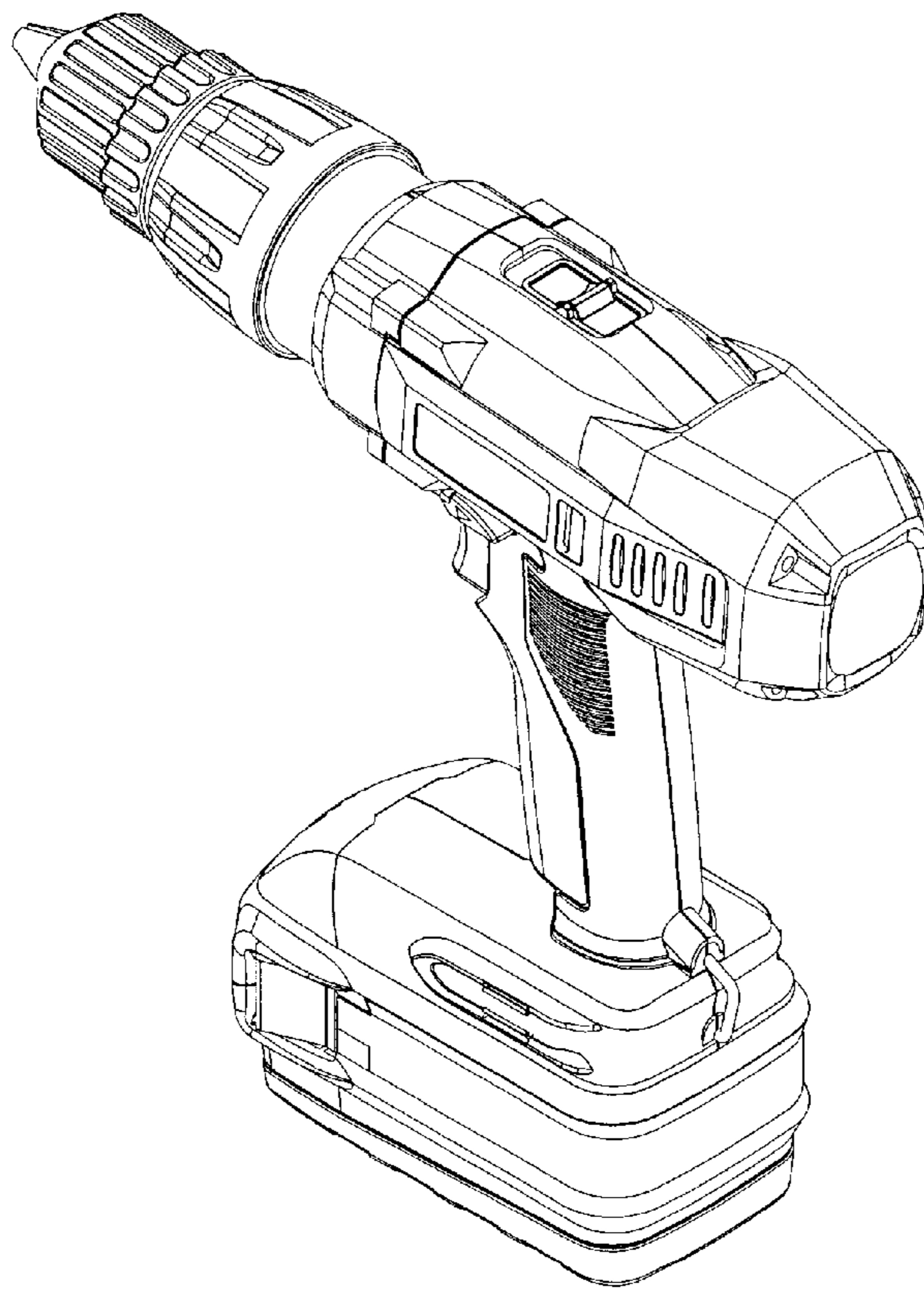
**DESCRIPTION**

FIG. 1 is a perspective view of an electric drill in accordance with the invention;  
FIG. 2 is a left side elevational view thereof;  
FIG. 3 is a right side elevational view thereof;  
FIG. 4 is a top plan view thereof;  
FIG. 5 is a bottom plan view thereof;  
FIG. 6 is a front elevational view thereof; and,  
FIG. 7 is a rear elevational view thereof.

(56) **References Cited**  
**U.S. PATENT DOCUMENTS**

D409,467 S \* 5/1999 Chung ..... D8/68  
D421,883 S \* 3/2000 Watson et al. .... D8/68  
6,041,603 A \* 3/2000 Phillips ..... 227/130  
D428,320 S \* 7/2000 Ohi et al. .... D8/68  
6,308,378 B1 \* 10/2001 Mooty et al. .... 310/50  
D460,907 S \* 7/2002 Geis ..... D8/68

**1 Claim, 6 Drawing Sheets**



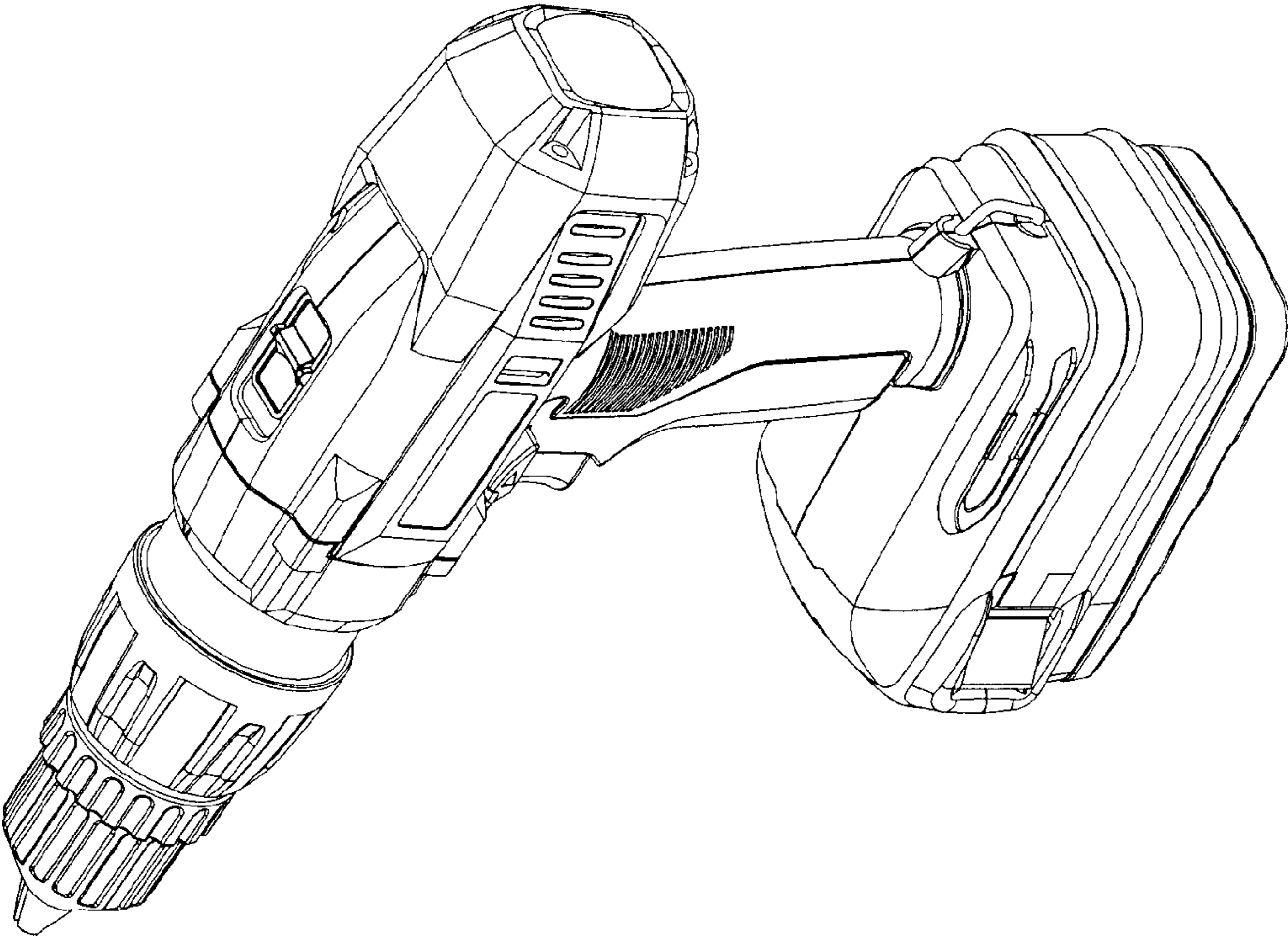


FIG. 1

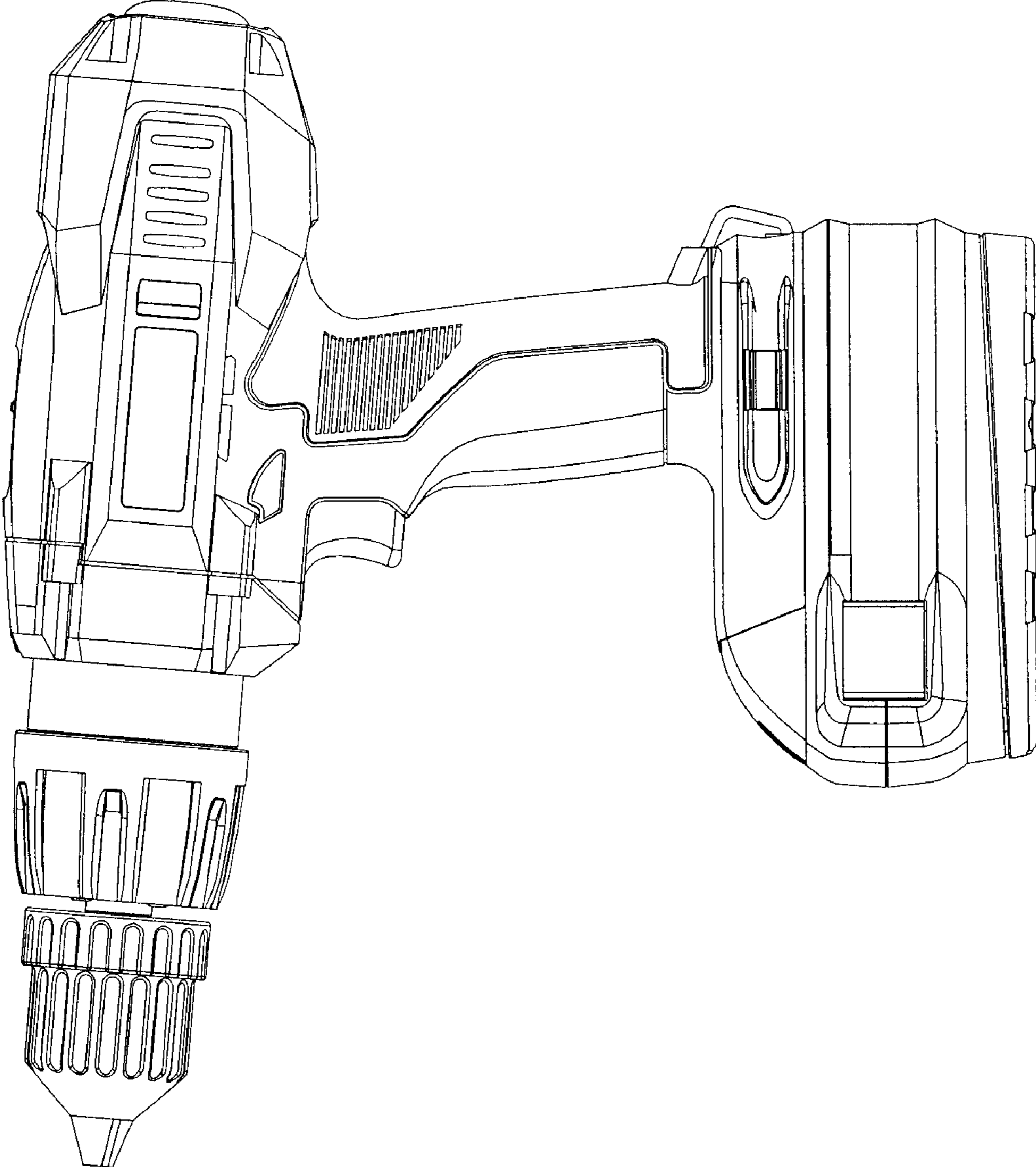


FIG. 2

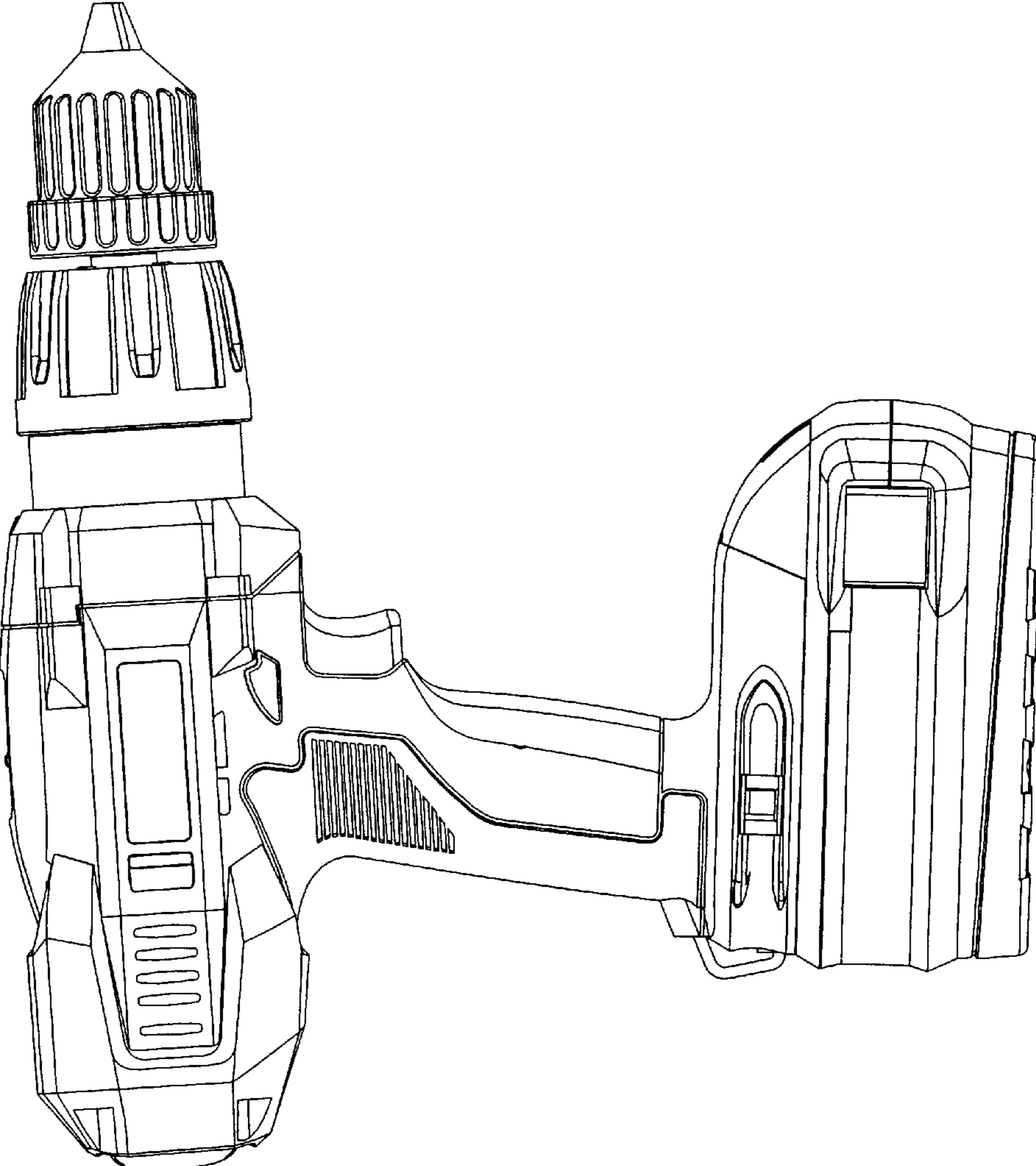


FIG. 3

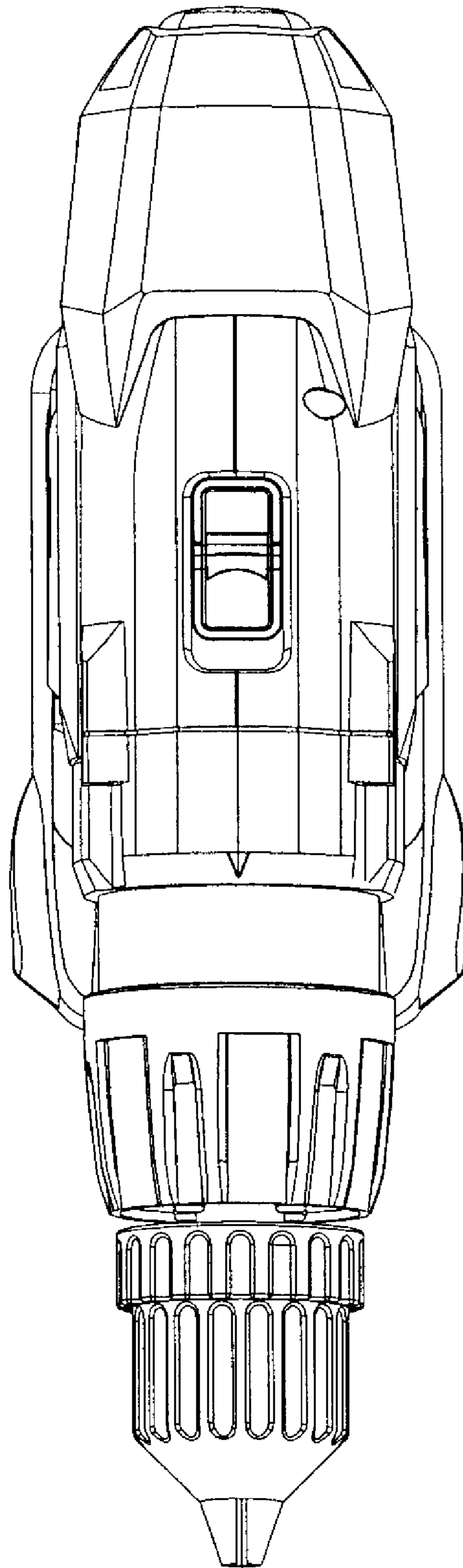


FIG. 4

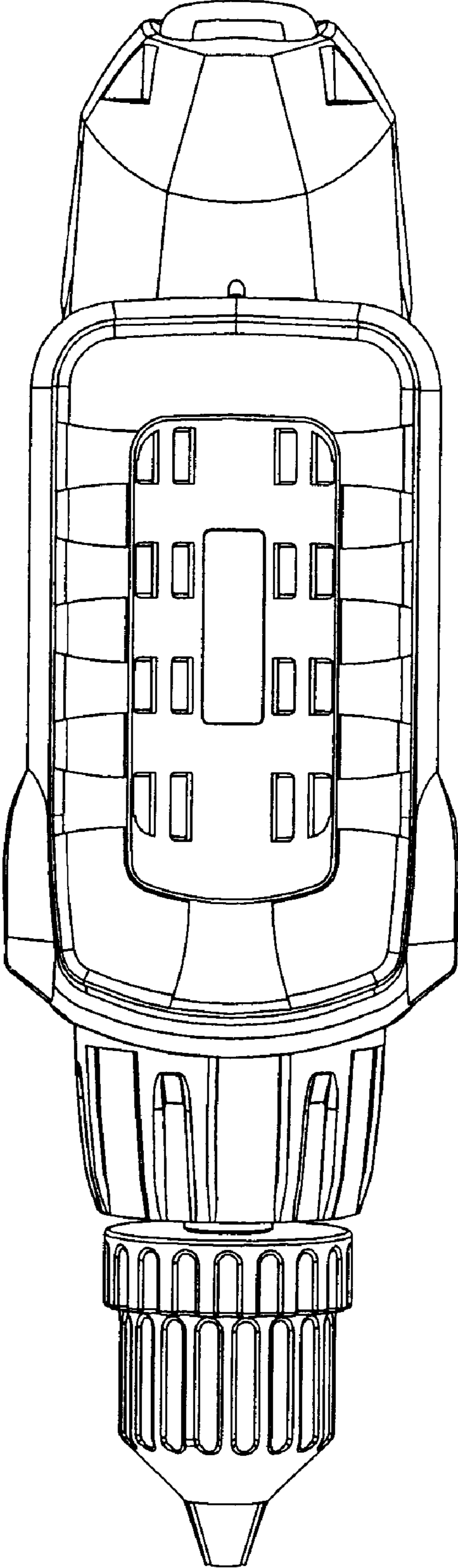


FIG. 5

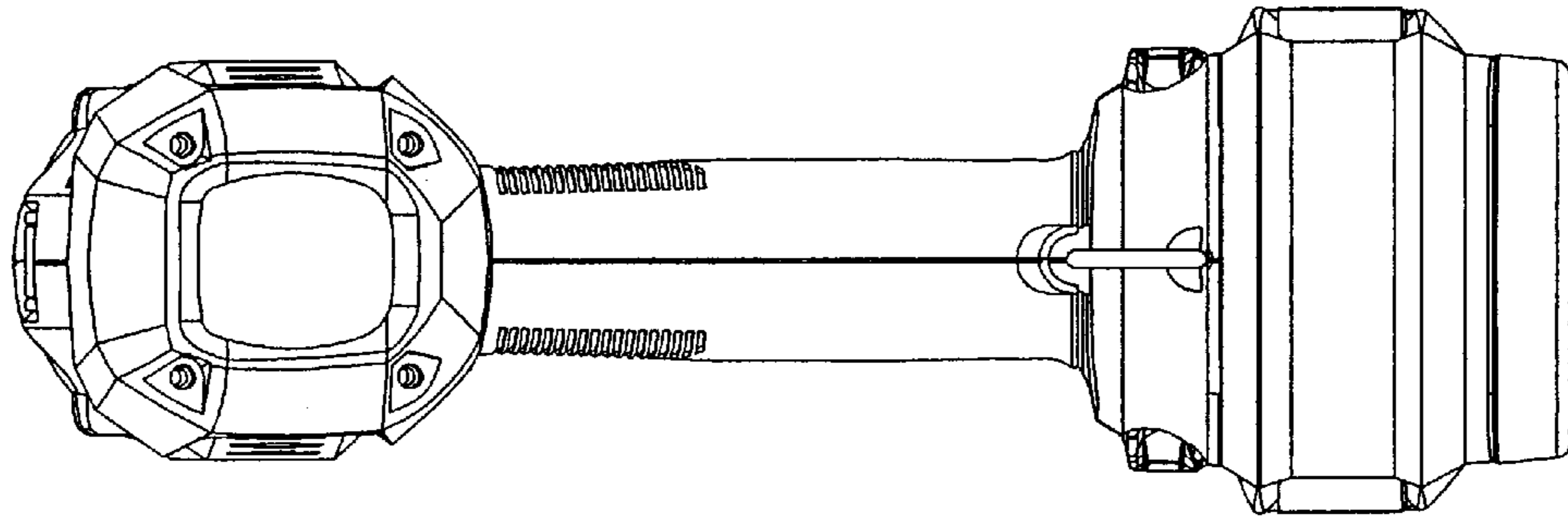


FIG. 7

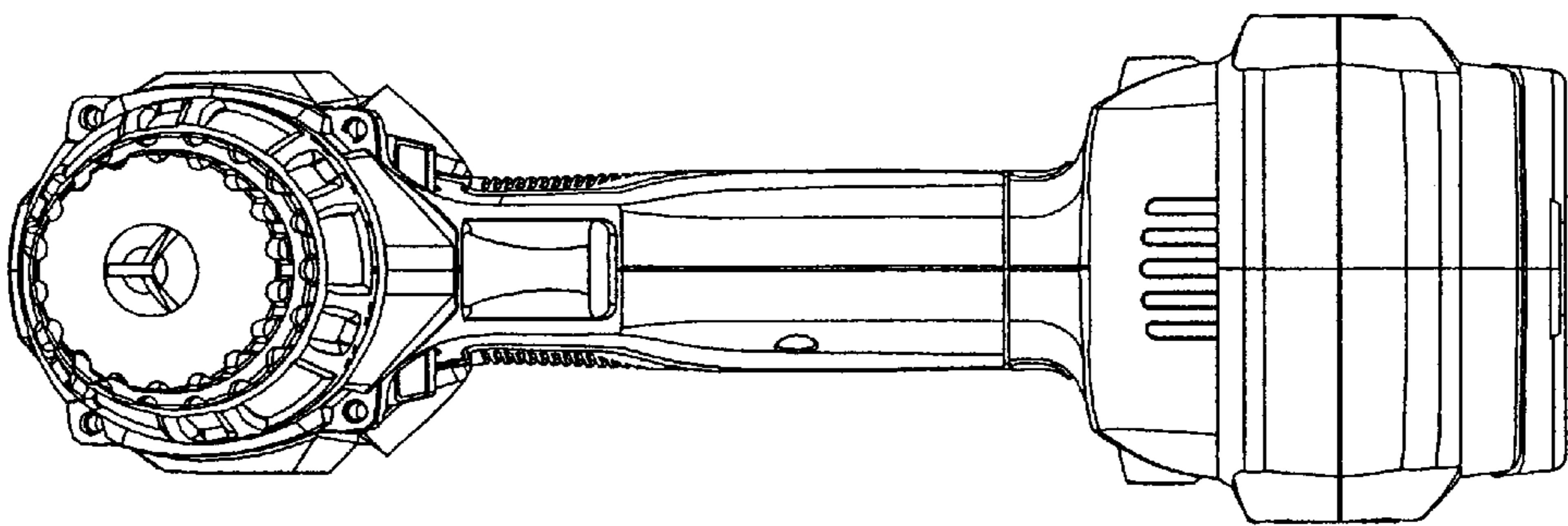


FIG. 6