



US00D515380S

(12) **United States Design Patent**
Ng

(10) **Patent No.: US D515,380 S**

(45) **Date of Patent: ** Feb. 21, 2006**

(54) **POWER TOOL**

(76) **Inventor: Wing Hok Ng, 23/F., No. 1 Des Voeux Road West, Hong Kong (HK)**

(**) **Term: 14 Years**

(21) **Appl. No.: 29/225,080**

(22) **Filed: Mar. 9, 2005**

(51) **LOC (8) Cl. 08-05**

(52) **U.S. Cl. D8/68**

(58) **Field of Classification Search** D8/14.1, D8/61, 62, 63, 64, 65, 66, 67, 68, 69, 70; 81/57.11, 429, 464, 465, 466, 469, 489; 173/13, 173/169, 178, 213, 217; 227/8, 114, 120, 227/130, 136, 142; 310/50; 408/20, 124, 408/125, 234, 241 R; 451/358
See application file for complete search history.

(56) **References Cited**

U.S. PATENT DOCUMENTS

- D419,413 S * 1/2000 Heun D8/68
- 6,152,639 A * 11/2000 Hsu 408/241 R
- D459,966 S * 7/2002 So D8/68
- D464,858 S * 10/2002 Netzler D8/68
- D464,859 S * 10/2002 Netzler D8/68
- D472,781 S * 4/2003 Netzler D8/68

- D477,974 S * 8/2003 Chunn et al. D8/68
- D494,034 S * 8/2004 Cheung D8/68
- 2004/0069512 A1 * 4/2004 Ng 173/217

FOREIGN PATENT DOCUMENTS

- GB 2054779 S * 3/1996
- GB 2088479 S * 11/1999
- GB 2102168 S * 5/2001

* cited by examiner

Primary Examiner—Gary D. Watson
Assistant Examiner—T. Chase Nelson

(74) *Attorney, Agent, or Firm*—Raymond Y. Chan; David and Raymond

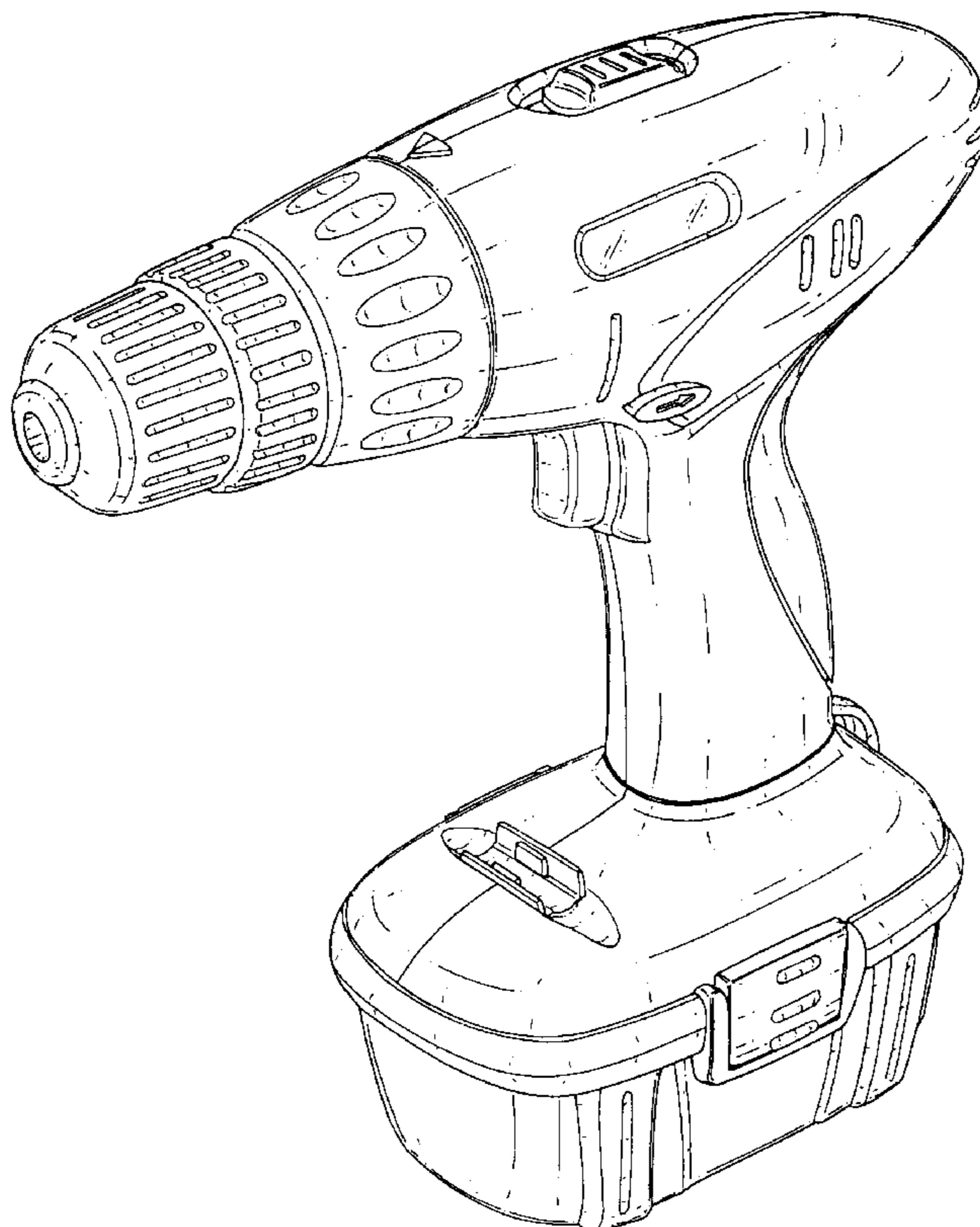
(57) **CLAIM**

The ornamental design for a power tool, as shown.

DESCRIPTION

- FIG. 1 is a perspective view showing my new design.
- FIG. 2 is a front end view thereof.
- FIG. 3 is a rear end view thereof.
- FIG. 4 is a right view thereof.
- FIG. 5 is a left view thereof.
- FIG. 6 is a top view thereof; and,
- FIG. 7 is a bottom view thereof.

1 Claim, 7 Drawing Sheets



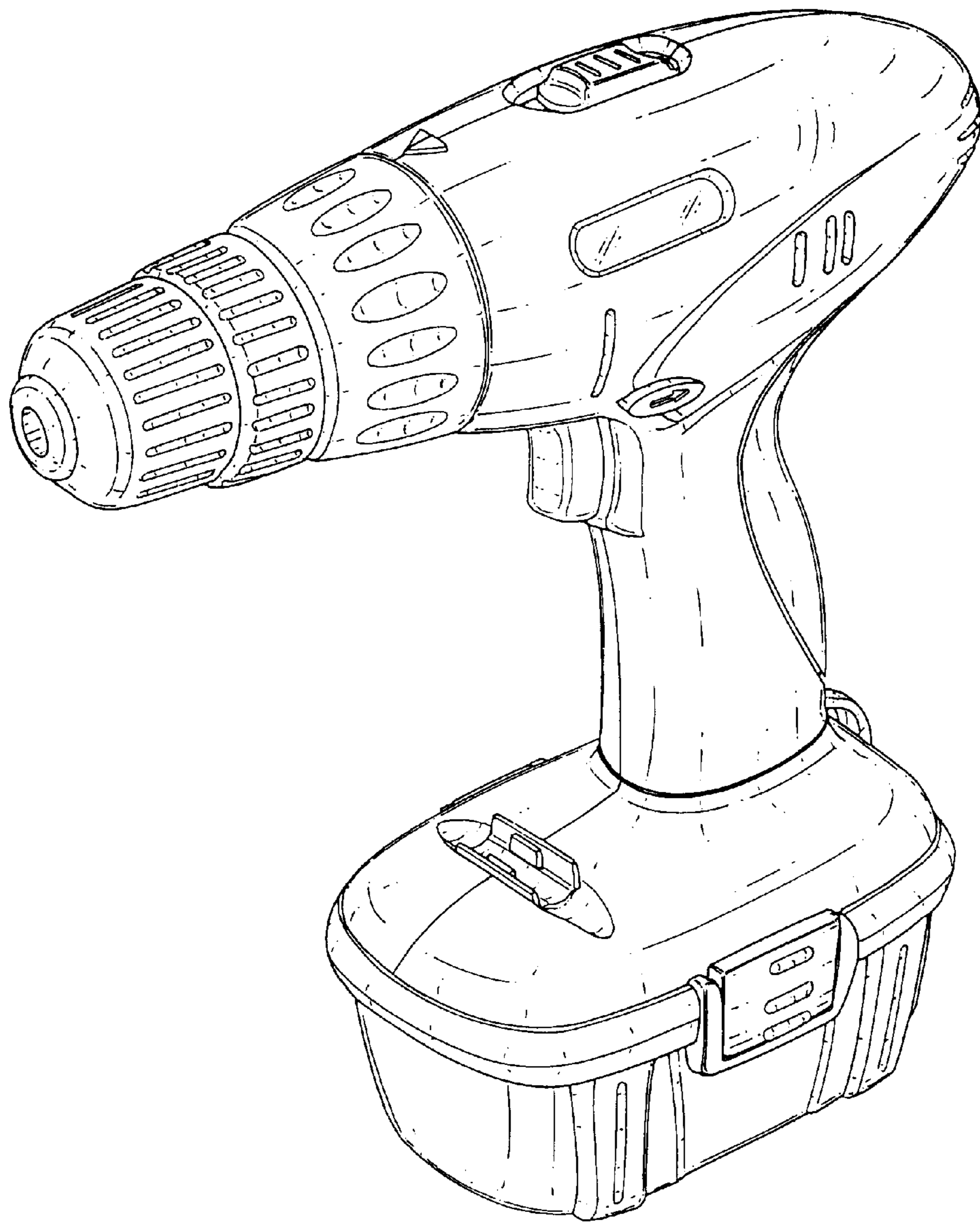


FIG. 1

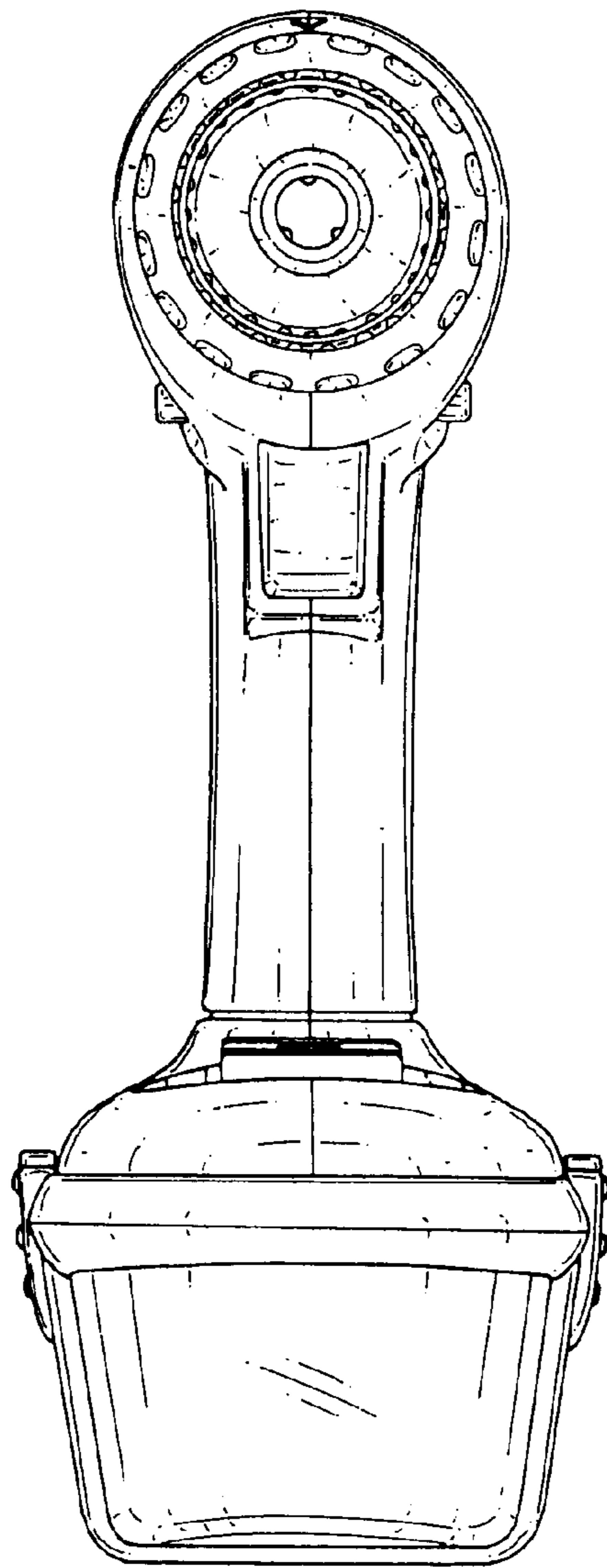


FIG. 2

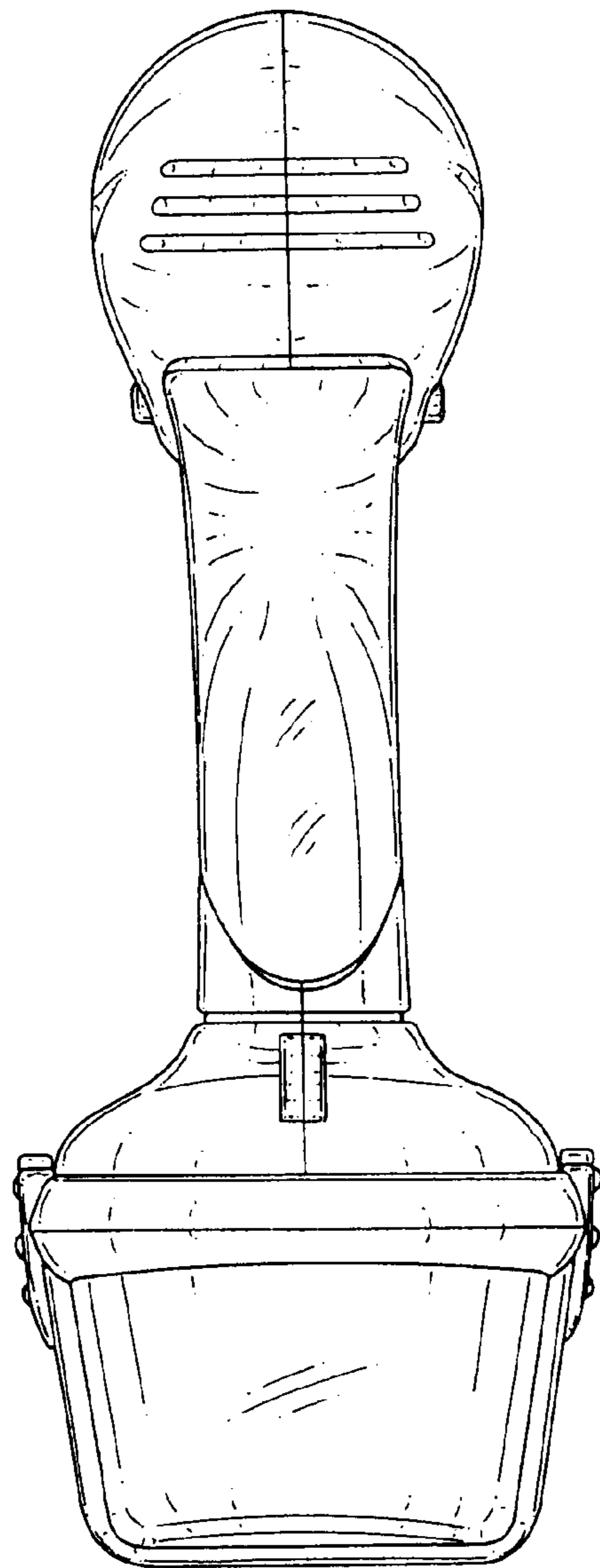


FIG. 3

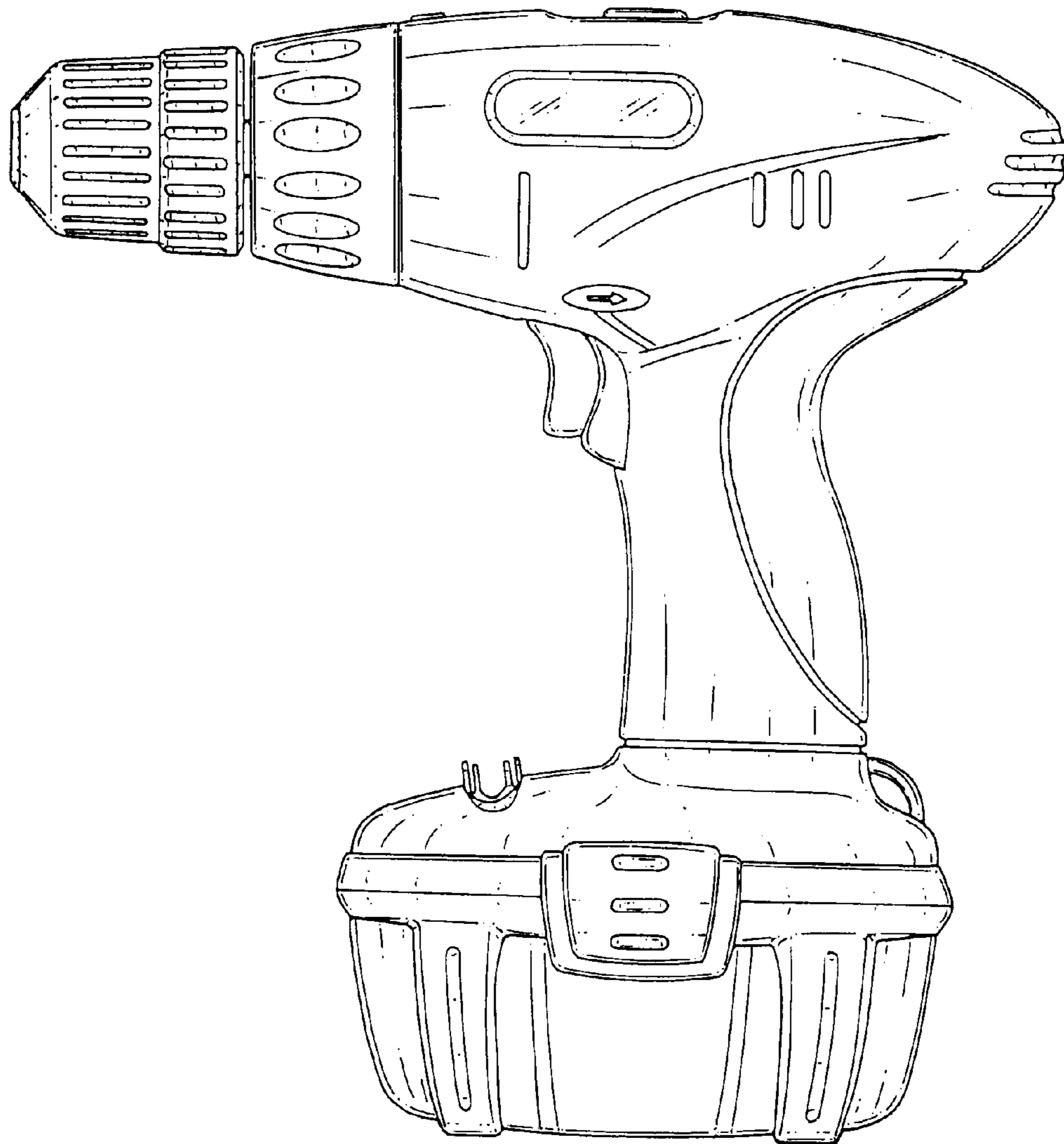


FIG. 4

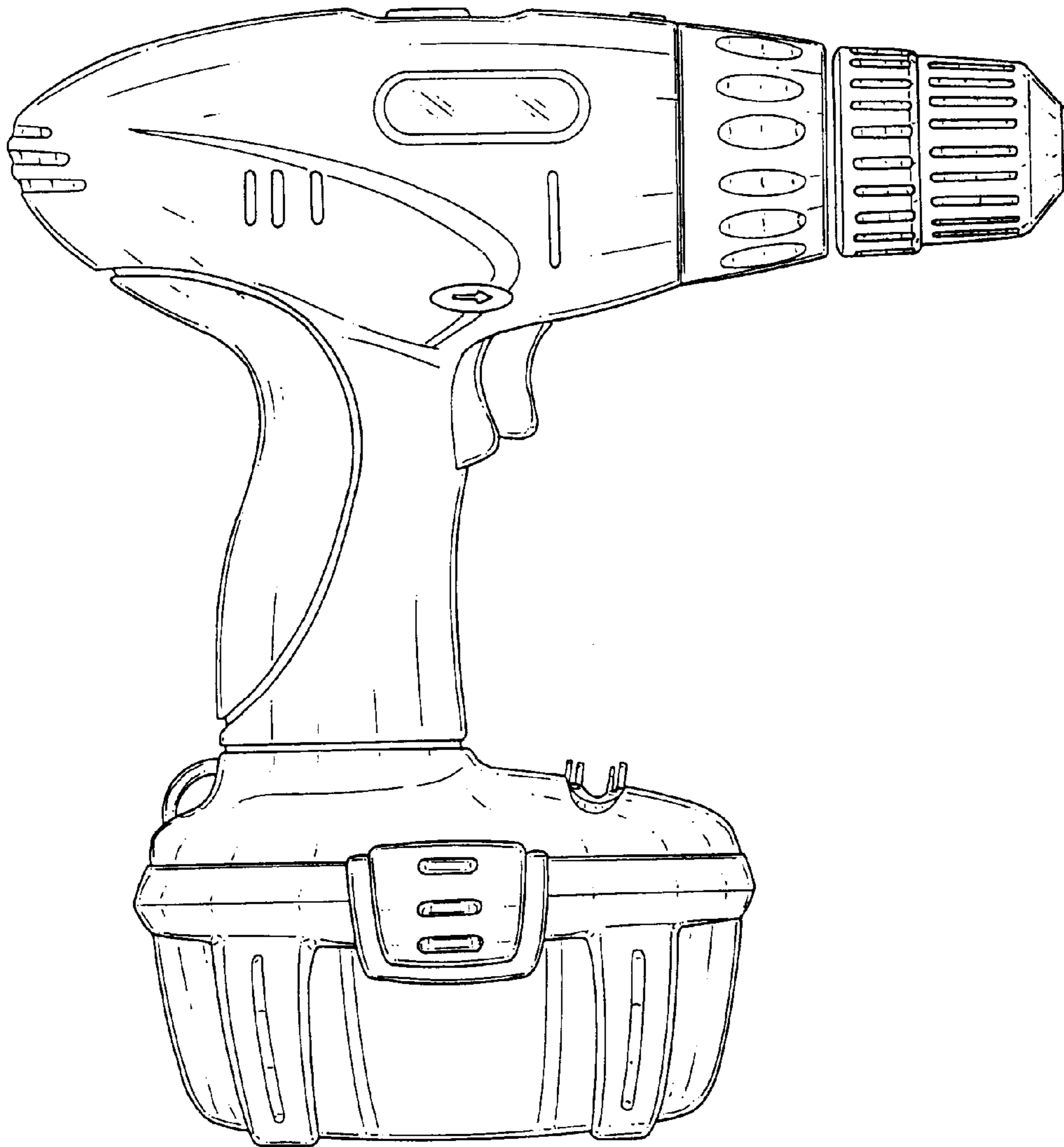


FIG. 5

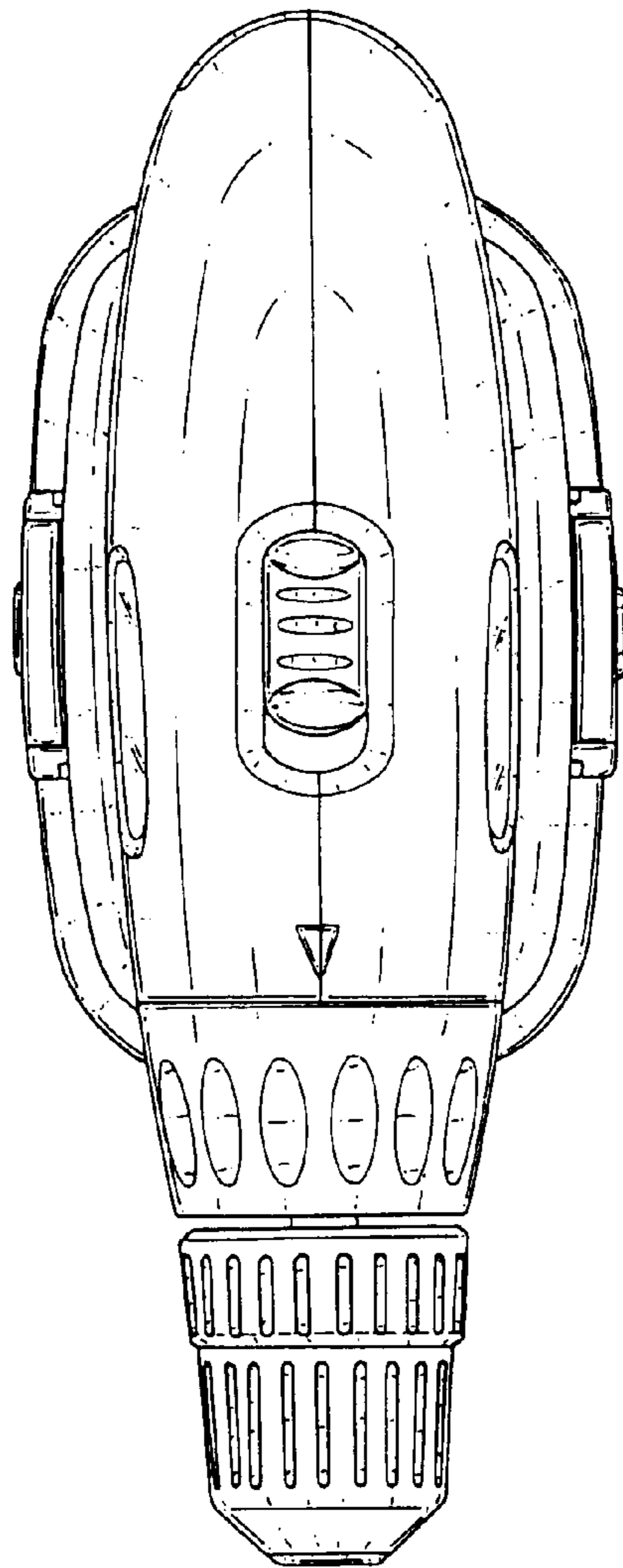


FIG. 6

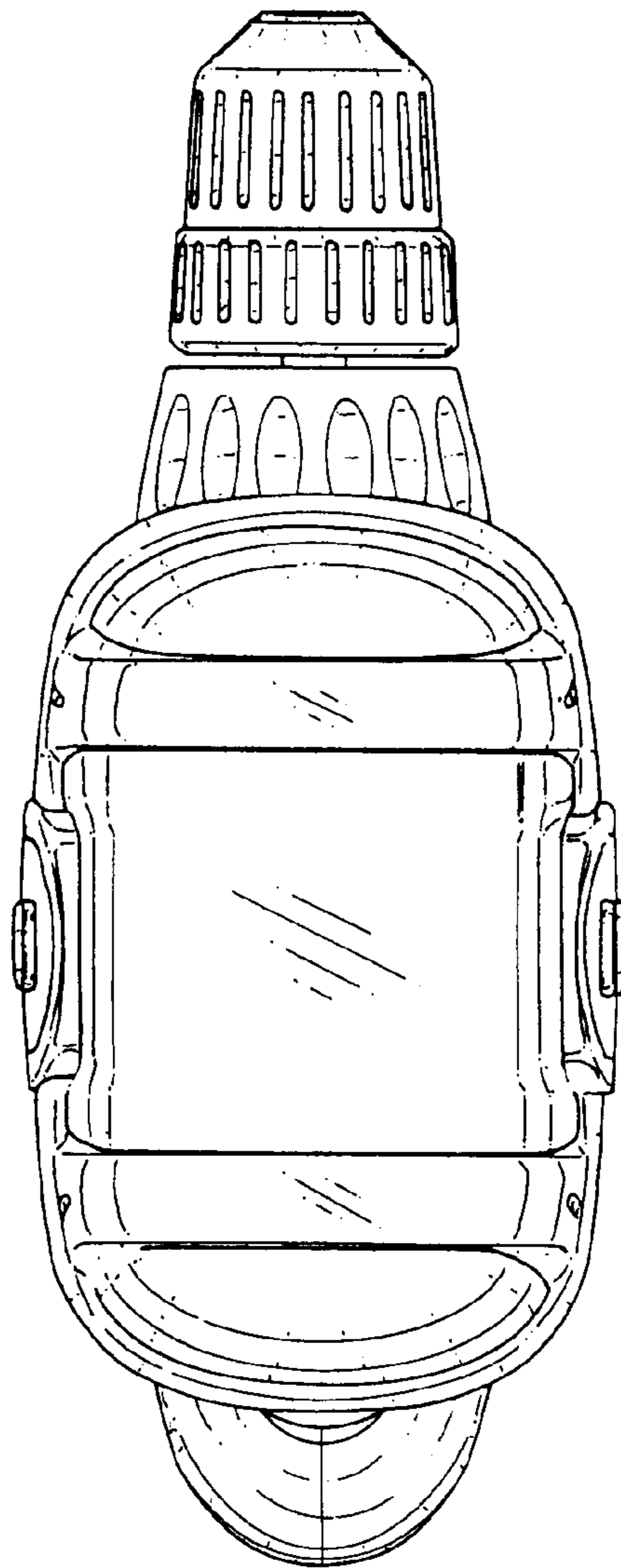


FIG. 7