



US00D515379S

(12) **United States Design Patent** (10) **Patent No.:** **US D515,379 S**
Corcoran (45) **Date of Patent:** **** Feb. 21, 2006**

(54) **CORDLESS POWER TOOL**
(75) Inventor: **Michael Corcoran, Hexam (GB)**
(73) Assignee: **Black & Decker Inc., Newark, DE (US)**
(**) Term: **14 Years**
(21) Appl. No.: **29/219,222**
(22) Filed: **Dec. 14, 2004**
(30) **Foreign Application Priority Data**
Jun. 29, 2004 (GB) 3017860
(51) **LOC (8) Cl. 08-05**
(52) **U.S. Cl. D8/68**
(58) **Field of Classification Search D8/14.1,**
D8/61, 62, 63, 64, 65, 66, 67, 68, 69, 70;
81/57.11, 429, 464, 465, 466, 469, 489; 173/13,
173/169, 178, 213, 217; 227/8, 114, 120,
227/130, 136, 142; 310/50; 408/20, 124,
408/125, 234, 241 R; 451/358
See application file for complete search history.

DE	M 96 04 586	2/1997
DE	M 498 07 545	2/1999
DE	M 402 01 785	6/2002
DE	M 403 02 379	8/2003
DE	M 403 04 287	1/2004
EM	000051206-0001	11/2003
FR	0 364 416-418	6/1994
FR	603 457-466	12/2000
FR	643 501-507	11/2001
FR	678 364-371	10/2002
JP	929771	7/1995
JP	929887	7/1995
JP	940431	11/1995
JP	941441	12/1995
JP	929887-1	1/1997
JP	929887-2	1/1997
JP	974763	2/1997
JP	929887-3	7/1998
JP	1028193	12/1998
JP	941441-1	4/1999
JP	941441-2	4/1999
JP	1108444	5/2001
JP	1108843	5/2001
JP	1108844	5/2001
JP	1108845	5/2001

(Continued)

(56) **References Cited**
U.S. PATENT DOCUMENTS
D393,581 S * 4/1998 McCallops et al. D8/68
5,954,458 A * 9/1999 Lee 408/241 R
D414,667 S * 10/1999 Lee D8/68
D459,966 S * 7/2002 So D8/68
D484,385 S * 12/2003 Sakai et al. D8/68
D499,945 S * 12/2004 Sugawara et al. D8/68
2001/0053313 A1 * 12/2001 Luebke 408/124
2005/0121209 A1 * 6/2005 Shimizu et al. 173/217

Primary Examiner—Gary D. Watson
Assistant Examiner—T. Chase Nelson
(74) *Attorney, Agent, or Firm*—Bruce S. Shapiro; John Yun; Wesley W. Muller

(57) **CLAIM**

The ornamental design for a cordless power tool, as shown and described.

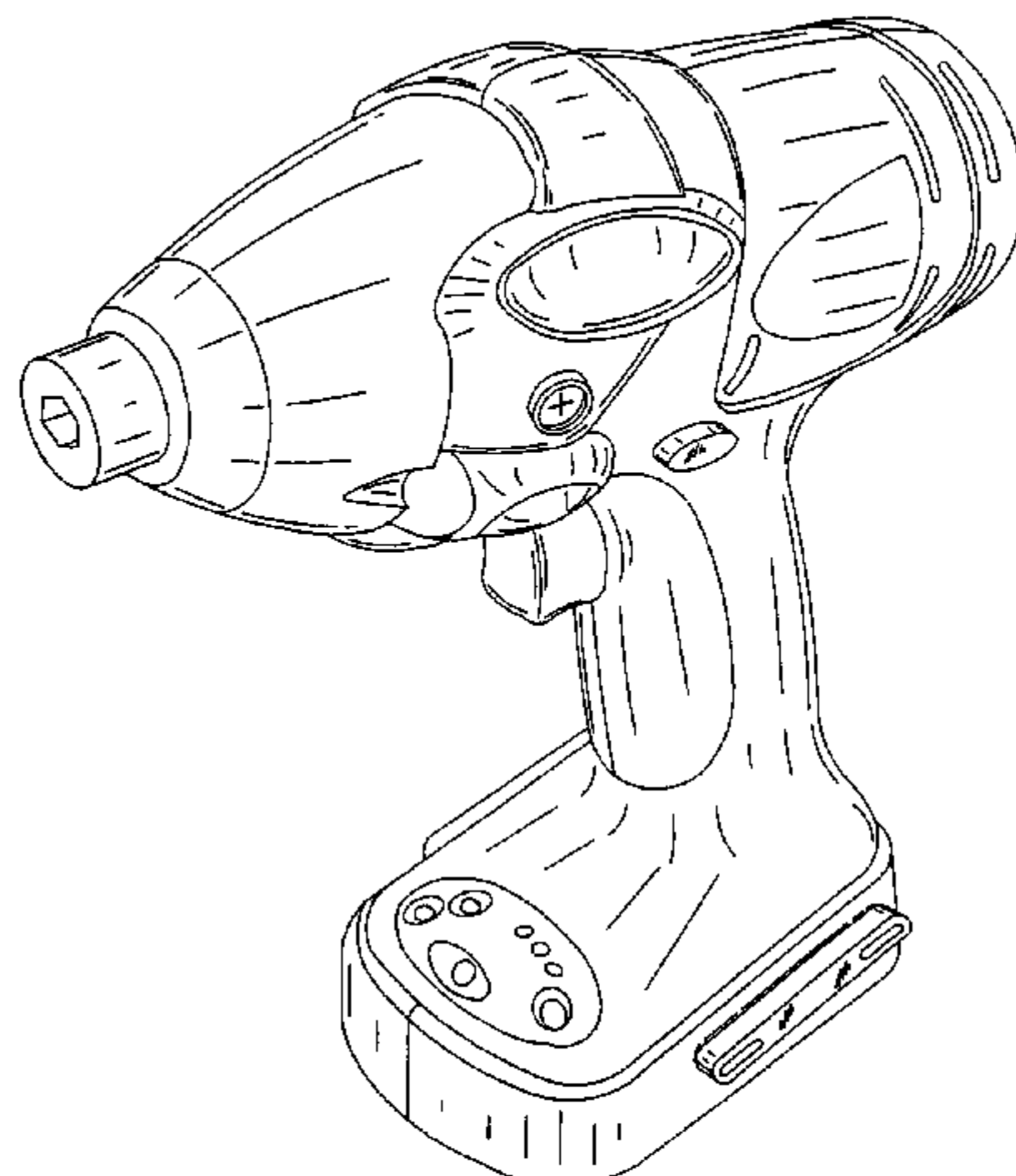
DESCRIPTION

FIG. 1 is a left/front perspective view of a cordless power tool showing my new design.
FIG. 2 is a left side elevational view thereof.
FIG. 3 is a right side view thereof.
FIG. 4 is a front view thereof.
FIG. 5 is a rear view thereof; and,
FIG. 6 is a top plan view thereof.

FOREIGN PATENT DOCUMENTS

BX	000032693-0001	11/2003
BX	000032693-0003	11/2003
BX	000074364-0001	12/2003
DE	M 92 01 941	9/1992
DE	M 93 00 144	7/1993
DE	M 93 01 028	7/1993
DE	M 96 03 012	9/1996

1 Claim, 5 Drawing Sheets



FOREIGN PATENT DOCUMENTS					
			JP	1187791	10/2003
			JP	1187792	10/2003
			JP	1202615	4/2004
			WO	DM 037 598	9/1996
			WO	DM 047 507	3/1999
			WO	DM 054 790	1/2001
			* cited by examiner		
JP	1124259	10/2001			
JP	1127635	12/2001			
JP	1157886	11/2002			
JP	1161479	12/2002			
JP	1161480	12/2002			
JP	1187784	10/2003			
JP	1187790	10/2003			

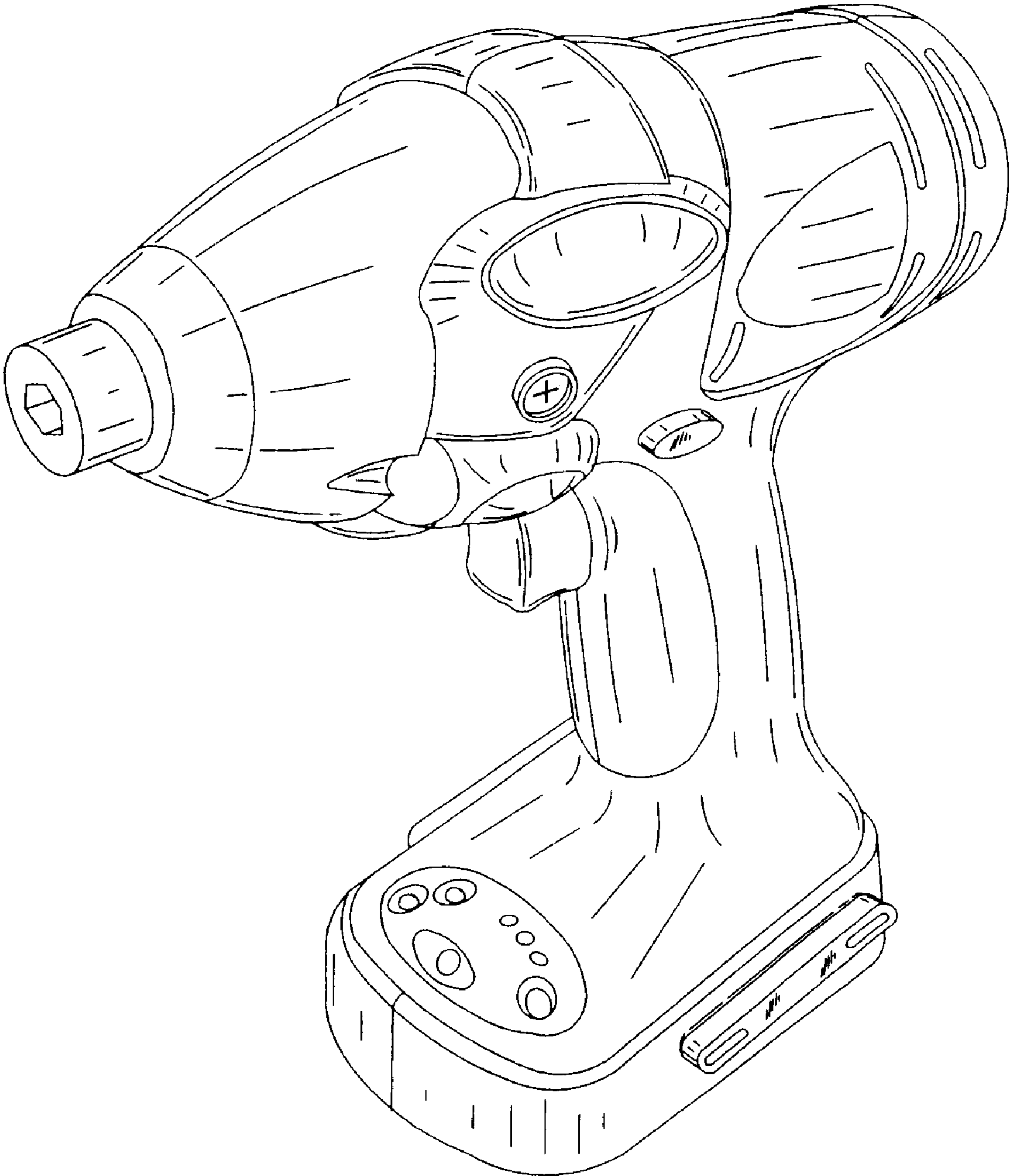


FIG. 1

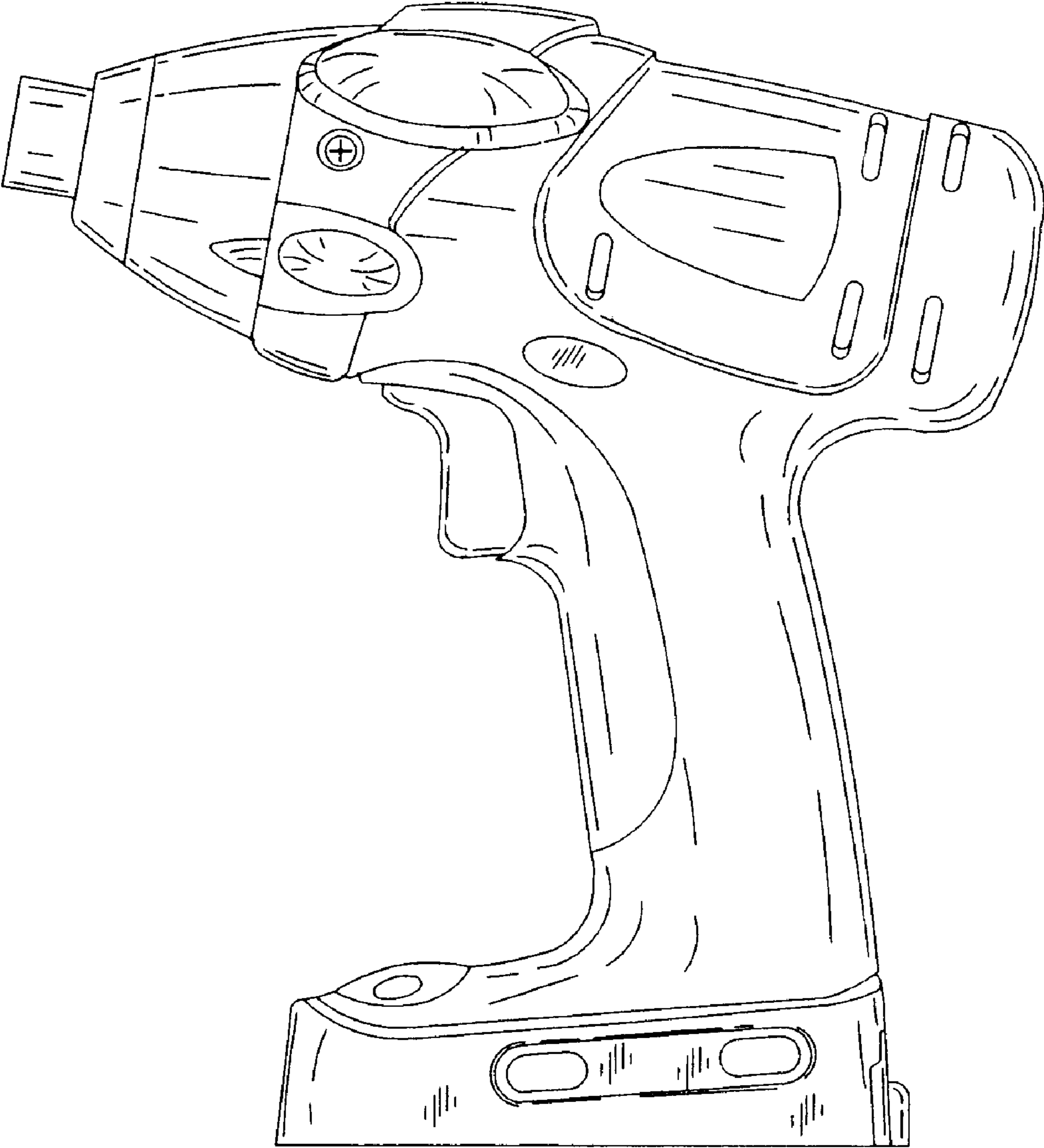


FIG.2

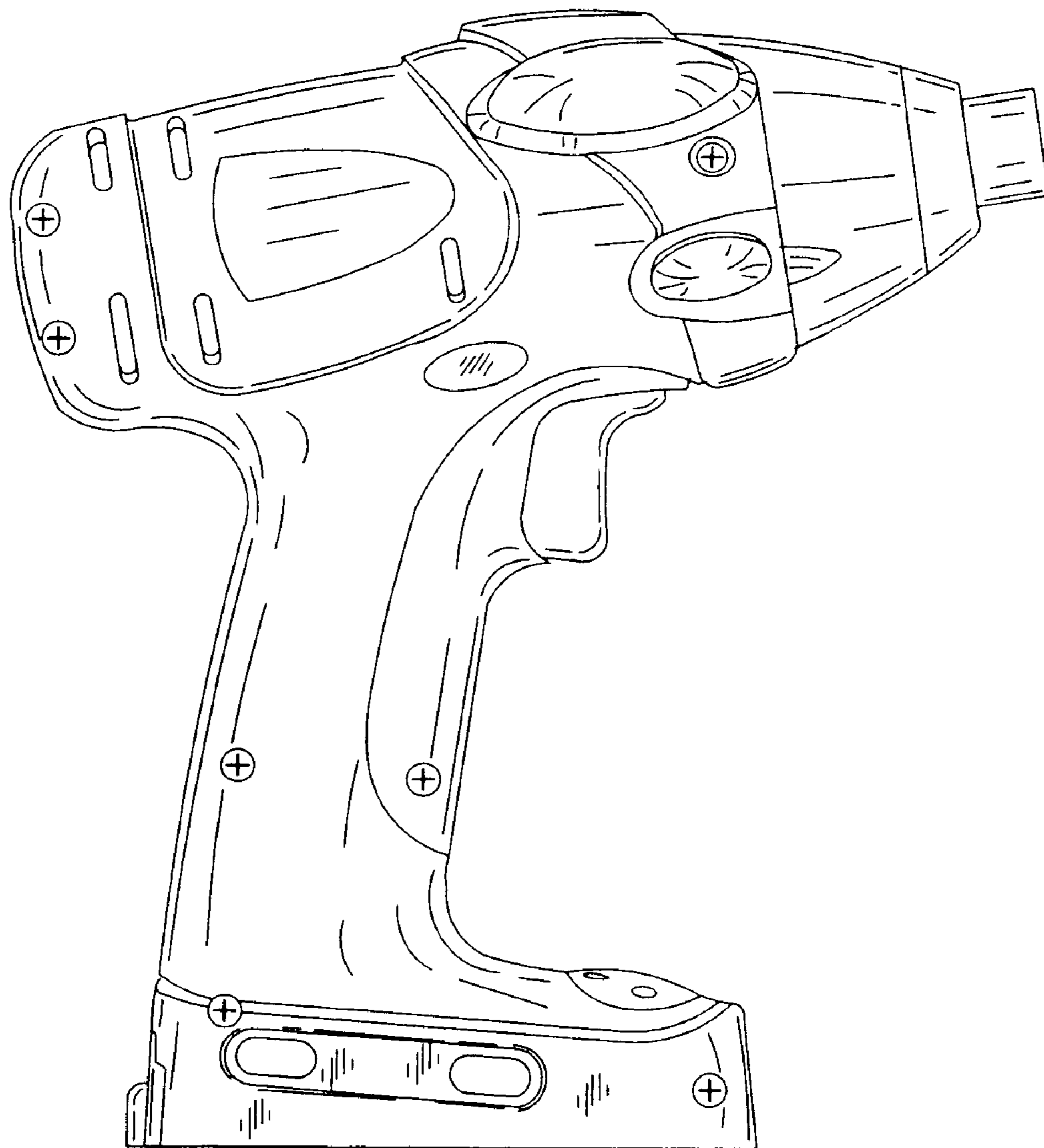


FIG.3

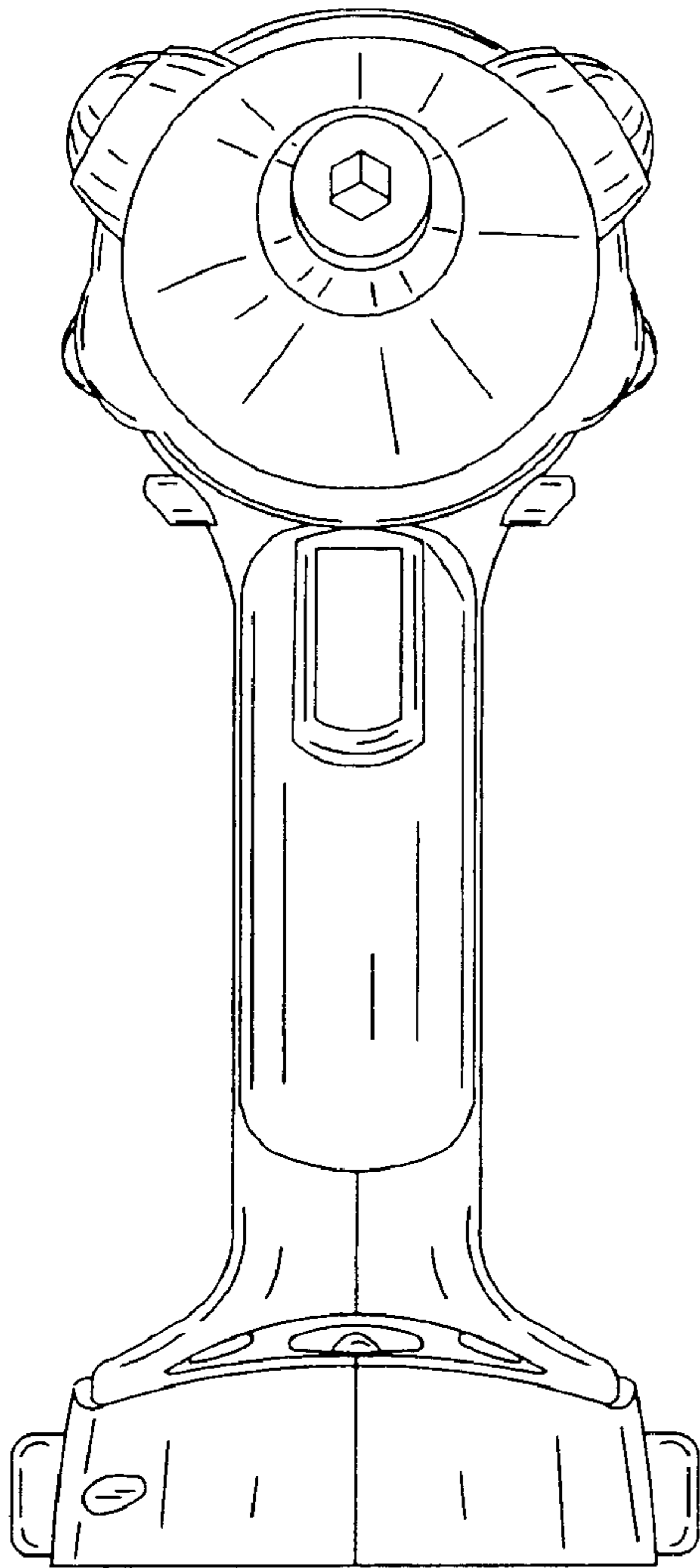


FIG. 4

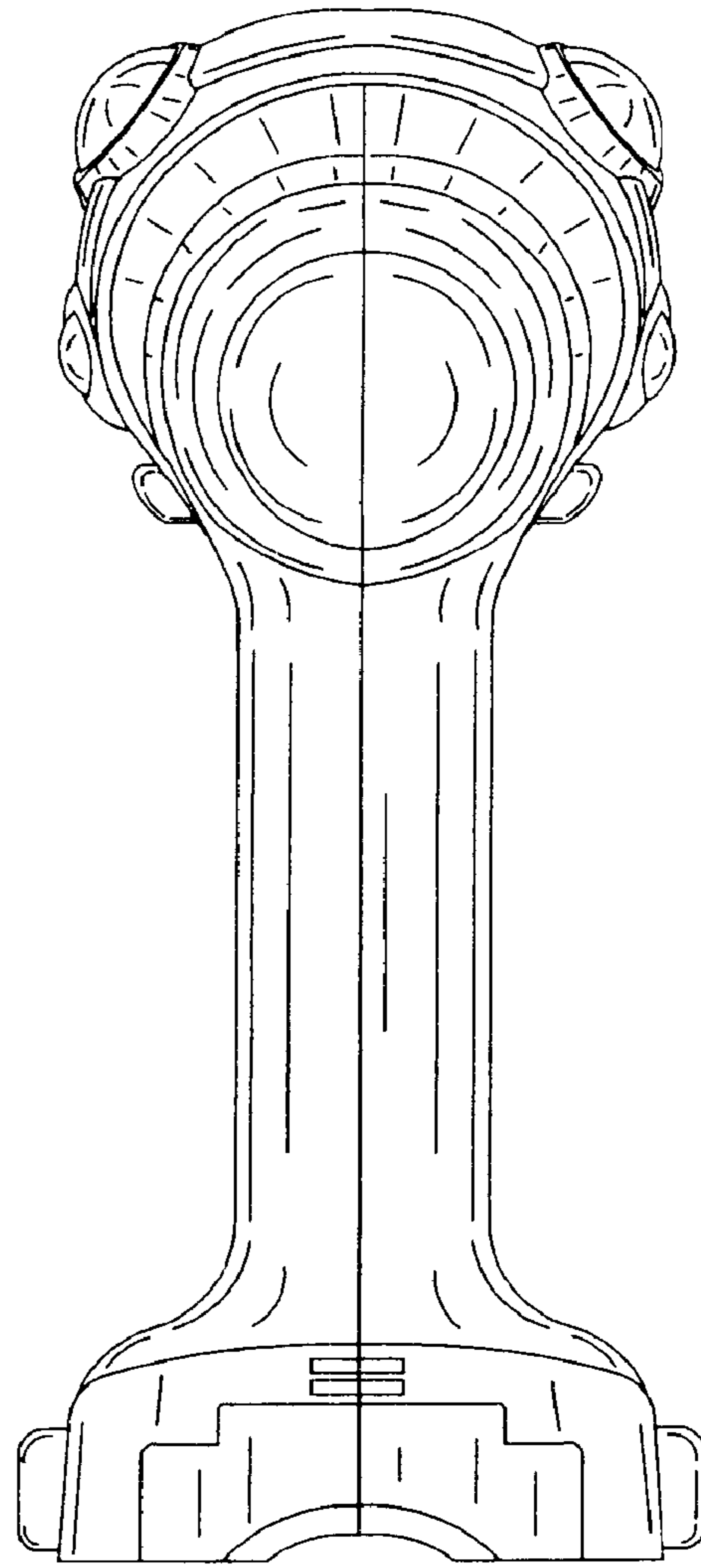


FIG. 5

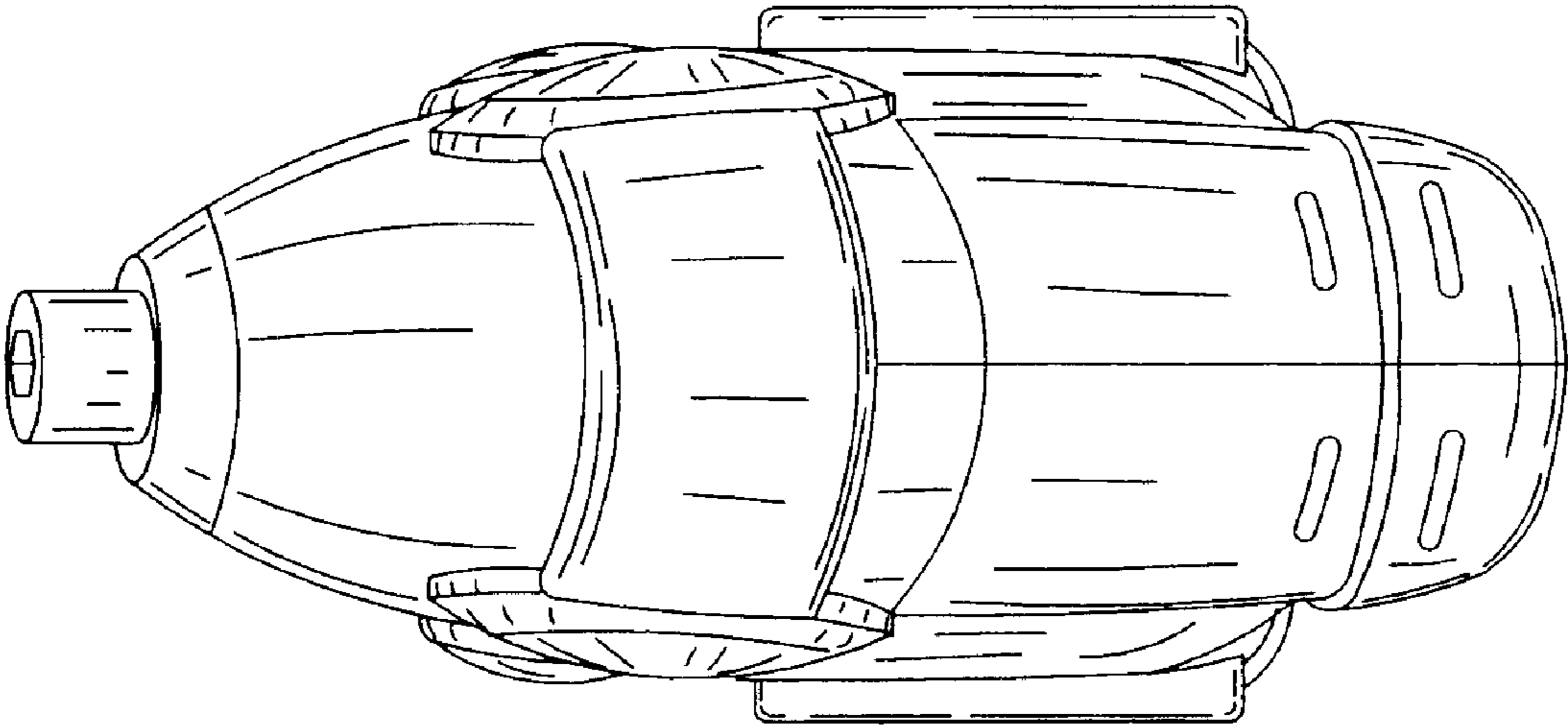


FIG.6