



US00D515377S

(12) **United States Design Patent**
Chung et al.

(10) **Patent No.:** **US D515,377 S**
(45) **Date of Patent:** **** Feb. 21, 2006**

(54) **IMPACT WRENCH**

(75) Inventors: **Ka Wai Chung**, Tuen Mun (HK);
Benjamin J. Thomas, Anderson, SC
(US)

(73) Assignee: **One World Technologies Limited**,
Hamilton (BM)

(**) Term: **14 Years**

(21) Appl. No.: **29/215,827**

(22) Filed: **Oct. 26, 2004**

(51) **LOC (8) Cl.** **08-05**

(52) **U.S. Cl.** **D8/68**

(58) **Field of Classification Search** D8/14.1,
D8/61, 62, 63, 64, 65, 66, 67, 68, 69, 70;
81/57.11, 429, 464, 465, 466, 469, 489; 173/13,
173/169, 178, 213, 217; 227/8, 114, 120,
227/130, 136, 142; 310/50; 408/20, 124,
408/125, 234, 241 R; 451/358

See application file for complete search history.

(56) **References Cited**

U.S. PATENT DOCUMENTS

2,907,239	A	10/1959	Schwenk	
3,203,283	A	8/1965	Newman	
3,476,960	A	11/1969	Rees	
D221,205	S	* 7/1971	Yran	D8/68
D221,206	S	* 7/1971	Yran	D8/68
D223,134	S	3/1972	Bunyea	
D261,222	S	* 10/1981	Bunyea	D8/68
4,730,134	A	* 3/1988	Sistare	310/50
D315,855	S	4/1991	Fushiya et al.	

D394,995	S	* 6/1998	Cooper	D8/68
D400,074	S	* 10/1998	Cooper	D8/68
D403,219	S	* 12/1998	Bosten et al.	D8/68
5,984,022	A	* 11/1999	Harman et al.	81/57.11
D429,134	S	8/2000	Schultz et al.	
D470,027	S	* 2/2003	Chunn et al.	D8/68
D470,378	S	* 2/2003	Chunn et al.	D8/68
D489,955	S	5/2004	Concari et al.	
D494,033	S	* 8/2004	Thomas et al.	D8/67
D496,573	S	* 9/2004	Cooper	D8/68
D497,786	S	* 11/2004	Concari	D8/68
2003/0165366	A1	* 9/2003	Bennage et al.	408/241 R

* cited by examiner

Primary Examiner—Gary D. Watson

Assistant Examiner—T. Chase Nelson

(74) *Attorney, Agent, or Firm*—Brinks Hofer Gilson & Lione

(57) **CLAIM**

The ornamental design for an impact wrench, as shown and described.

DESCRIPTION

FIG. 1 is a top perspective view of an impact wrench of the present invention;

FIG. 2 is a first side view thereof;

FIG. 3 is a second side view thereof;

FIG. 4 is a front view thereof;

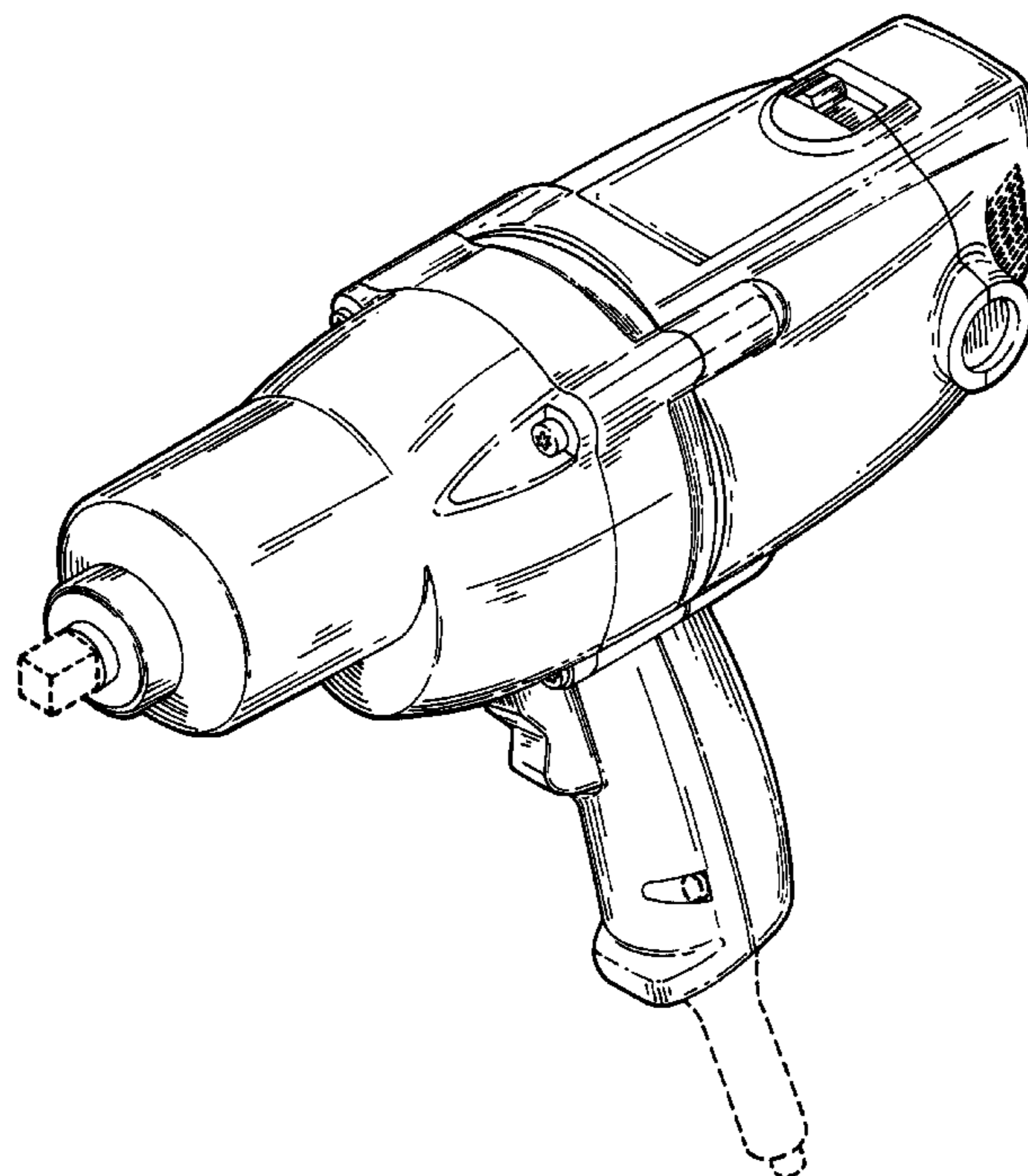
FIG. 5 is a rear view thereof;

FIG. 6 is a top view thereof; and,

FIG. 7 is a bottom view thereof.

Any broken lines in the drawings are for illustrative purposes only and form no part of the claimed design.

1 Claim, 5 Drawing Sheets



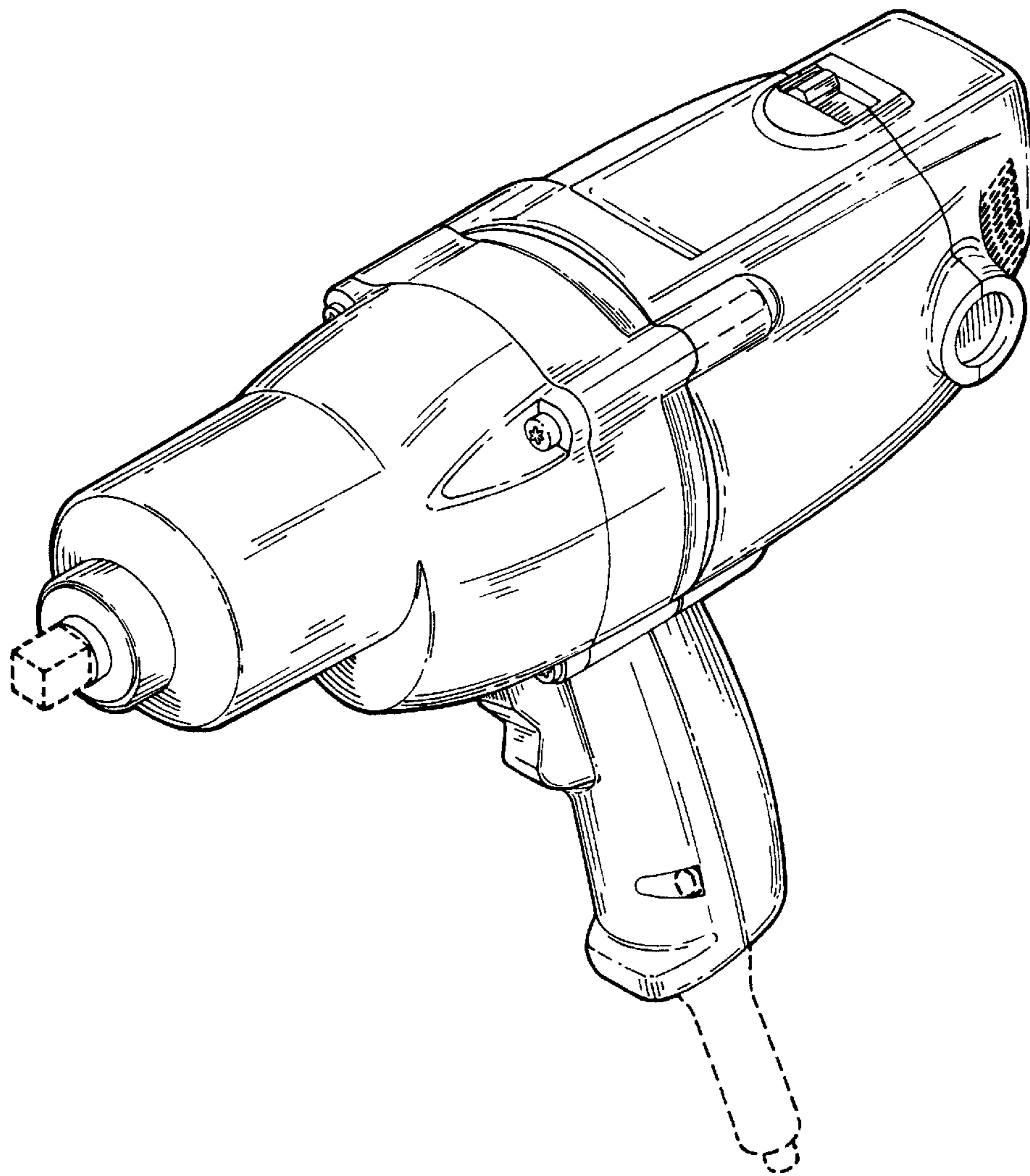


Fig.1

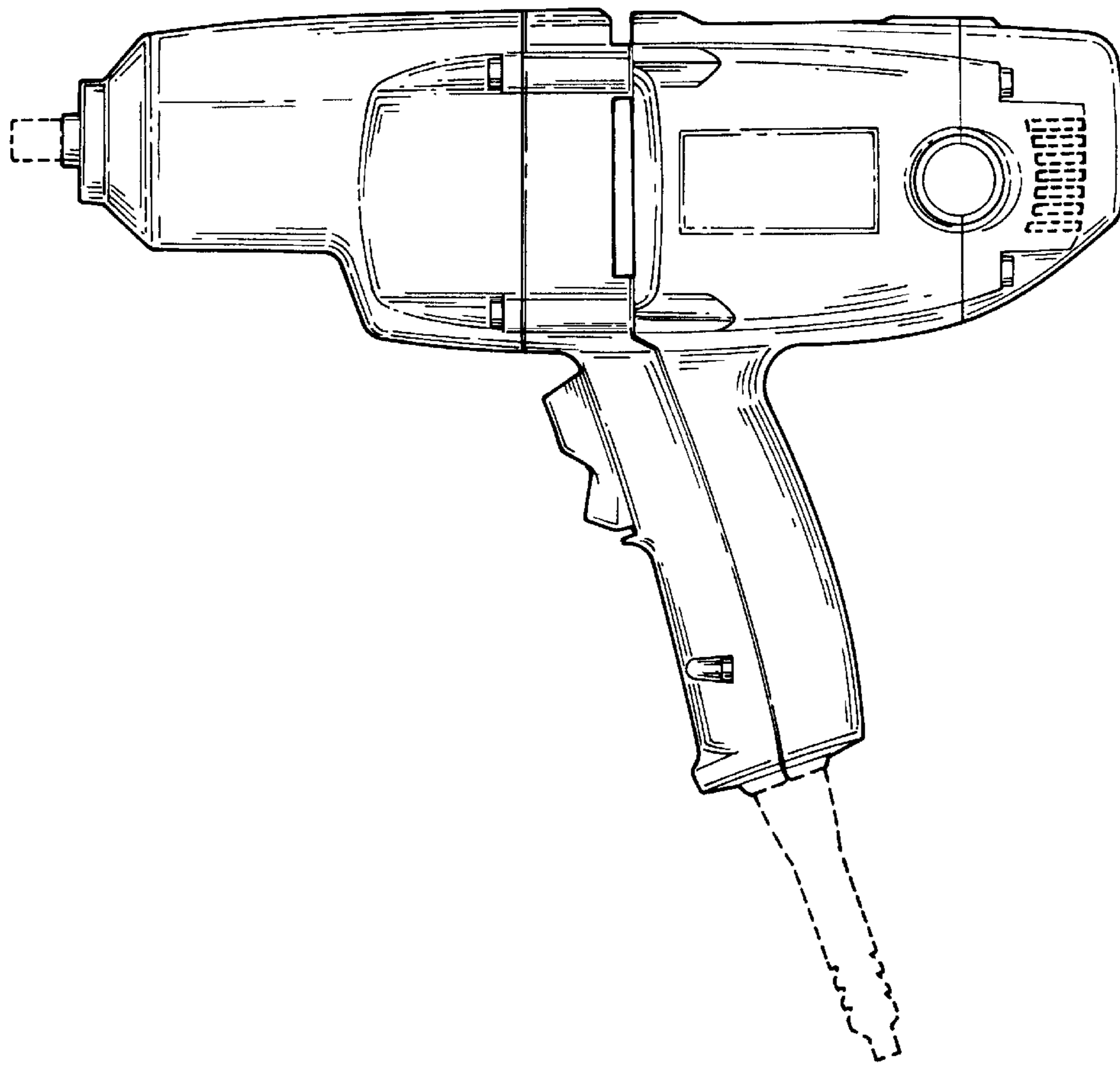


Fig. 2

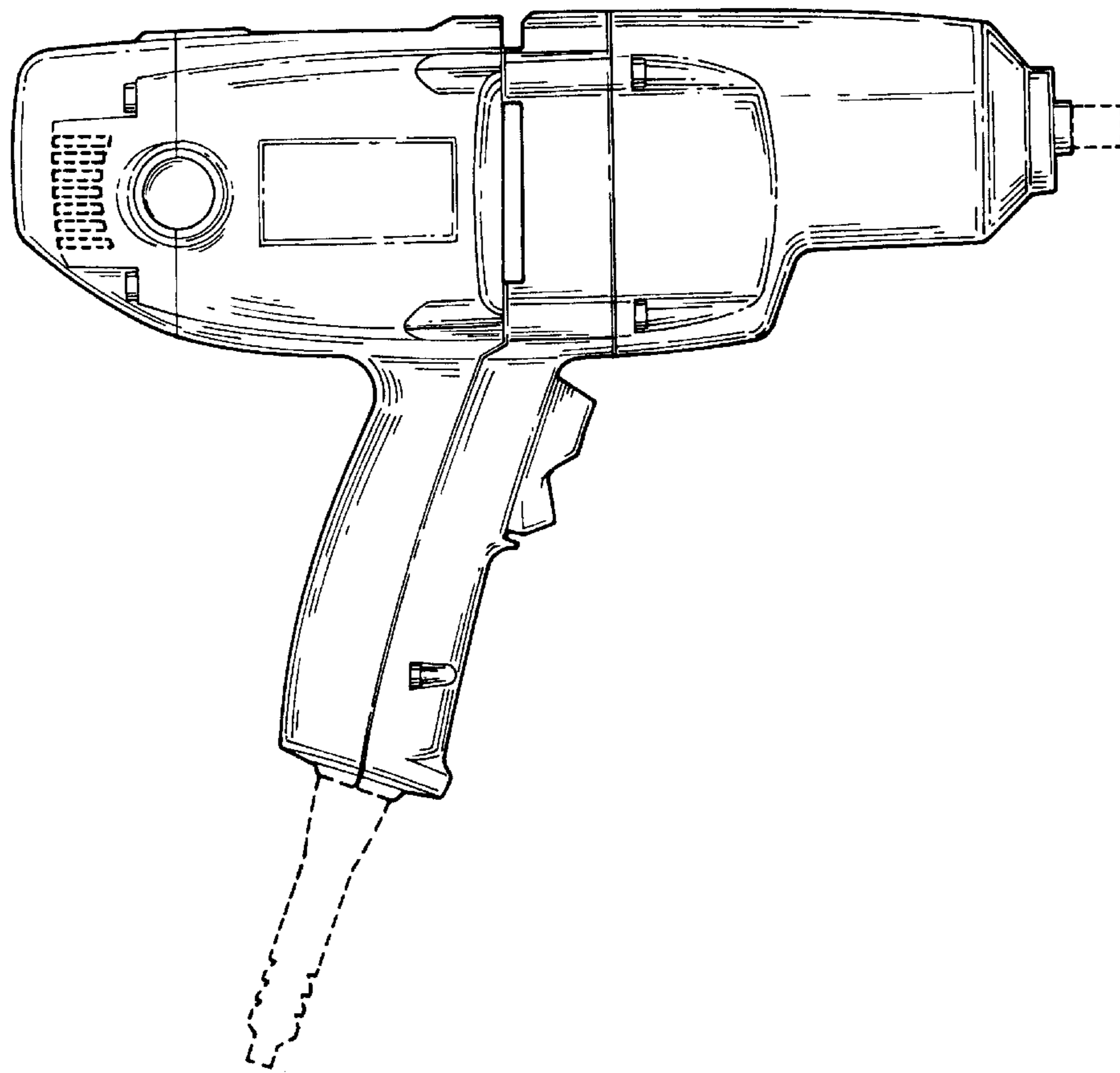


Fig. 3

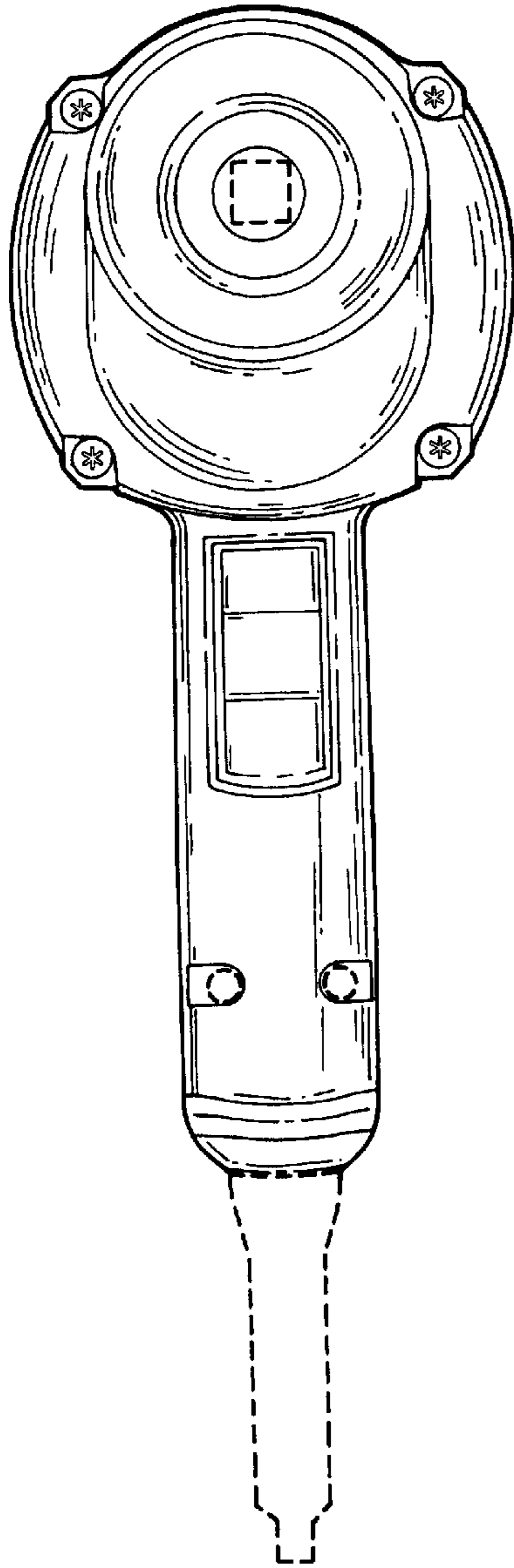


Fig. 4

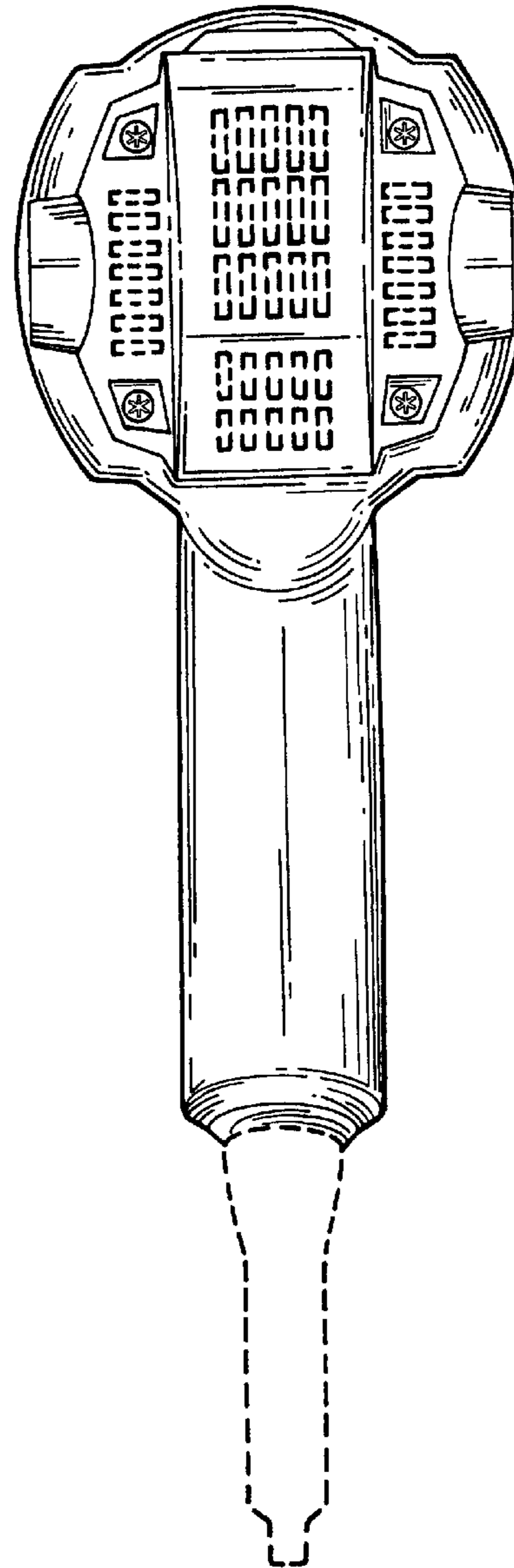


Fig. 5

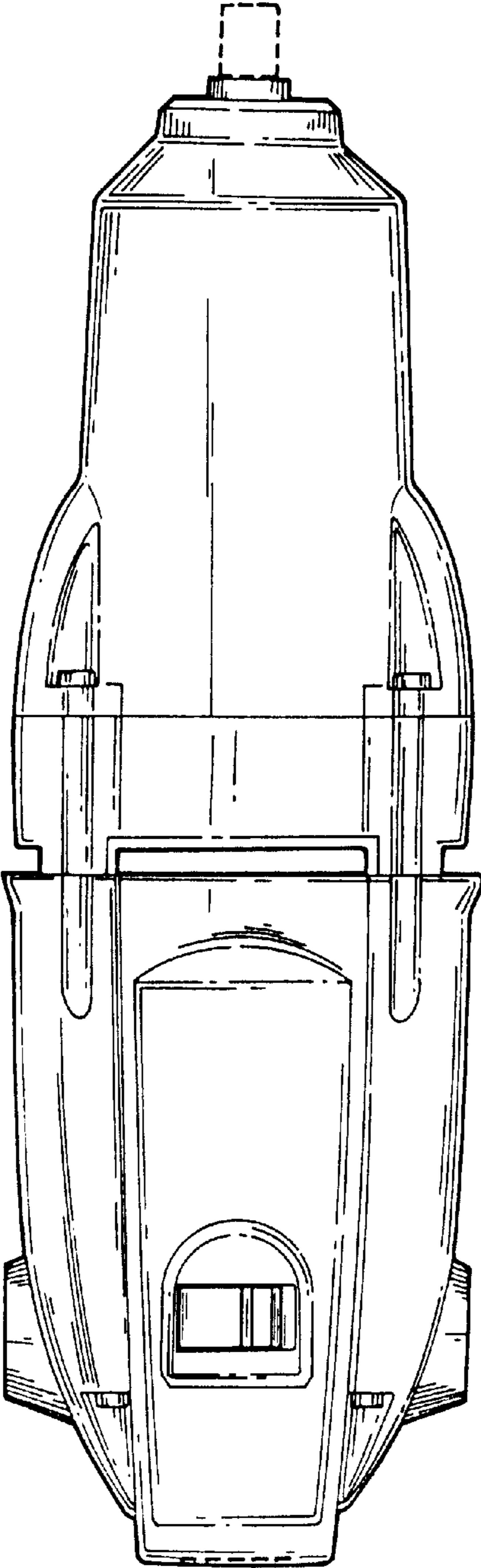


Fig. 6

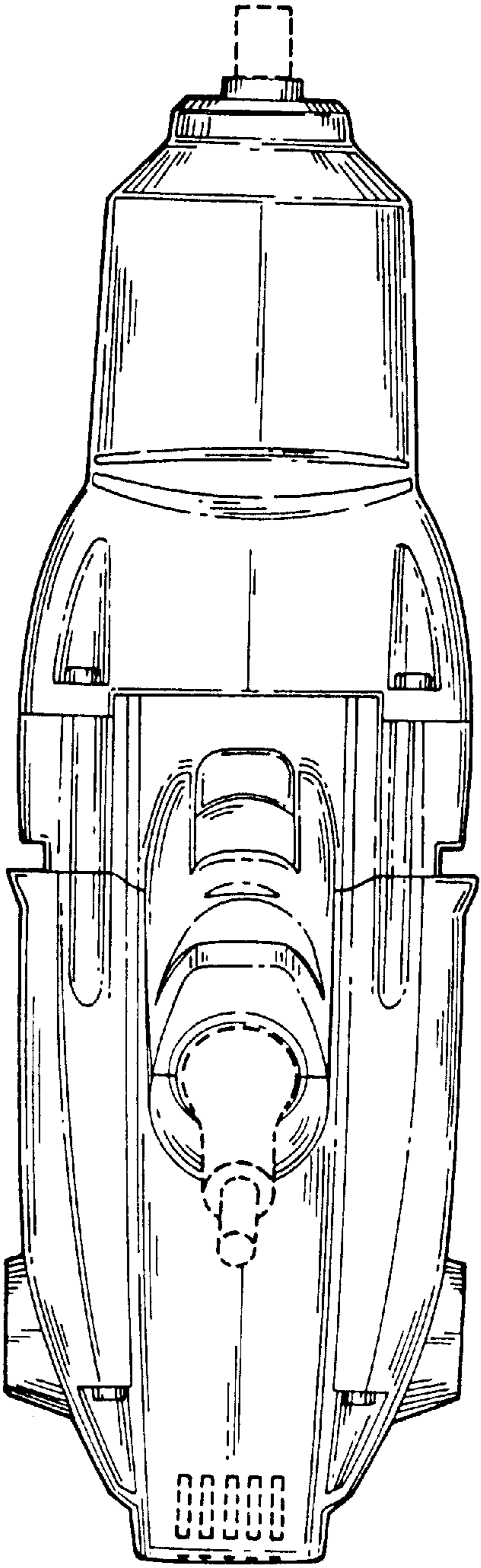


Fig. 7