



US00D515376S

(12) **United States Design Patent** (10) **Patent No.:** **US D515,376 S**
Wacker et al. (45) **Date of Patent:** **** Feb. 21, 2006**

(54) **DRILL DRIVER**
(75) Inventors: **Charles M. Wacker**, Chandler, AZ (US); **Taku Ohi**, Greer, SC (US); **Kenneth M. Brazell**, Piedmont, SC (US); **James Huang Lua**, Columbus, OH (US); **Rusty Lay**, Greenville, SC (US)

(73) Assignee: **One World Technologies Limited**, Hamilton (BM)

(**) Term: **14 Years**

(21) Appl. No.: **29/214,184**

(22) Filed: **Sep. 29, 2004**

(51) **LOC (8) Cl.** **08-01**

(52) **U.S. Cl.** **D8/68**

(58) **Field of Classification Search** D8/14.1, D8/61, 62, 63, 64, 65, 66, 67, 68, 69, 70; 81/57.11, 429, 464, 465, 466, 469, 489; 173/13, 173/169, 178, 213, 217; 227/8, 114, 120, 227/130, 136, 142; 310/50; 408/20, 124, 408/125, 234, 241 R; 451/358

See application file for complete search history.

(56) **References Cited**

U.S. PATENT DOCUMENTS

- D339,046 S 9/1993 Fushiya et al.
- D340,394 S 10/1993 Okumura
- D340,396 S 10/1993 Ichikawa
- D342,430 S 12/1993 Saito et al.
- D345,090 S 3/1994 Okumura
- D359,215 S 6/1995 Zurwelle
- D362,167 S 9/1995 Zurwelle
- D368,009 S 3/1996 Zurwelle
- D368,214 S 3/1996 Zurwelle
- D380,952 S 7/1997 Kim
- D382,457 S 8/1997 Ghode et al.
- D392,863 S 3/1998 Sugimoto et al.
- D396,177 S 7/1998 Schultz
- D396,789 S 8/1998 Murray
- D419,413 S * 1/2000 Heun D8/68

- D420,877 S 2/2000 Schultz
- D424,902 S 5/2000 Gildersleeve et al.
- D426,126 S 6/2000 Schultz
- D426,760 S 6/2000 Schultz
- D428,320 S 7/2000 Ohi et al.
- D431,766 S 10/2000 Zurwelle
- 6,152,639 A * 11/2000 Hsu 408/241 R
- D435,414 S 12/2000 Etter et al.
- D436,511 S 1/2001 Hayakawa et al.
- D437,759 S 2/2001 Breit et al.
- D440,850 S 4/2001 Ozawa et al.
- 6,401,837 B1 6/2002 Pan
- D460,673 S 7/2002 Heun
- D460,674 S * 7/2002 Heun D8/68
- D462,592 S 9/2002 Cooper
- D464,858 S 10/2002 Netzler
- D464,859 S * 10/2002 Netzler D8/68

(Continued)

FOREIGN PATENT DOCUMENTS

- GB 2088479 S * 11/1999
- GB 3000001 S * 12/2001

Primary Examiner—Gary D. Watson
Assistant Examiner—T. Chase Nelson

(74) *Attorney, Agent, or Firm*—Brinks Hofer Gilson & Lione

(57) **CLAIM**

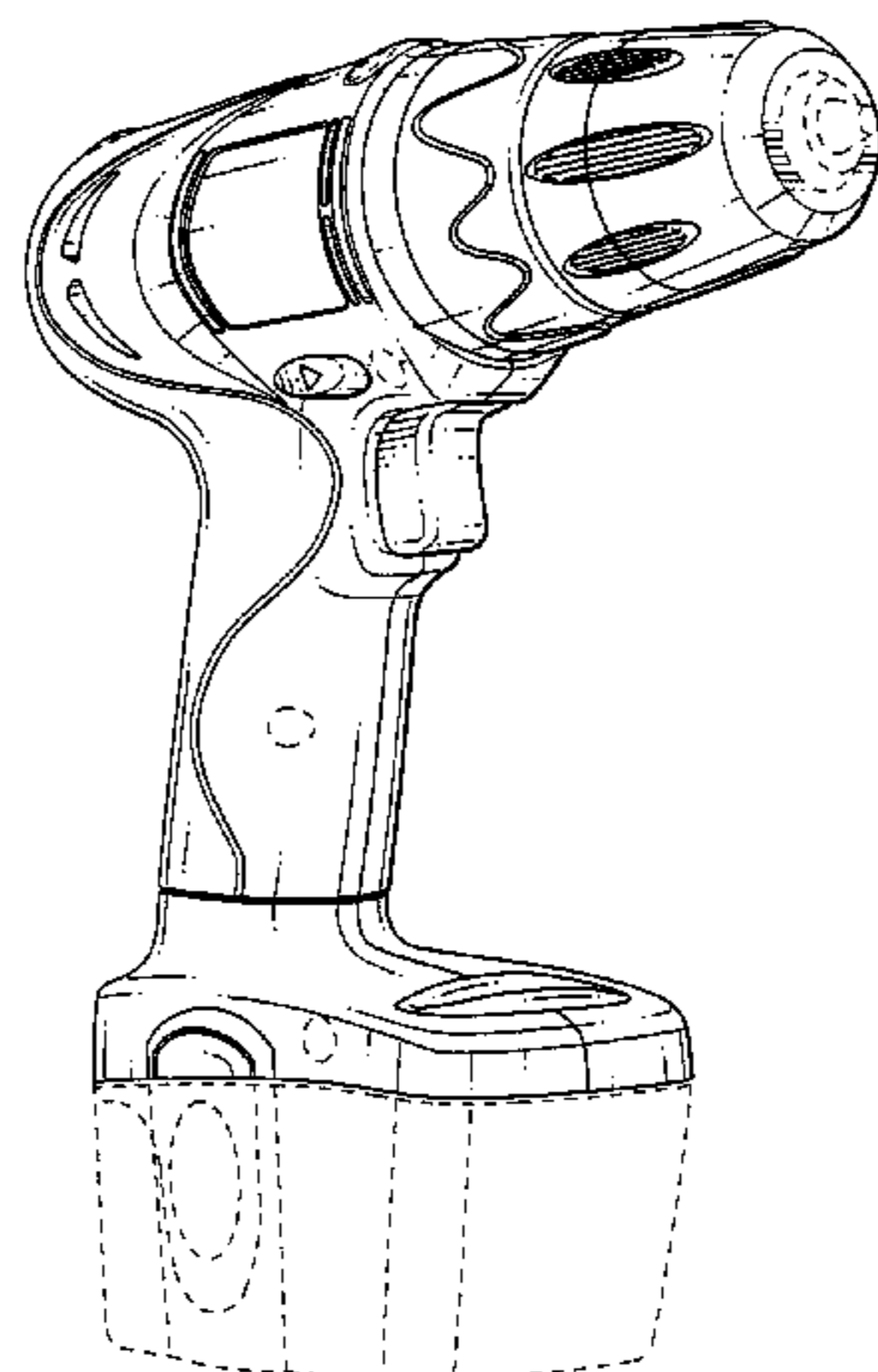
The ornamental design for a drill driver, as shown and described.

DESCRIPTION

FIG. 1 is a front and side perspective view of a drill driver of the present invention;
FIG. 2 is a first side view thereof;
FIG. 3 is a second side view thereof;
FIG. 4 is a front view thereof;
FIG. 5 is a rear view thereof;
FIG. 6 is a top view thereof; and,
FIG. 7 is a bottom view thereof.

Any broken lines in the drawings are for illustrative purposes only and form no part of the claimed design.

1 Claim, 6 Drawing Sheets



US D515,376 S

Page 2

U.S. PATENT DOCUMENTS

D467,482 S	12/2002	Kunz et al.	D477,974 S	8/2003	Chunn et al.
D467,483 S	12/2002	Heun	D478,262 S	8/2003	Chunn et al.
D469,674 S	2/2003	Chung	D479,456 S	9/2003	Murray et al.
D469,675 S	2/2003	Chung	D482,253 S	11/2003	Cooper et al.
D472,781 S	4/2003	Netzler	6,656,626 B1	12/2003	Mooty et al.
D474,953 S	5/2003	Santarsiero et al.	6,729,480 B1	5/2004	Blake
D475,596 S	6/2003	Ozawa et al.	D494,034 S *	8/2004	Cheung D8/68
D475,909 S *	6/2003	Waldron D8/68	6,860,342 B1 *	3/2005	Wu et al. 173/217
D477,205 S	7/2003	Sakai et al.	2004/0069512 A1 *	4/2004	Ng 173/217

* cited by examiner

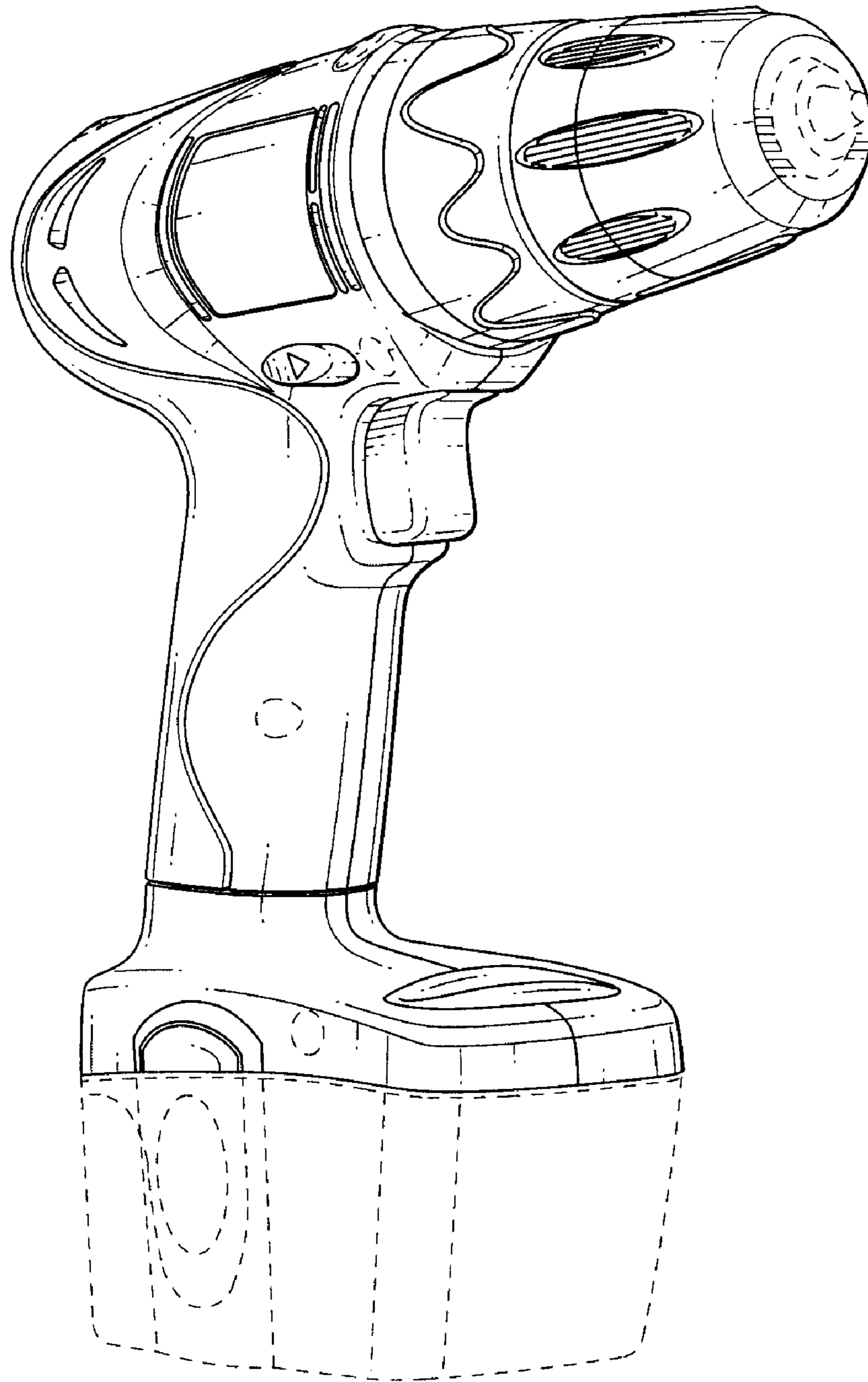


FIG. 1

FIG. 2

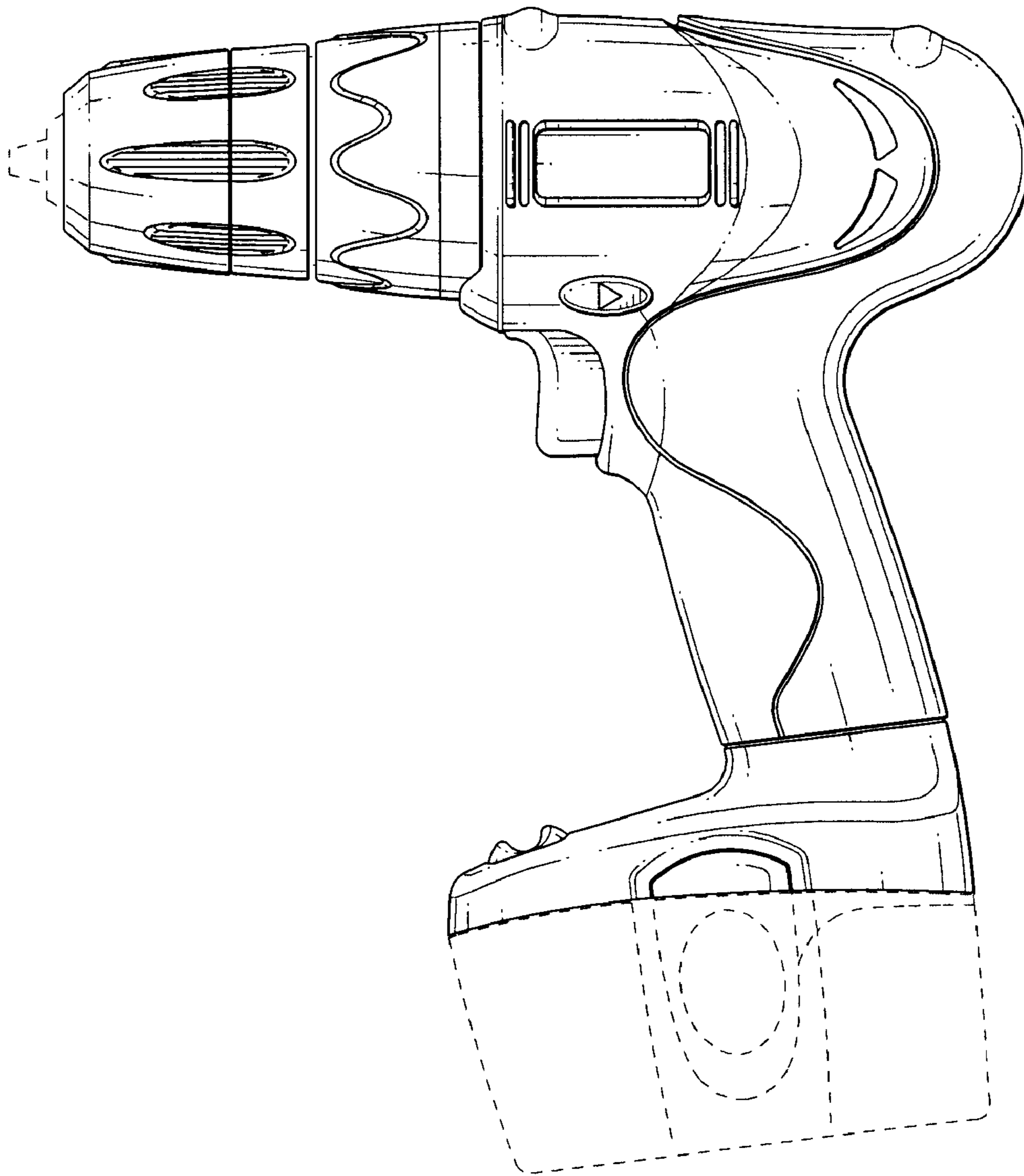


FIG. 3

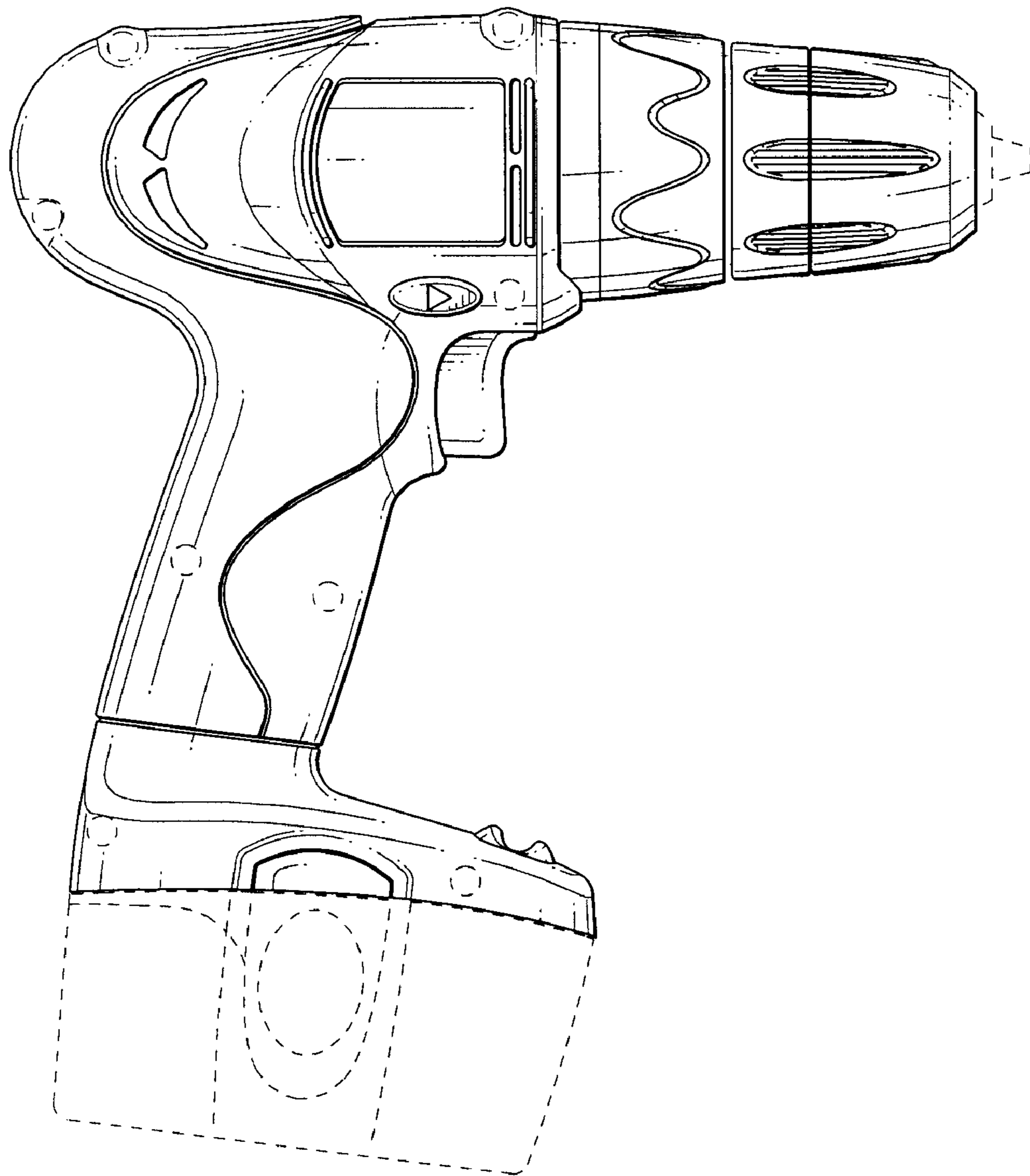


FIG. 4

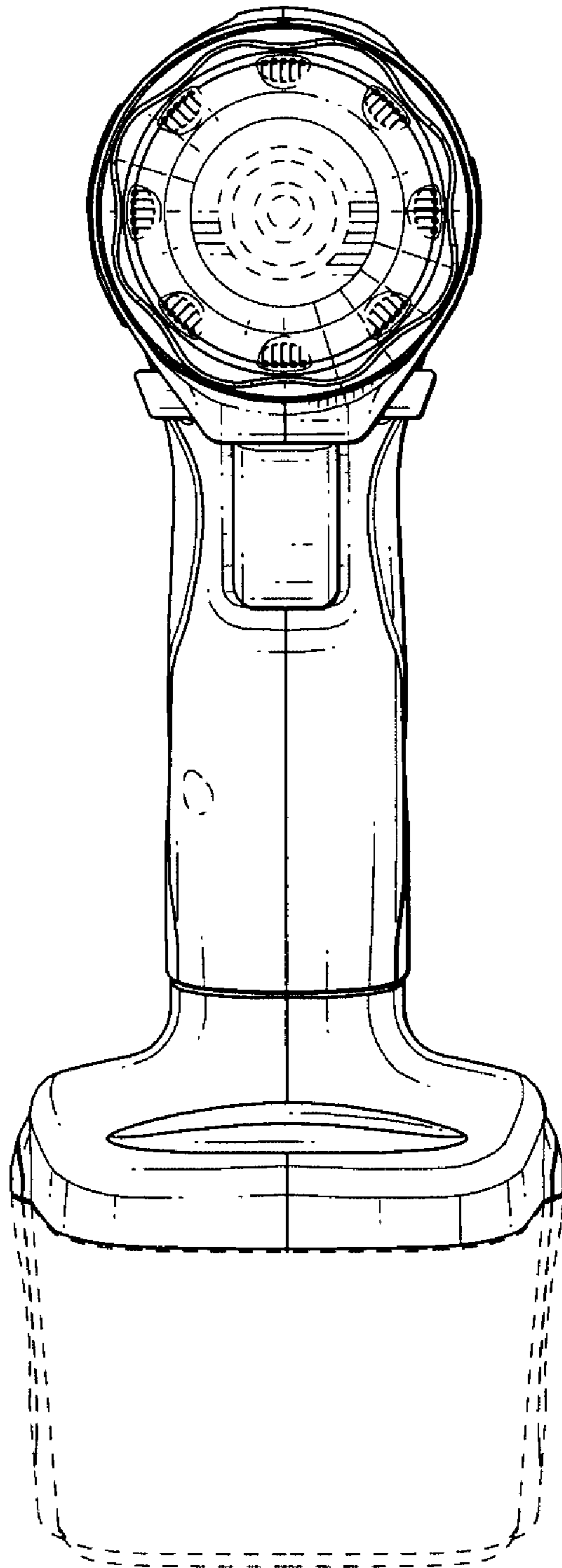


FIG. 5

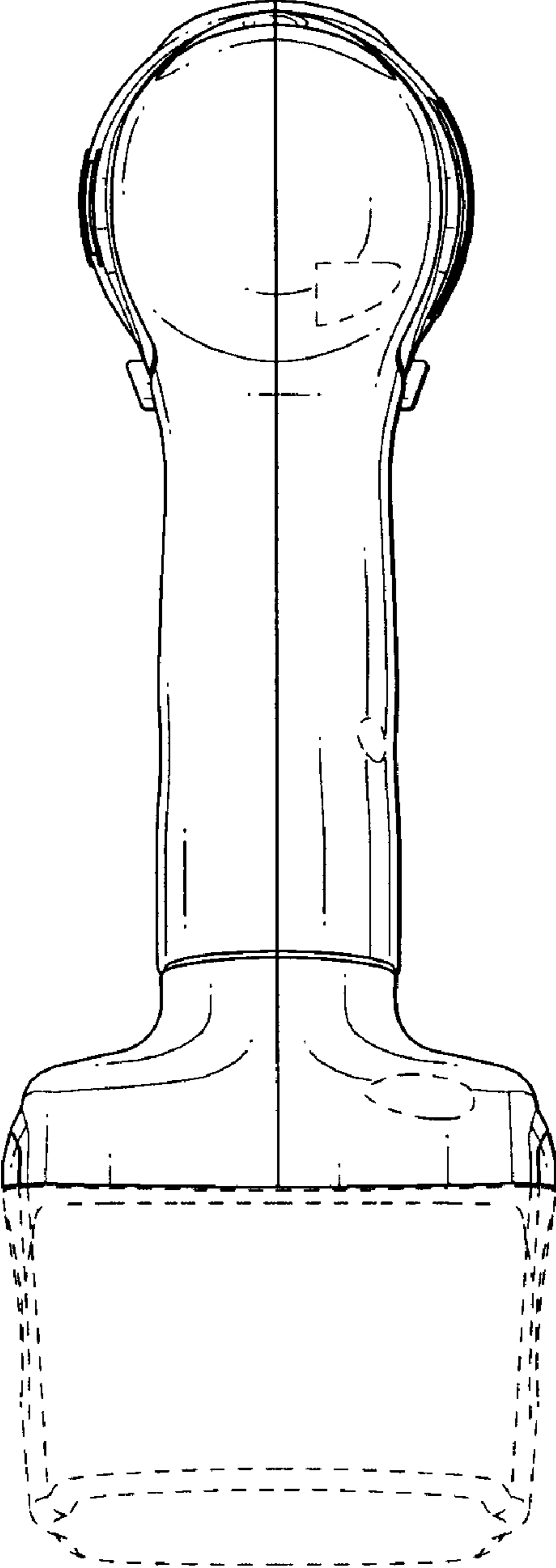


FIG. 6

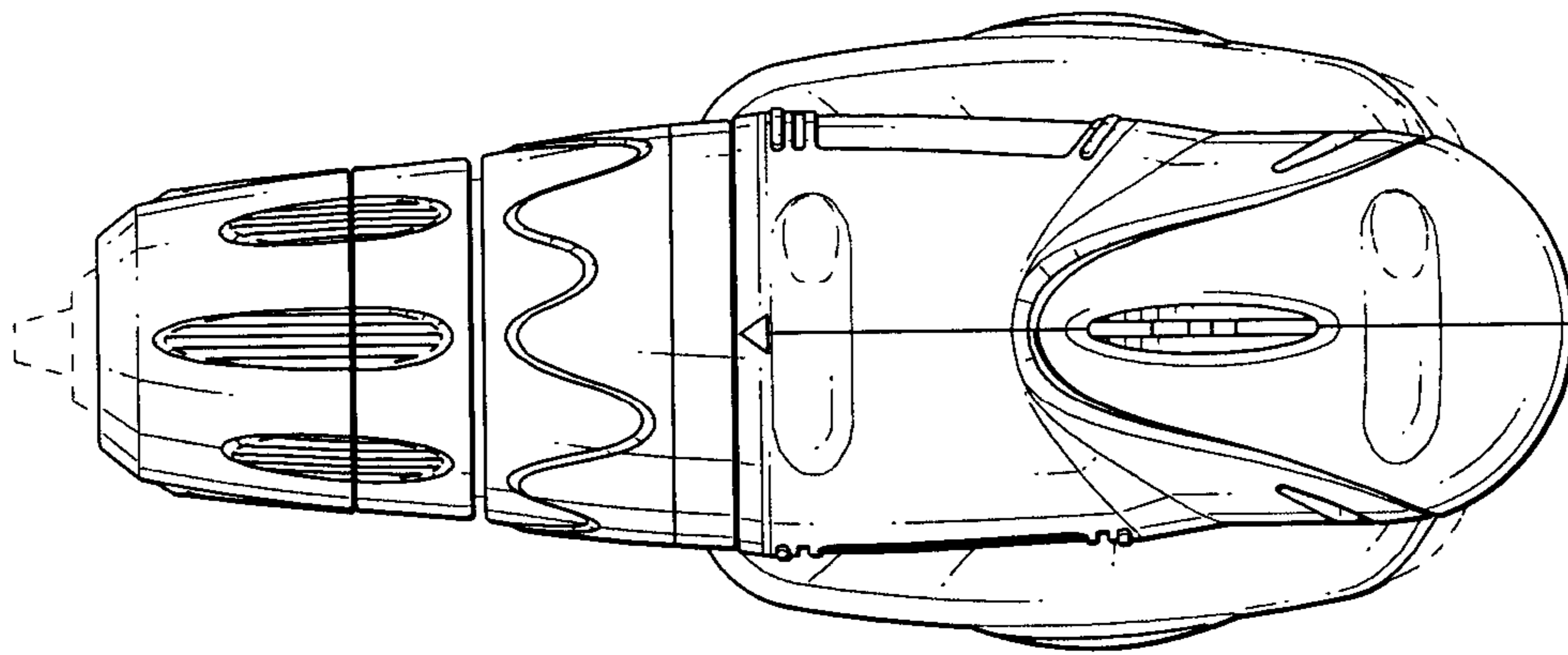


FIG. 7

