



US00D515372S

(12) **United States Design Patent**
Marston

(10) **Patent No.:** **US D515,372 S**

(45) **Date of Patent:** **** Feb. 21, 2006**

(54) **VALVE KEY TOOL**

(76) **Inventor:** **Ron O. Marston**, 4512 SE. Chase Rd.,
Gresham, OR (US) 97080

(**) **Term:** **14 Years**

(21) **Appl. No.:** **29/198,956**

(22) **Filed:** **Feb. 5, 2004**

(51) **LOC (8) Cl.** **08-05**

(52) **U.S. Cl.** **D8/21**

(58) **Field of Classification Search** D8/21,
D8/28; 81/119, 121.1, 124.3, 177.1, 60, 61,
81/177.85

See application file for complete search history.

(56) **References Cited**

U.S. PATENT DOCUMENTS

1,290,296	A	*	1/1919	Murray	81/119
1,787,185	A	*	12/1930	Baird	81/466
4,542,666	A	*	9/1985	White	81/176.1
D335,616	S	*	5/1993	Schafer	D8/21
6,364,285	B1	*	4/2002	Stinnett	251/293

* cited by examiner

Primary Examiner—Raphael Barkai
Assistant Examiner—Randall H. Gholson

(74) *Attorney, Agent, or Firm*—Olson & Olson

(57) **CLAIM**

The ornamental design for valve key tool, as shown and described.

DESCRIPTION

FIG. 1 is a foreshortened perspective view of a valve key tool showing my new design.

FIG. 2 is a foreshortened side elevation as viewed from the front right in FIG. 1, the opposite side view being a mirror image.

FIG. 3 is a top plan view as viewed from the top in FIG. 2.

FIG. 4 is a bottom plan view as viewed from the bottom in FIG. 2.

FIG. 5 is a foreshortened side view taken from the right in FIG. 2, the opposite side view being a mirror image.

FIG. 6 is a foreshortened perspective view of a second embodiment of a valve key tool showing my new design.

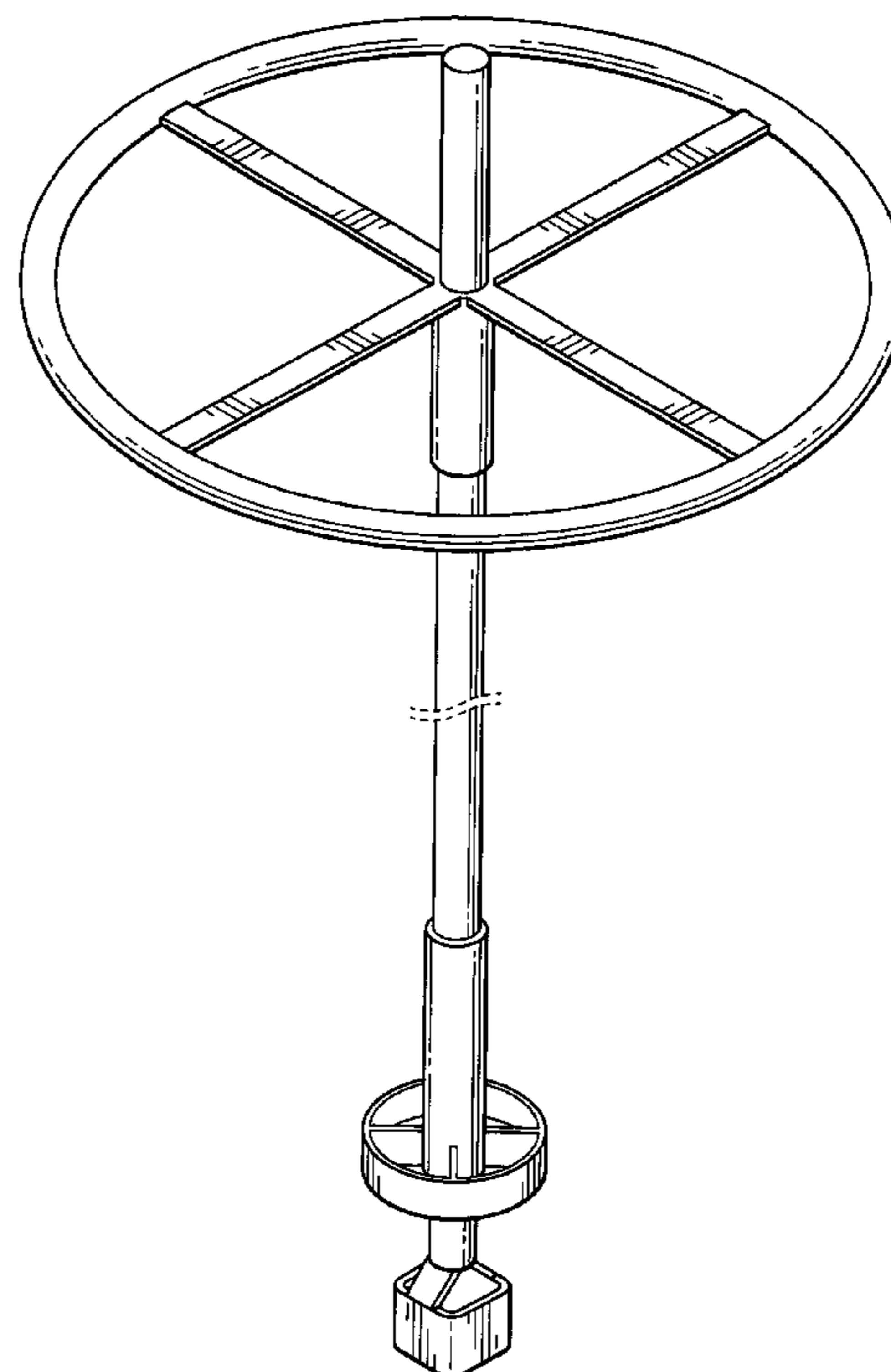
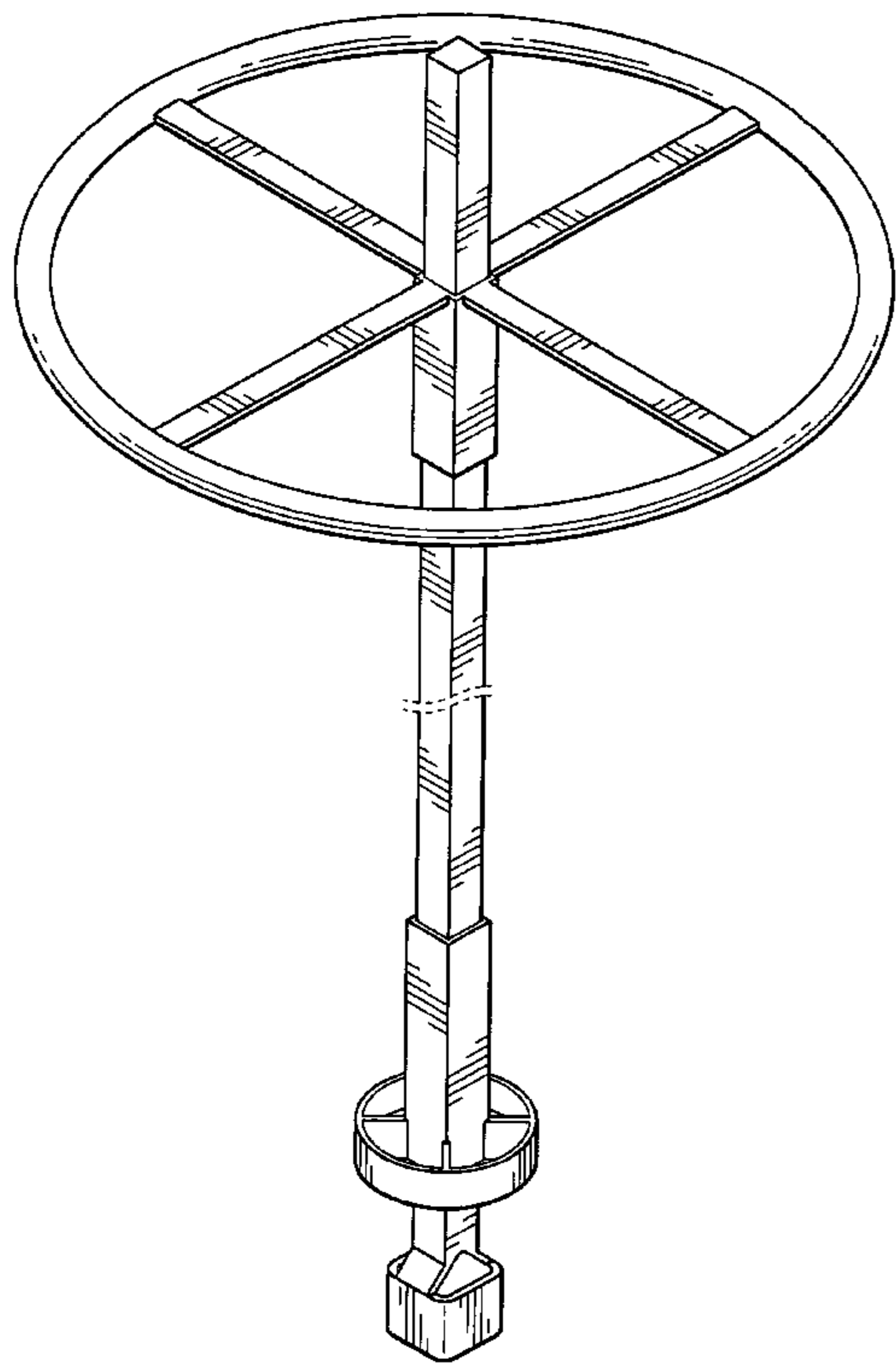
FIG. 7 is a foreshortened side elevation as viewed from the front right in FIG. 6, the opposite side view being a mirror image.

FIG. 8 is a top plan view as viewed from the top in FIG. 7.

FIG. 9 is a bottom plan view as viewed from the bottom in FIG. 7; and,

FIG. 10 is a foreshortened side elevation as viewed from the right in FIG. 7.

1 Claim, 10 Drawing Sheets



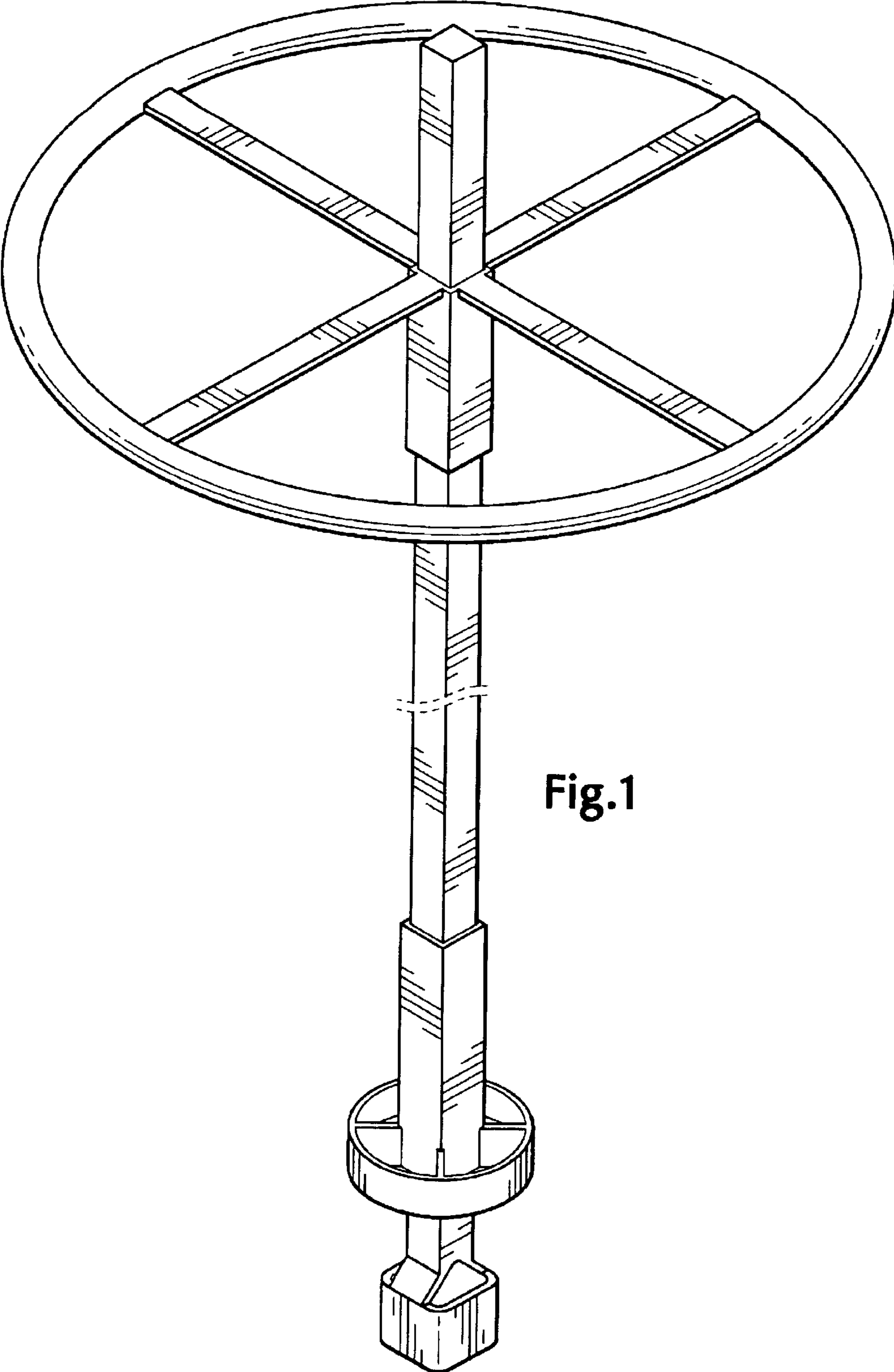


Fig.1

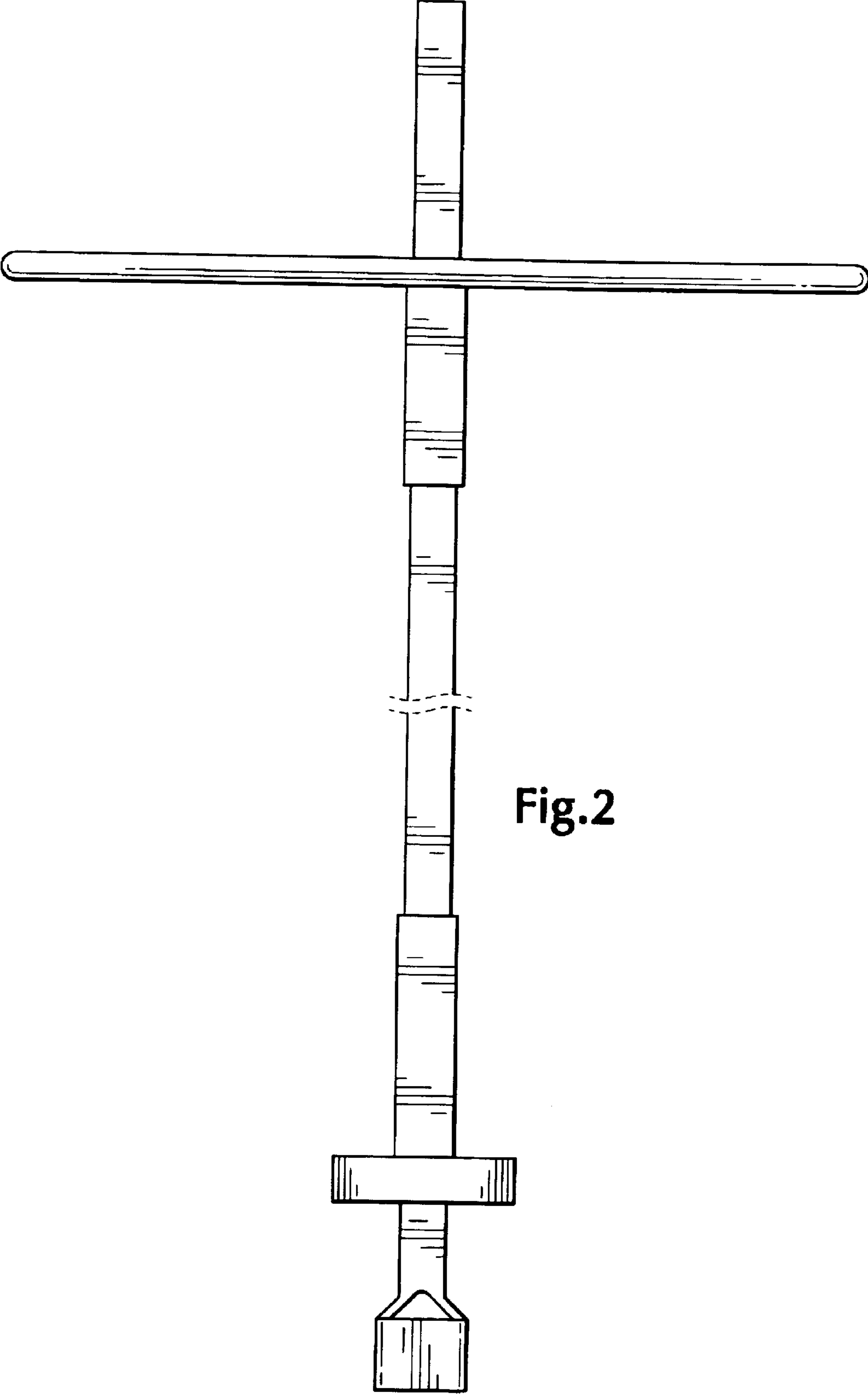


Fig. 2

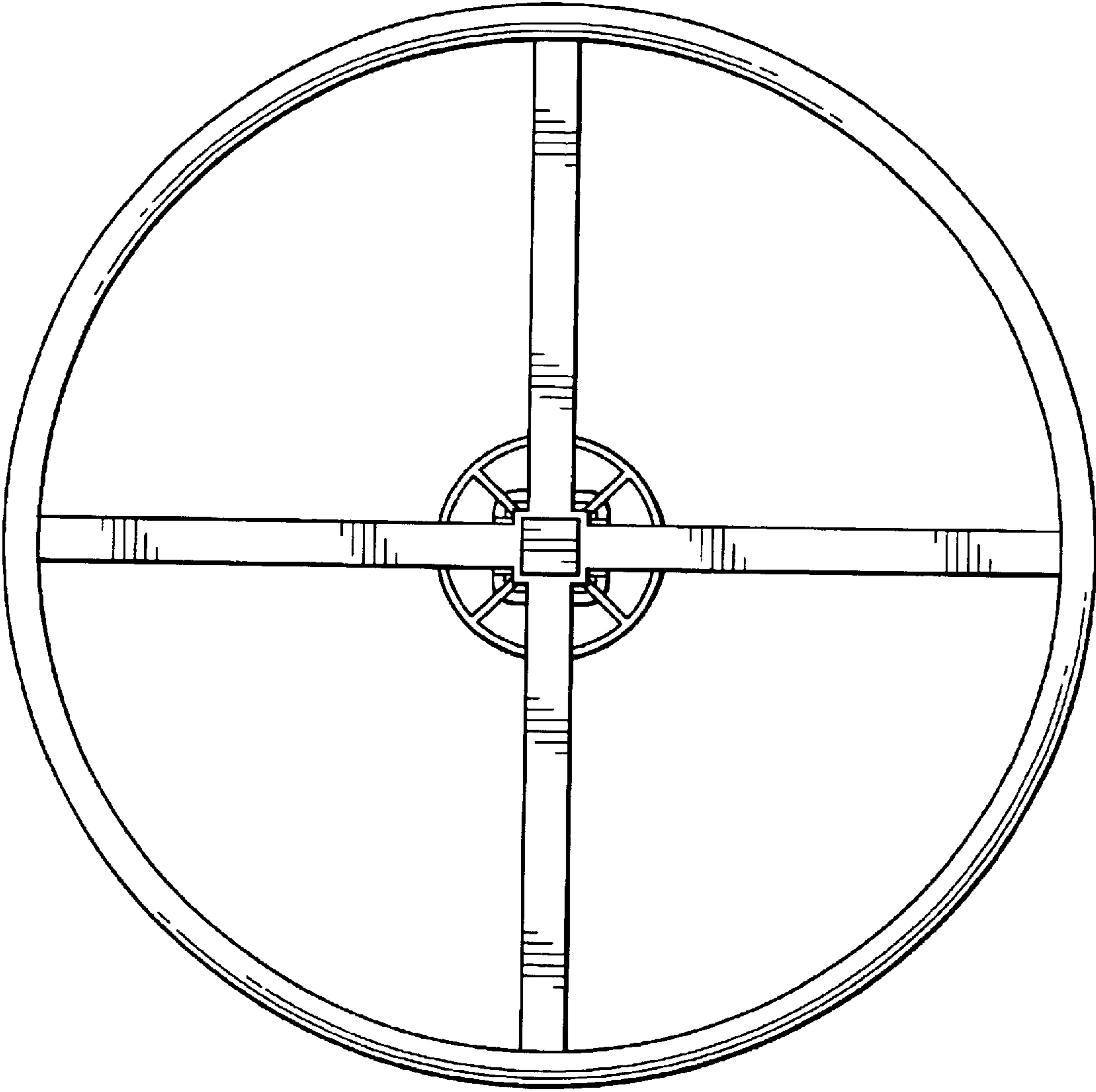


Fig.3

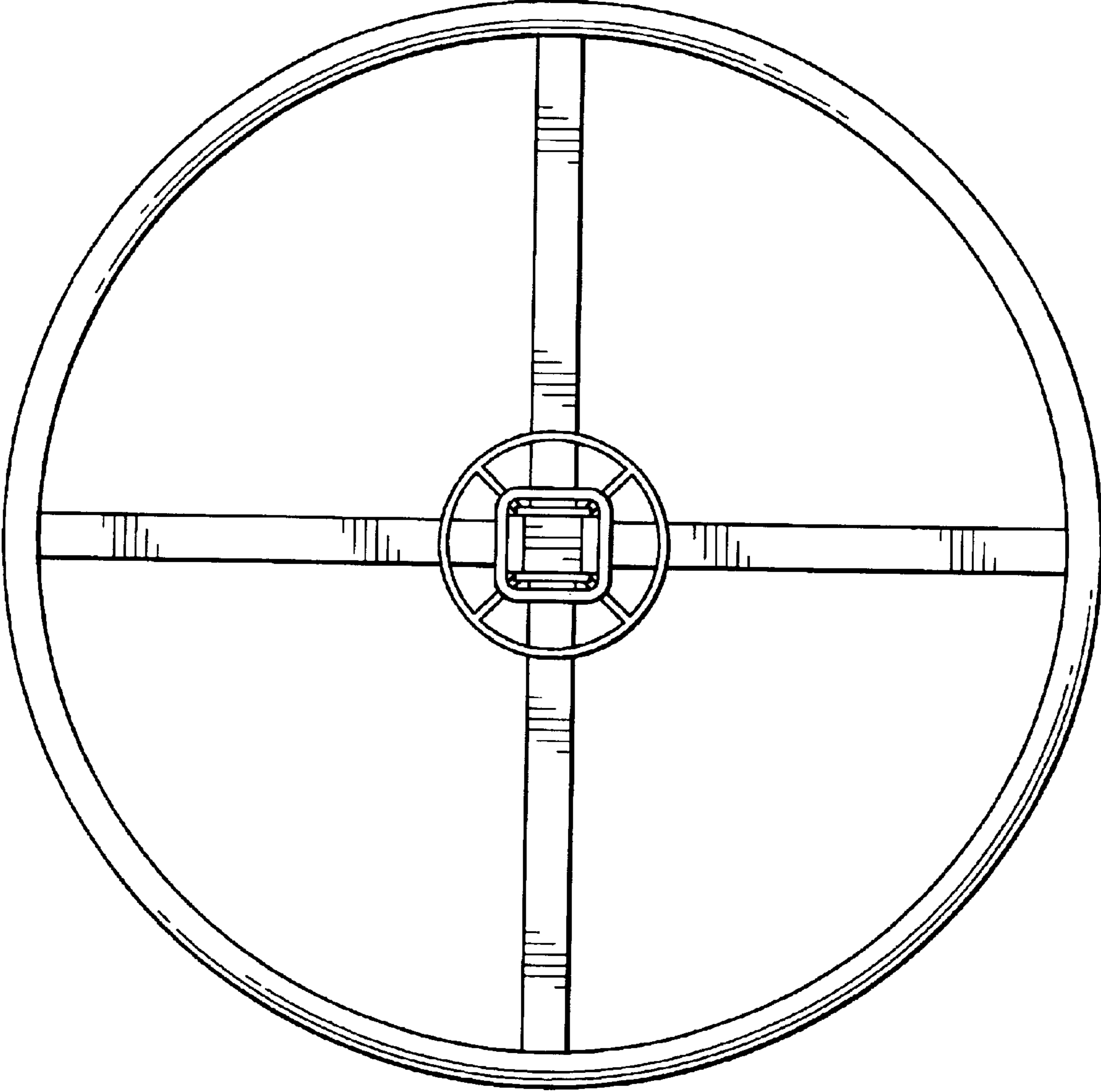
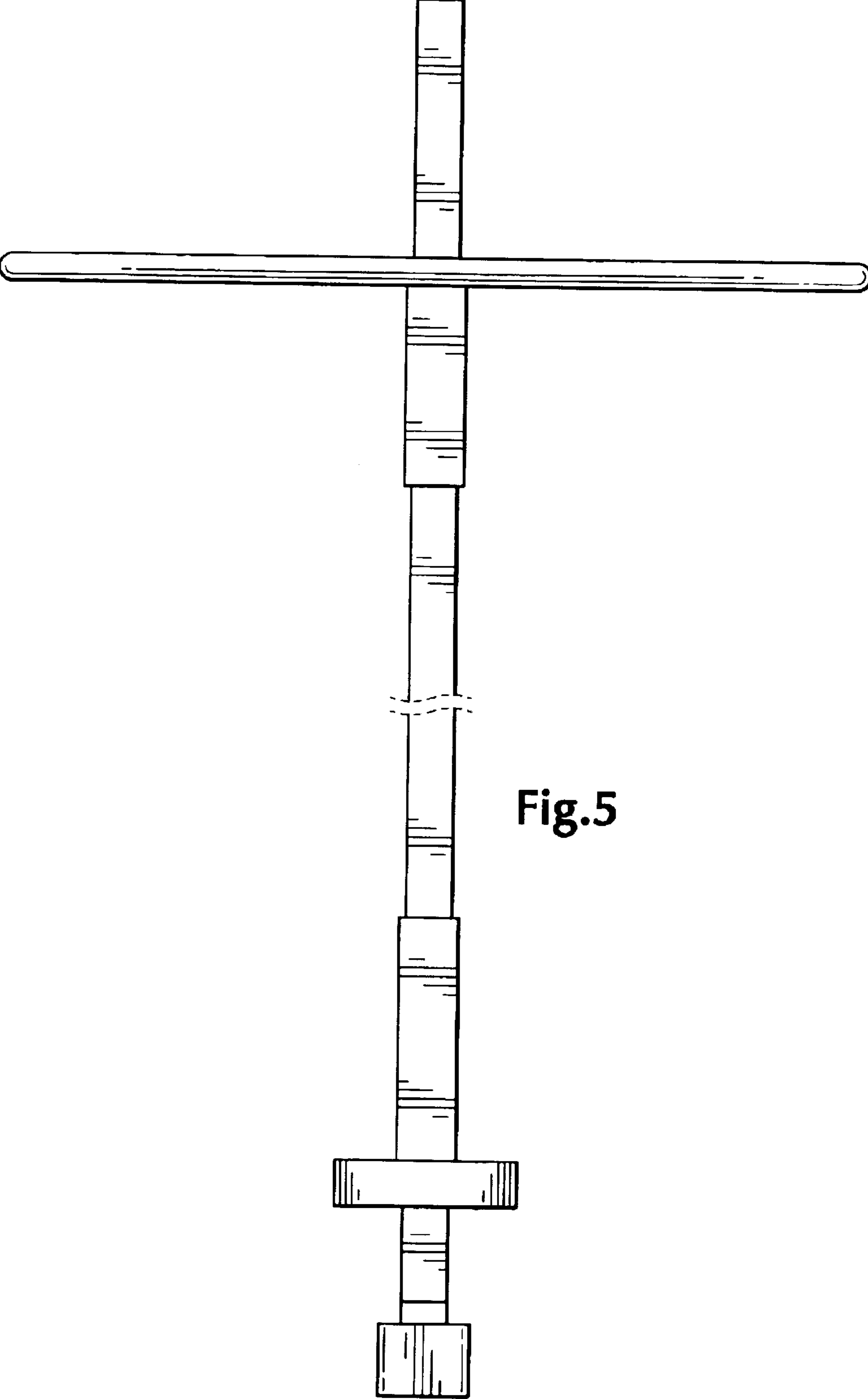


Fig.4



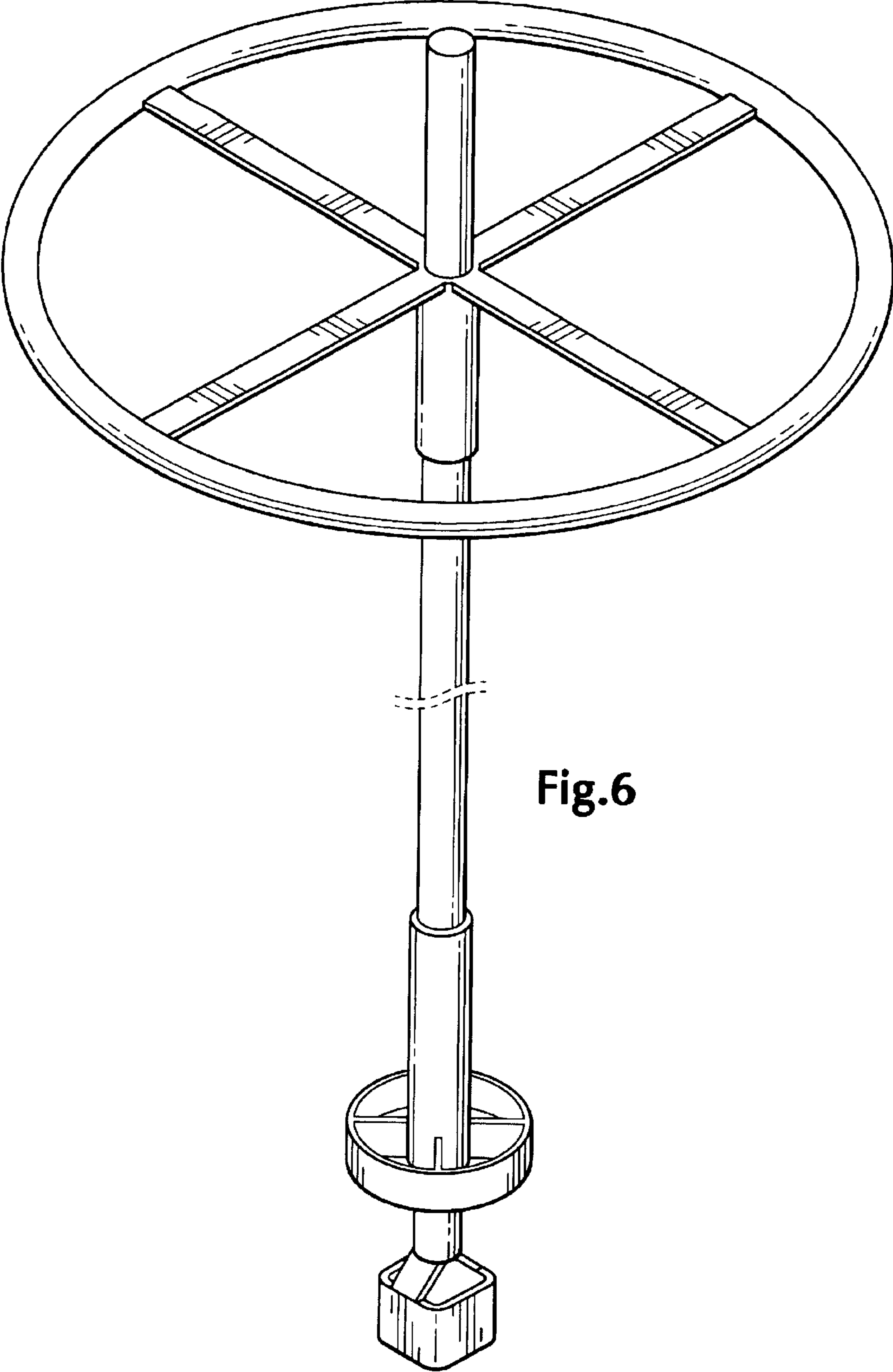


Fig.6

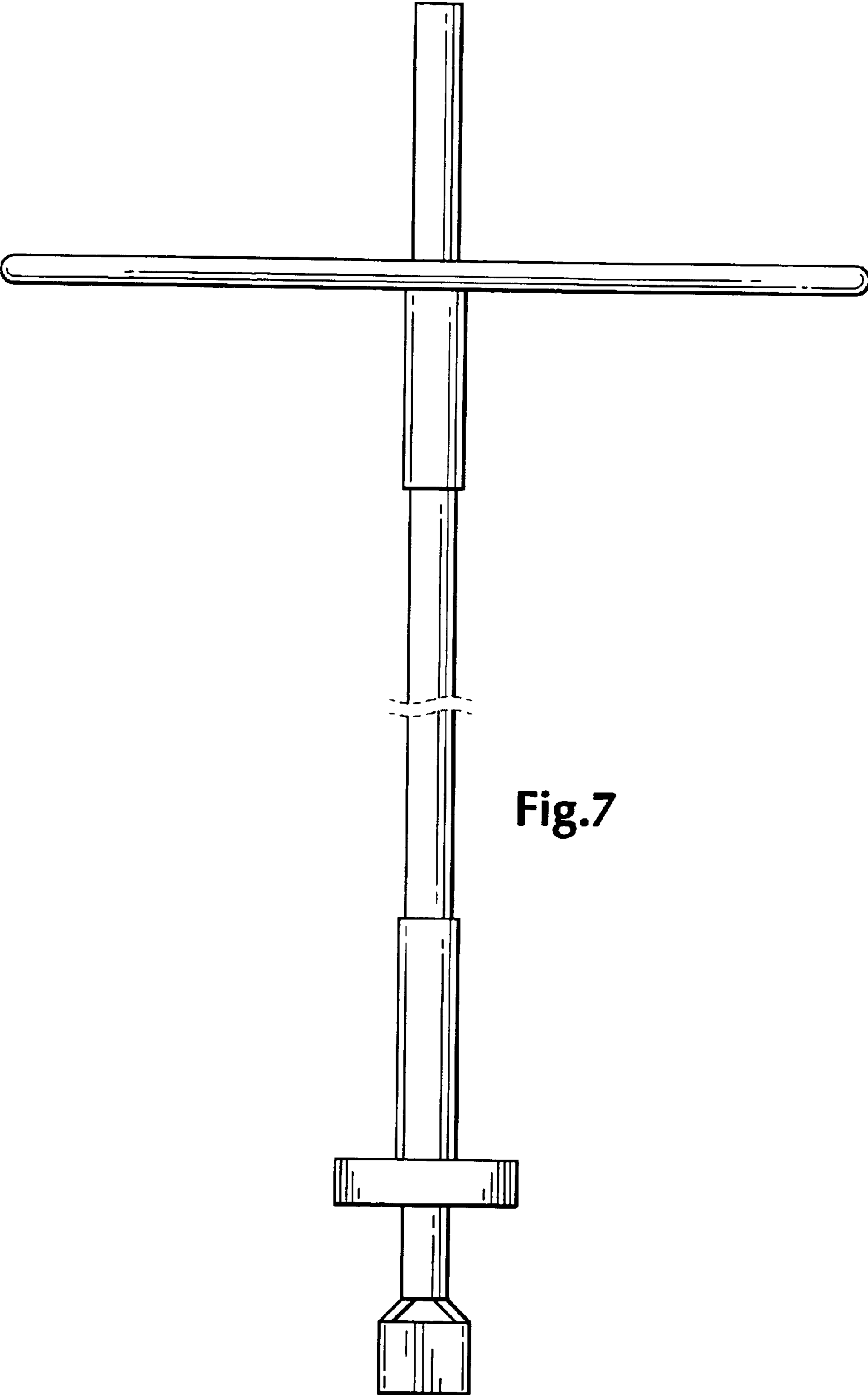


Fig.7

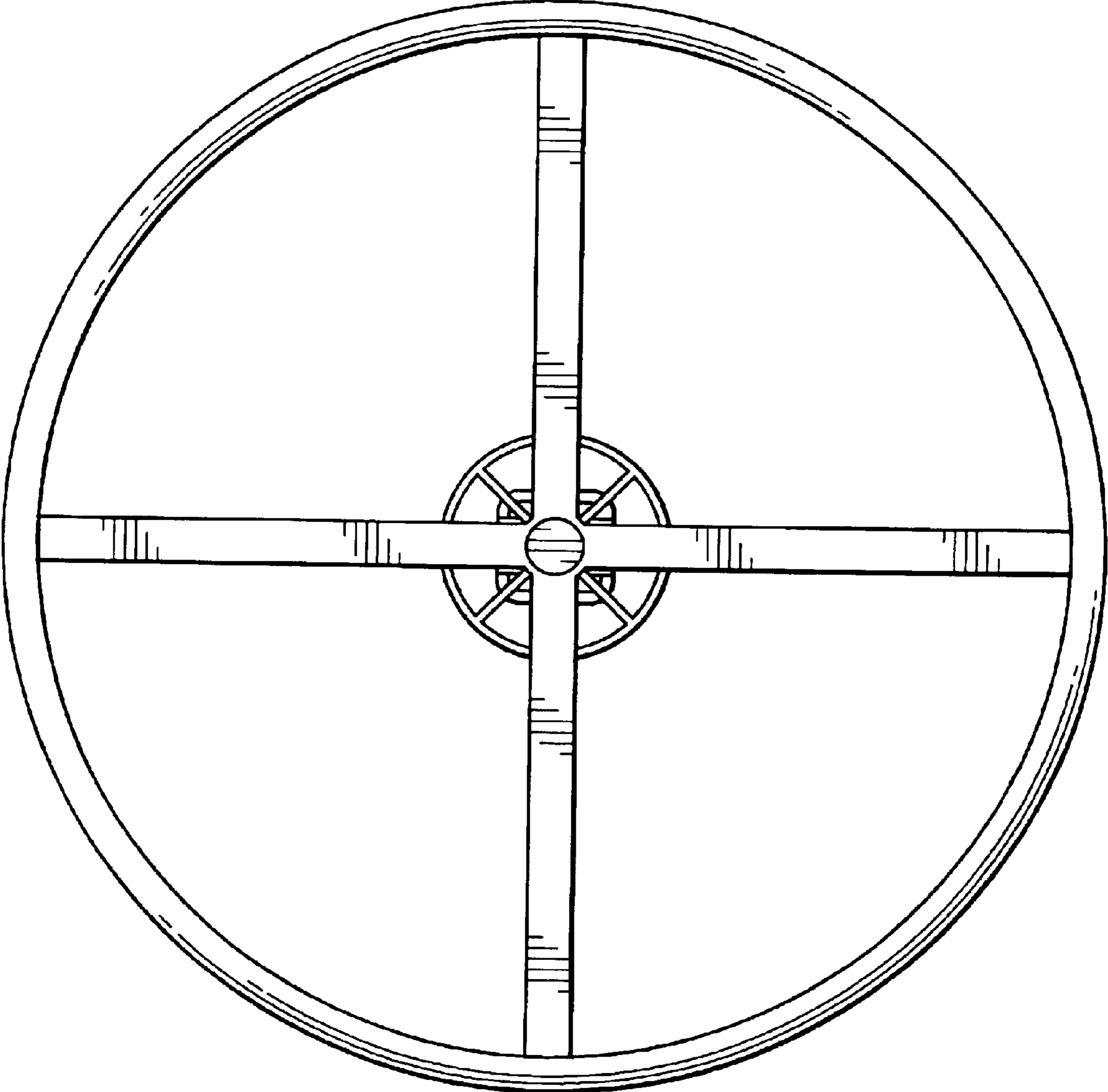


Fig.8

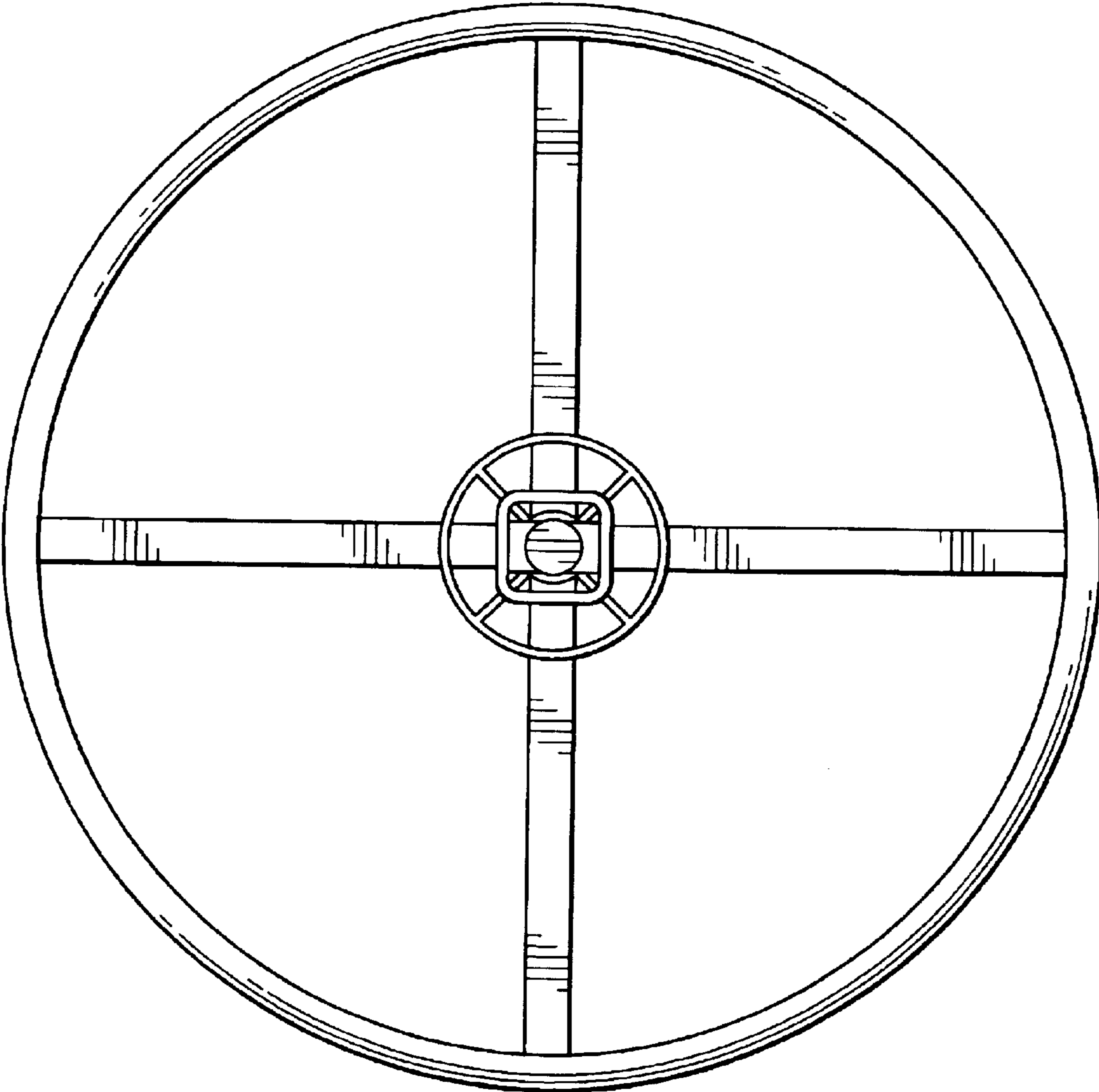


Fig.9

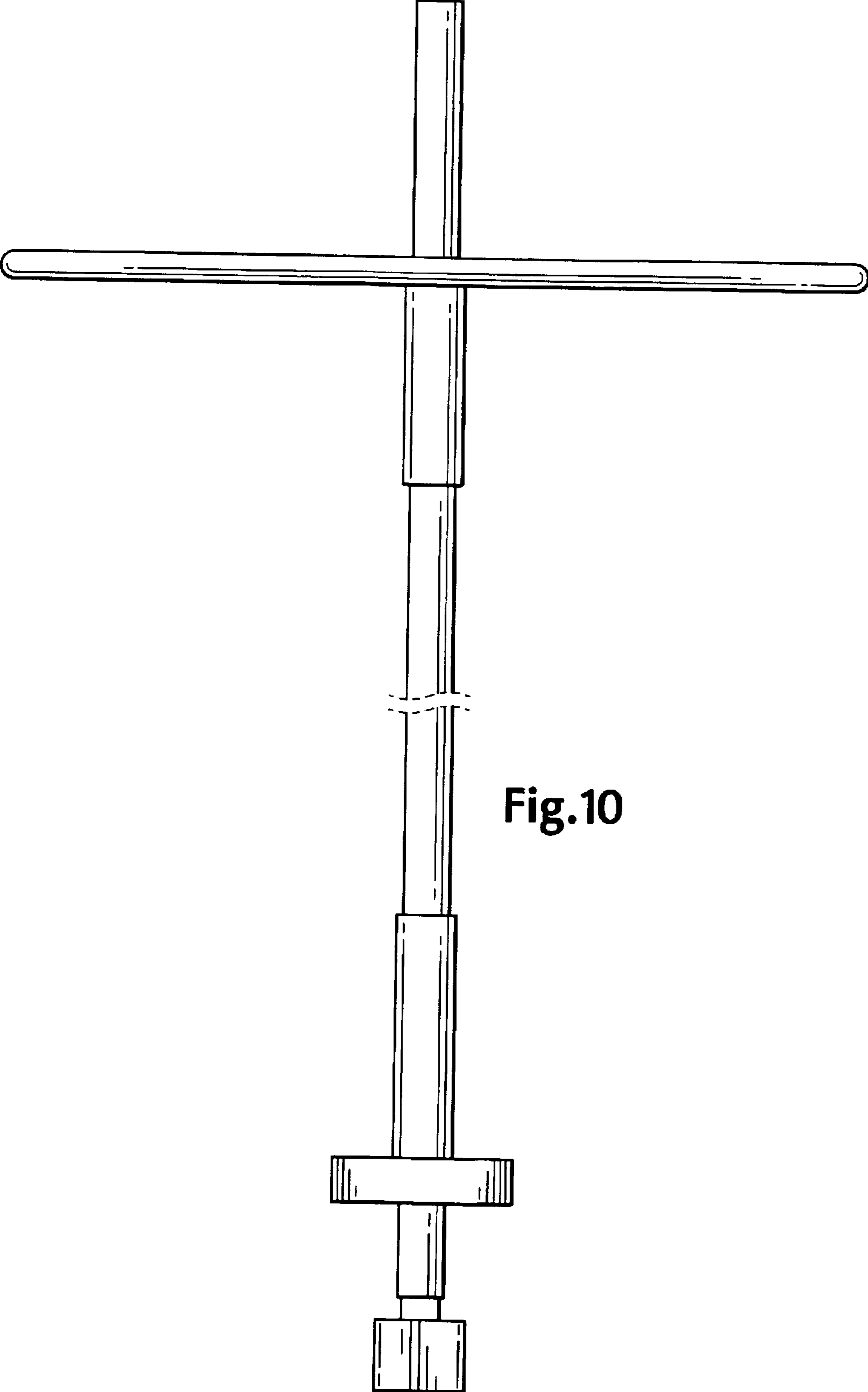


Fig.10