



US00D515366S

(12) **United States Design Patent**
Jackson et al.

(10) **Patent No.:** **US D515,366 S**

(45) **Date of Patent:** **** Feb. 21, 2006**

(54) **BEVERAGE COASTER**

(75) Inventors: **Trevor L. Jackson**, Kirtland, OH (US);
Patrick J. Coyne, Shaker Heights, OH (US)

(73) Assignee: **The Blue Swing LLC**, Chicago, IL (US)

(**) Term: **14 Years**

(21) Appl. No.: **29/220,215**

(22) Filed: **Dec. 28, 2004**

(51) **LOC (8) Cl.** **07-06**

(52) **U.S. Cl.** **D7/625**

(58) **Field of Classification Search** D7/619.1-625,
D7/628; 215/392-398, 328, 337; 248/346.01,
248/346.11, 311.2; 211/74

See application file for complete search history.

(56) **References Cited**

U.S. PATENT DOCUMENTS

1,722,587 A * 7/1929 McDonnell 215/328
2,955,722 A * 10/1960 Autonious 215/393
D469,318 S * 1/2003 Lam D7/625

* cited by examiner

Primary Examiner—Terry A. Wallace

(74) *Attorney, Agent, or Firm*—Wallenstein Wagner & Rockey, Ltd.

(57) **CLAIM**

We claim the ornamental design for a beverage coaster, as shown and described.

DESCRIPTION

FIG. 1 is a perspective view of one embodiment of the coaster of the present invention;

FIG. 2 is a top view of the coaster of FIG. 1;

FIG. 3 is a front view of the coaster of FIG. 1, the rear view being identical thereto;

FIG. 4 is a left side view of the coaster of FIG. 1, the right side view being identical thereto;

FIG. 5 is a bottom view of the coaster of FIG. 1;

FIG. 6 is a cross-section view taken along line 6—6 of FIG. 2, provided for illustrative purposes to show contours of the claimed external surface and otherwise forms no part of the claimed design;

FIG. 7 is a perspective view of an alternative embodiment of the coaster of the present invention; and,

FIG. 8 is a cross-section view of the coaster of FIG. 7, provided for illustrative purposes to show contours of the claimed external surface and otherwise forms no part of the claimed design.

Features shown in broken lines in the drawings are for illustrative purposes only and form no part of the claimed design.

1 Claim, 3 Drawing Sheets

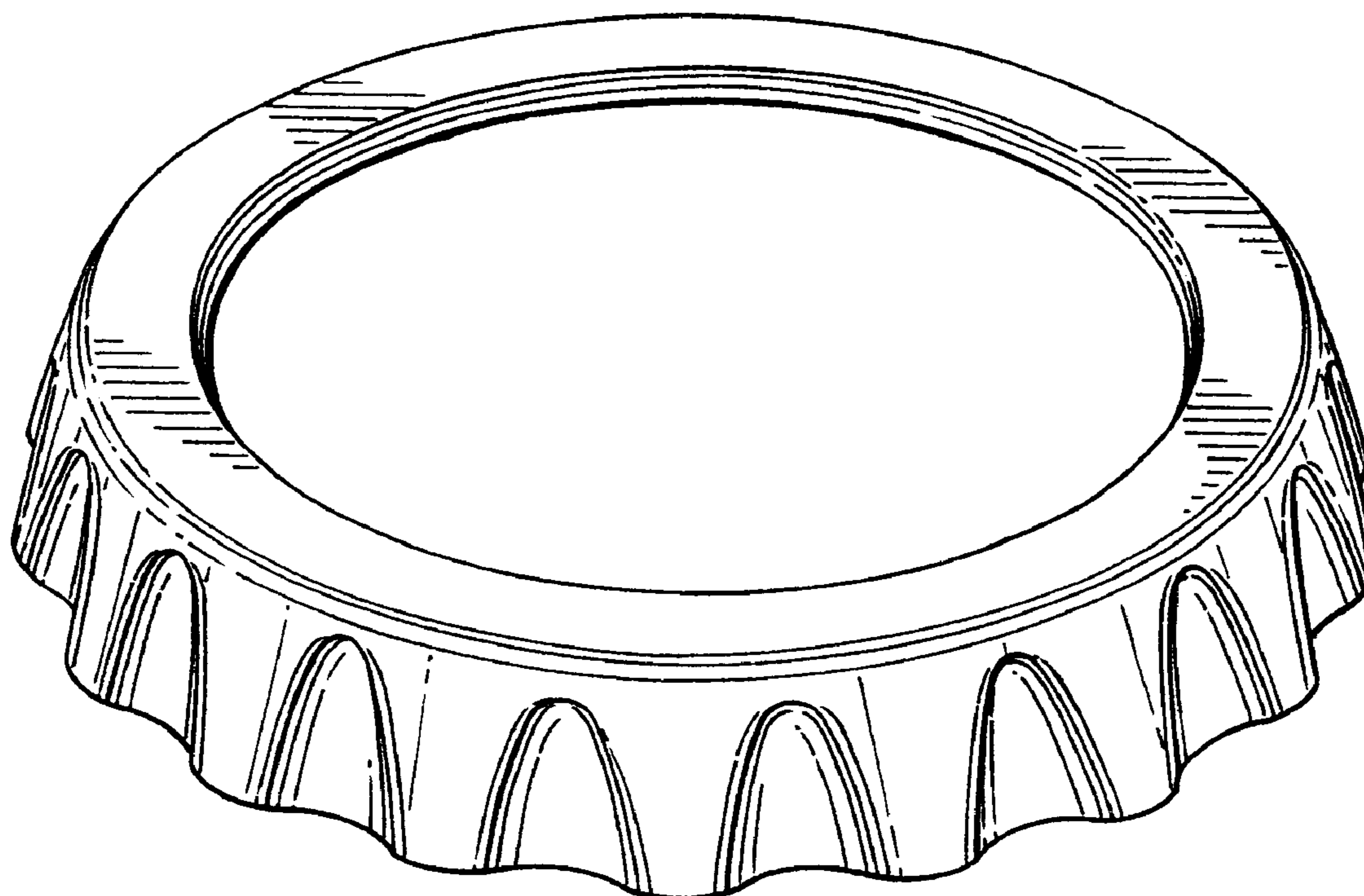


FIG. 1

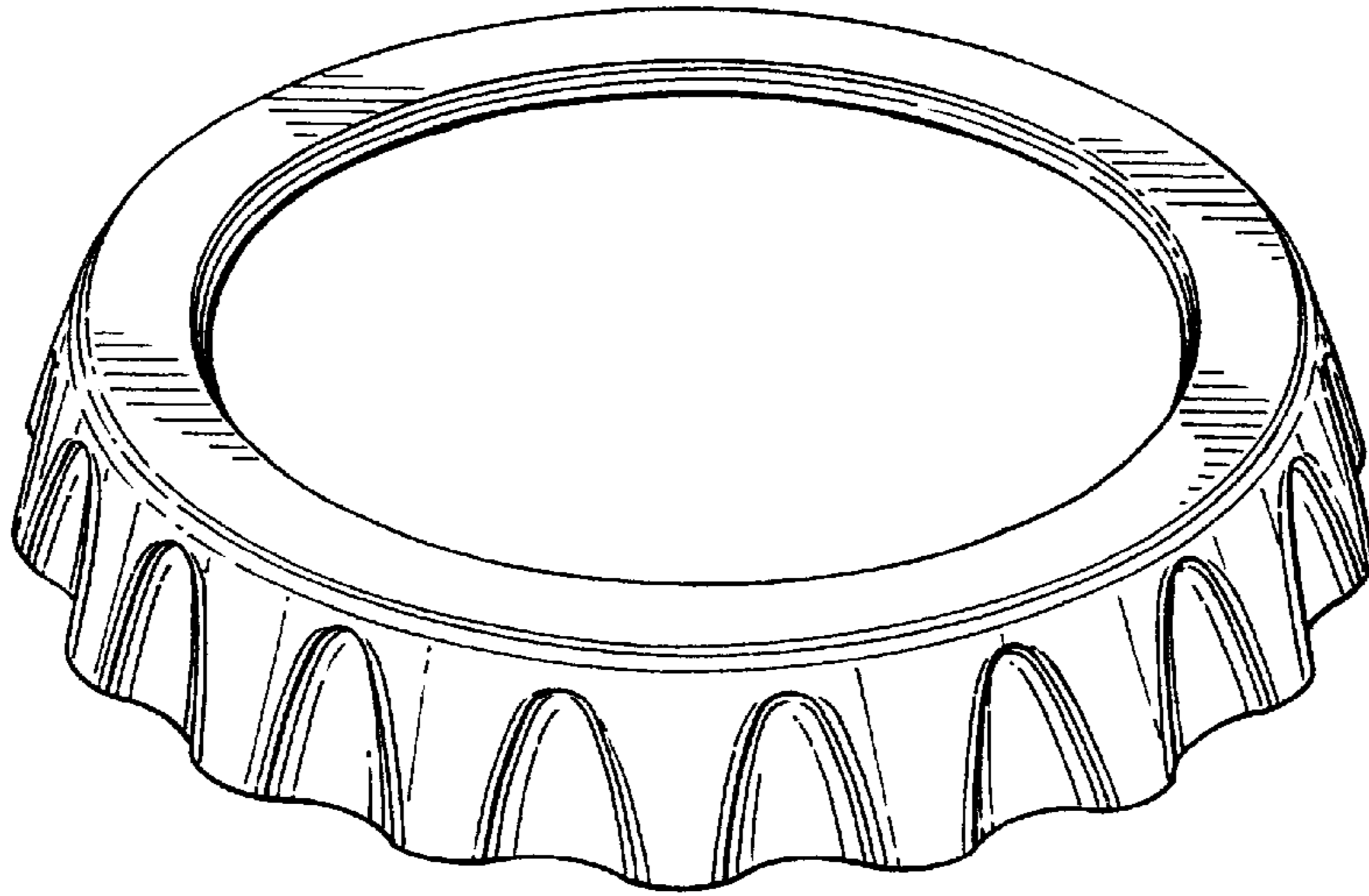


FIG. 2

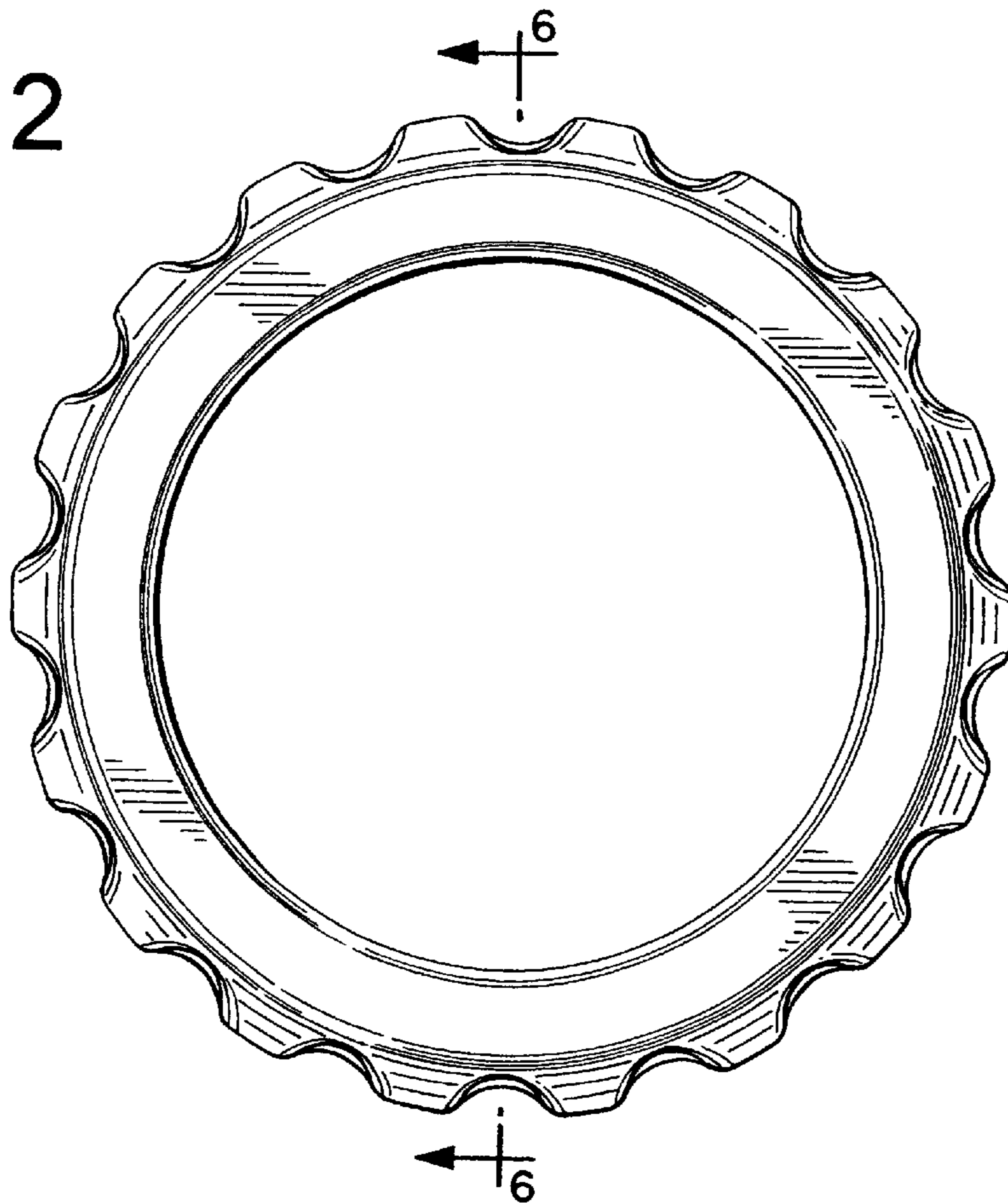


FIG. 3

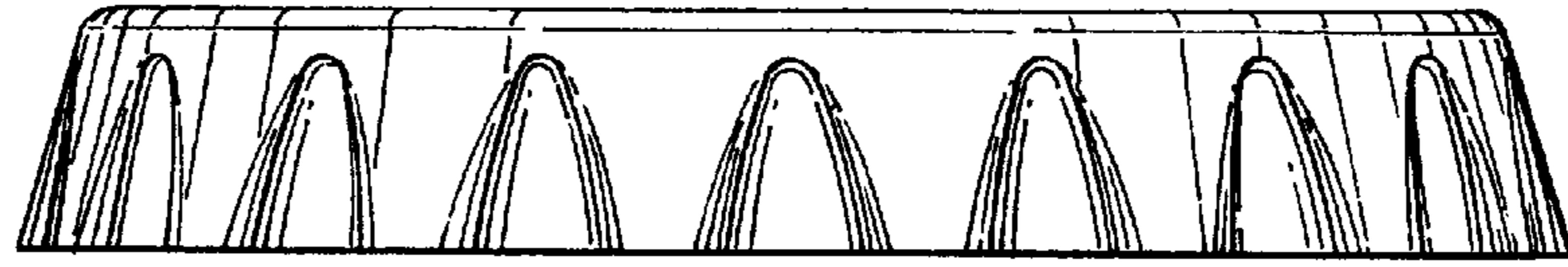


FIG. 4

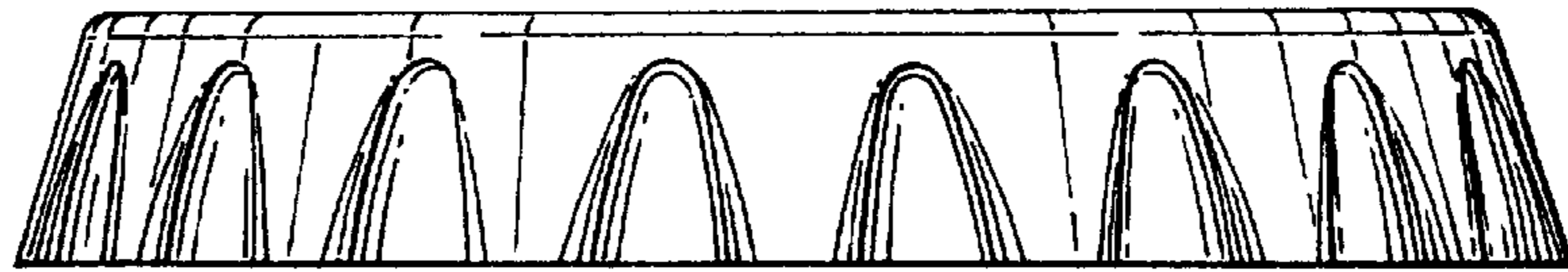


FIG. 5

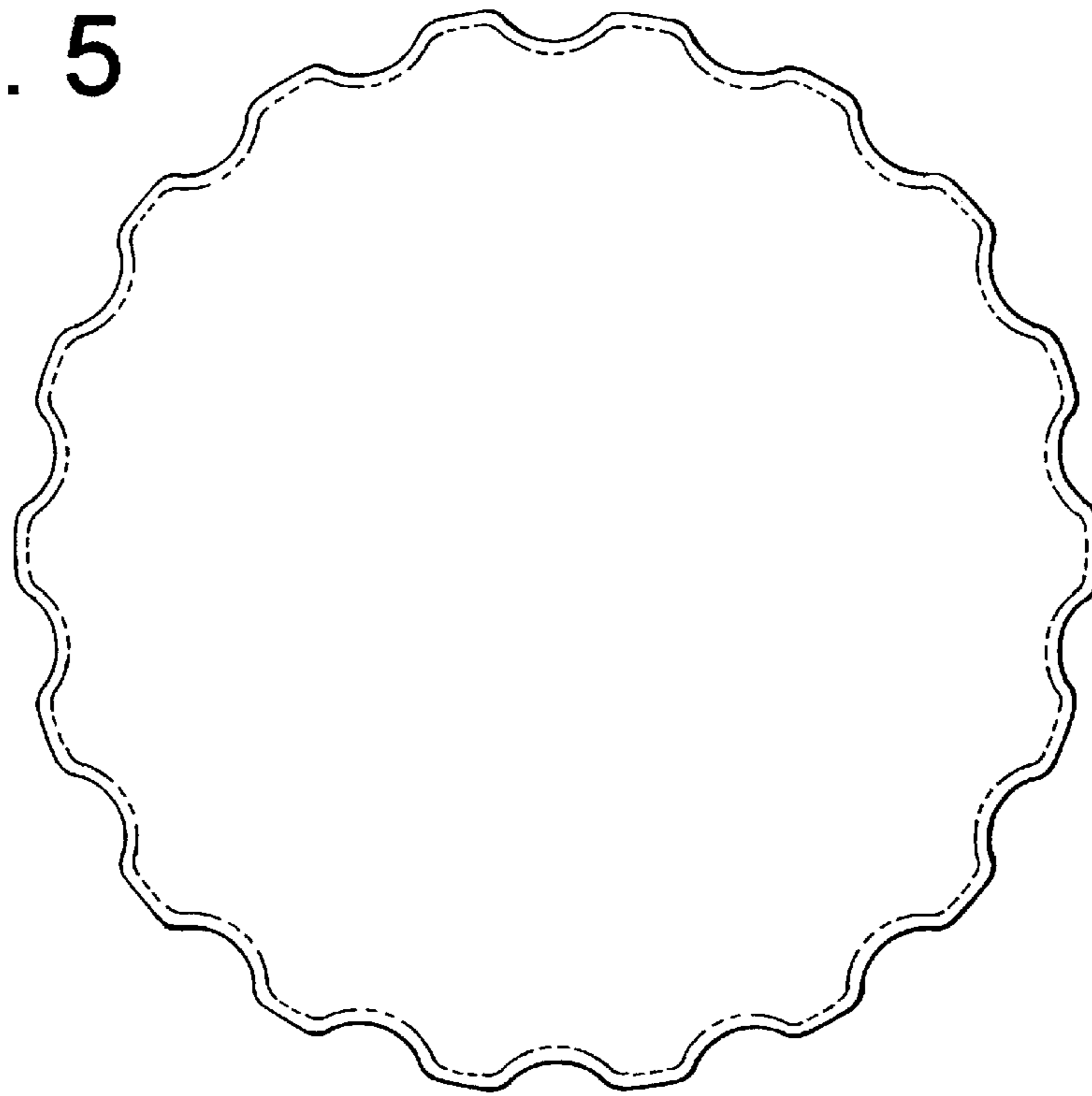


FIG. 6

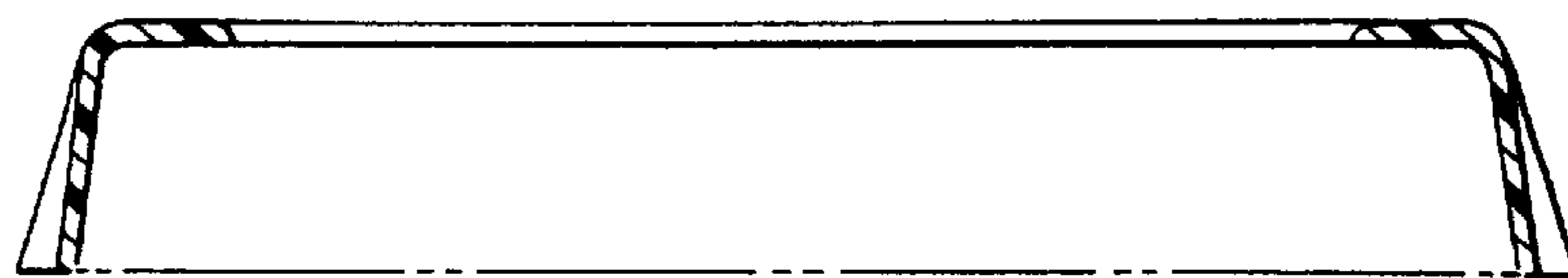


FIG. 7

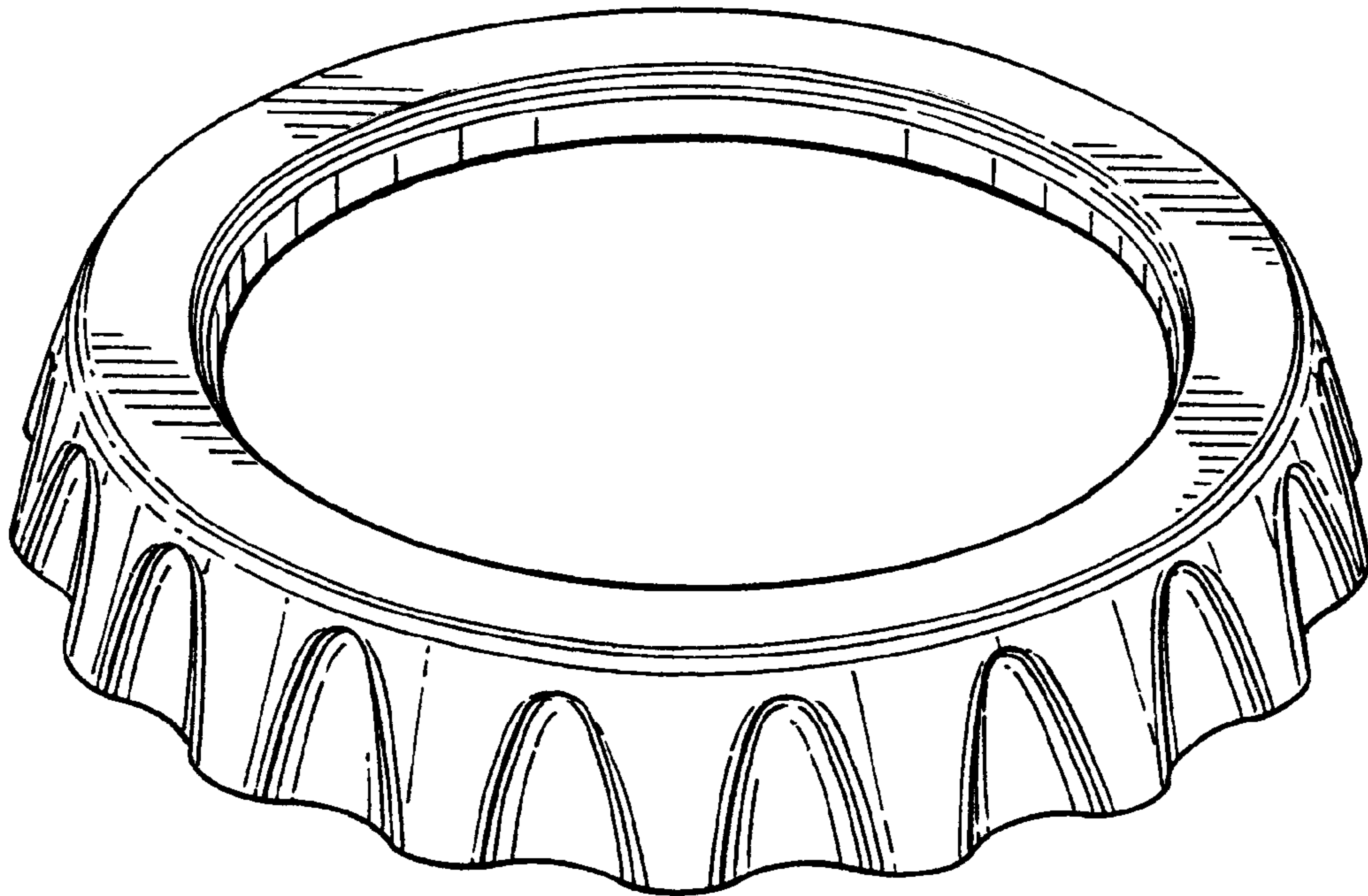


FIG. 8

