

US00D515364S

(12) **United States Design Patent**
King

(10) **Patent No.: US D515,364 S**

(45) **Date of Patent: ** Feb. 21, 2006**

(54) **MUSICIAN'S MICROPHONE STAND-MOUNTED BEVERAGE CONTAINER WITH HANDS-FREE ACCESS**

D470,365 S 2/2003 Kautzky et al.
D470,726 S 2/2003 Kautzky et al.
D476,193 S * 6/2003 Janky D7/510

(76) Inventor: **Christopher L. King**, 2006 King Ct.,
Fultondale, AL (US) 35068

* cited by examiner

Primary Examiner—Terry A. Wallace

(**) Term: **14 Years**

(74) *Attorney, Agent, or Firm*—Donald R. Schoonover

(21) Appl. No.: **29/212,895**

(57) **CLAIM**

(22) Filed: **Sep. 10, 2004**

I claim the ornamental design for a musician's microphone stand-mounted beverage container with hands-free access, as shown and described.

(51) **LOC (8) Cl.** **07-06**

(52) **U.S. Cl.** **D7/620; D7/510**

(58) **Field of Classification Search** D7/619.1–625,
D7/509–511; D14/226, 229; D17/99; 248/309.1,
248/311.2; 211/74, 75; 215/12.1, 12.2, 382–400
See application file for complete search history.

DESCRIPTION

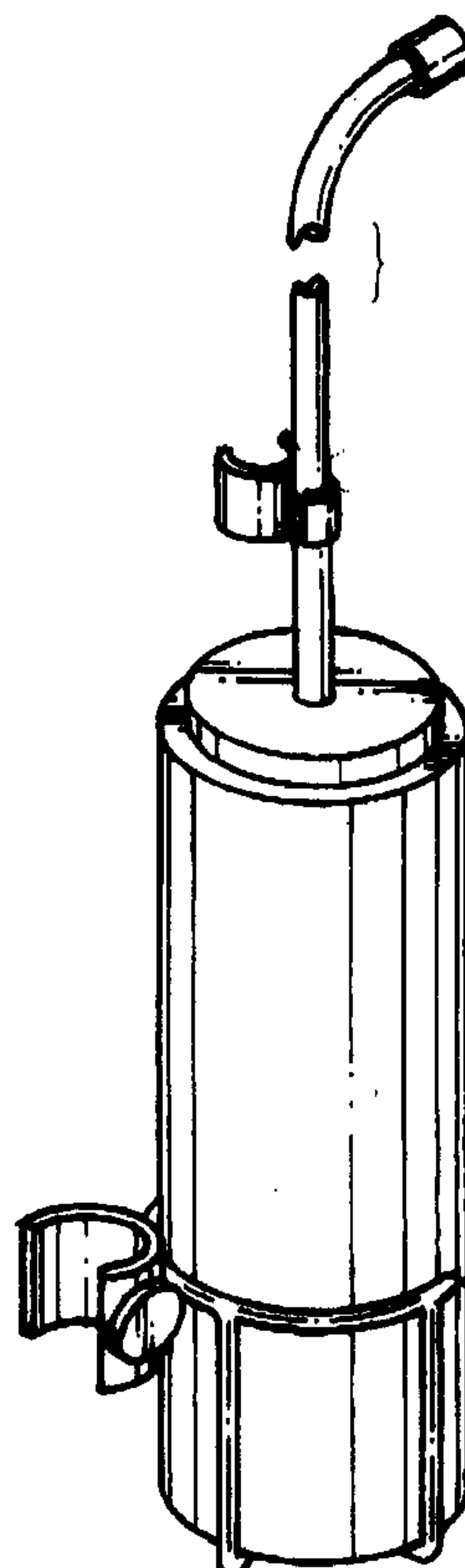
(56) **References Cited**

U.S. PATENT DOCUMENTS

D203,055 S	11/1965	Robinson	
5,135,189 A	8/1992	Ghazizadeh	
5,190,257 A	3/1993	Gradei et al.	
D337,162 S	7/1993	Rollins	
D353,840 S	* 12/1994	Dietterich et al. D7/620
5,545,315 A	* 8/1996	Lonneman 210/120
D375,796 S	11/1996	Beaver	
D395,790 S	* 7/1998	Gaines D7/510
D395,895 S	* 7/1998	Flinn D14/229
D413,798 S	* 9/1999	LaMarra D7/511

FIG. 1 is a perspective view of a musician's microphone stand-mounted beverage container with hands-free access showing my new design;
FIG. 2 is a front elevational view thereof;
FIG. 3 is a rear elevational view thereof;
FIG. 4 is a left side elevational view thereof;
FIG. 5 is a right side elevational view thereof;
FIG. 6 is a top plan view thereof;
FIG. 7 is a bottom plan view thereof; and,
FIG. 8 is a reduced perspective view showing the musician's microphone stand-mounted beverage container with hands-free access in use; the phantom lines depict environmental structure for illustrative purposes only and form no part of the claimed design.

1 Claim, 4 Drawing Sheets



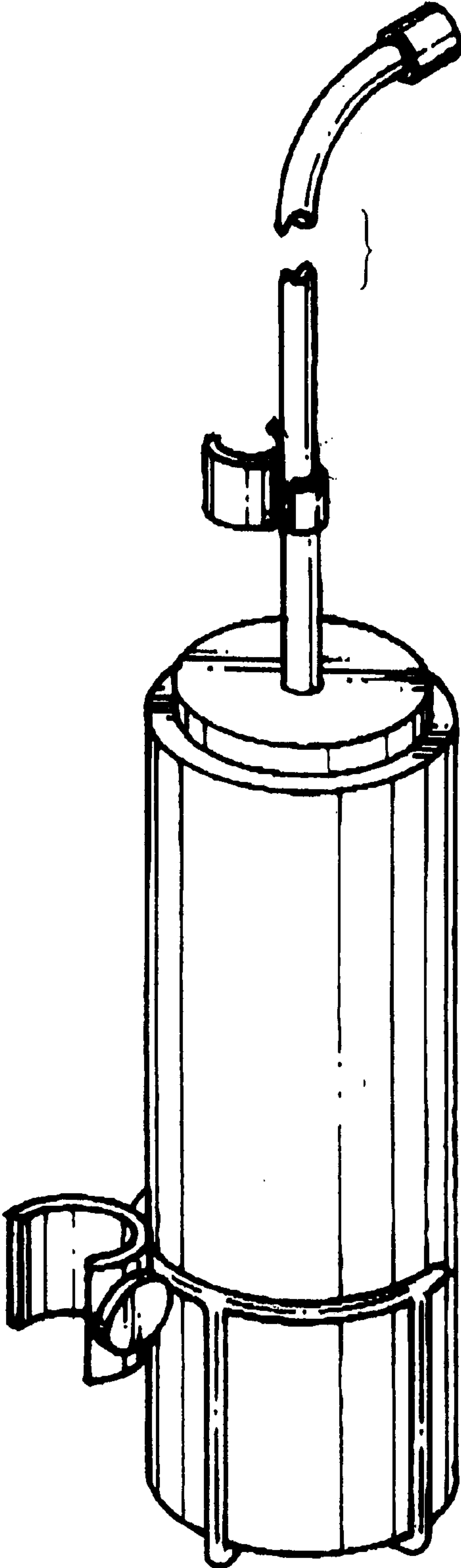


FIG. 1.

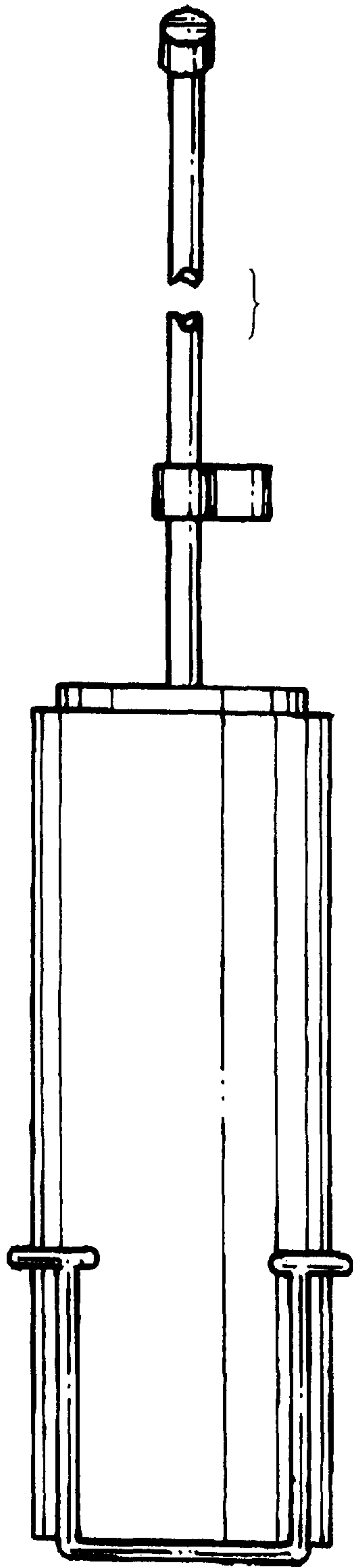


FIG. 2.

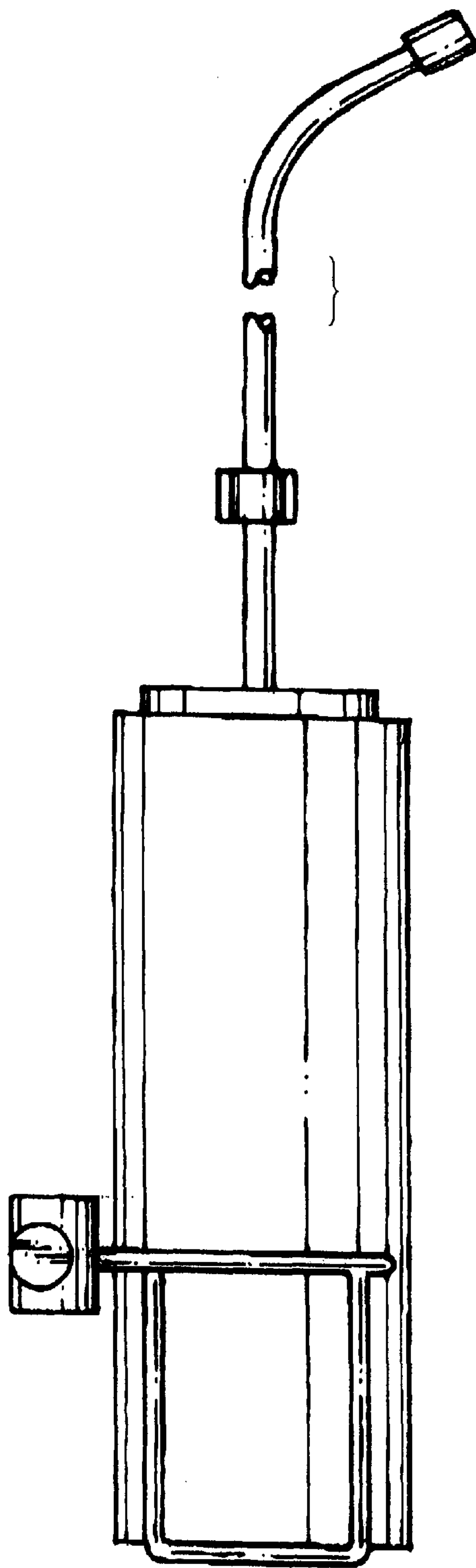


FIG. 5.

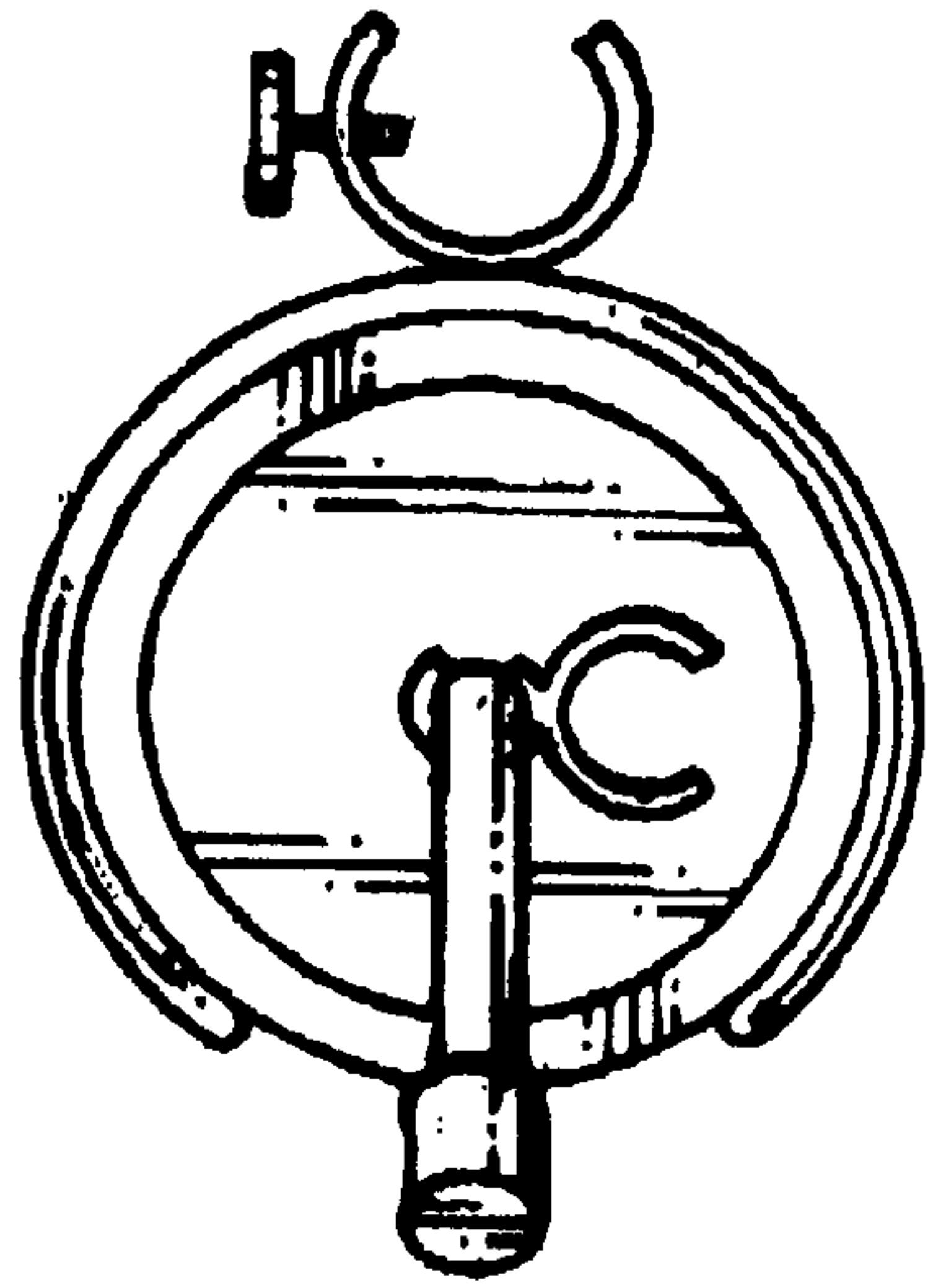


FIG. 6.

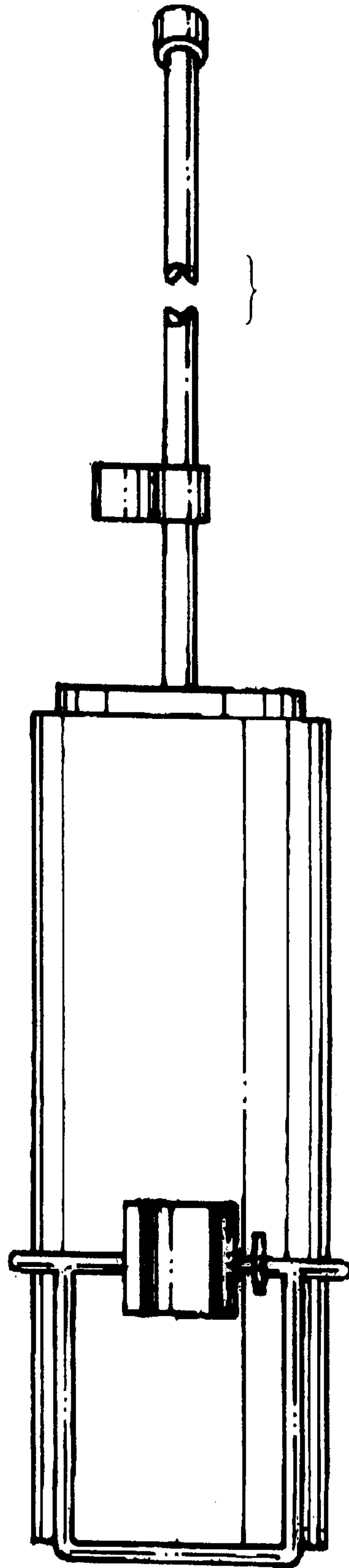


FIG. 3.

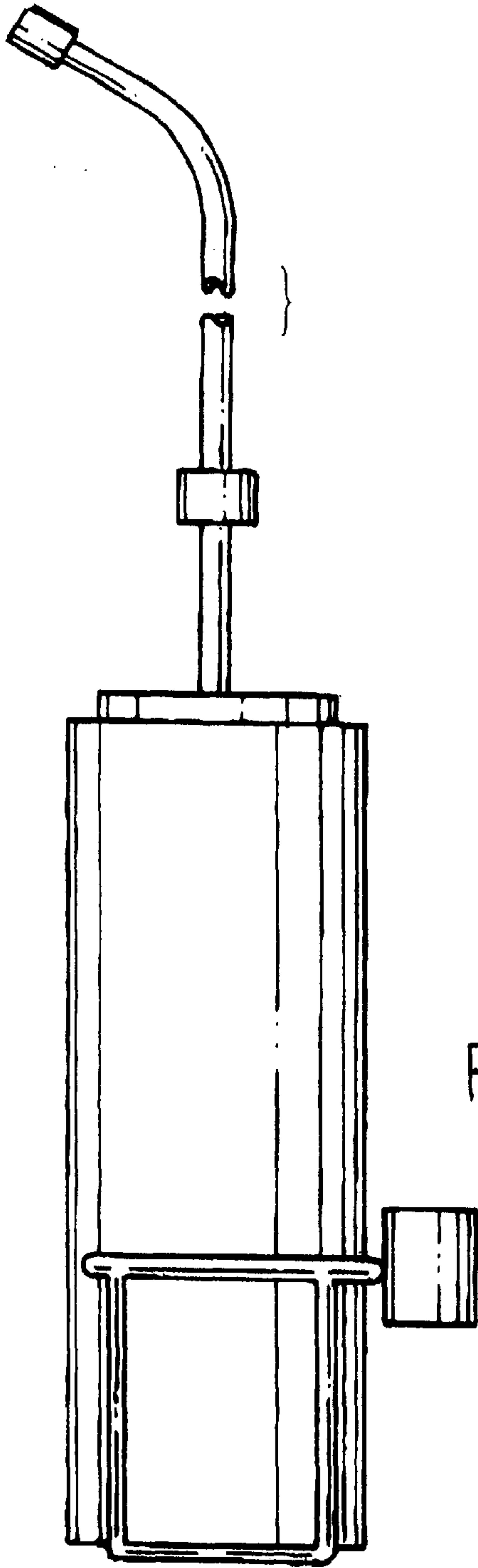


FIG. 4.

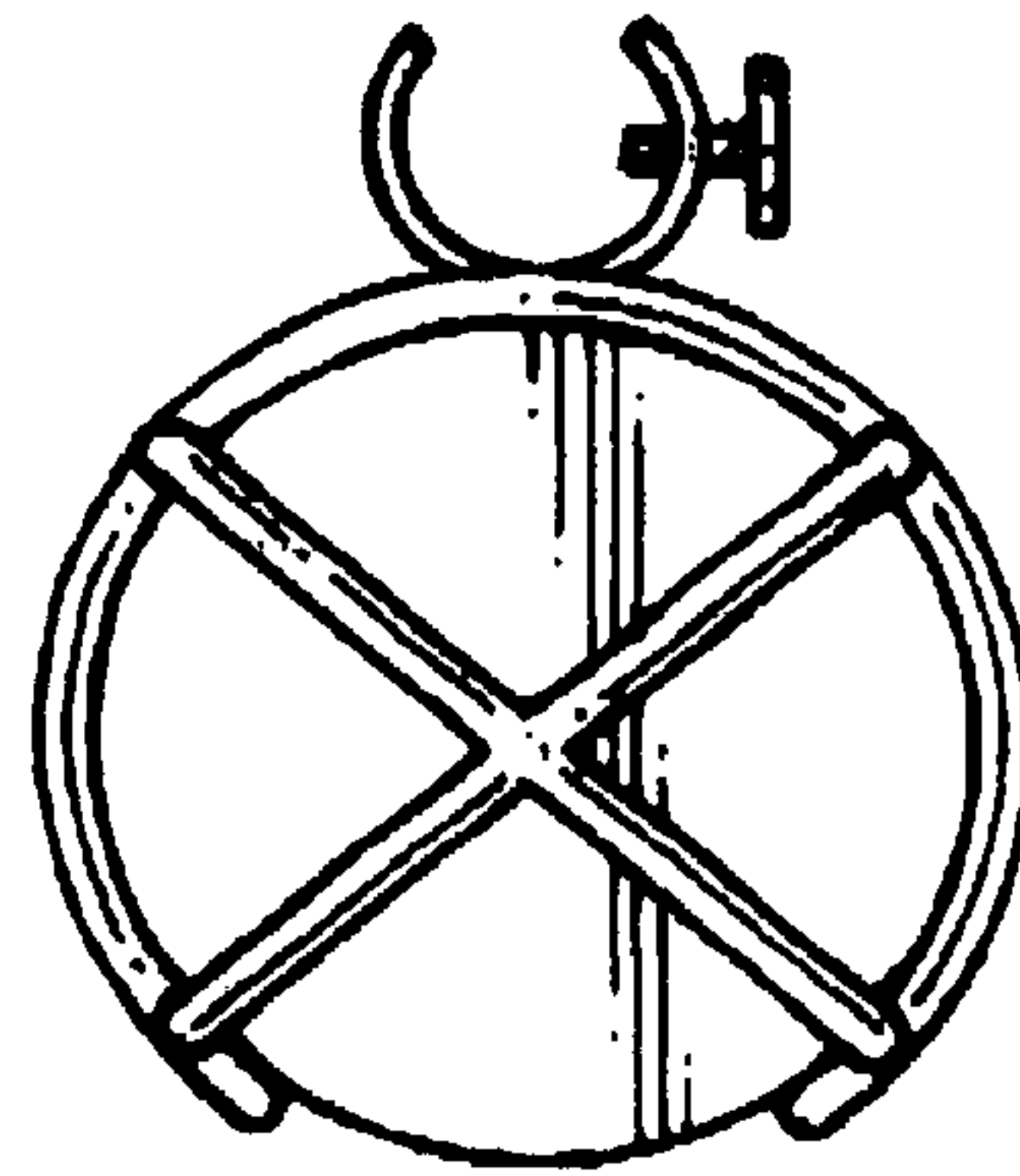


FIG. 7.

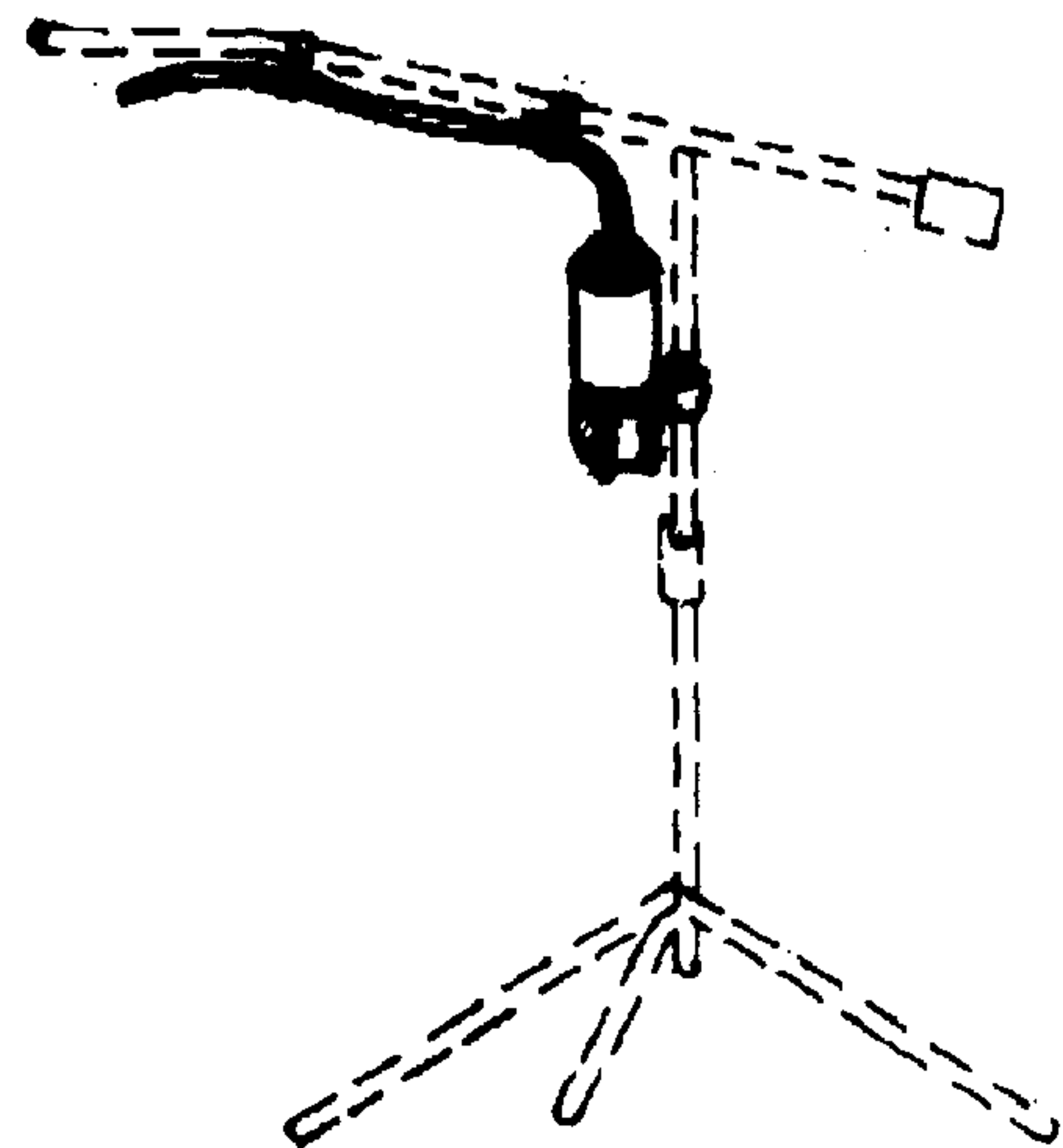


FIG. 8.