

US00D515354S

(12) **United States Design Patent**  
**Sano**

(10) **Patent No.:** **US D515,354 S**

(45) **Date of Patent:** **\*\* Feb. 21, 2006**

(54) **HANDLE FOR COOKING CONTAINER**

(75) **Inventor:** **Takahide Sano, Milan (IT)**

(73) **Assignee:** **TVS S.p.A., Urbino (IT)**

(\*\*) **Term:** **14 Years**

(21) **Appl. No.:** **29/204,715**

(22) **Filed:** **May 3, 2004**

(30) **Foreign Application Priority Data**

Jan. 27, 2004 (IT) ..... MI2004O0020

(51) **LOC (8) Cl.** ..... **07-06**

(52) **U.S. Cl.** ..... **D7/393**

(58) **Field of Classification Search** ..... D7/392,  
D7/393-394, 398, 360; D34/1, 7, 10; D9/415,  
D9/431; D3/306, 318; D8/306, 317, 319,  
D8/320; 222/465.1; 99/425; 220/912  
See application file for complete search history.

(56) **References Cited**

**U.S. PATENT DOCUMENTS**

D341,058 S \* 11/1993 Slany et al. .... D7/360  
D351,703 S \* 10/1994 Breen ..... D34/10  
D373,505 S \* 9/1996 Chan ..... D7/393

D394,157 S \* 5/1998 Dickinson et al. .... D3/318  
D396,380 S \* 7/1998 Lai et al. .... D7/392  
D422,450 S \* 4/2000 Conti ..... D7/394  
D445,298 S \* 7/2001 DeBord et al. .... D7/360  
D477,180 S \* 7/2003 Burton et al. .... D7/394  
D493,061 S \* 7/2004 Rae ..... D7/394  
D494,808 S \* 8/2004 Thomkins ..... D7/394  
D497,309 S \* 10/2004 Nordland et al. .... D9/415

\* cited by examiner

*Primary Examiner*—Stacia Cadmus

*Assistant Examiner*—Terrence Huang

(74) *Attorney, Agent, or Firm*—Bucknam and Archer

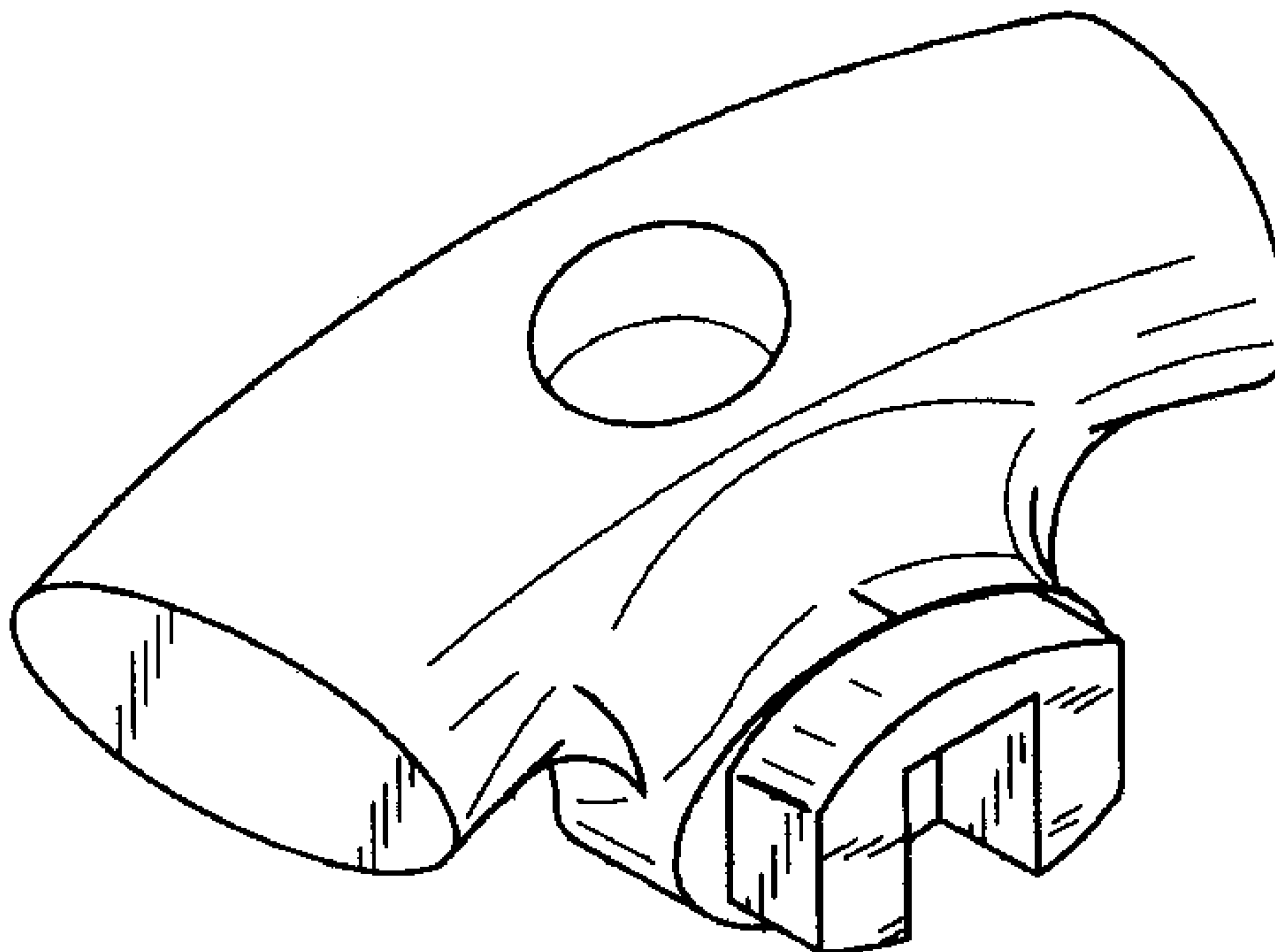
(57) **CLAIM**

The ornamental design for a handle for cooking container, as shown and described.

**DESCRIPTION**

FIG. 1 shows a front perspective view of my design for a handle for cooking container;  
FIG. 2 shows a top view thereof;  
FIG. 3 shows a right side view thereof;  
FIG. 4 shows a bottom view thereof;  
FIG. 5 shows a left side view thereof; and,  
FIG. 6 shows a front view thereof.

**1 Claim, 2 Drawing Sheets**



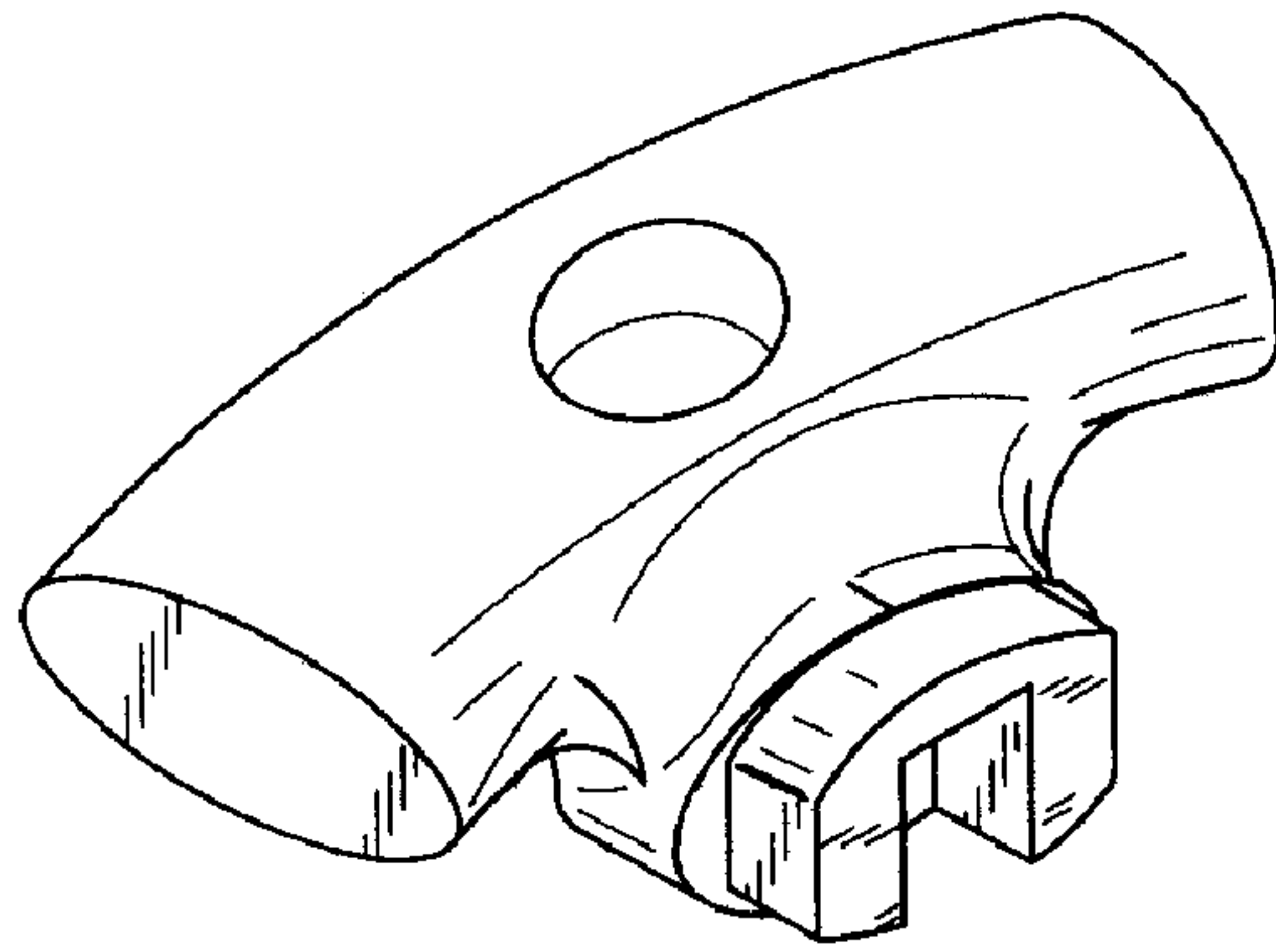


Fig.1

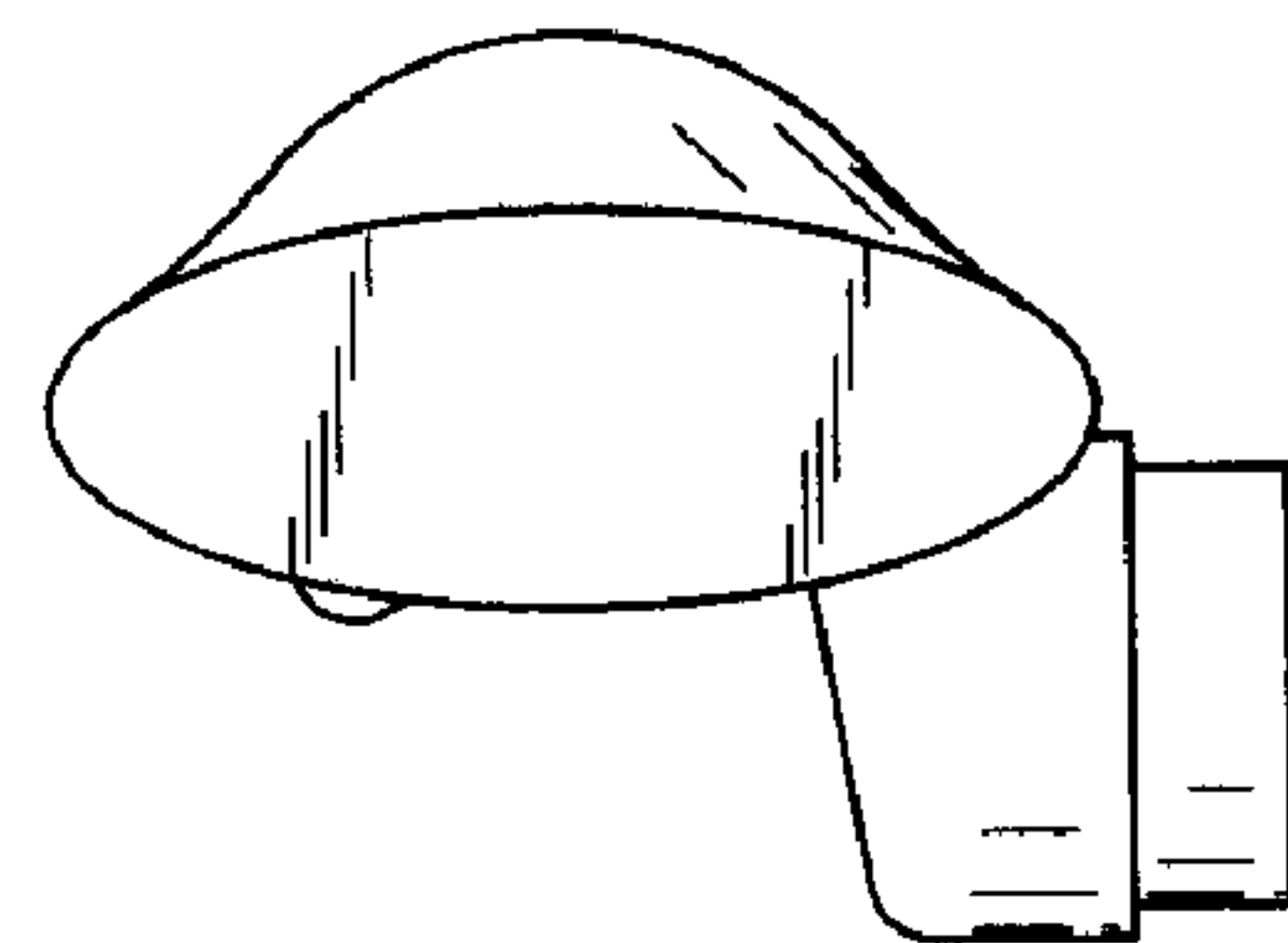


Fig.3

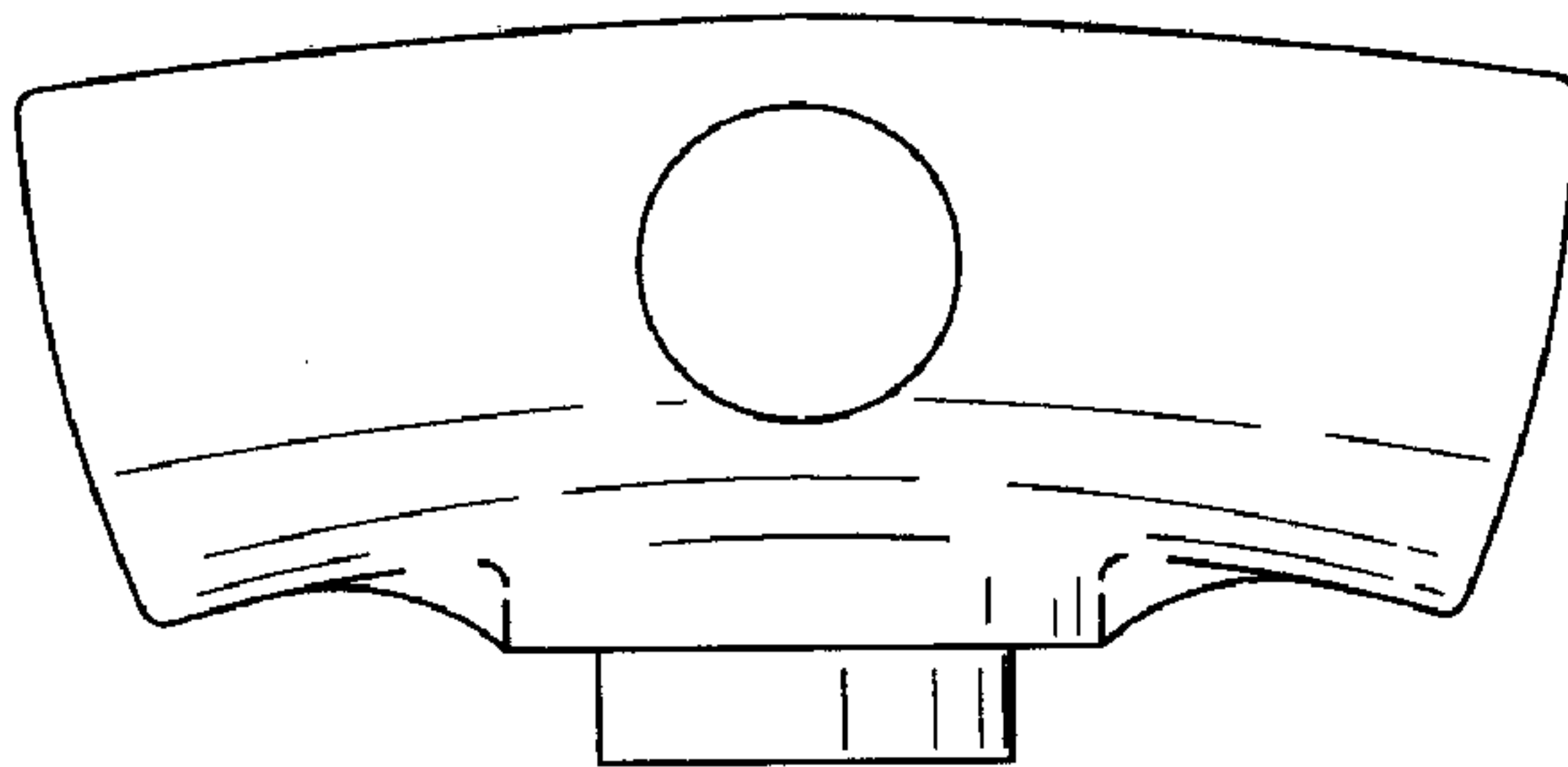


Fig.2

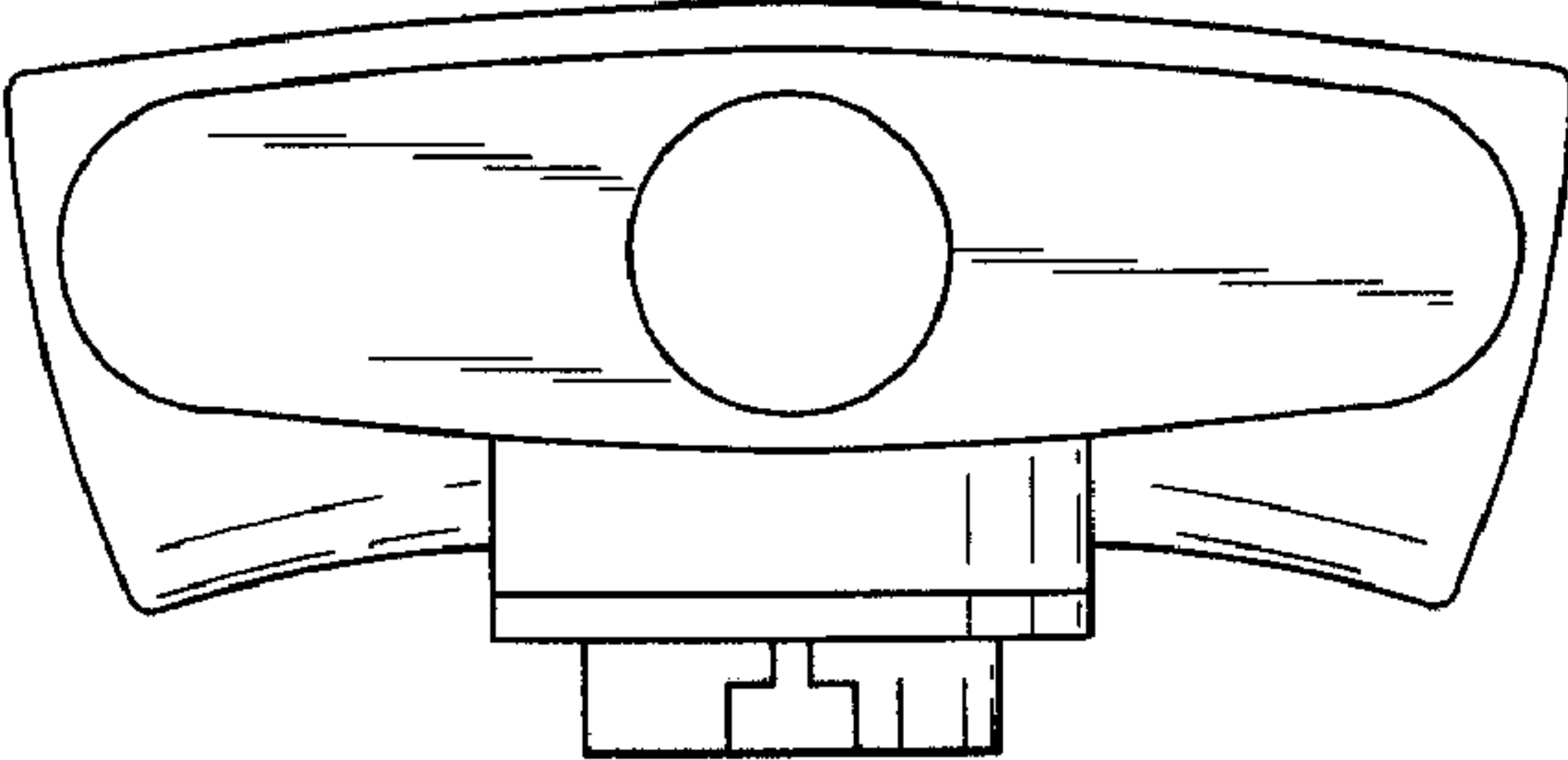


Fig.4

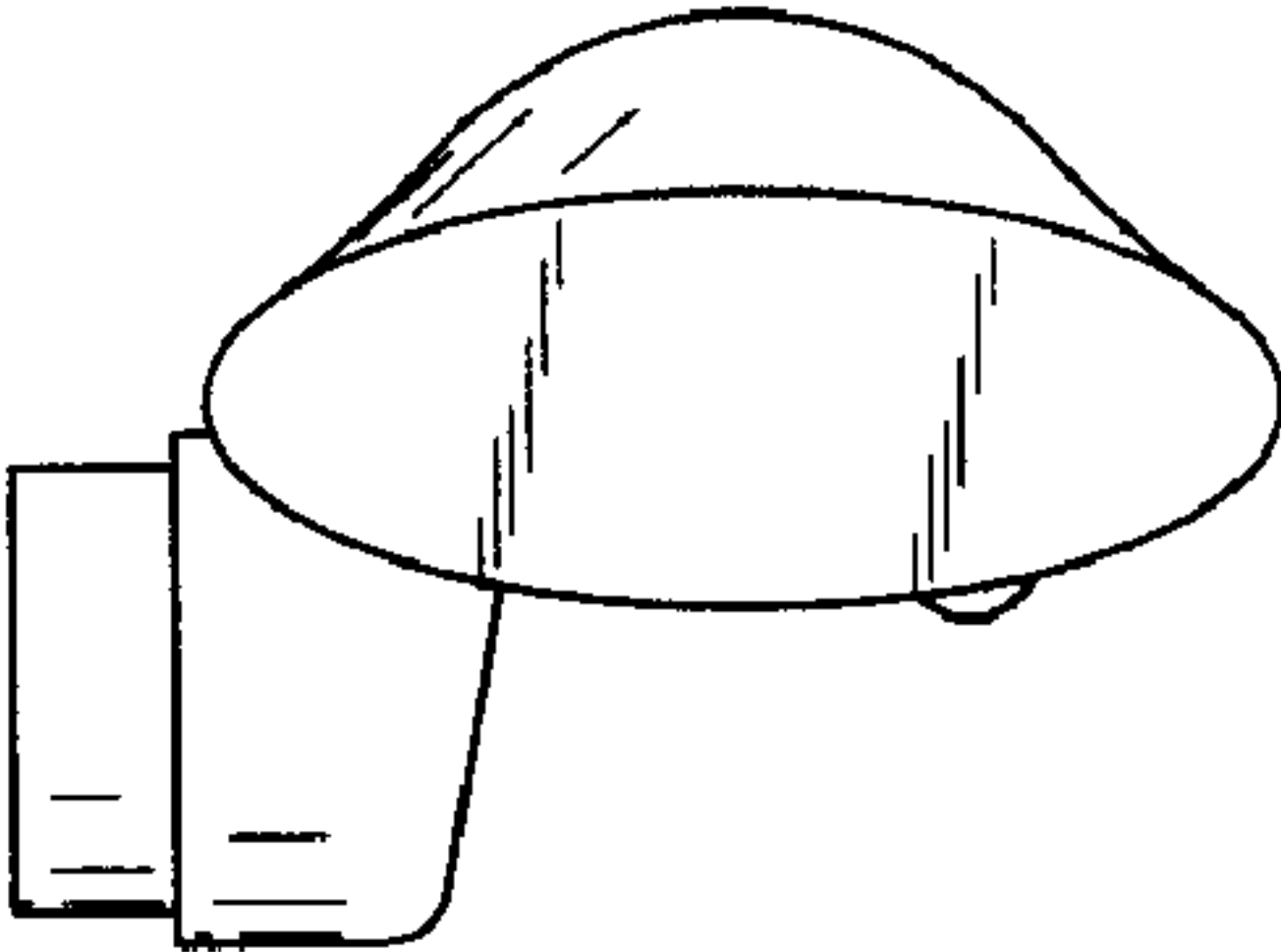


Fig.5

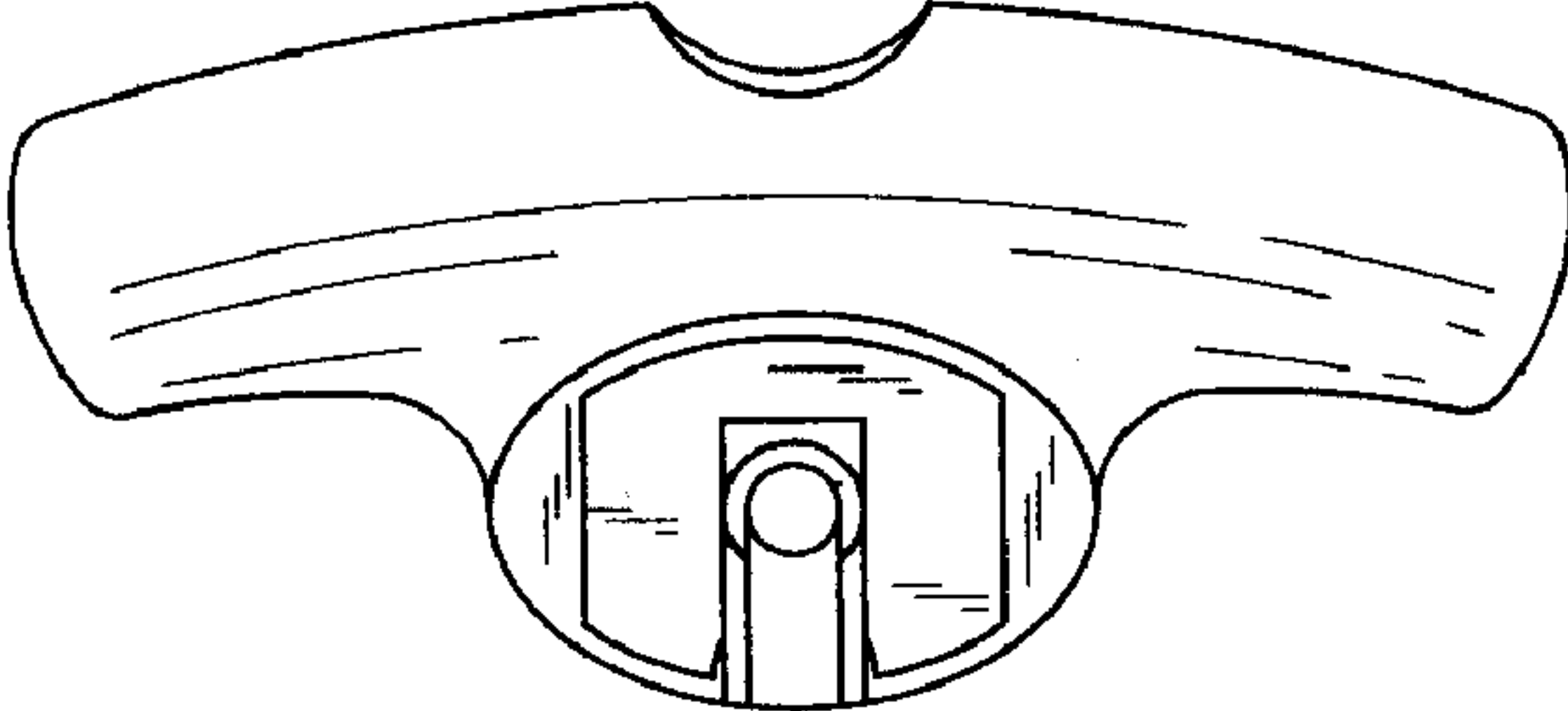


Fig.6