

US00D515351S

(12) **United States Design Patent**
Witmer

(10) **Patent No.:** **US D515,351 S**
(45) **Date of Patent:** **** Feb. 21, 2006**

(54) **PEANUT BUTTER STIRRING DEVICE**
(76) Inventor: **Robert N. Witmer**, 13301 Rehm Rd.,
Orrville, OH (US) 44667
(**) Term: **14 Years**
(21) Appl. No.: **29/213,438**
(22) Filed: **Sep. 17, 2004**
(51) **LOC (8) Cl.** **07-07**
(52) **U.S. Cl.** **D7/376; D7/392; D7/368**
(58) **Field of Classification Search** D7/668,
D7/376, 380, 392, 368; D9/436; 215/227,
215/364; 220/735; 366/129, 241, 243-249,
366/279, 281, 285, 308, 335-343, 605; 401/126,
401/128, 118, 119
See application file for complete search history.

4,197,018 A 4/1980 Groen
4,213,713 A 7/1980 Kaessner
4,264,215 A 4/1981 Nunlist
D271,750 S * 12/1983 Karosi D9/436
D302,793 S * 8/1989 Yamaguchi D9/436
5,251,979 A 10/1993 Larsen
5,403,091 A 4/1995 Thomas
D365,246 S * 12/1995 Staffin et al. D7/376
5,608,938 A 3/1997 Baschenis
5,938,325 A 8/1999 Edwards
6,247,837 B1 6/2001 Wardberg
D449,762 S * 10/2001 Jacober et al. D7/376
6,676,285 B2 1/2004 Qureshi

* cited by examiner

Primary Examiner—Terry A. Wallace
(74) *Attorney, Agent, or Firm*—Zollinger & Burleson Ltd.

(57) **CLAIM**

The ornamental design for a peanut butter stirring device, as shown and described.

(56) **References Cited**

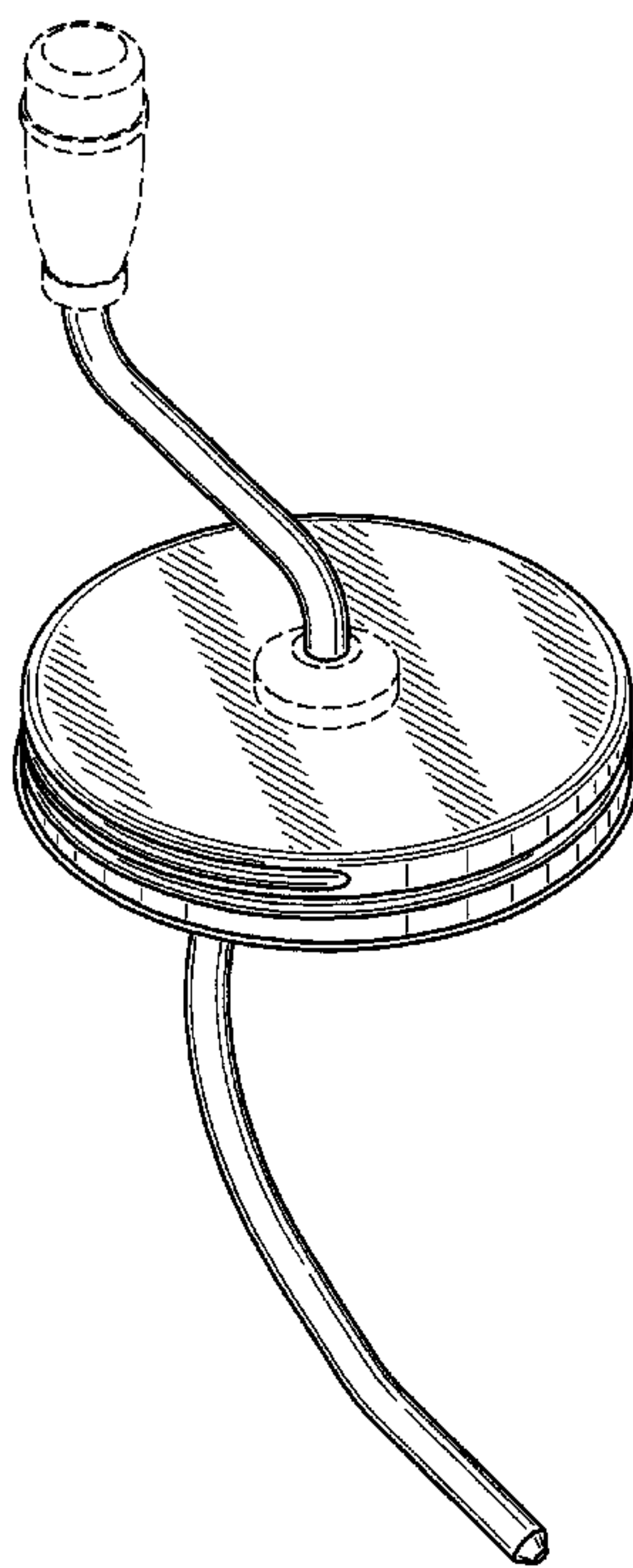
U.S. PATENT DOCUMENTS

1,196,932 A * 9/1916 Carpenter et al. 366/281
1,447,653 A 3/1923 Fish
1,827,004 A 10/1931 Gibson
2,025,379 A 12/1935 Croasdale, Jr.
D112,773 S * 1/1939 Hacmac D7/392
2,149,698 A * 3/1939 Humphrey 401/119
2,175,735 A * 10/1939 Banks 401/119
2,579,874 A 12/1951 Shaw
D199,961 S * 1/1965 Hare D9/436
3,322,403 A 5/1967 Murphy
3,456,923 A 7/1969 Zeuzem
3,603,564 A 9/1971 Price
3,972,512 A 8/1976 Grise
4,057,226 A 11/1977 de Mos

DESCRIPTION

FIG. 1 is a perspective view of the peanut butter stirring device showing my new design; an exemplary handle and an exemplary bearing being shown in broken lines;
FIG. 2 is a front elevation view of FIG. 1; the rear elevation being a mirror image thereof; an exemplary jar being shown in broken lines;
FIG. 3 is a left side elevation view of FIG. 1;
FIG. 4 is a right side elevation view of FIG. 1;
FIG. 5 is a top plan view of FIG. 1; and,
FIG. 6 is a bottom plan view of FIG. 1.
The broken lines form no part of the claimed design.

1 Claim, 5 Drawing Sheets



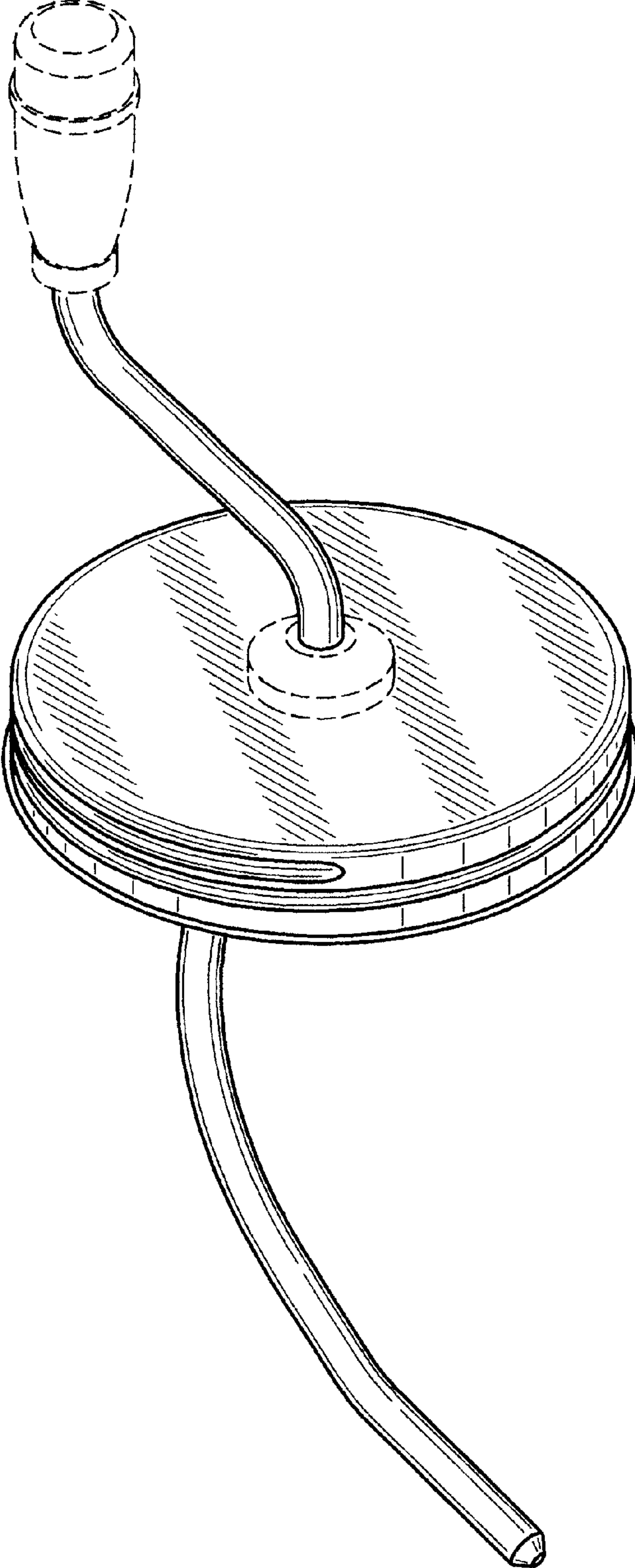


FIG. 1

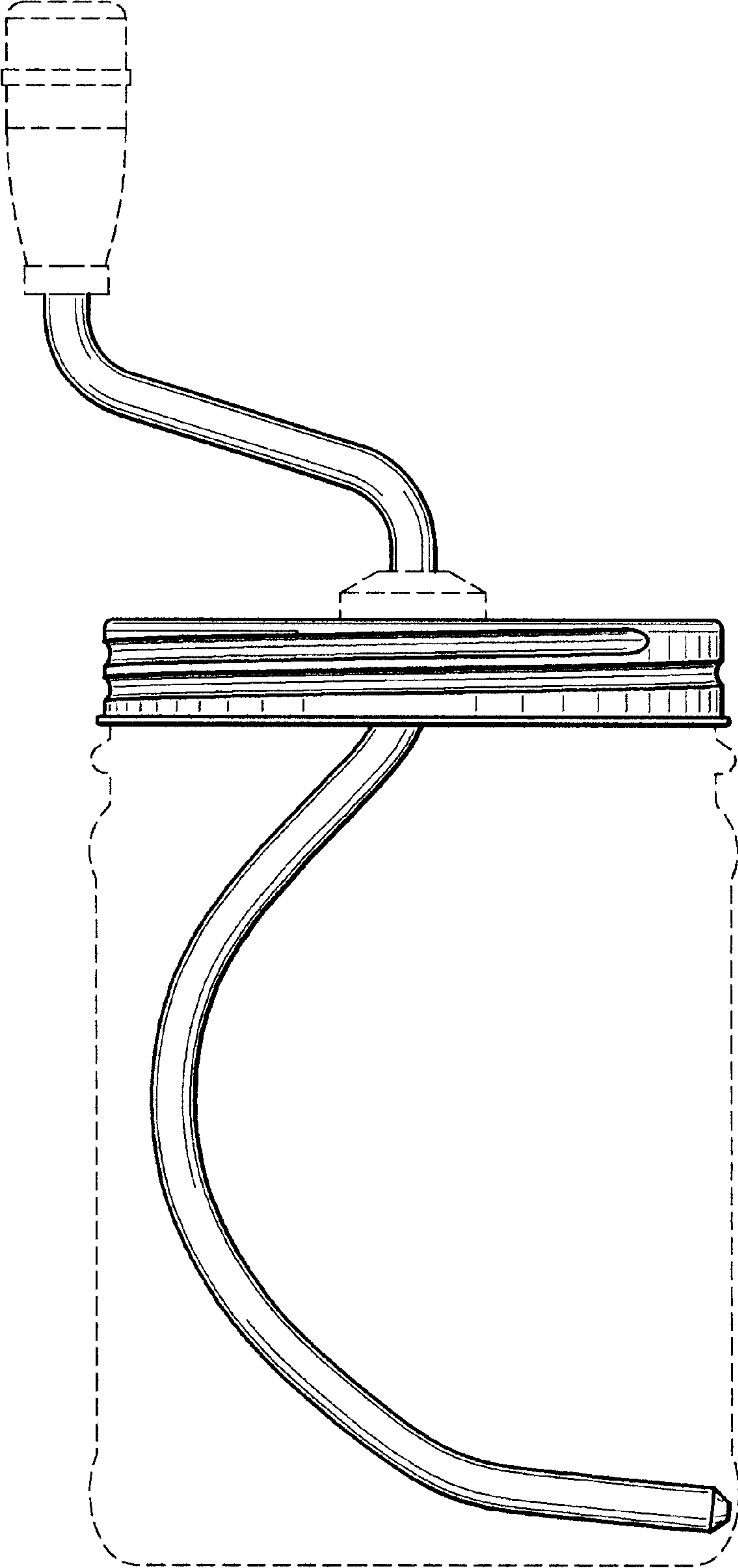


FIG. 2

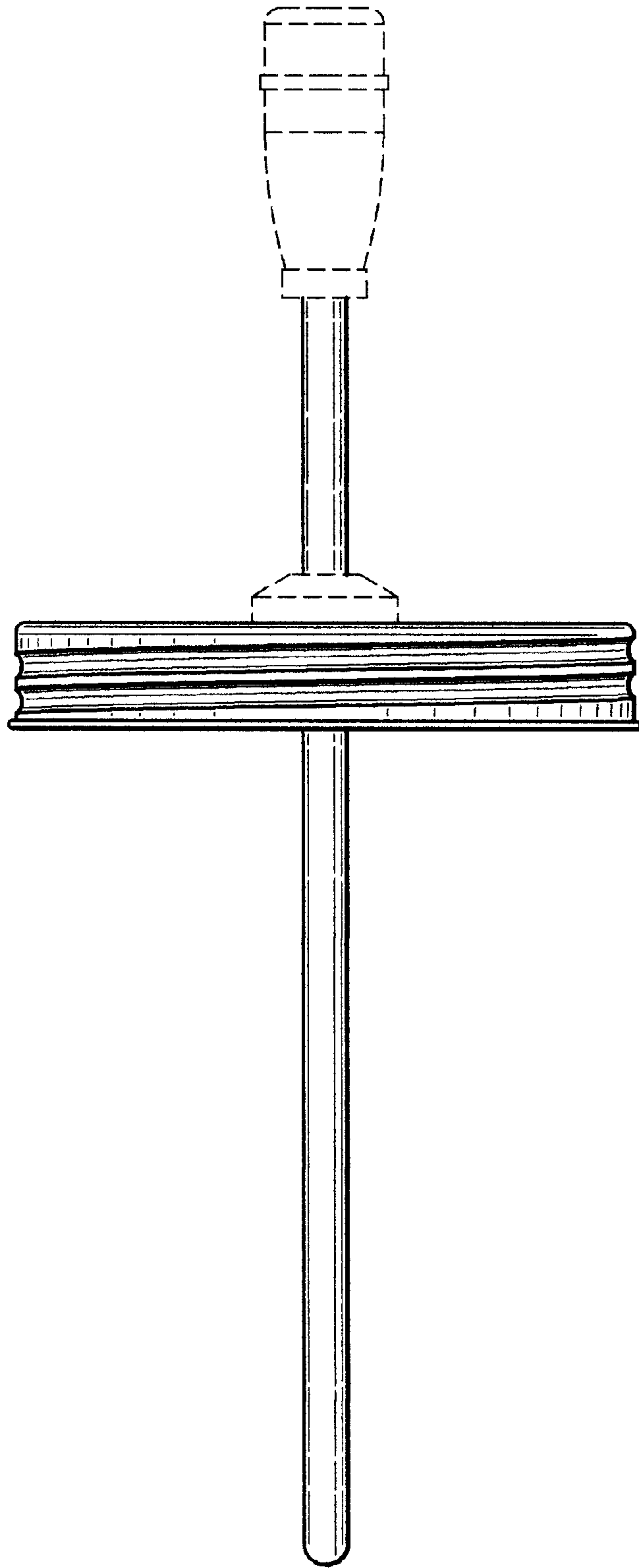


FIG. 3

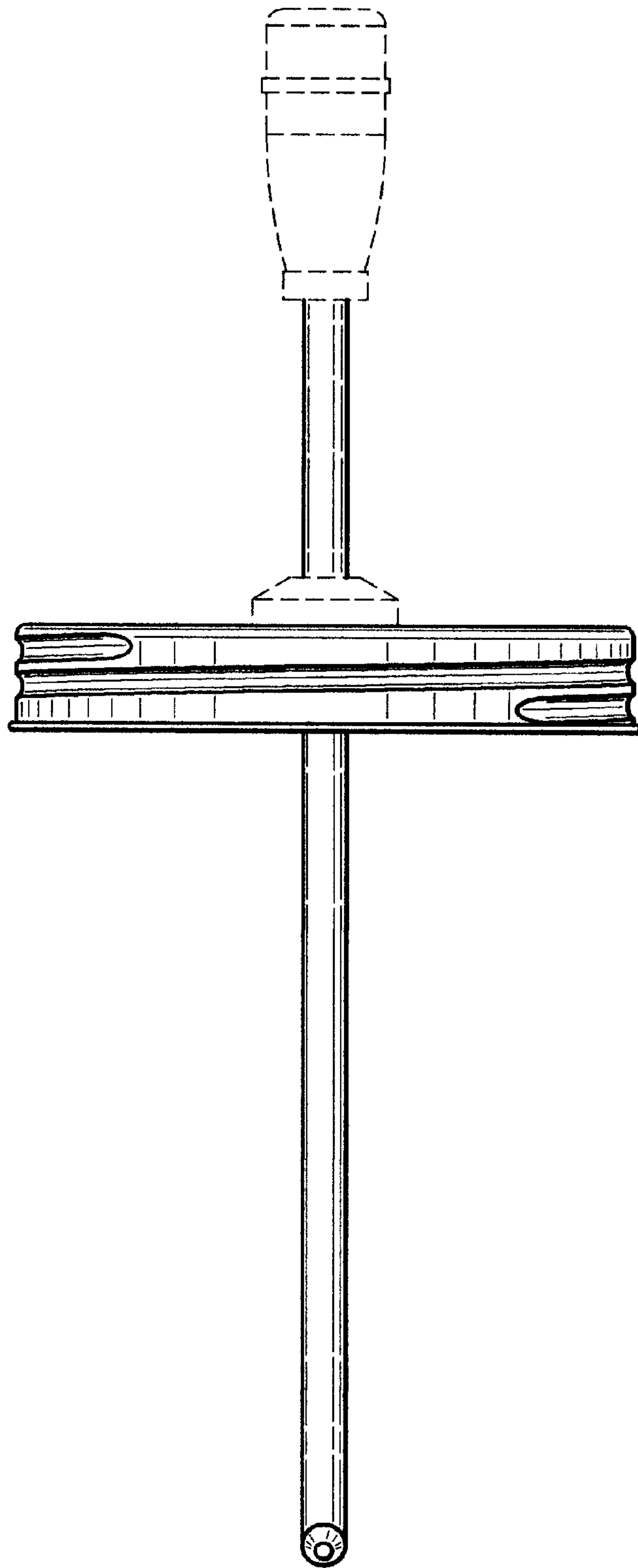


FIG. 4

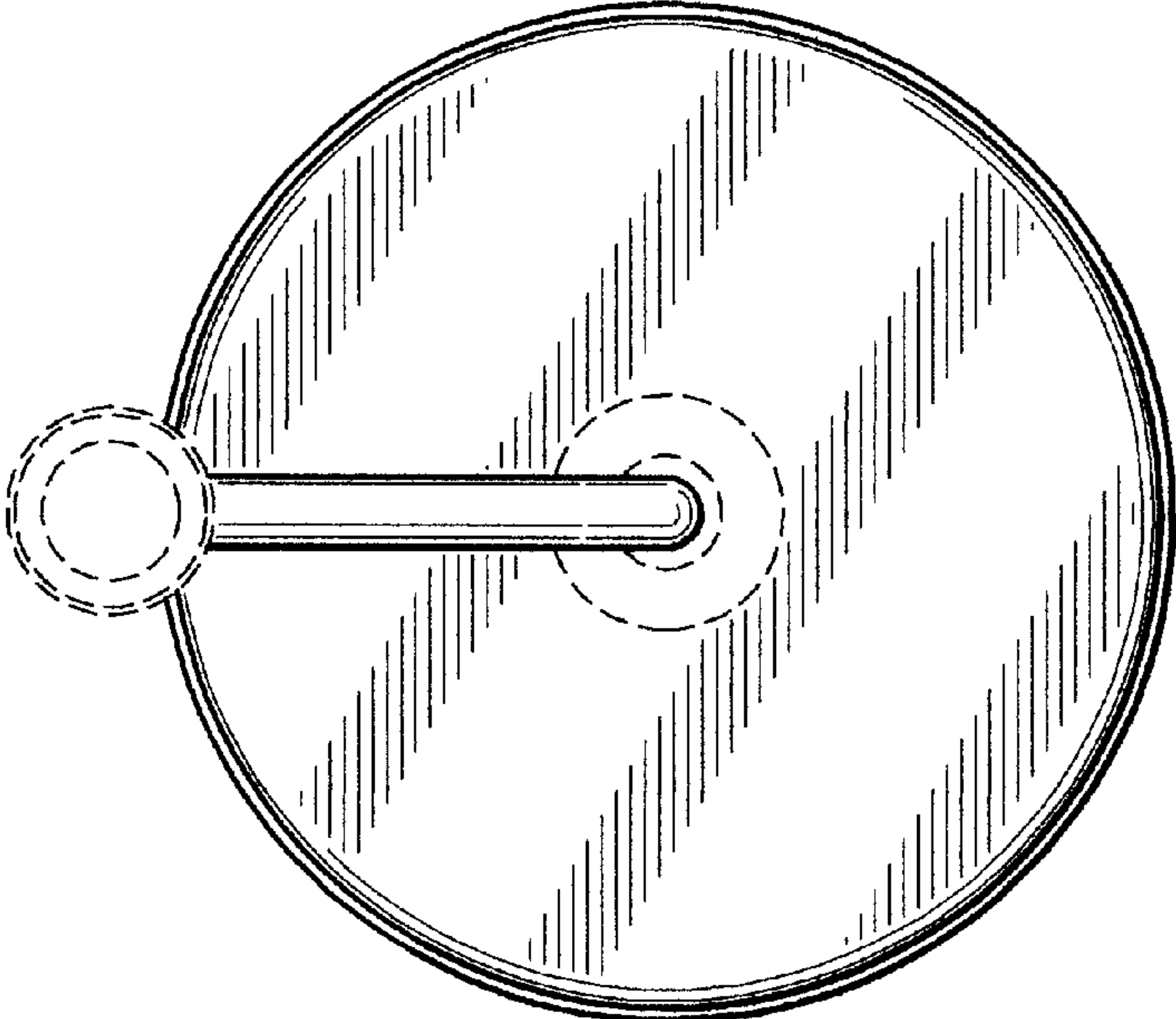


FIG. 5

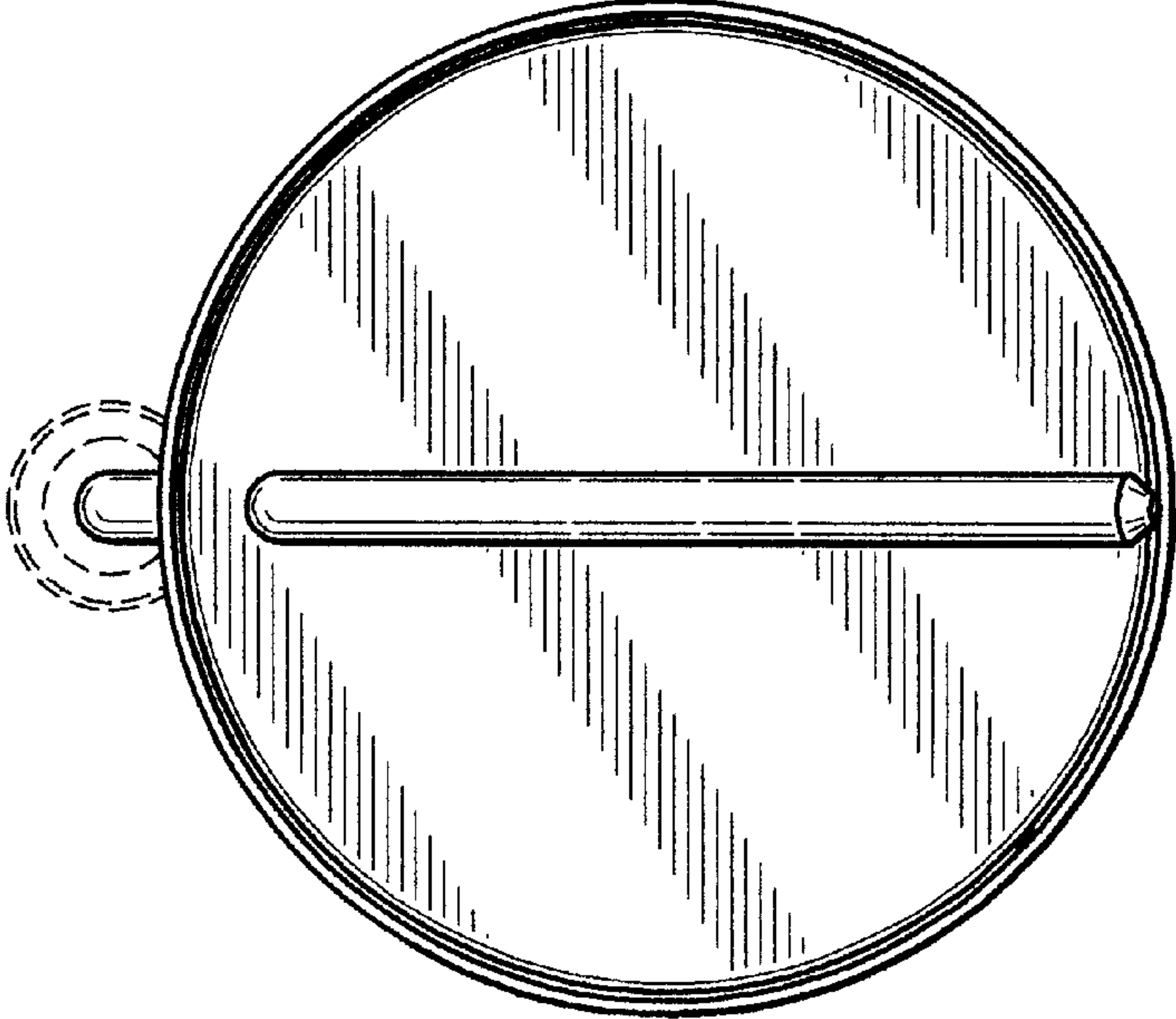


FIG. 6