



US00D515344S

(12) **United States Design Patent**
Hoernig

(10) **Patent No.:** **US D515,344 S**

(45) **Date of Patent:** **** Feb. 21, 2006**

(54) **TOWEL BAR**

D463,934 S * 10/2002 Gilbert et al. D6/549
D478,759 S * 8/2003 Hoernig D6/549

(75) Inventor: **Victor Hoernig**, Lowell, IN (US)

* cited by examiner

(73) Assignee: **Brasstech, Inc.**, Santa Ana, CA (US)

Primary Examiner—Brian N Vinson
(74) *Attorney, Agent, or Firm*—Kwadjo Adusei-Poku;
Lloyd D. Doigan

(**) Term: **14 Years**

(21) Appl. No.: **29/224,596**

(57) **CLAIM**

(22) Filed: **Mar. 3, 2005**

The ornamental design for a towel bar, as shown and described.

(51) **LOC (8) Cl.** **06-04**

(52) **U.S. Cl.** **D6/549**

(58) **Field of Classification Search** D6/546–550,
D6/518–519, 522–524; D8/300, 303, 315–321;
108/28–29; 248/175, 176.1, 251, 302; 16/110.1,
16/412, 415; 242/570, 590, 595–598; 211/13.1,
211/16, 60.1, 100, 86.01, 87.01, 88.01, 88.04,
211/105.1, 105.2, 123, 182, 181.1
See application file for complete search history.

DESCRIPTION

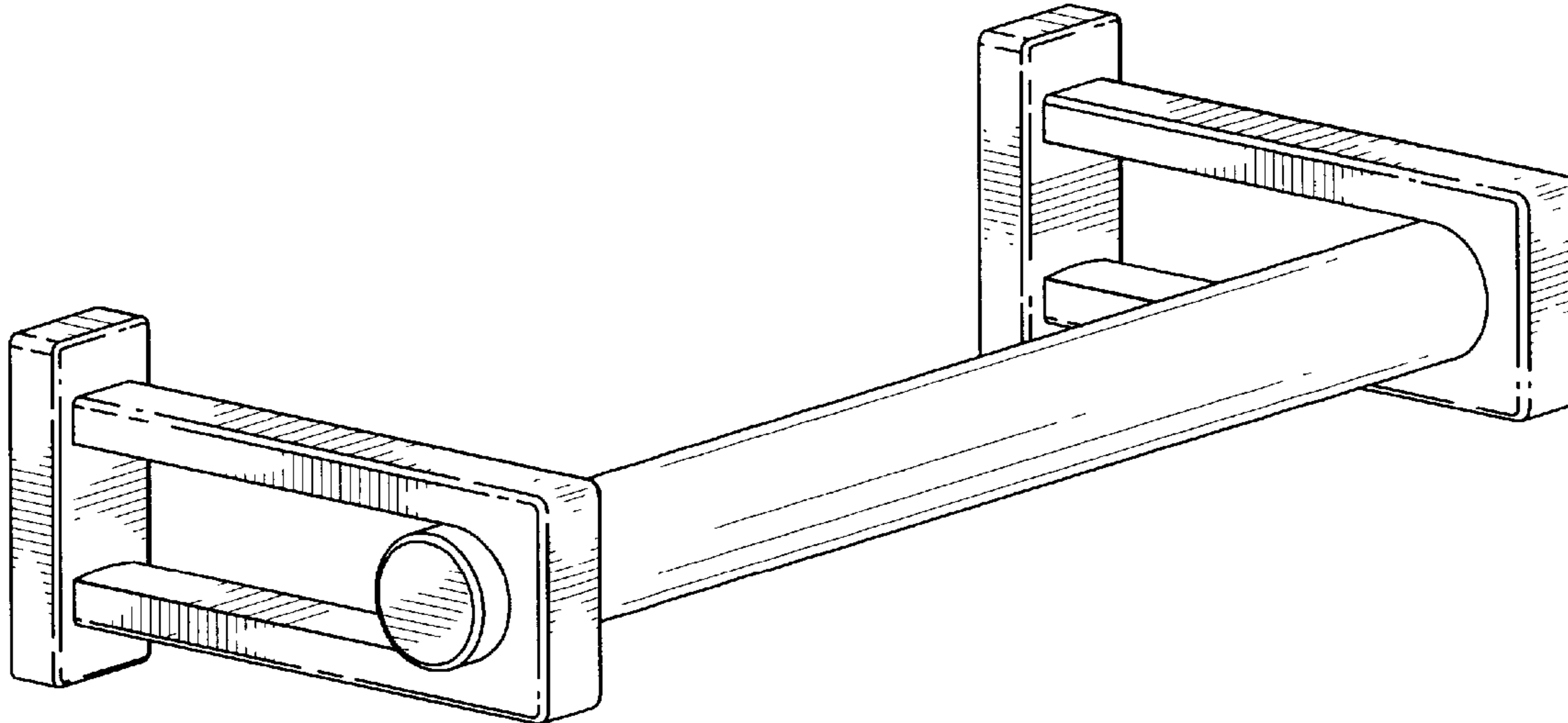
FIG. 1 is a front perspective view of a towel bar showing my design;
FIG. 2 is a top plan view thereof;
FIG. 3 is a bottom plan view thereof;
FIG. 4 is a front elevational view thereof;
FIG. 5 is a rear elevational view thereof;
FIG. 6 is a left side elevational view thereof; and,
FIG. 7 is a right side elevational view thereof.
The broken lines in the Figures are for illustrative purposes only and form no part of the claimed design.

(56) **References Cited**

U.S. PATENT DOCUMENTS

D424,353 S * 5/2000 Duggan D6/550
D455,823 S * 4/2002 Zetsche D23/304

1 Claim, 7 Drawing Sheets



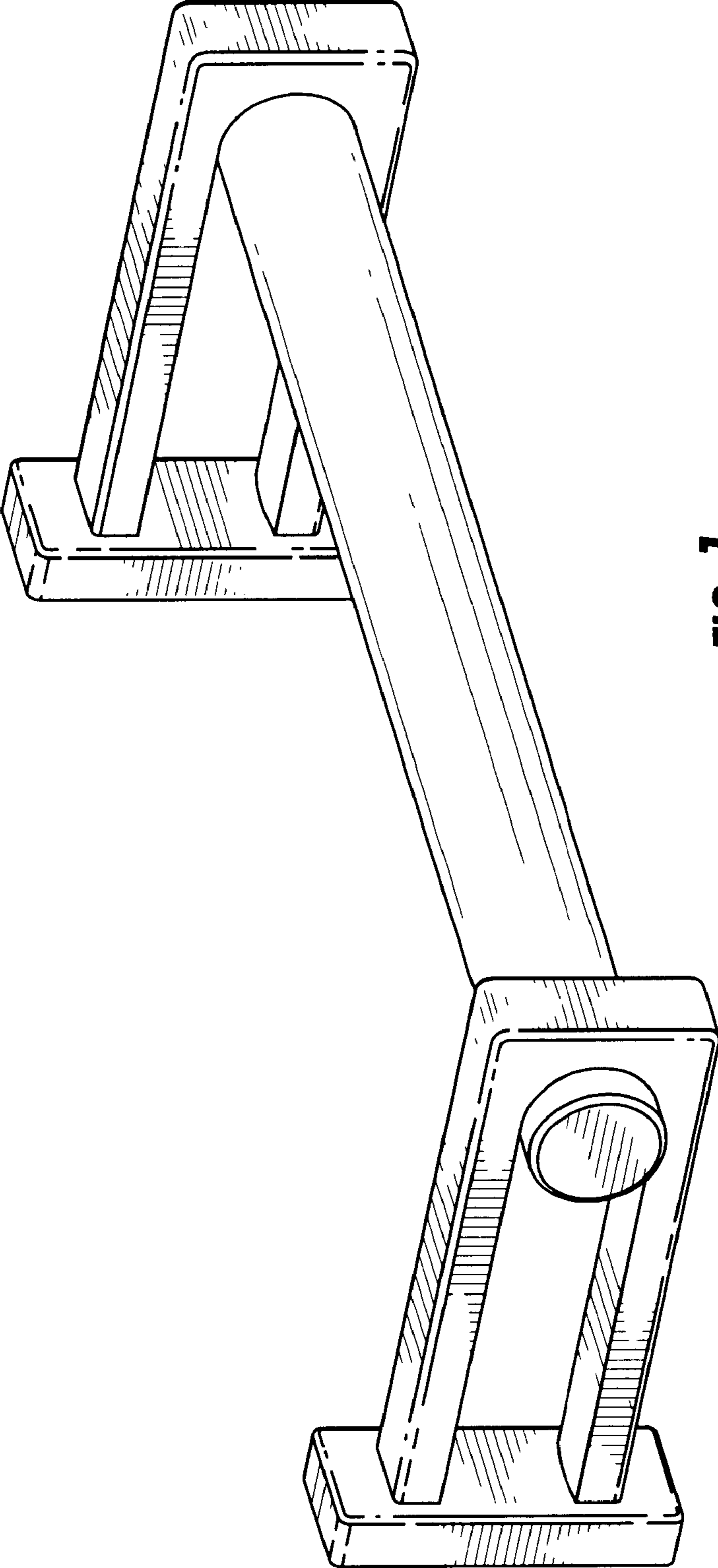


FIG. 7

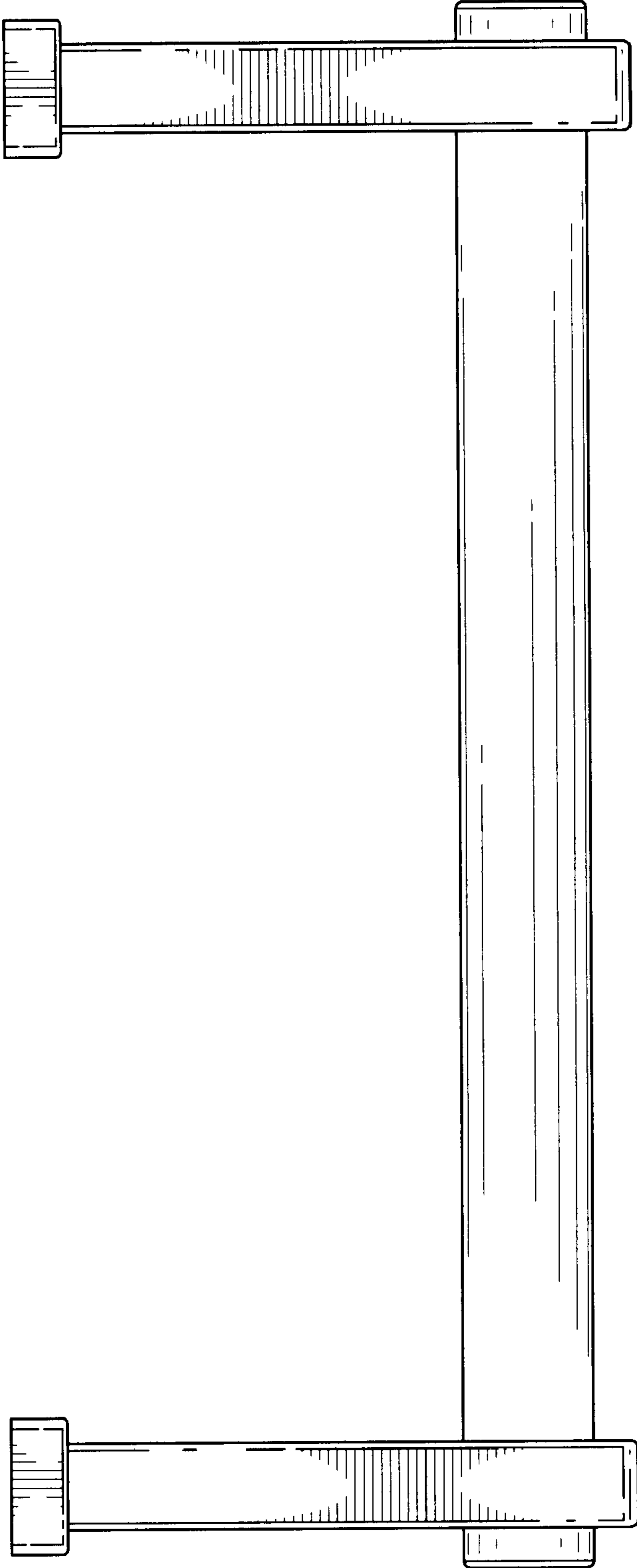


FIG. 2

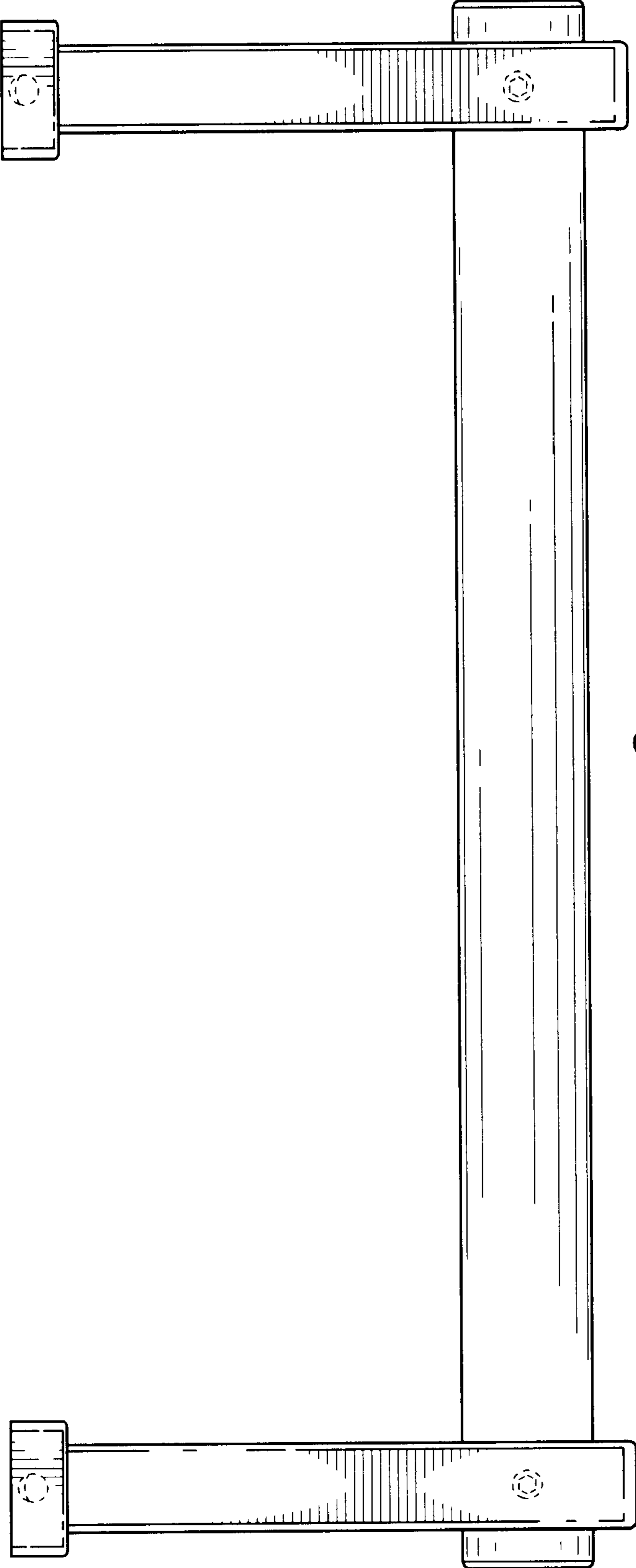


FIG. 3

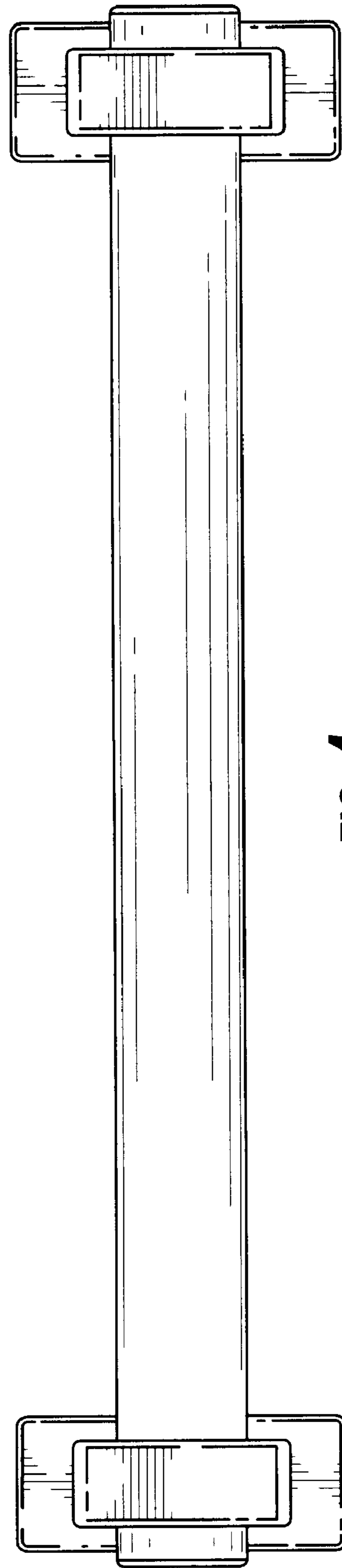


FIG. 4

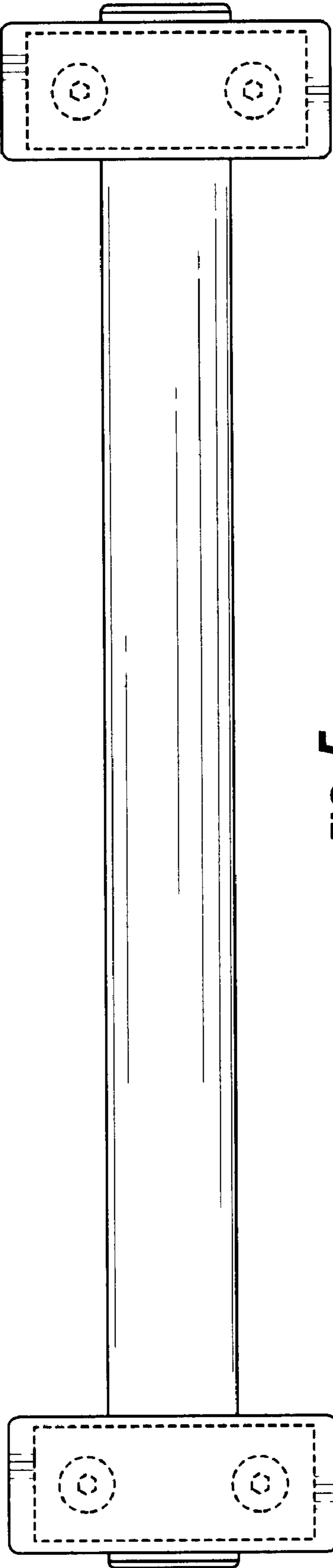


FIG. 5

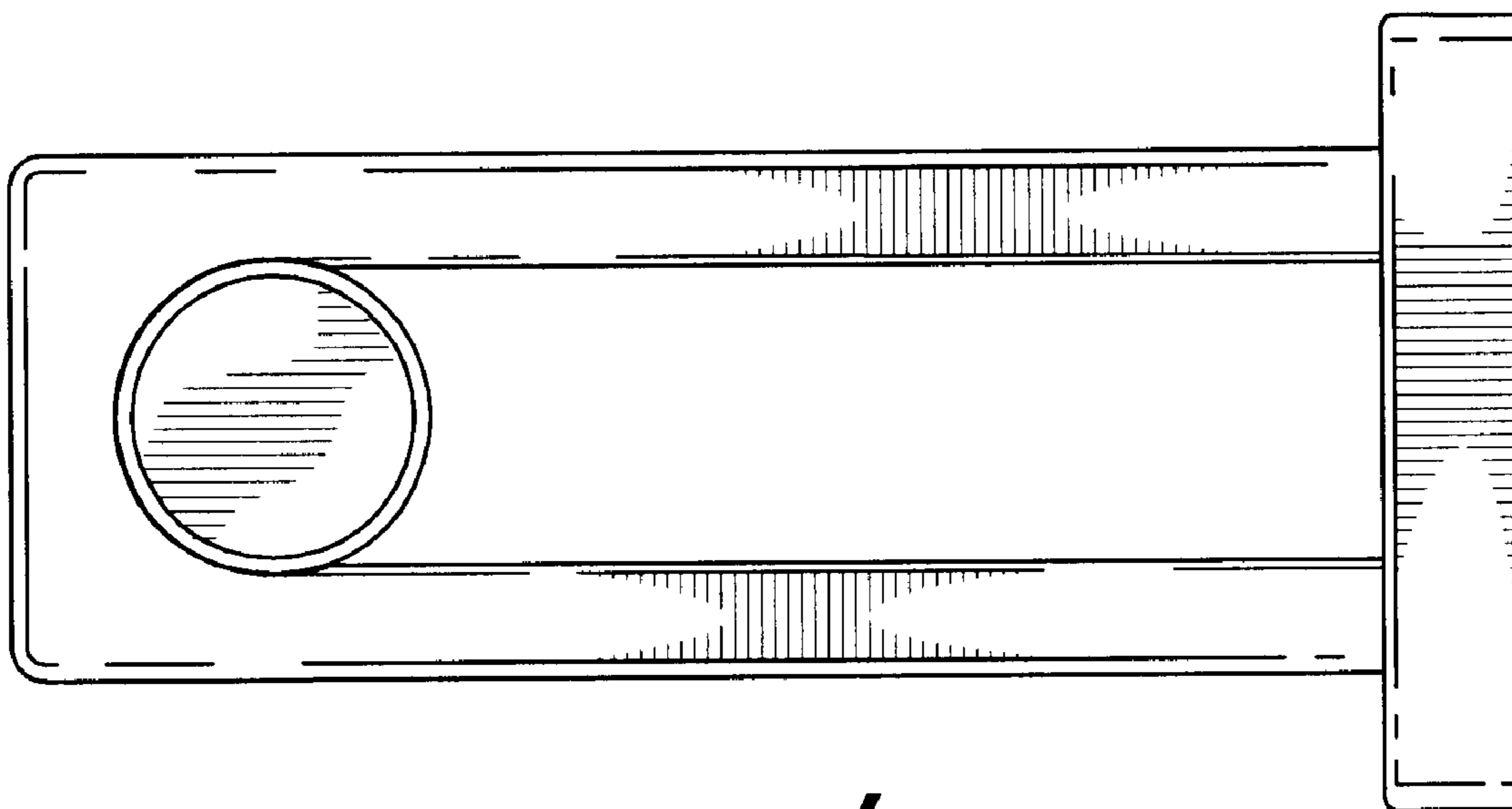


FIG. 6

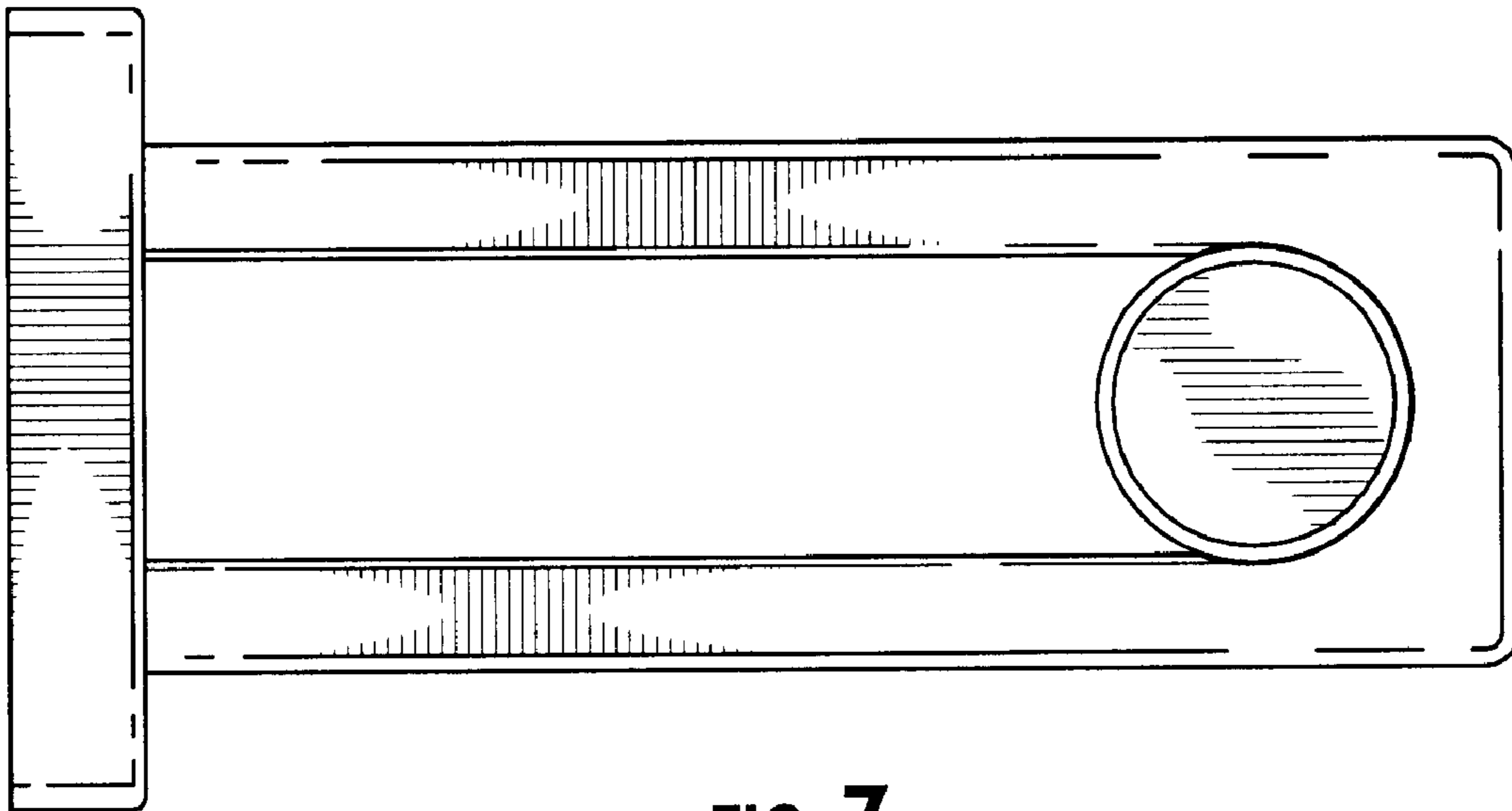


FIG. 7