



US00D515343S

(12) **United States Design Patent** (10) **Patent No.:** **US D515,343 S**
Gilbert (45) **Date of Patent:** **** Feb. 21, 2006**

(54) **ACCESSORY POST**

(75) Inventor: **Christopher Jon Gilbert**, Moreland Hills, OH (US)

(73) Assignee: **Moen Incorporated**, North Olmsted, OH (US)

(**) Term: **14 Years**

(21) Appl. No.: **29/225,520**

(22) Filed: **Mar. 17, 2005**

Related U.S. Application Data

(62) Division of application No. 29/198,221, filed on Jan. 27, 2004.

(51) **LOC (8) Cl.** **23-02**

(52) **U.S. Cl.** **D6/524**

(58) **Field of Classification Search** D6/546-550, D6/518-519, 522-524; D8/300, 303, 315-321, D8/354, 363, 373, 380; 108/28-29; 211/13.1, 211/16, 60.1, 86.01, 87.01, 88.01, 88.04, 211/100, 105.1-105.2, 123, 126.1, 133.6, 211/134, 181.1, 182; 248/175, 176.1, 200, 248/251, 302, 309.1; 16/110.1, 412, 415; 242/570, 590, 595-598; 206/389, 557

See application file for complete search history.

(56) **References Cited**

U.S. PATENT DOCUMENTS

- D328,215 S 7/1992 McKeone
- D439,087 S 3/2001 Fuchs
- D449,949 S 11/2001 Hsieh
- D452,400 S 12/2001 Chen
- D466,349 S * 12/2002 Tai D6/550
- D466,737 S * 12/2002 Tai D6/524

- D469,644 S 2/2003 Yen
- D473,741 S 4/2003 Gilbert
- D477,482 S 7/2003 Green
- D477,486 S * 7/2003 Green D6/550
- D477,739 S 7/2003 Gilbert
- D483,585 S * 12/2003 Chen D6/524
- D493,054 S * 7/2004 Roberts et al. D6/524
- D493,645 S * 8/2004 Ayers et al. D6/524
- D495,178 S * 8/2004 Fahy et al. D6/524
- D497,751 S * 11/2004 Roberts et al. D6/524

* cited by examiner

Primary Examiner—Brian N Vinson

(74) *Attorney, Agent, or Firm*—Calfee, Halter & Griswold LLP

(57) **CLAIM**

The ornamental design for an accessory post, as shown and described.

DESCRIPTION

FIG. 1 is a perspective view of an accessory post of the new design;
 FIG. 2 is a right side elevational view of the accessory post of FIG. 1;
 FIG. 3 is a top plan view of the accessory post of FIG. 1;
 FIG. 4 is a front elevational view of the accessory post of FIG. 1;
 FIG. 5 is a left side elevational view of the accessory post of FIG. 1;
 FIG. 6 is a bottom plan view of the accessory post of FIG. 1; and,
 FIG. 7 is a rear elevational view of the accessory post of FIG. 1.

The portion of the Figures shown in broken lines is for illustrative purposes only, and forms no part of the claimed design.

1 Claim, 2 Drawing Sheets

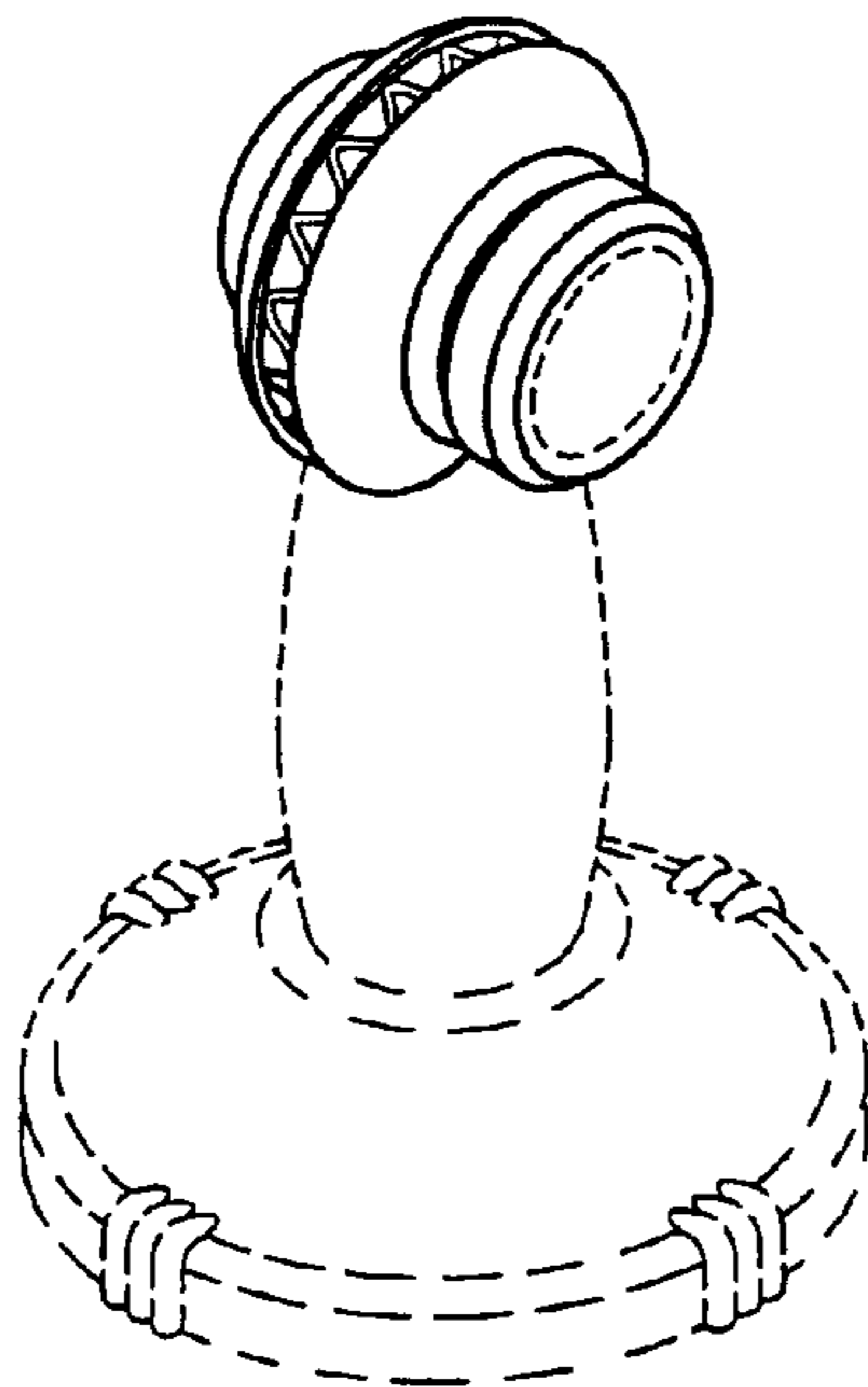


FIG. 1

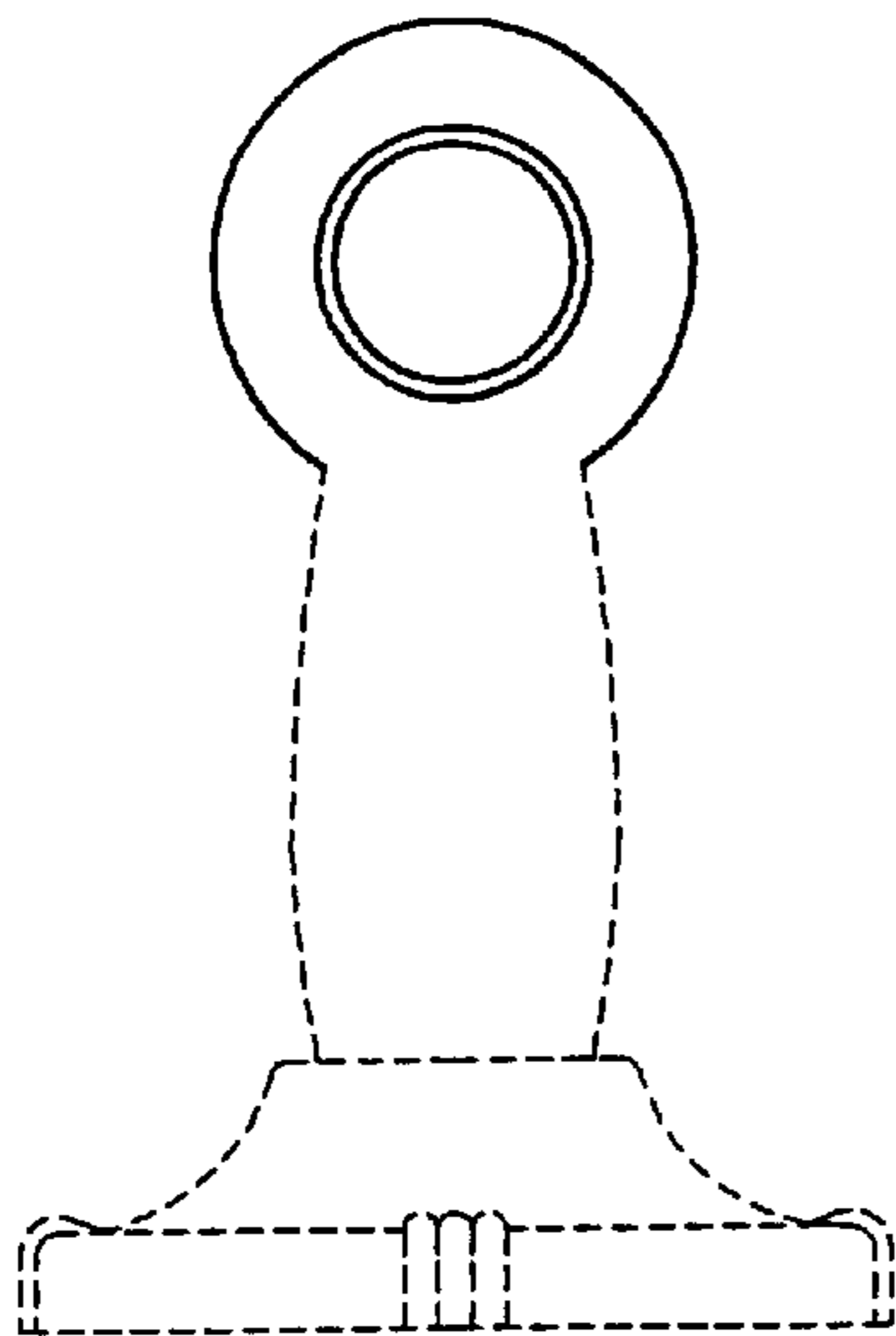
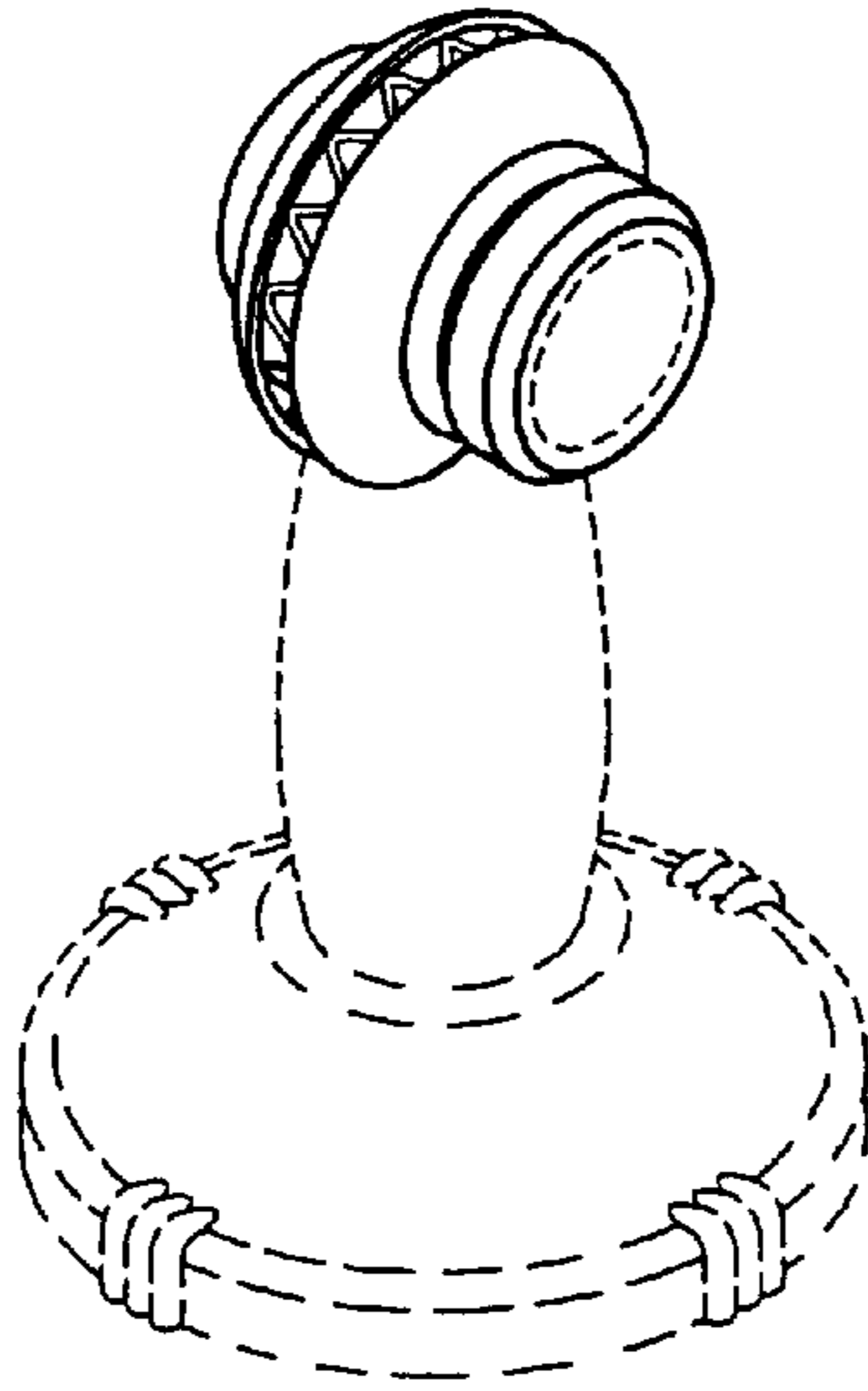


FIG. 2

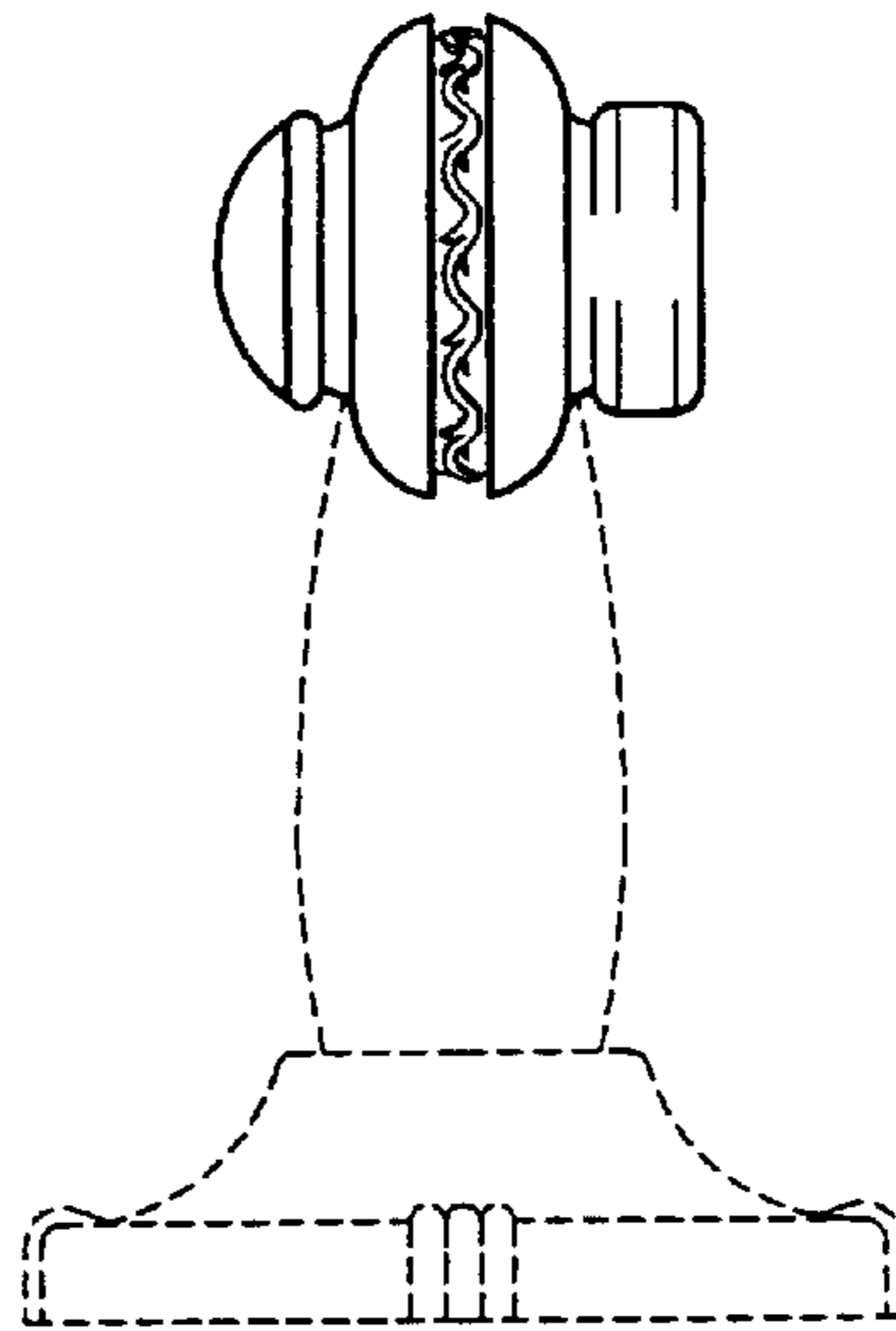


FIG. 3

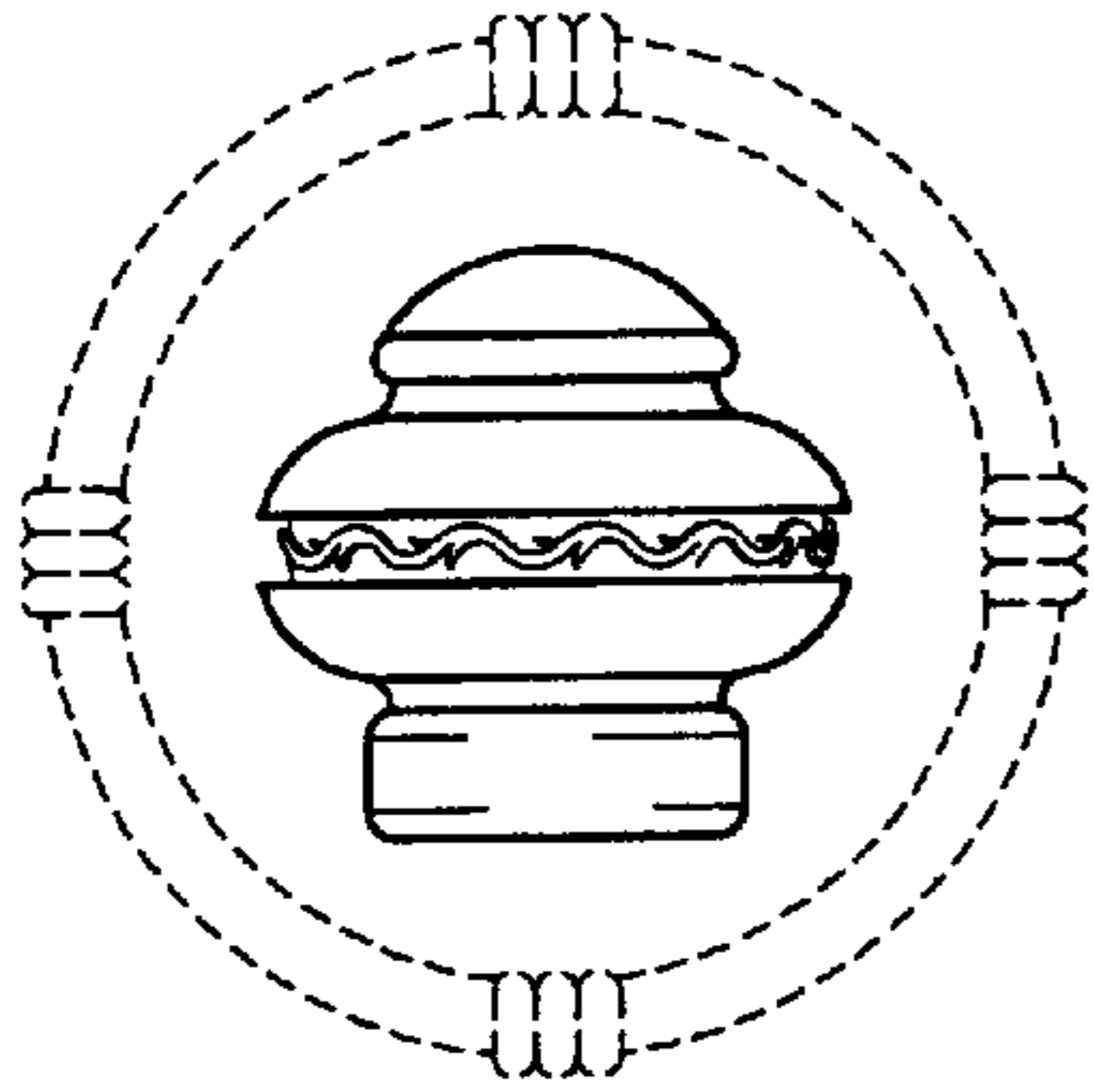


FIG. 4

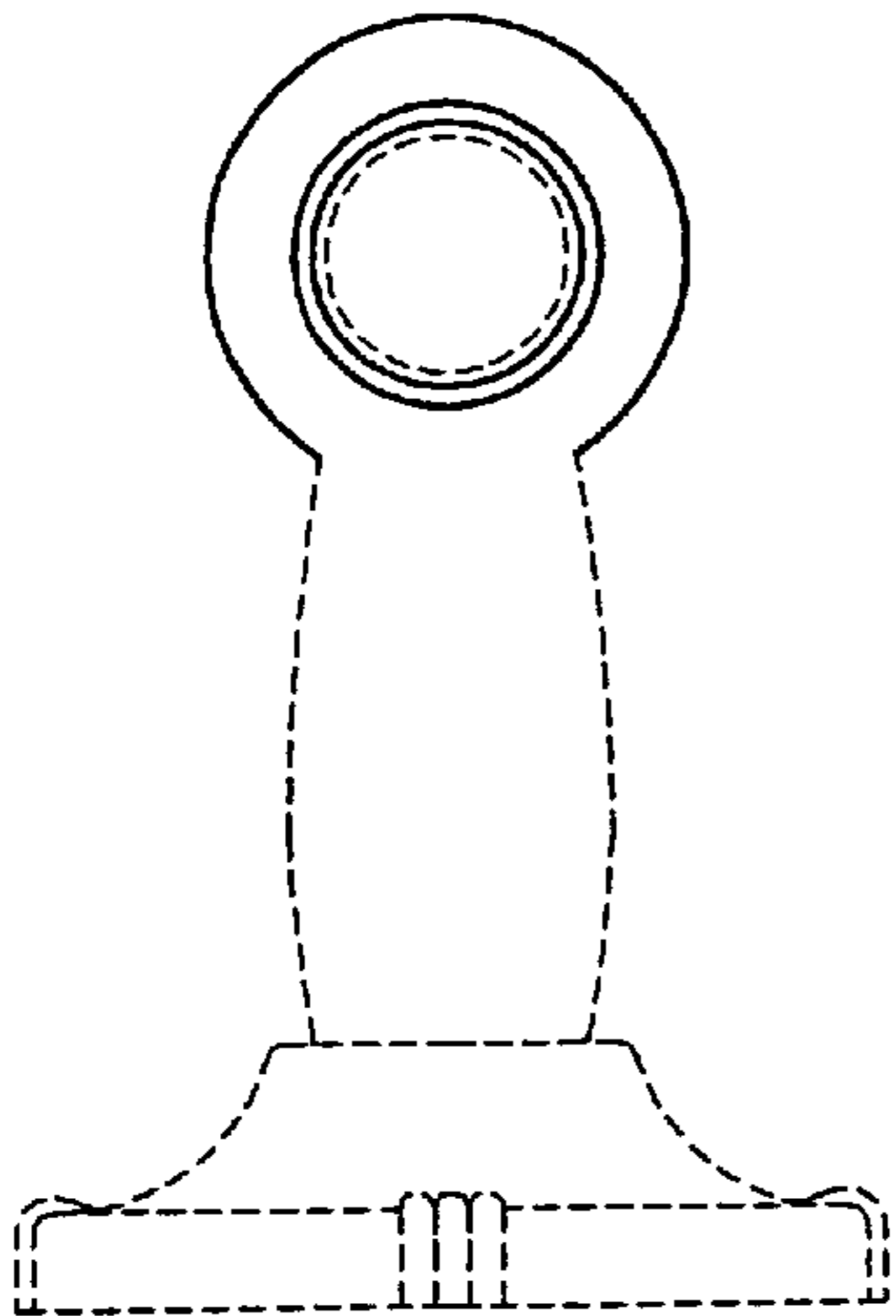


FIG. 5

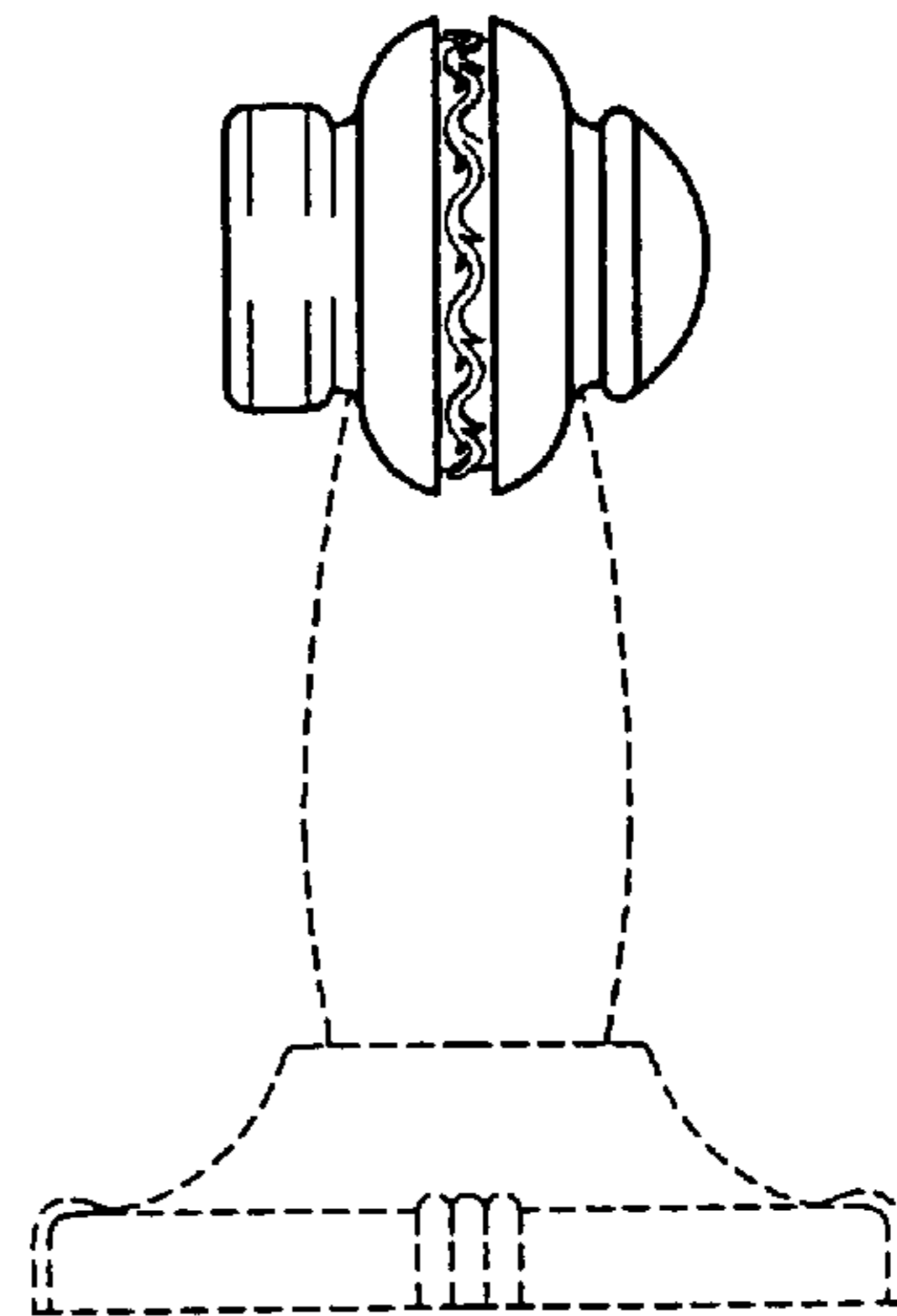


FIG. 6

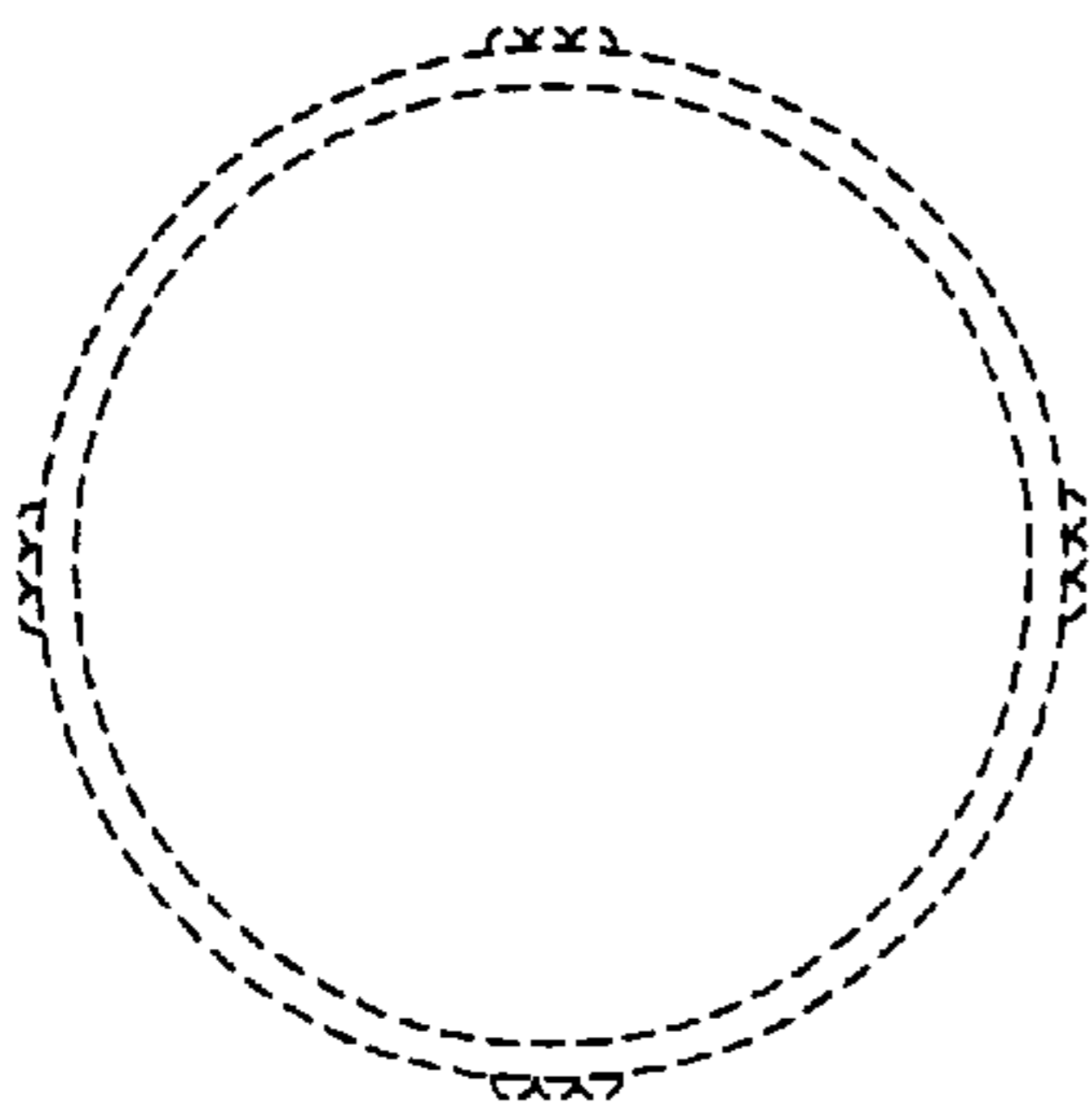


FIG. 7