



US00D515338S

(12) **United States Design Patent**
Berry et al.

(10) **Patent No.:** **US D515,338 S**

(45) **Date of Patent:** **** Feb. 21, 2006**

(54) **TABLE**

(75) **Inventors:** **Rick Berry**, Hickory, NC (US); **Dave Clark**, Charlotte, NC (US)

(73) **Assignee:** **Bernhardt, L.L.C.**, Lenoir, NC (US)

(**) **Term:** **14 Years**

(21) **Appl. No.:** **29/211,079**

(22) **Filed:** **Aug. 11, 2004**

(51) **LOC (8) Cl.** **06-03**

(52) **U.S. Cl.** **D6/480**

(58) **Field of Classification Search** D6/480-489,
D6/495-499, 511, 429-431; 108/150, 153.1,
108/155, 156, 157.1, 161; 248/188, 188.1,
248/188.8

See application file for complete search history.

(56) **References Cited**

U.S. PATENT DOCUMENTS

- D21,802 S * 8/1892 Nuttall D6/480
- D78,291 S * 4/1929 Kain D6/495
- D157,184 S * 2/1950 Nisle D6/480

- D443,773 S 6/2001 O'Hare et al. D6/393
- D448,213 S * 9/2001 O'Hare et al. D6/480
- D462,855 S * 9/2002 McDaniel et al. D6/480
- D464,828 S * 10/2002 Vaaler D6/480

OTHER PUBLICATIONS

Ethan Allen, 1998, p. 358, Double Pedastal table, photocopy enclosed.

* cited by examiner

Primary Examiner—Janice E. Seeger

(74) *Attorney, Agent, or Firm*—MacCord Mason PLLC

(57) **CLAIM**

The ornamental design for a table, as shown and described.

DESCRIPTION

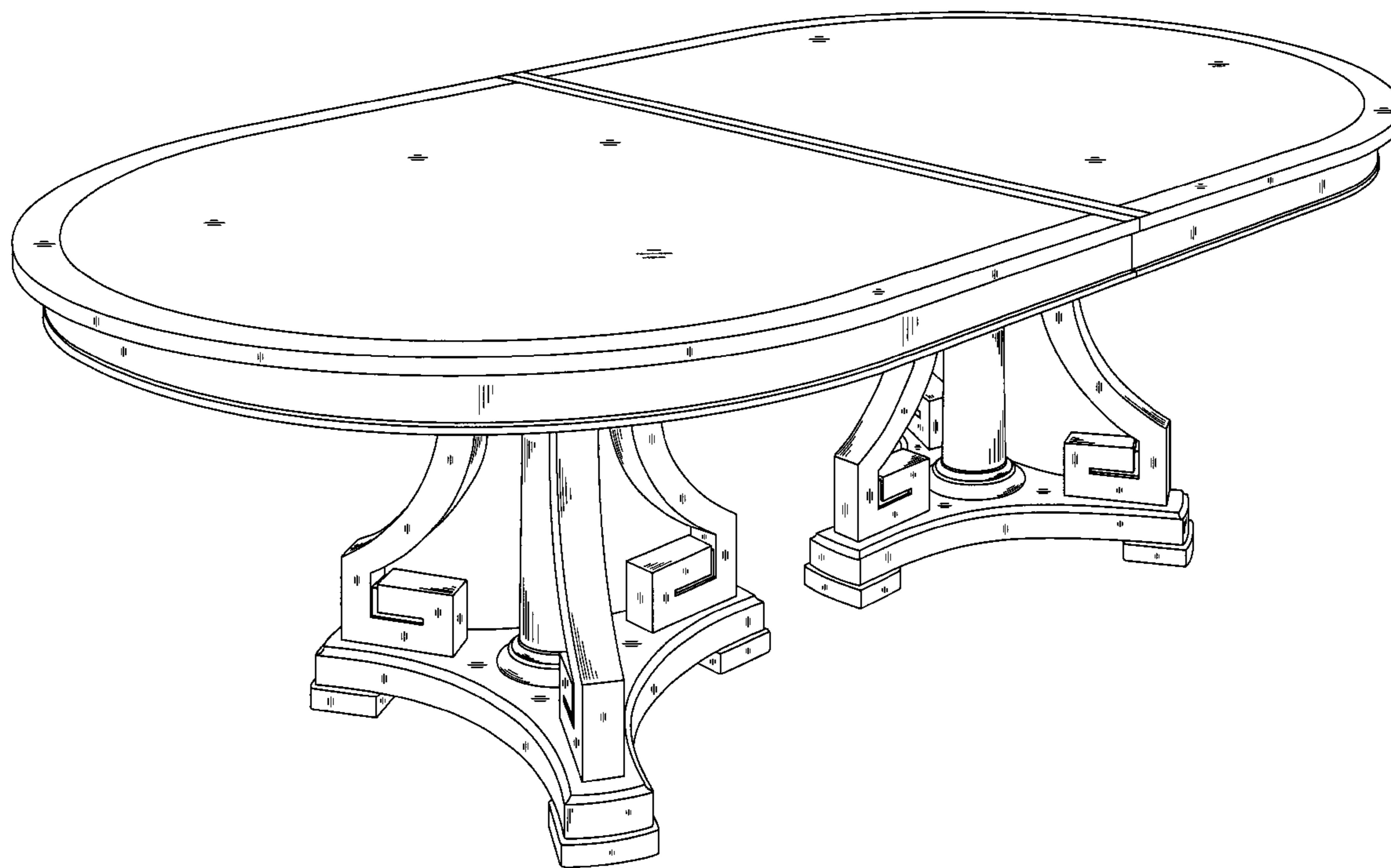
FIG. 1 is a front perspective view of a table showing my new design;

FIG. 2 is an end view, the opposite end being a mirror image thereof;

FIG. 3 is a side view, the opposite side being a mirror image thereof; and,

FIG. 4 is a top thereof.

1 Claim, 4 Drawing Sheets



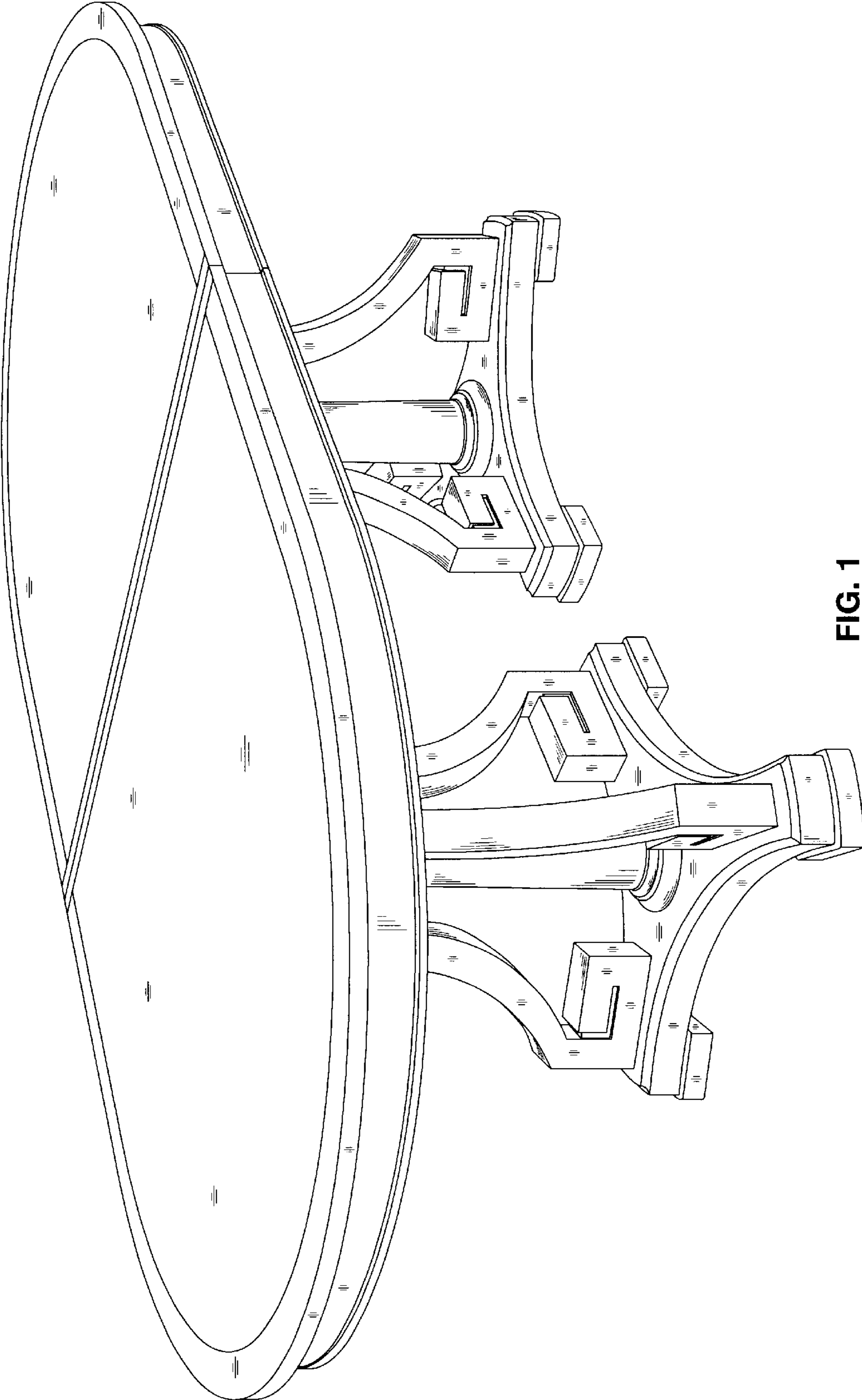


FIG. 1

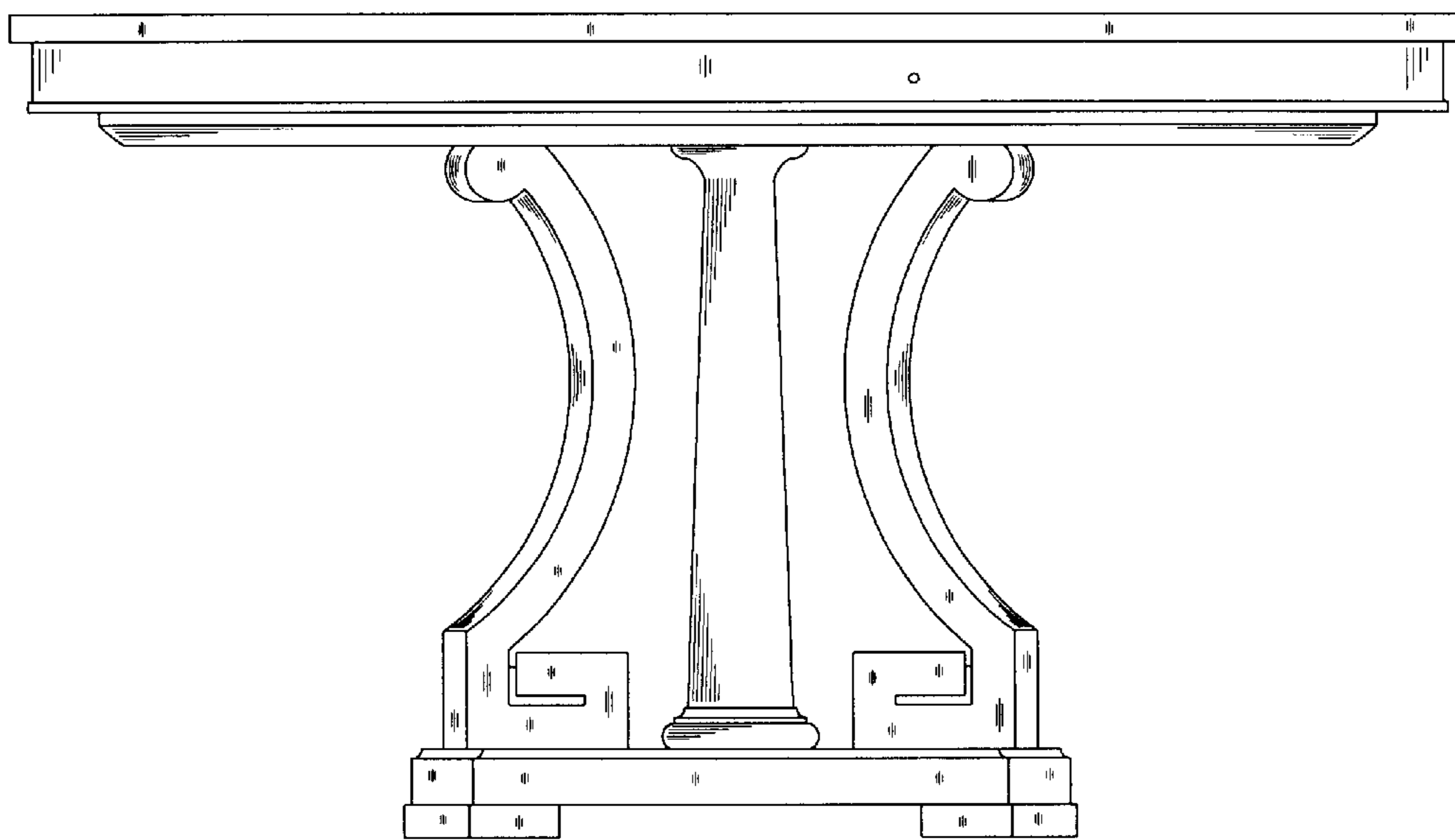


FIG. 2

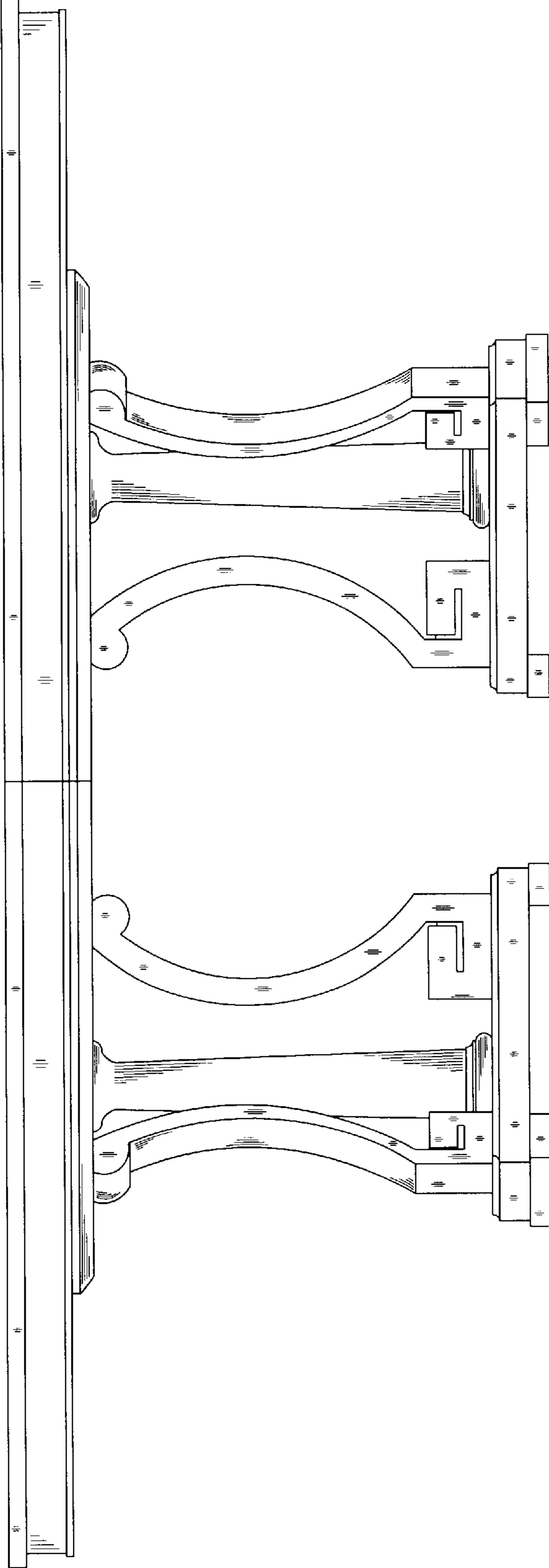


FIG. 3

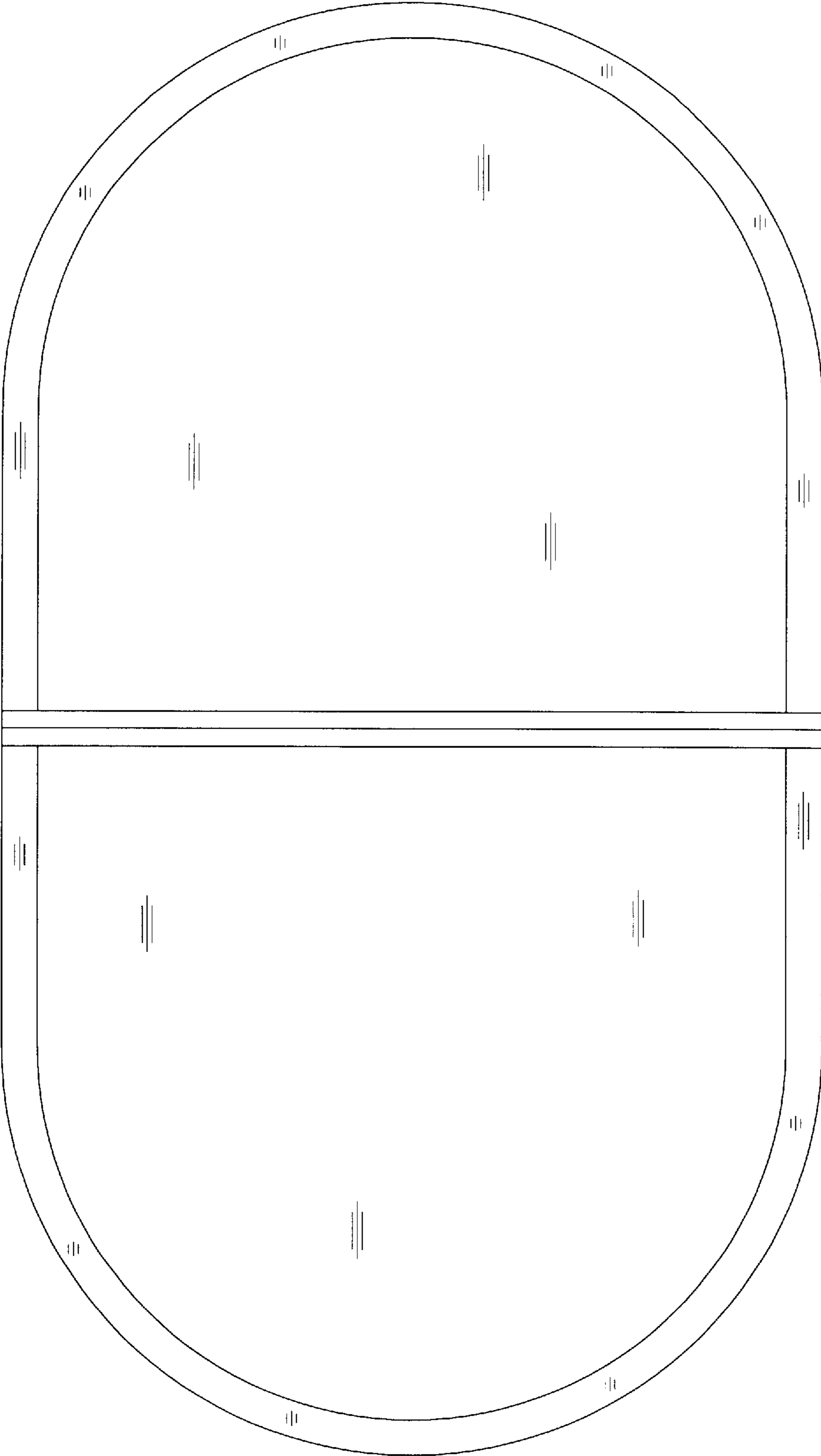


FIG. 4