



US00D515336S

(12) **United States Design Patent**
Sparkowski

(10) **Patent No.:** **US D515,336 S**

(45) **Date of Patent:** **** Feb. 21, 2006**

(54) **TWO-SIDED AISLE RACK**

(75) **Inventor:** **Robert P. Sparkowski**, Schaumburg, IL
(US)

(73) **Assignee:** **Chicago Display Marketing Corporation**, Melrose Park, IL (US)

(**) **Term:** **14 Years**

(21) **Appl. No.:** **29/204,802**

(22) **Filed:** **May 4, 2004**

(51) **LOC (8) Cl.** **06-04**

(52) **U.S. Cl.** **D6/464**

(58) **Field of Classification Search** D6/409-411,
D6/449, 458, 462-468, 475-479, 630; 211/40,
211/85.31, 85.1, 85.2, 13.1, 85.4, 119, 106,
211/85, 42, 49.1, 55, 41.4, 2, 1; 108/92; 248/130,
248/153, 177.1

See application file for complete search history.

(56) **References Cited**

U.S. PATENT DOCUMENTS

5,273,248 A * 12/1993 Grander 248/460

D432,332 S * 10/2000 Kashima D6/463
D436,756 S * 1/2001 Kashima D6/463
6,299,001 B1 * 10/2001 Frolov et al. 211/106
D451,704 S * 12/2001 Curci D6/463

* cited by examiner

Primary Examiner—Antoine Duval Davis

Assistant Examiner—Sydney R. Buffalow

(74) *Attorney, Agent, or Firm*—Jansson, Shupe, Munger & Antaramian, Ltd.

(57) **CLAIM**

I claim the ornamental design for a two-sided aisle rack, as shown and described.

DESCRIPTION

FIG. 1 is a perspective view of the two-sided aisle rack showing my new design;

FIG. 2 is a front view of my invention;

FIG. 3 is a back view of my invention;

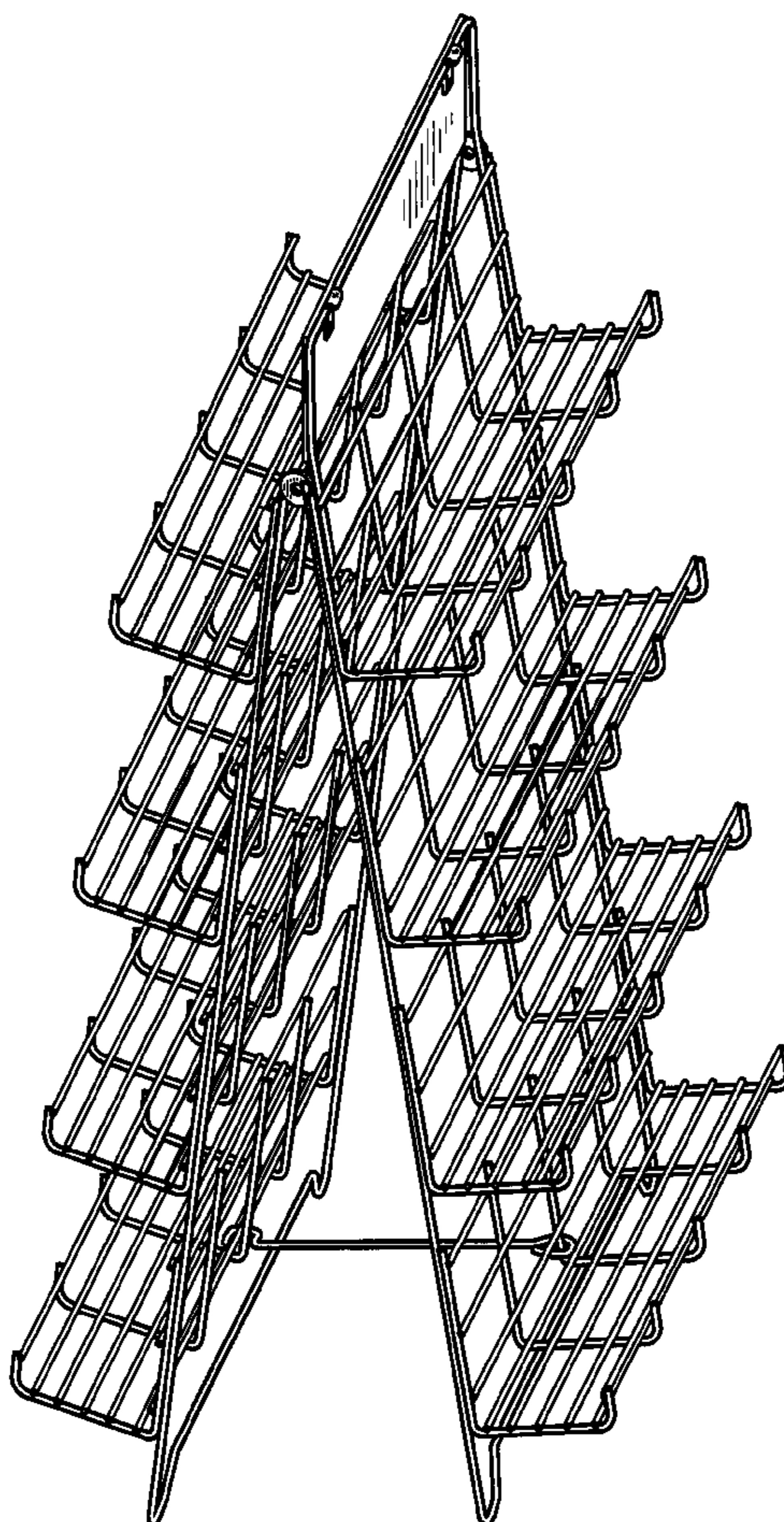
FIG. 4 is a side view of my invention;

FIG. 5 is a view of the other side of my invention;

FIG. 6 is a top view of my invention; and,

FIG. 7 is a bottom view of my invention.

1 Claim, 4 Drawing Sheets



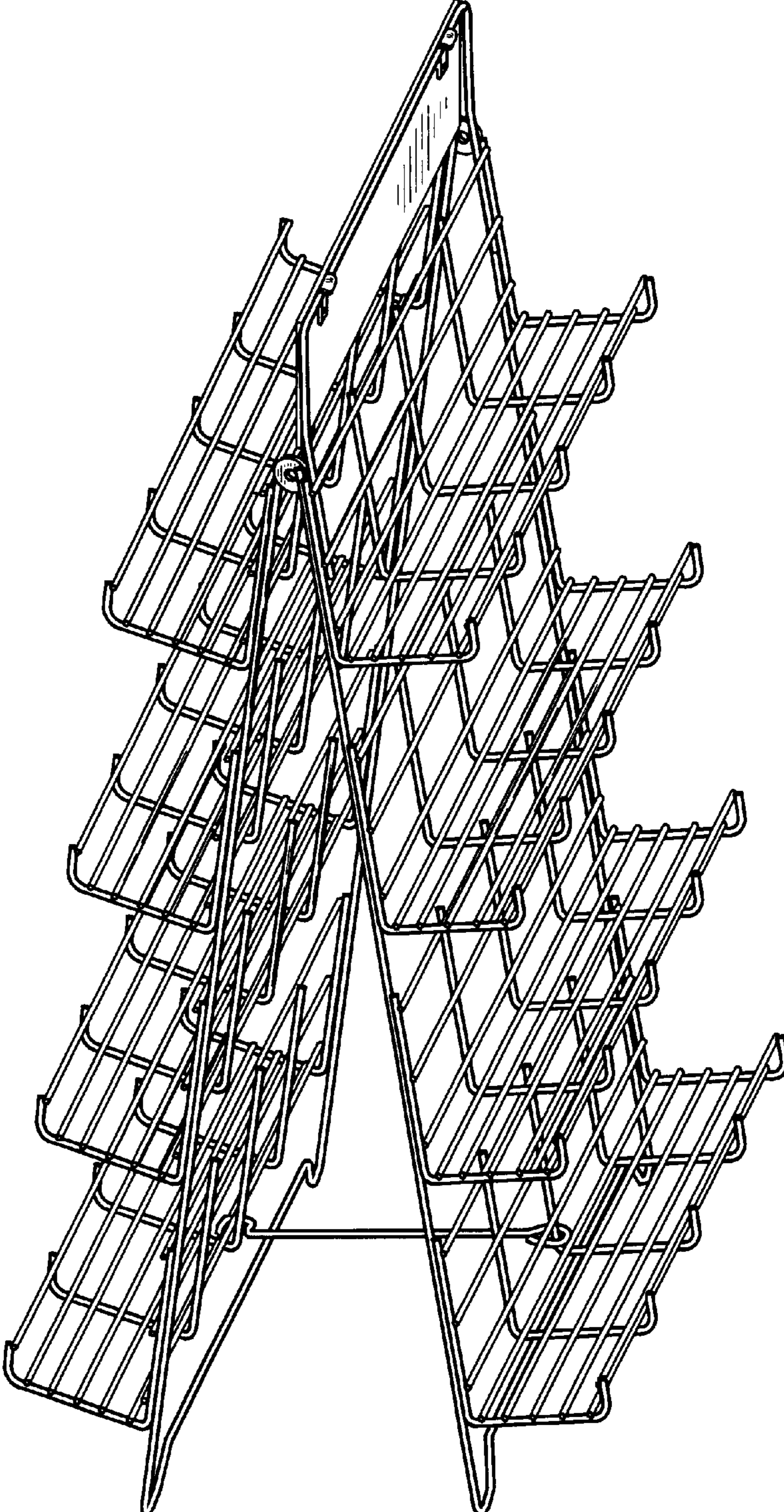


FIG. 1

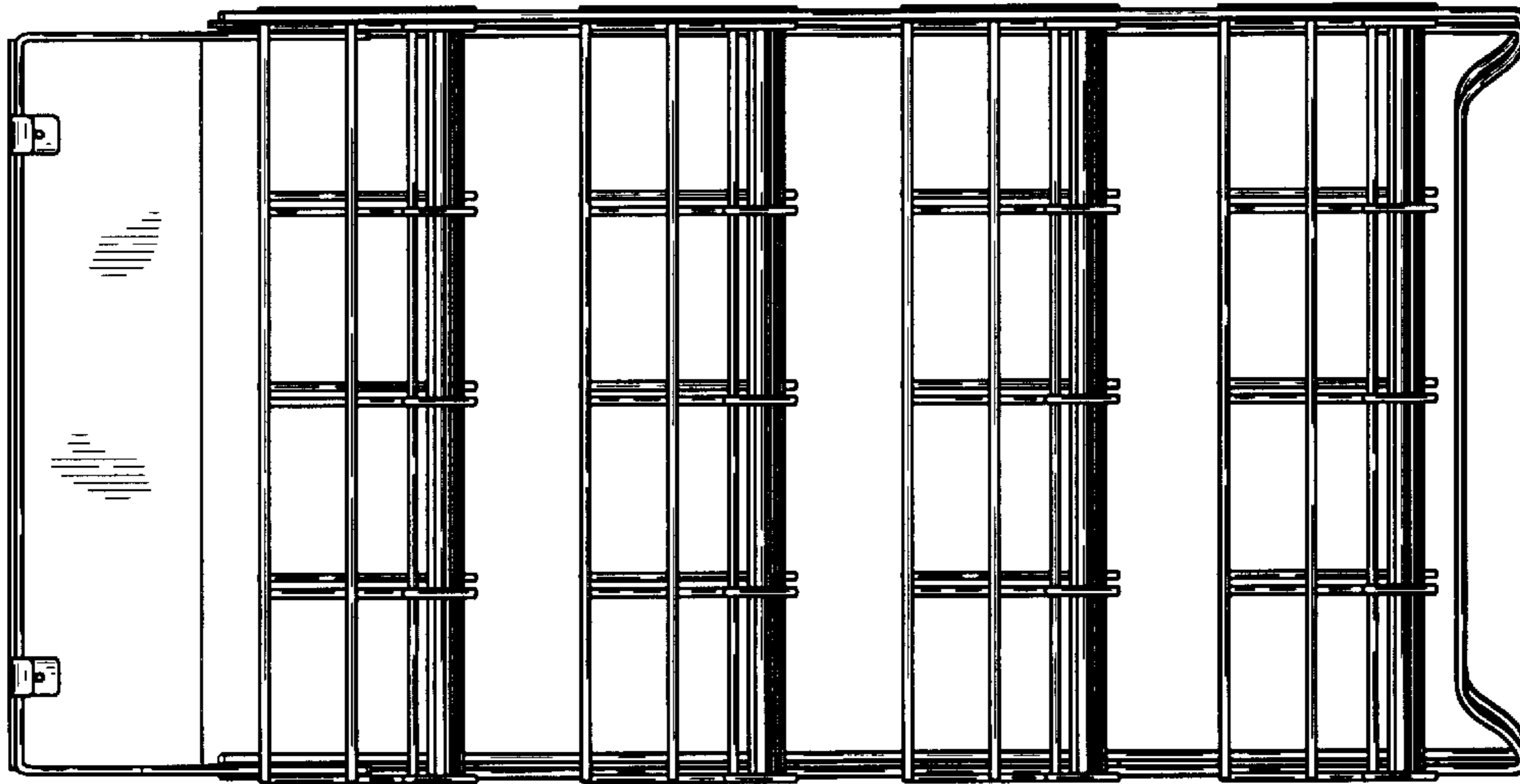


FIG. 3

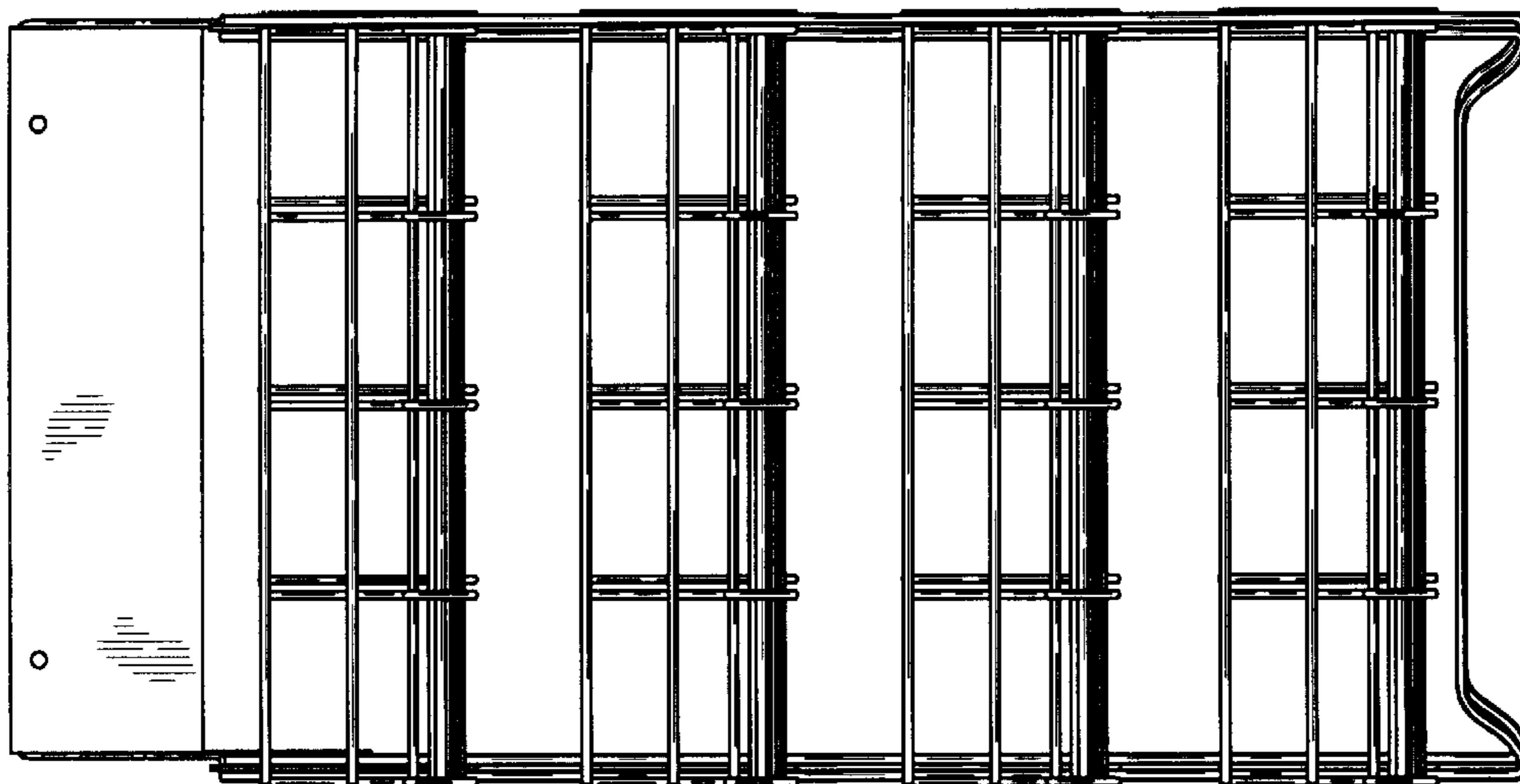


FIG. 2

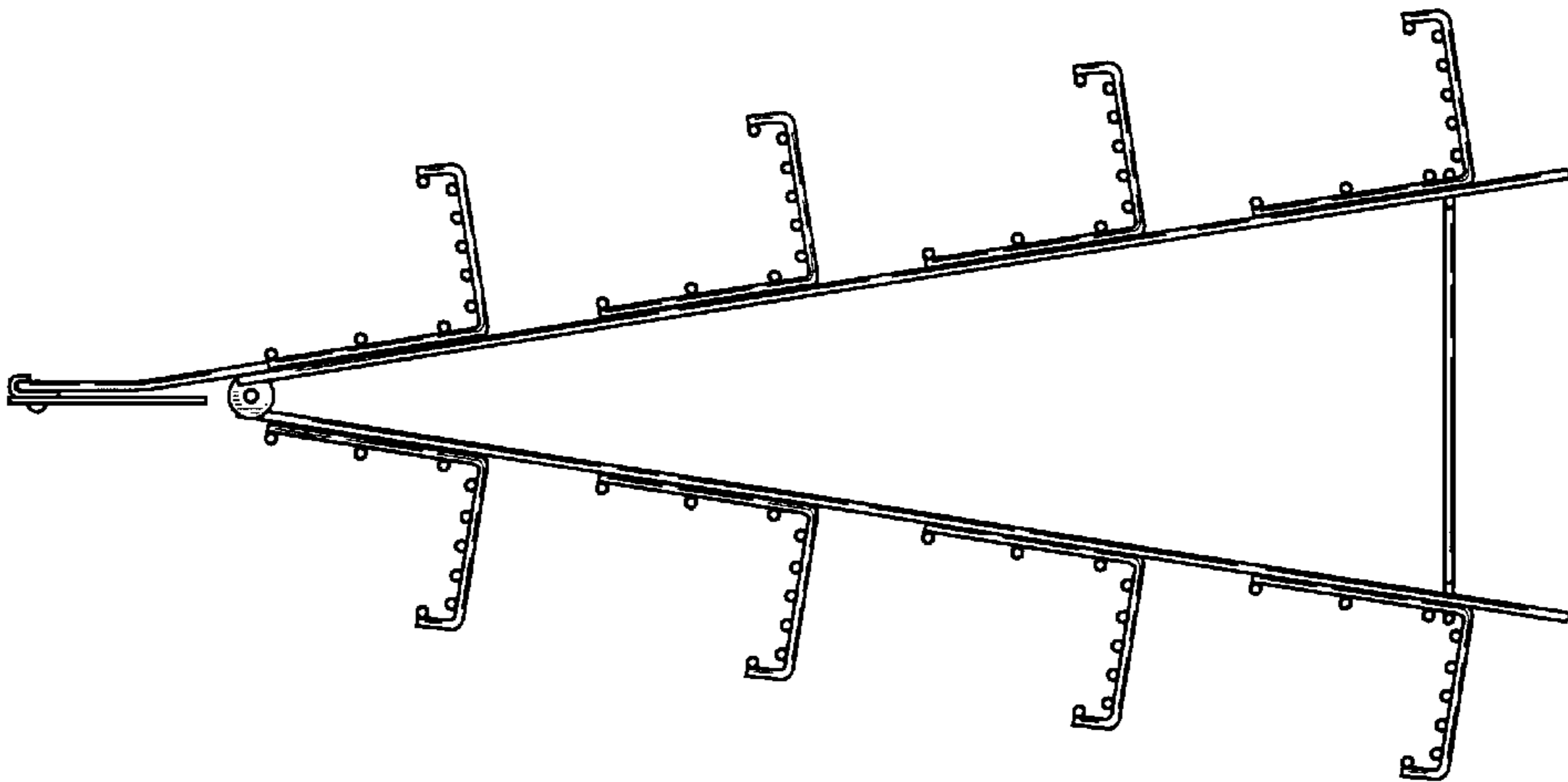


FIG. 5

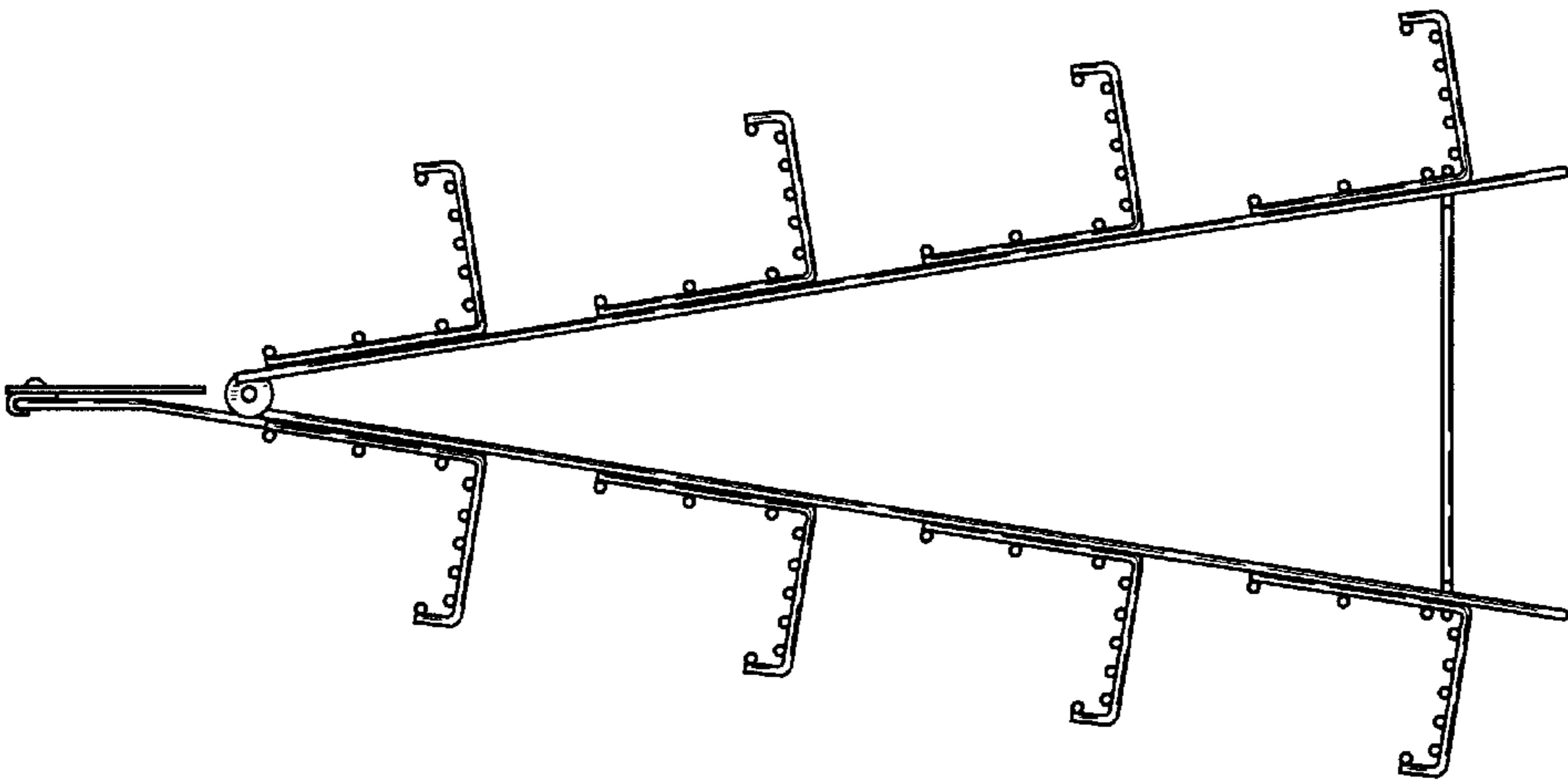


FIG. 4

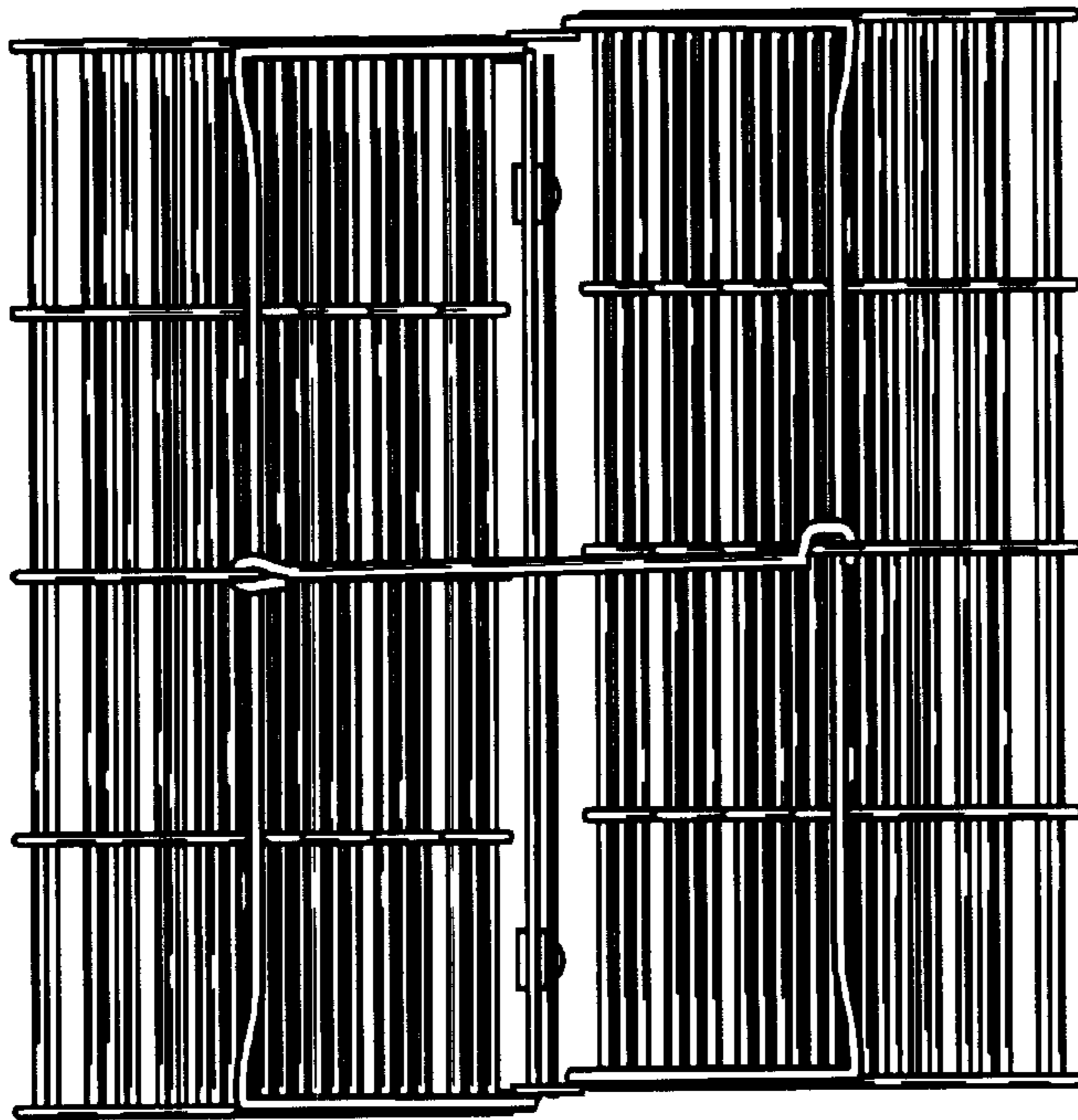


FIG. 7

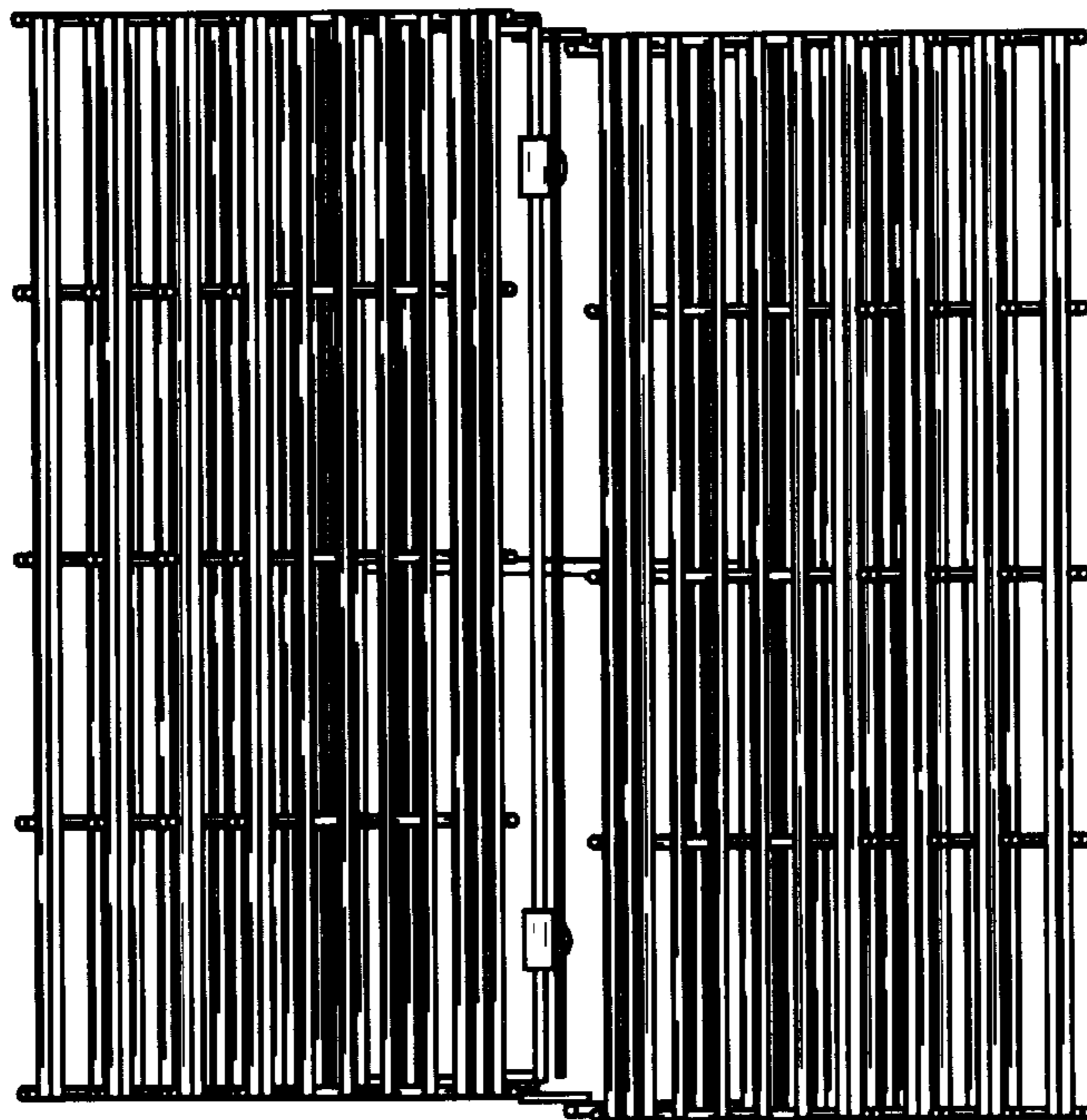


FIG. 6