



US00D515330S

(12) **United States Design Patent**
Lucci et al.

(10) **Patent No.:** **US D515,330 S**
(45) **Date of Patent:** **** Feb. 21, 2006**

(54) **CHAIR**

(75) Inventors: **Roberto Lucci**, Lomazzo (IT); **Paolo Orlandini**, Sedriano (IT)

(73) Assignee: **Borten S.R.L.**, Verona (IT)

(**) Term: **14 Years**

(21) Appl. No.: **29/204,276**

(22) Filed: **Apr. 28, 2004**

(30) **Foreign Application Priority Data**

Feb. 13, 2004 (EM) 0001447787

(51) **LOC (8) Cl.** **06-01**

(52) **U.S. Cl.** **D6/380**

(58) **Field of Classification Search** D6/334,
D6/335, 374, 376, 379, 380, 500-502; 297/445.1,
297/446.1

See application file for complete search history.

(56) **References Cited**

U.S. PATENT DOCUMENTS

1,233,625 A * 7/1917 Wanner, Jr. 297/446.1
D228,989 S * 11/1973 Furey D6/380

D259,841 S * 7/1981 Mioni D6/380
D332,531 S * 1/1993 Guion D6/379
D364,751 S * 12/1995 Keller D6/379
D372,598 S * 8/1996 Ungaro D6/380
D380,308 S * 7/1997 Diaz-Azcuy D6/380
D414,620 S * 10/1999 Kabadayan D6/380
D445,584 S * 7/2001 O'Hare et al. D6/379
D486,319 S * 2/2004 Stanton D6/379
D494,375 S * 8/2004 Starck D6/374
D497,729 S * 11/2004 Peitz et al. D6/379

* cited by examiner

Primary Examiner—Mimosa De

(74) *Attorney, Agent, or Firm*—Hogan & Hartson LLP

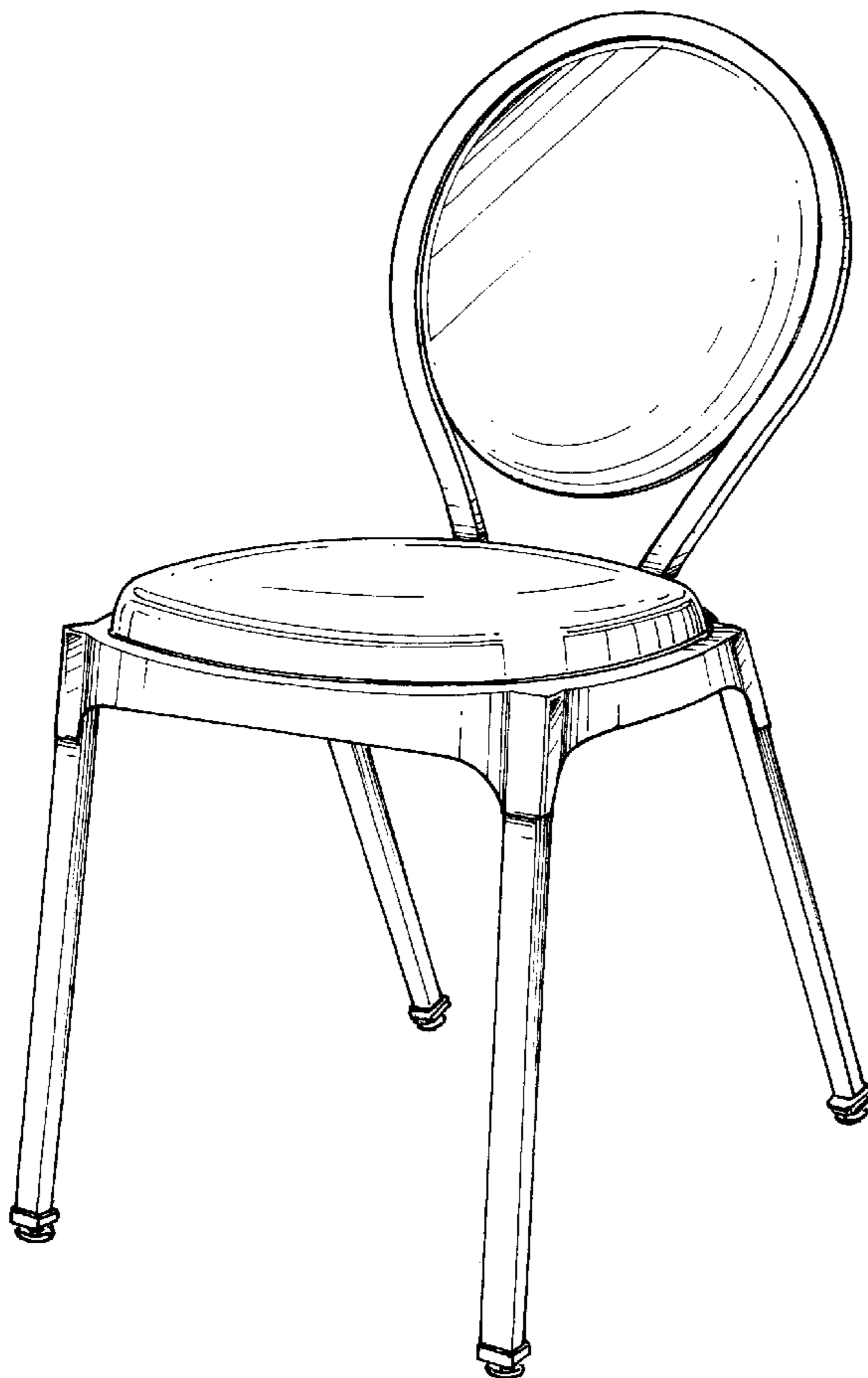
(57) **CLAIM**

The ornamental design for a chair, as shown and described.

DESCRIPTION

FIG. 1 is a perspective view of the chair;
FIG. 2 is a front view of the chair;
FIG. 3 is a back view of the chair;
FIG. 4 is a first side view of the chair;
FIG. 5 is a second side view of the chair;
FIG. 6 is a top view of the chair; and,
FIG. 7 is a bottom view of the chair.

1 Claim, 4 Drawing Sheets



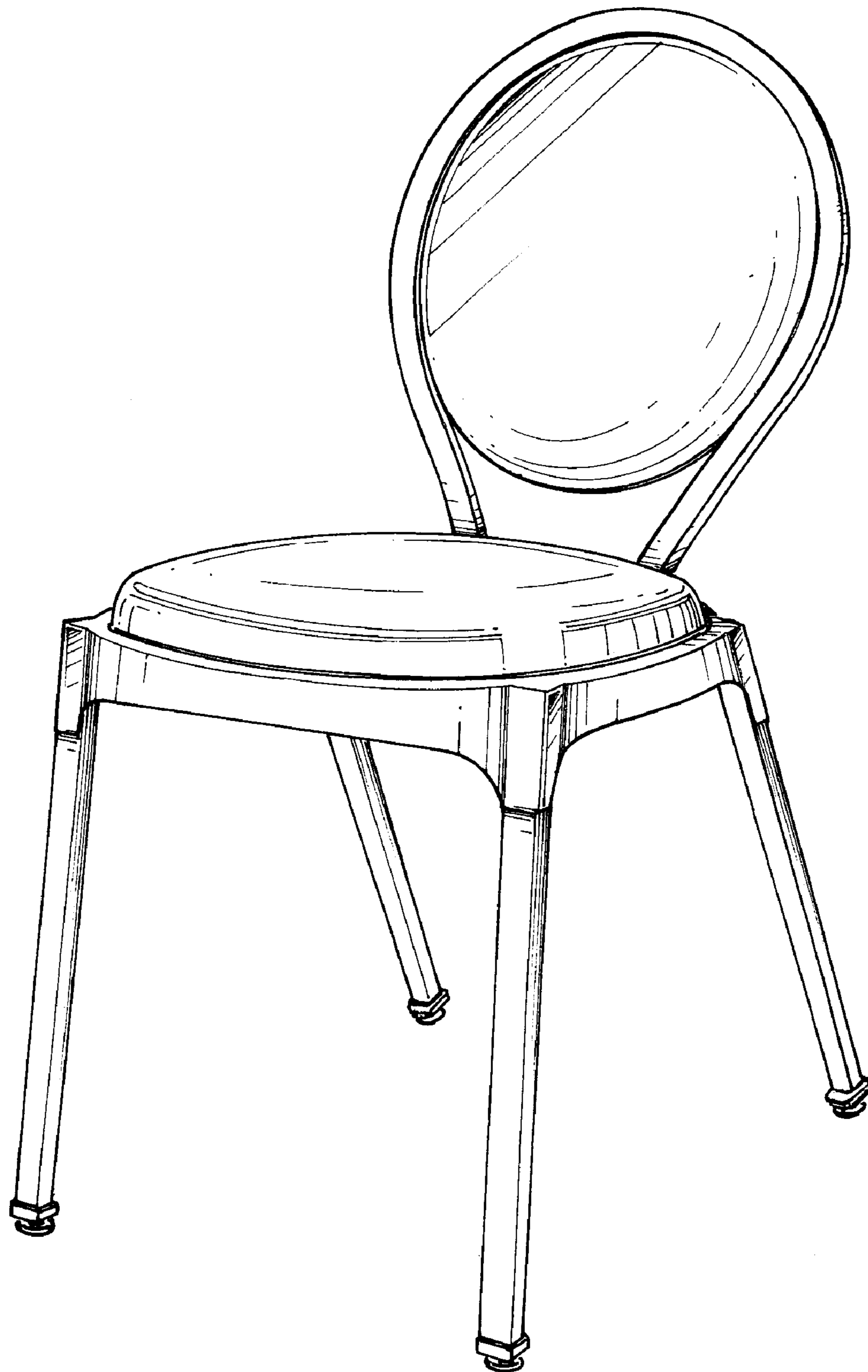


FIG. 1

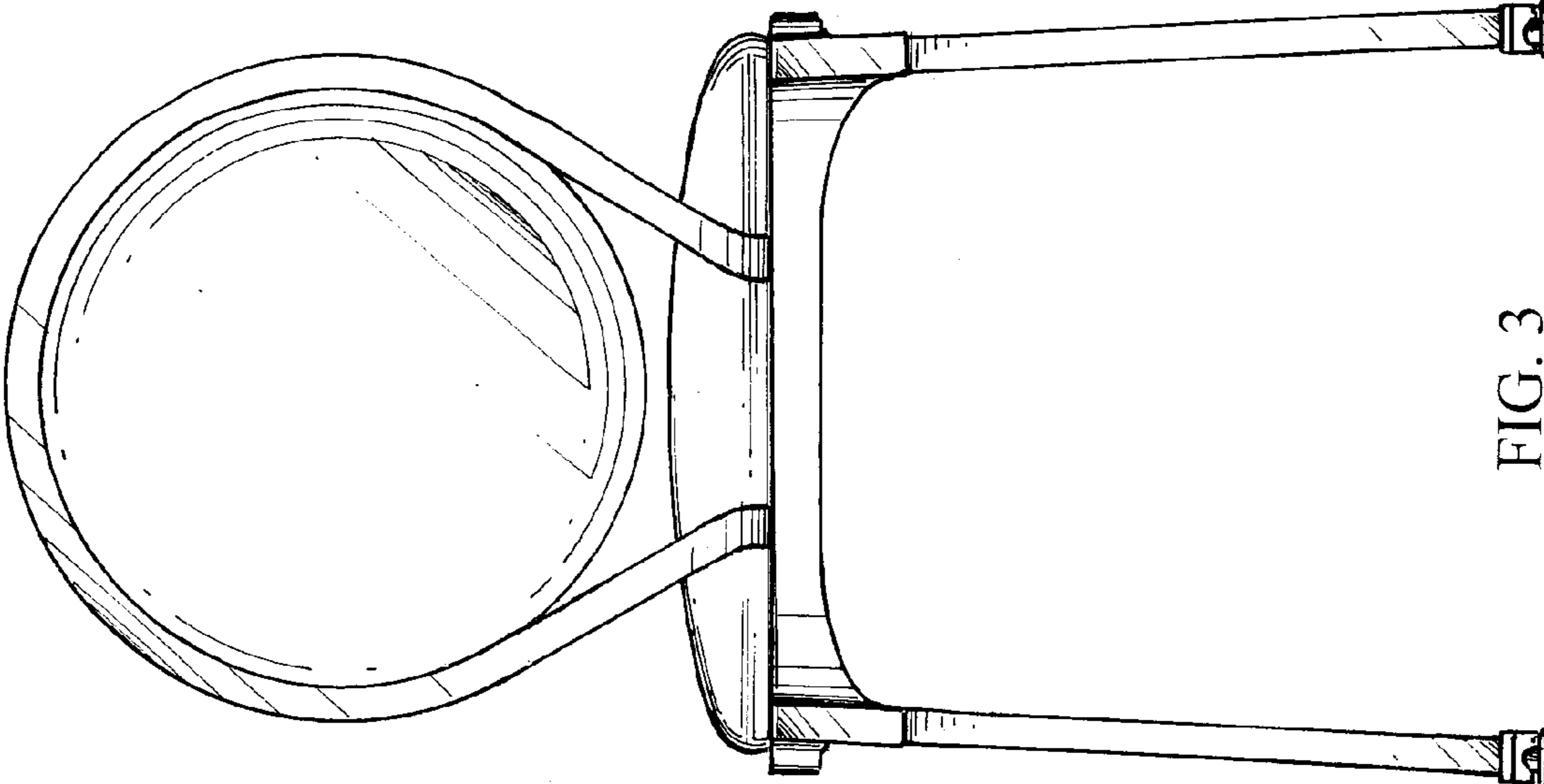


FIG. 3

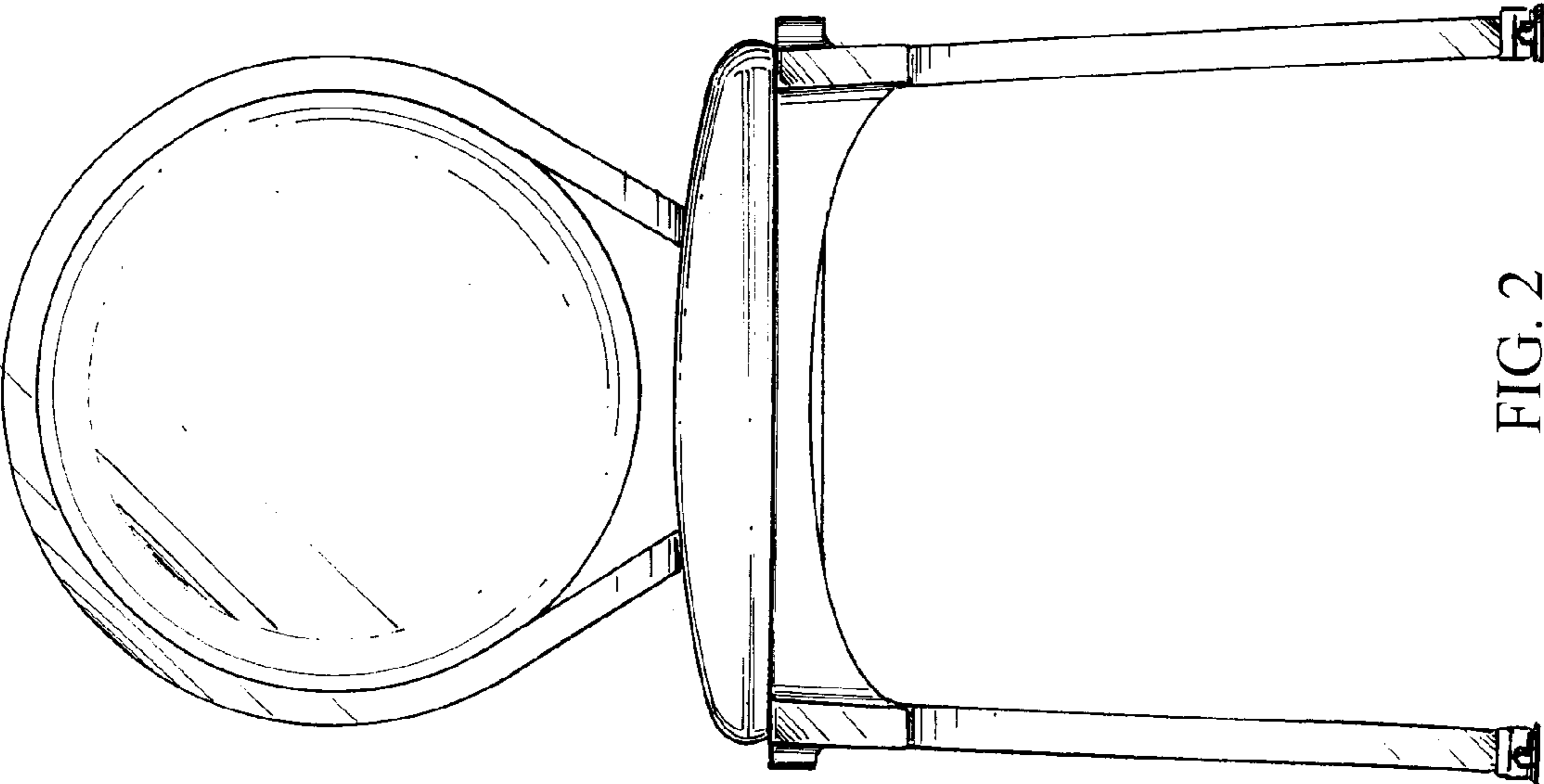


FIG. 2

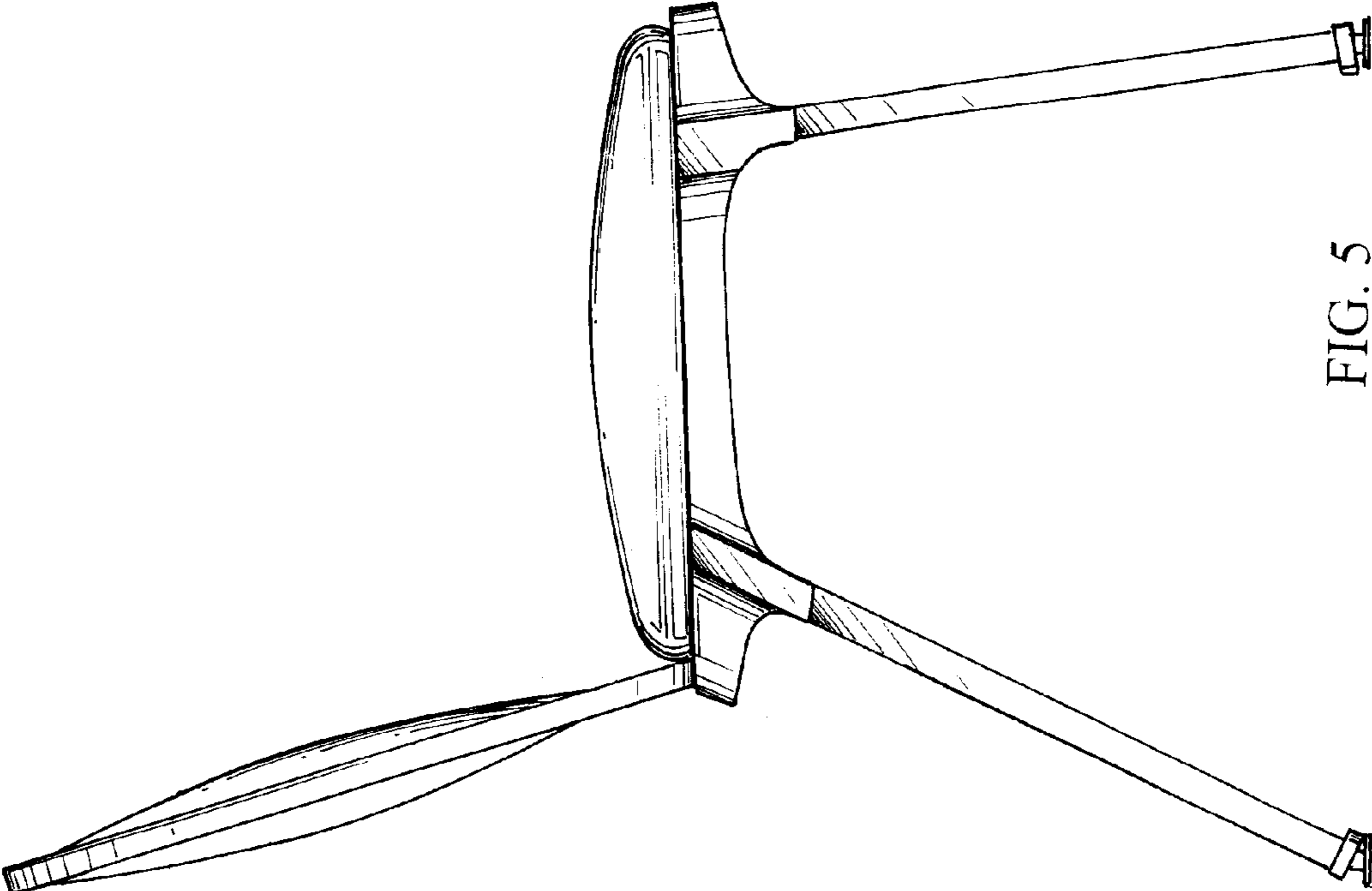


FIG. 5

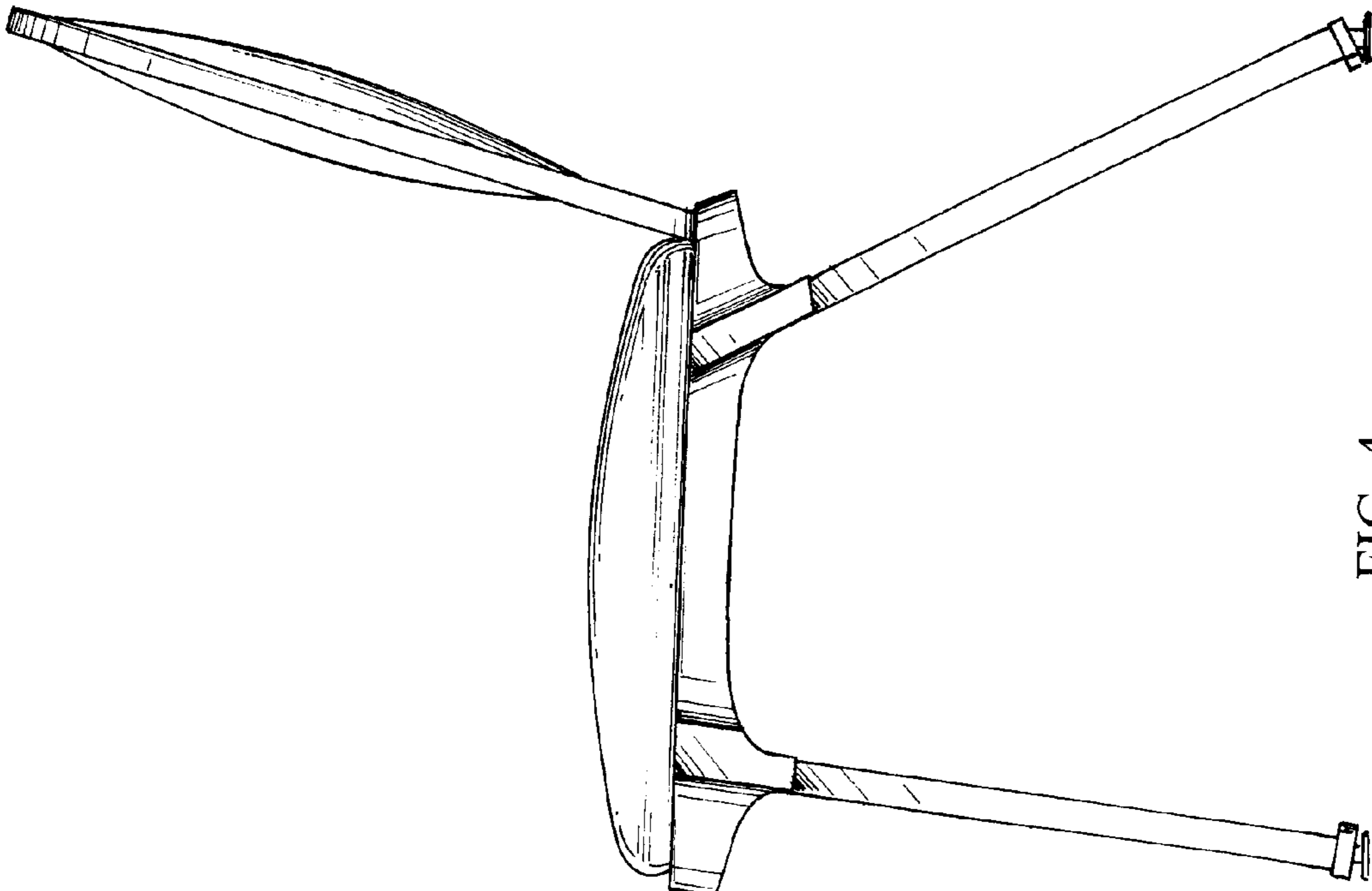


FIG. 4

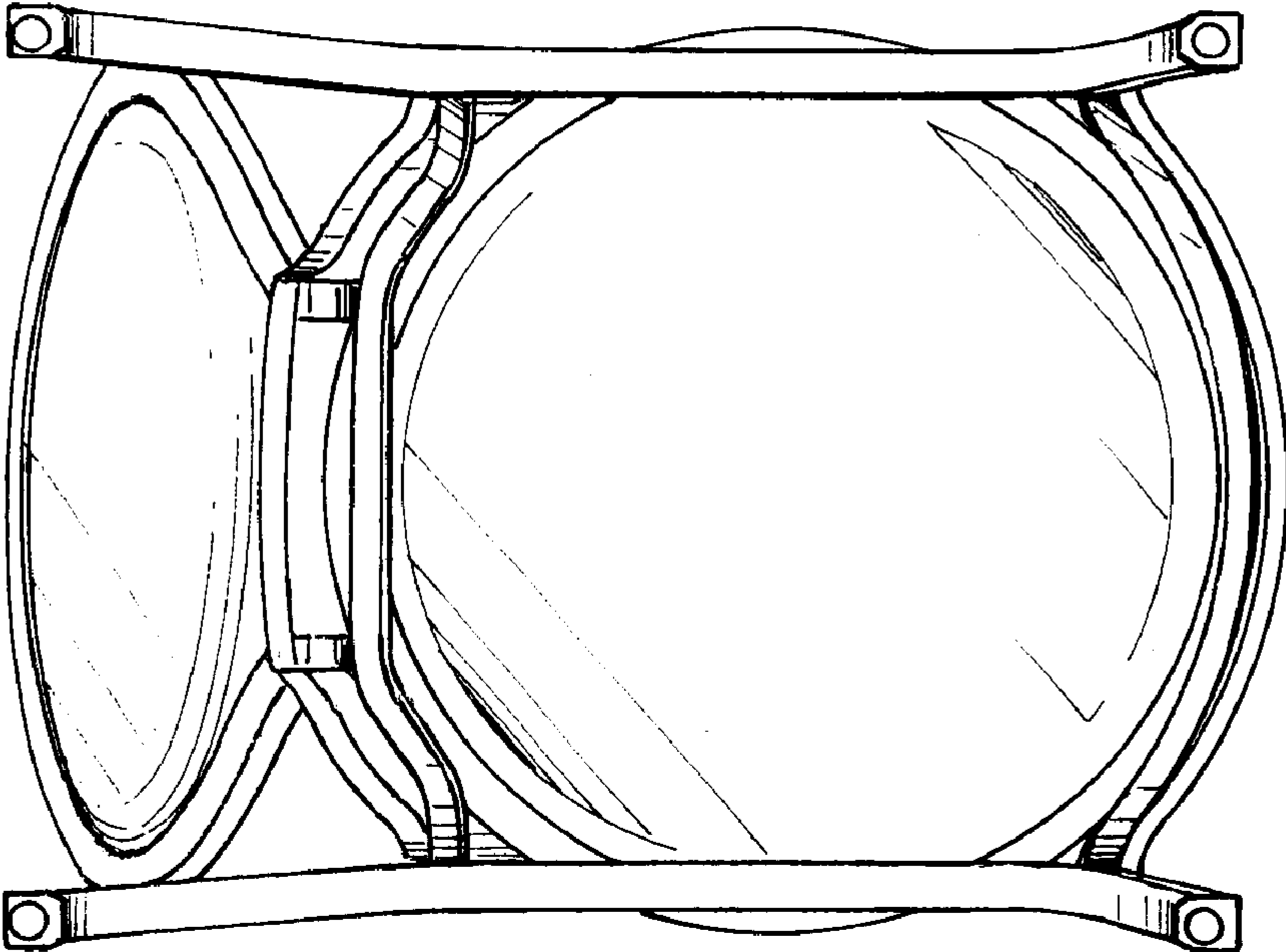


FIG. 7

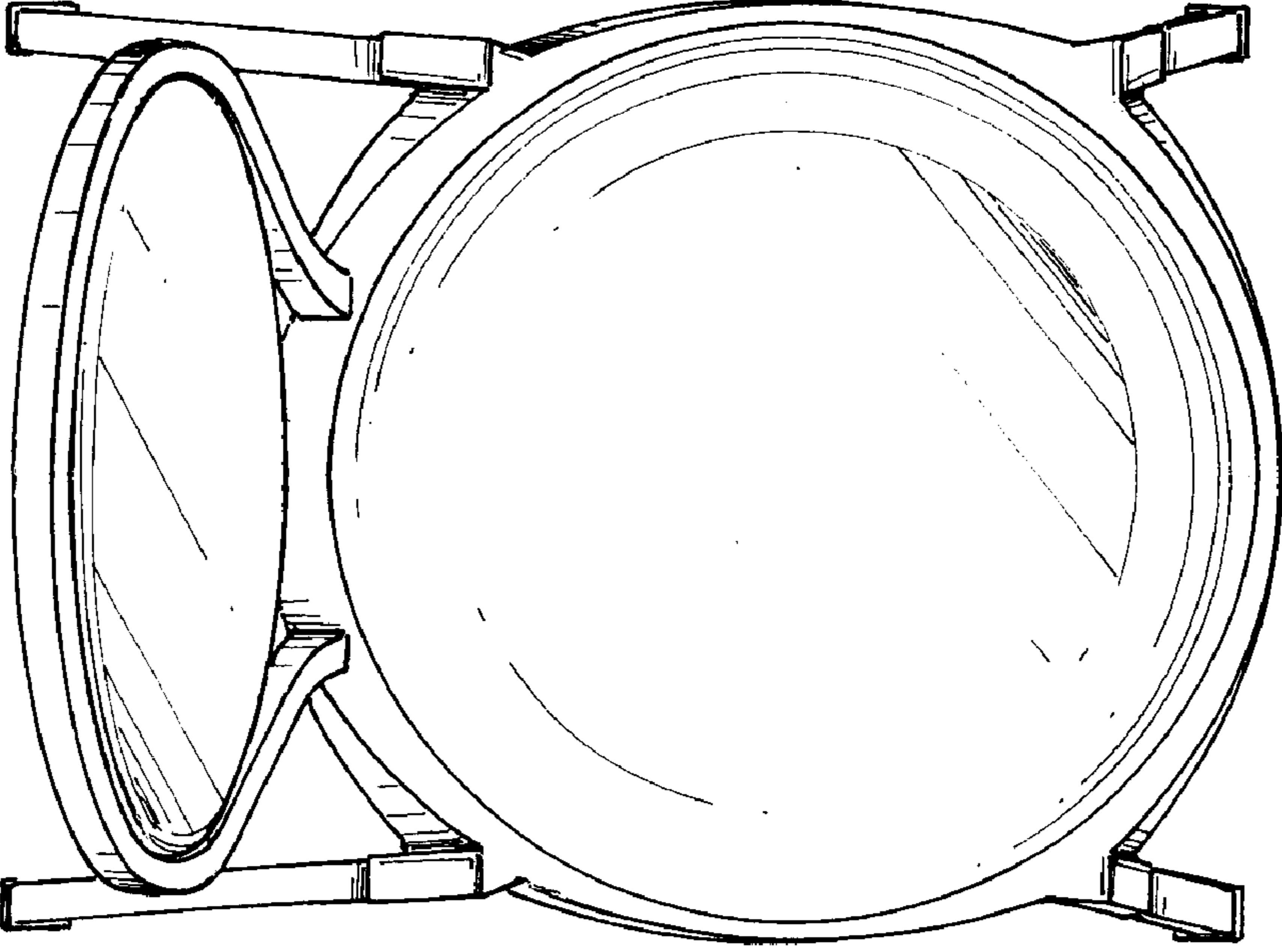


FIG. 6