



US00D515329S

(12) **United States Design Patent**
Mohundro

(10) **Patent No.:** **US D515,329 S**
(45) **Date of Patent:** **** Feb. 21, 2006**

(54) **LIVING ROOM CHAIR**
(75) **Inventor:** **James Glenn Mohundro, Taichung (TW)**
(73) **Assignee:** **Pacific Marketing International (H.K.), Ltd., Taichung (TW)**
(**) **Term:** **14 Years**

D419,322 S * 1/2000 Muller D6/379
D419,324 S * 1/2000 Muller D6/370
D420,825 S * 2/2000 Lin D6/380
D421,853 S * 3/2000 Black D6/369
D453,426 S * 2/2002 Juhasz D6/379
D457,341 S * 5/2002 Muller D6/379
D459,904 S * 7/2002 Hutton D6/381
D498,938 S * 11/2004 Kingsley et al. D6/379

* cited by examiner

(21) **Appl. No.:** **29/213,672**
(22) **Filed:** **Sep. 22, 2004**

Primary Examiner—Mimosa De
(74) *Attorney, Agent, or Firm*—Rosenberg, Klein & Lee

(51) **LOC (8) Cl.** **06-01**
(52) **U.S. Cl.** **D6/379; D6/374**
(58) **Field of Classification Search** D6/334,
D6/335, 369, 370, 374, 375, 379, 380, 381,
D6/500-502; 297/445.1, 446.1, 452.63
See application file for complete search history.

(57) **CLAIM**

The ornamental design for a living room chair, as shown and described.

(56) **References Cited**

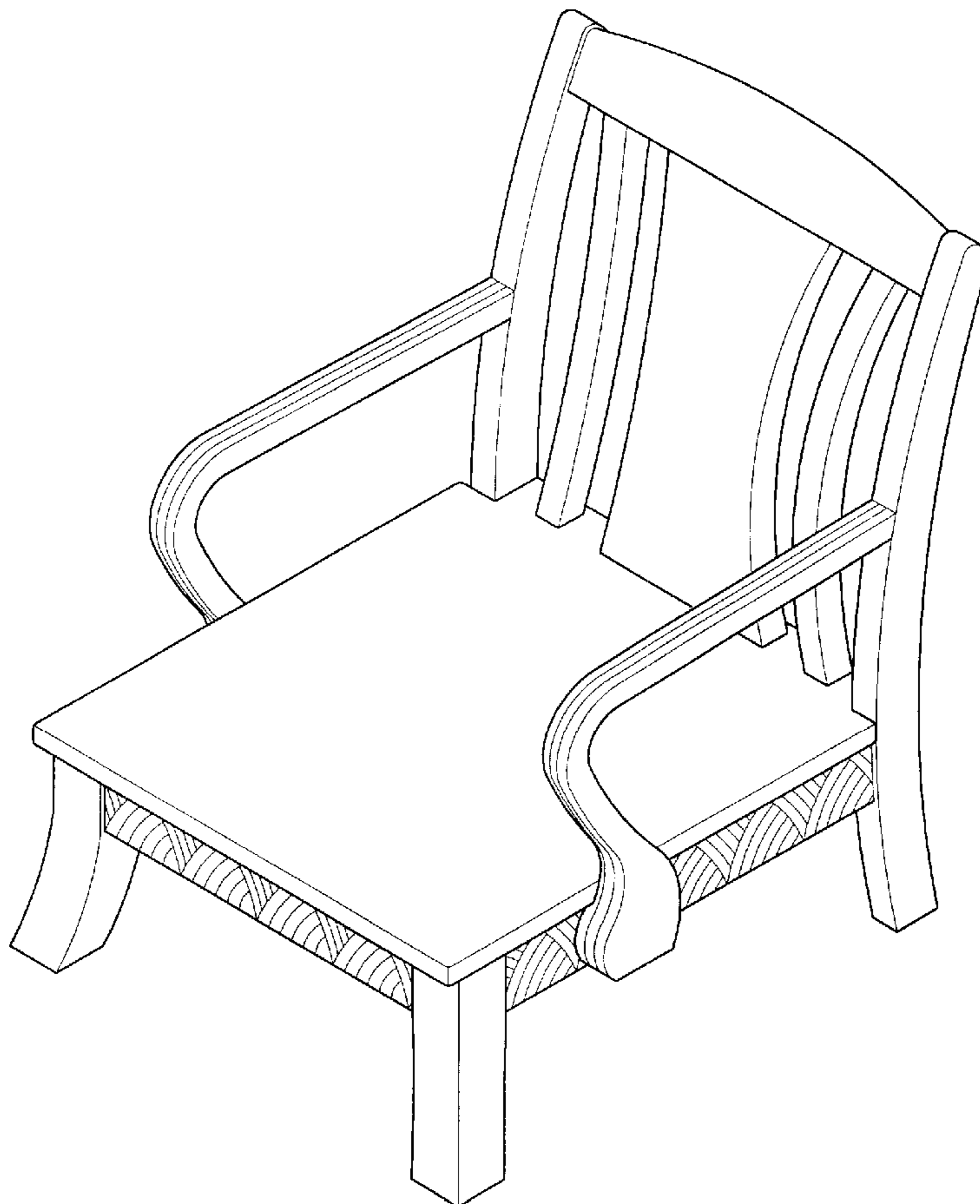
U.S. PATENT DOCUMENTS

D74,384 S * 2/1928 Nahon D6/379
D264,901 S * 6/1982 Friedman D6/381
D264,902 S * 6/1982 Friedman D6/381
D340,146 S * 10/1993 Caldwell D6/370
D376,051 S * 12/1996 Lewis D6/334

DESCRIPTION

FIG. 1 is a front perspective view of a living room chair, showing my new design;
FIG. 2 is a reduced front elevational view thereof;
FIG. 3 is a reduced rear elevational view thereof;
FIG. 4 is a reduced left elevational view thereof; and
FIG. 5 is a reduced right elevational view thereof;
FIG. 6 is a reduced top plan view thereof; and,
FIG. 7 is a reduced bottom plan view thereof.

1 Claim, 7 Drawing Sheets



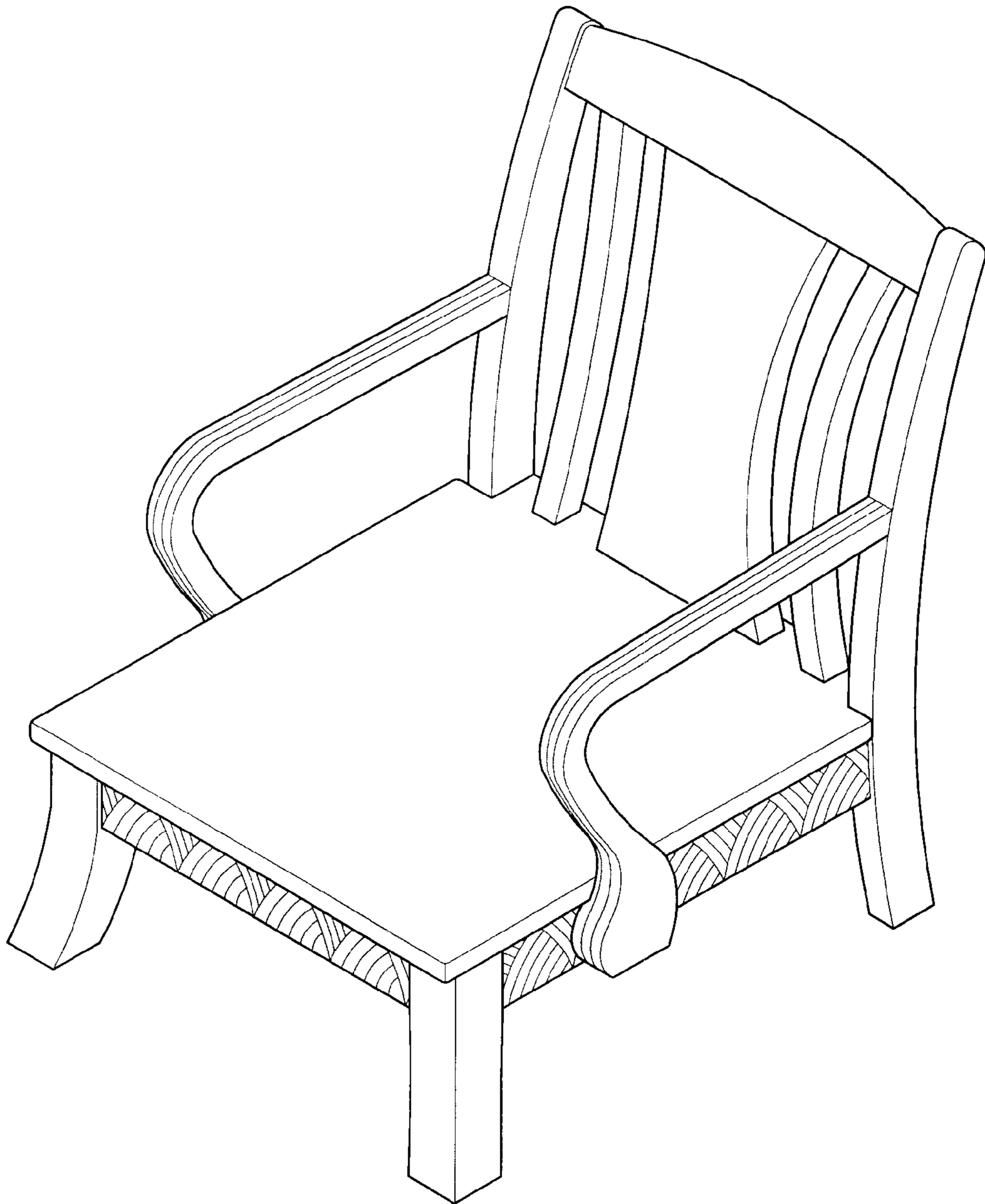


FIG.1

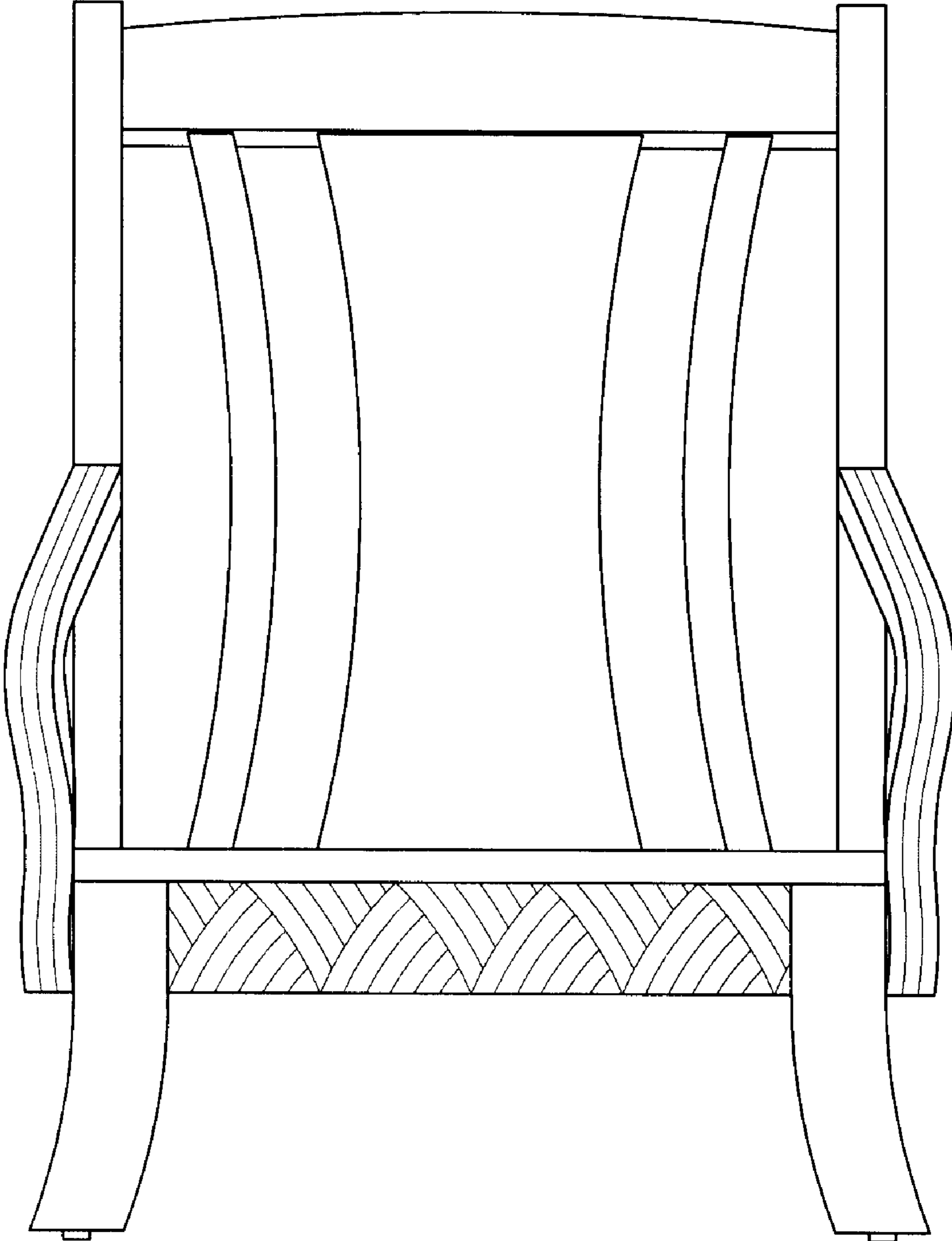


FIG. 2

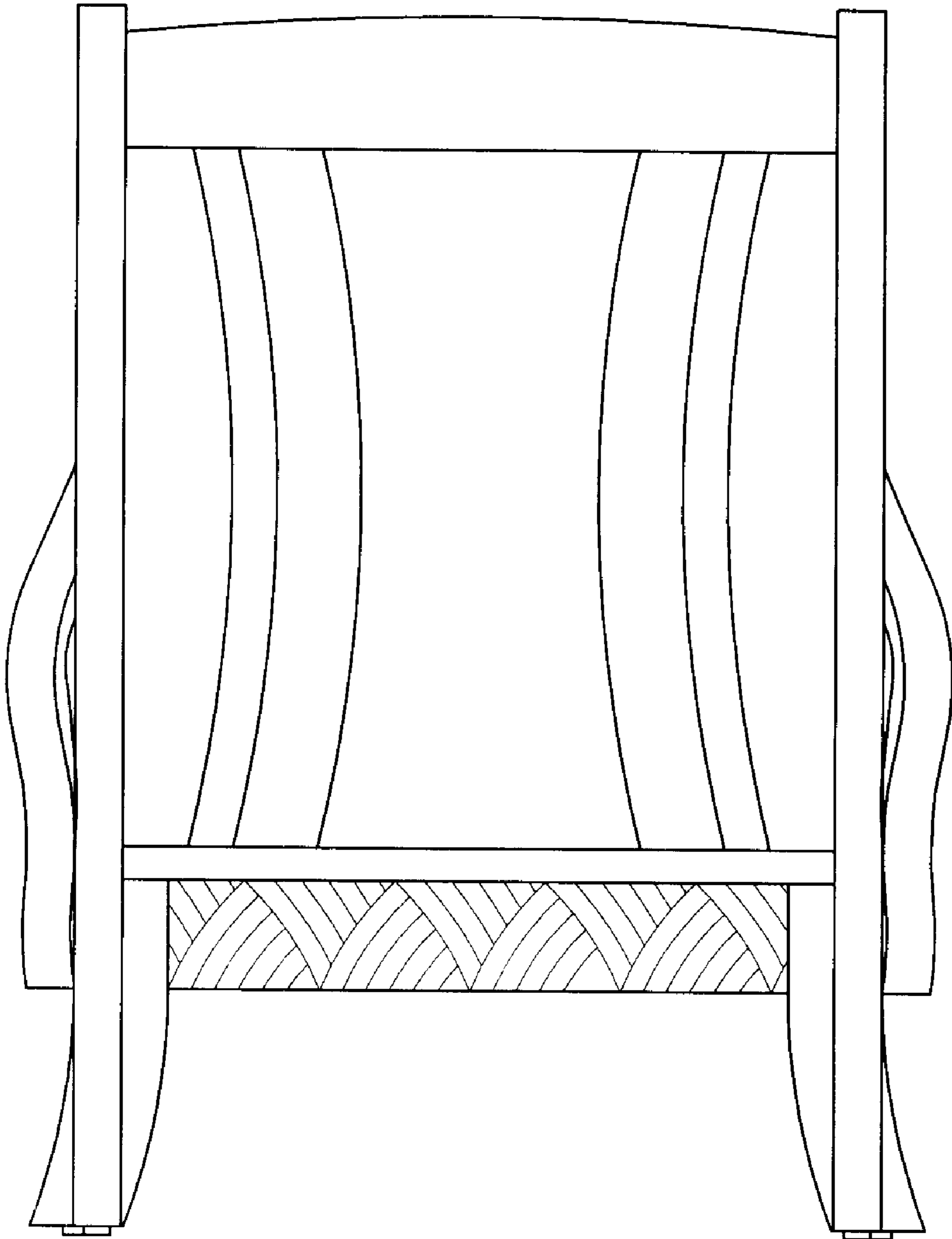


FIG. 3

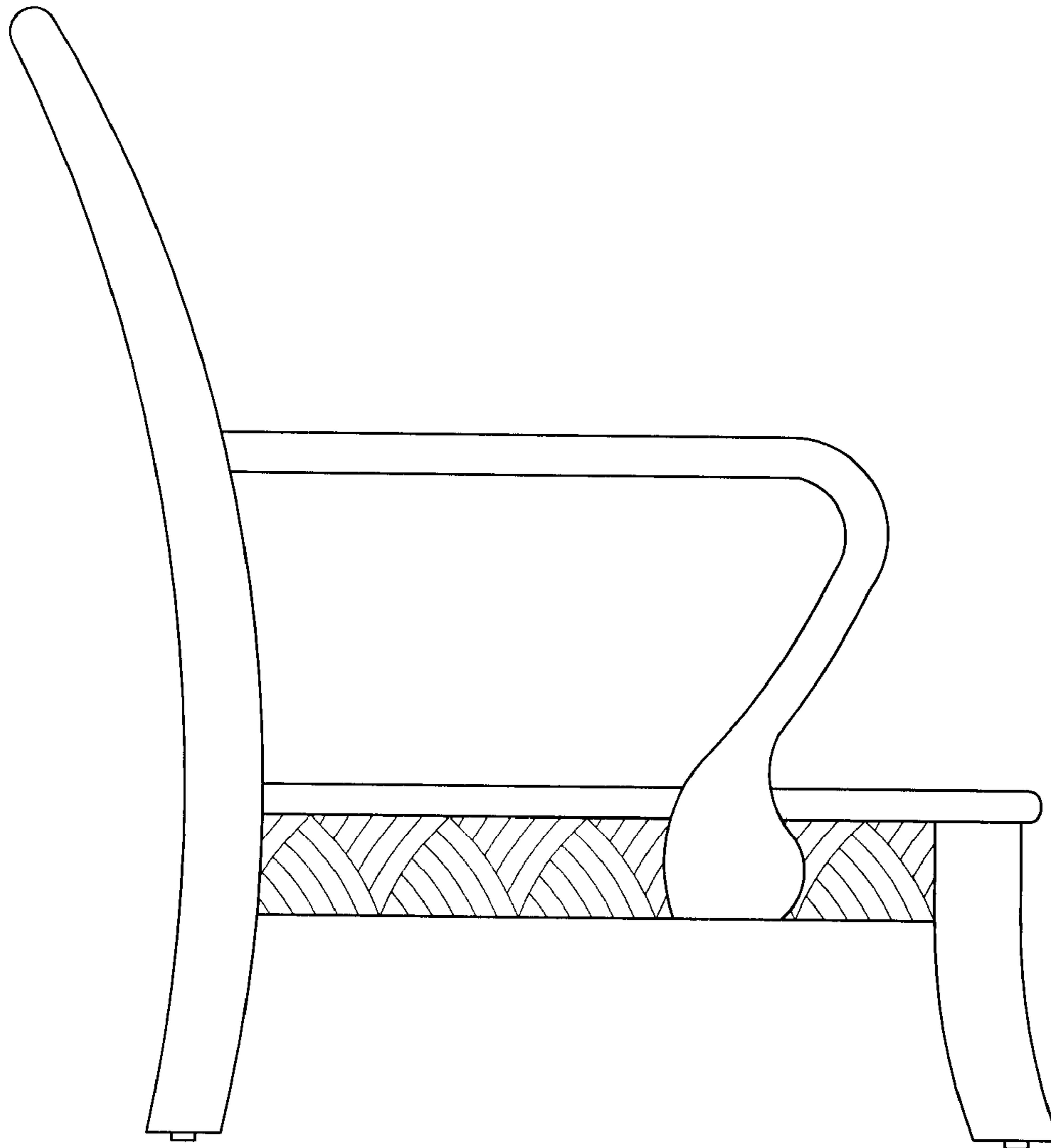


FIG. 4

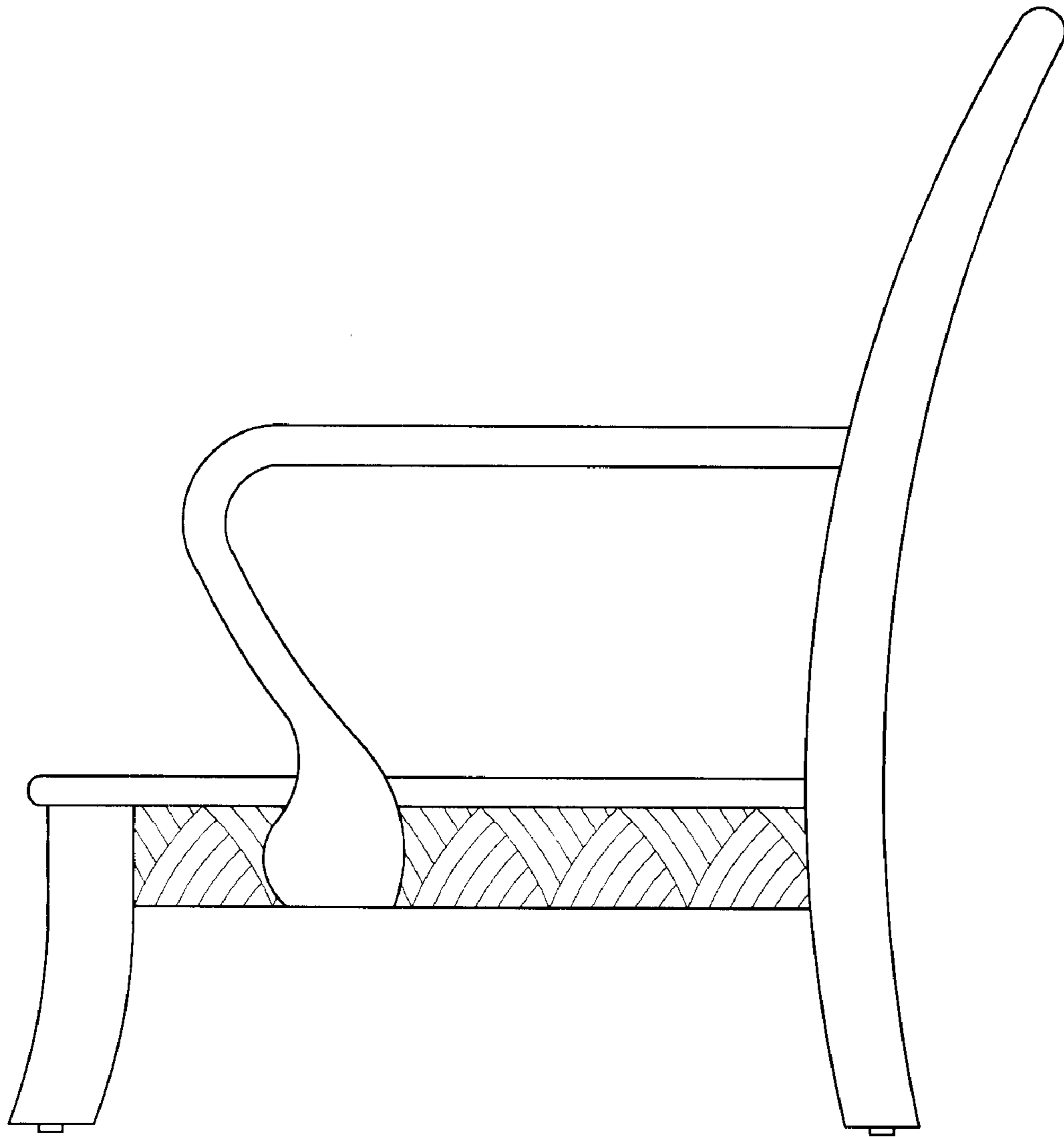


FIG.5

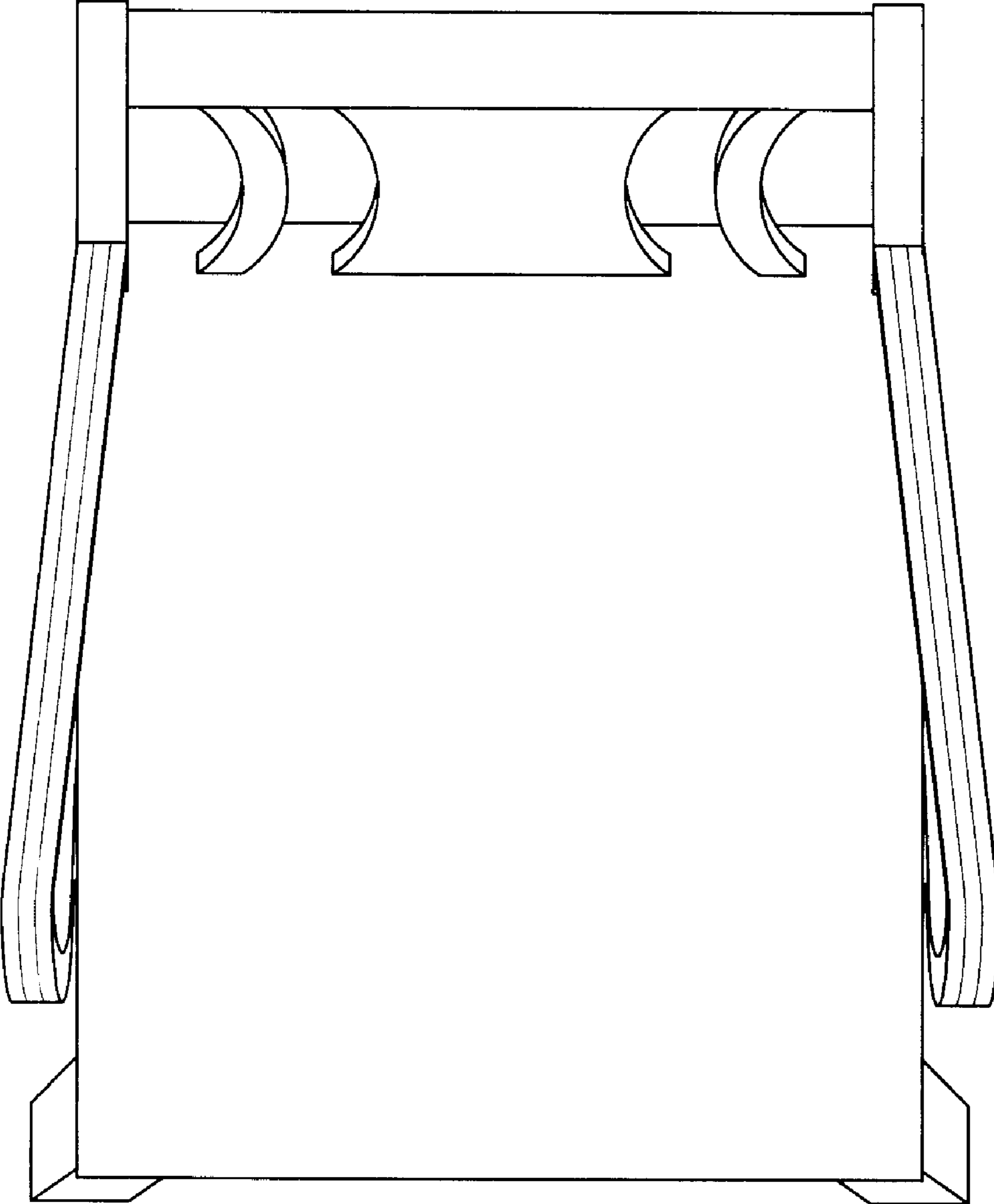


FIG.6

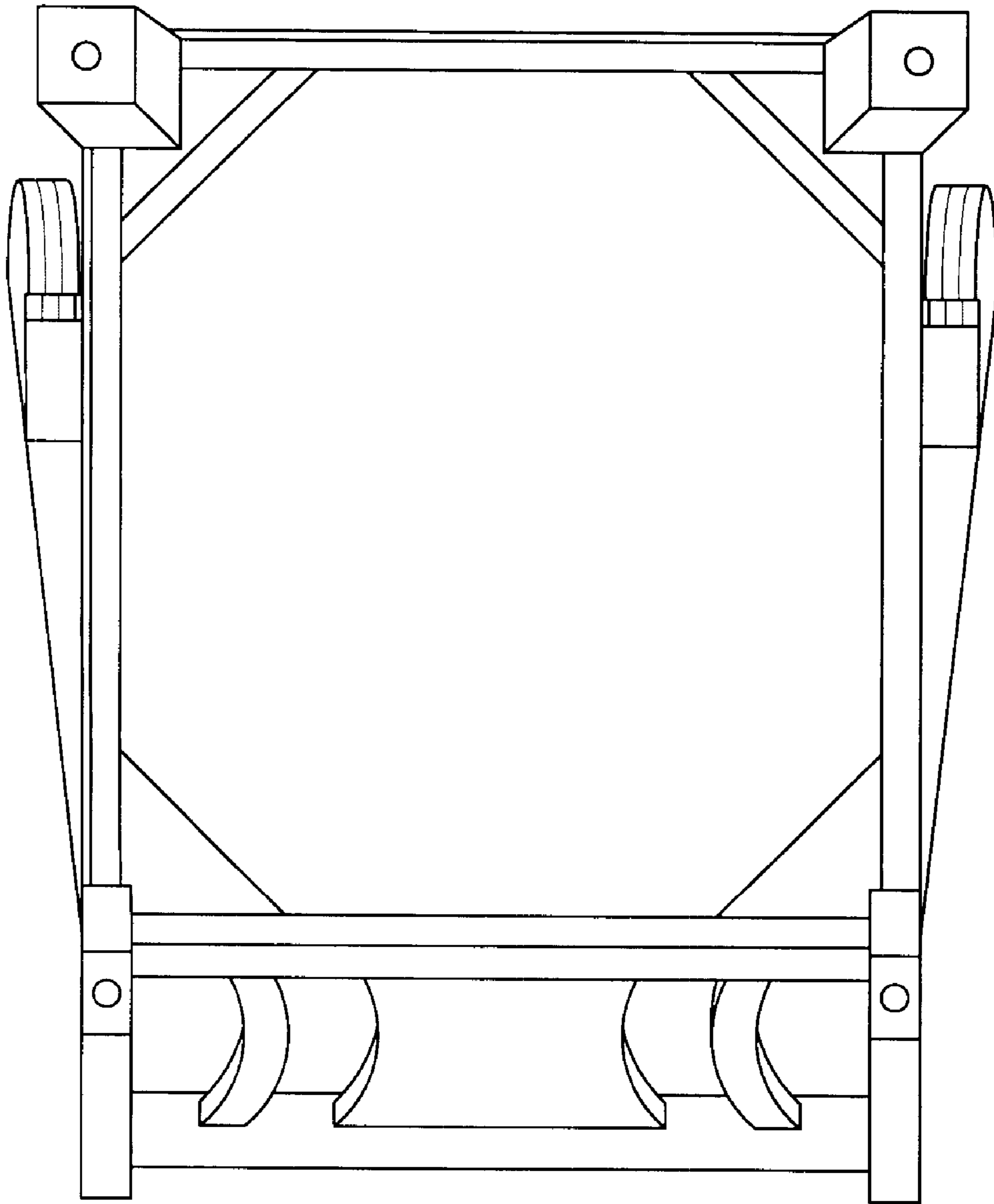


FIG. 7