



US00D515325S

(12) **United States Design Patent**
Goldman

(10) **Patent No.:** **US D515,325 S**

(45) **Date of Patent:** **** Feb. 21, 2006**

(54) **CHAIR**

(76) **Inventor:** **Marjorie Goldman**, 161 Aragon Ave.,
Coral Gables, FL (US) 33134

(**) **Term:** **14 Years**

(21) **Appl. No.:** **29/178,962**

(22) **Filed:** **Apr. 3, 2003**

(51) **LOC (8) Cl.** **06-01**

(52) **U.S. Cl.** **D6/375**

(58) **Field of Classification Search** D6/334,
D6/335, 369, 370, 374, 375, 376, 380, 502;
297/455.1, 446.1, 325

See application file for complete search history.

(56) **References Cited**

U.S. PATENT DOCUMENTS

54,863	A	*	5/1866	Cochran	297/446.1
92,758	A	*	7/1869	Smith	297/325
2,364,050	A	*	12/1944	Benson	297/445.1
D147,615	S	*	10/1947	Eames	D6/374
D193,708	S	*	10/1962	Keown	D6/375
D195,256	S	*	5/1963	Andersen et al.	D6/374
D205,658	S	*	9/1966	Muller	D6/374
D229,258	S	*	11/1973	Svensson	D6/379
D334,296	S		3/1993	Hutton		
D355,985	S		3/1995	Karten et al.		
D419,321	S		1/2000	Rhienen		

D478,430	S	*	8/2003	Olson	D6/380
D498,069	S	*	11/2004	Kreiss	D6/380

OTHER PUBLICATIONS

Chair of Harden Furniture, p. 104, Furniture Today, Apr. 3, 2000.*

* cited by examiner

Primary Examiner—Mimosa De

(74) *Attorney, Agent, or Firm*—Richard C. Litman

(57) **CLAIM**

The ornamental design for a chair, as shown and described.

DESCRIPTION

FIG. 1 is a perspective view of a first embodiment of a chair showing my new design;

FIG. 2 is a front elevational view thereof;

FIG. 3 is a rear elevational view thereof;

FIG. 4 is a right side elevational view with the left side being a mirror image thereof;

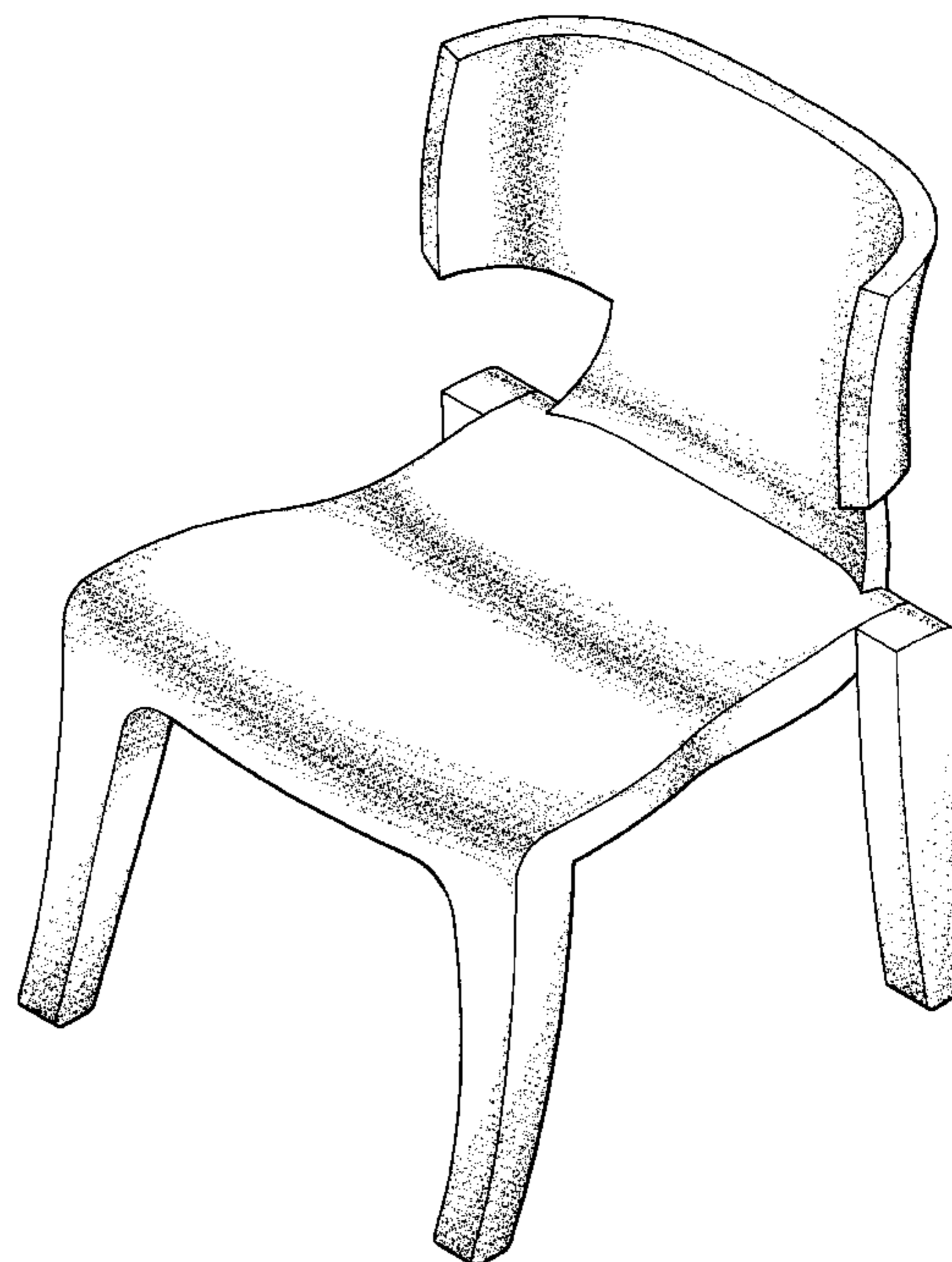
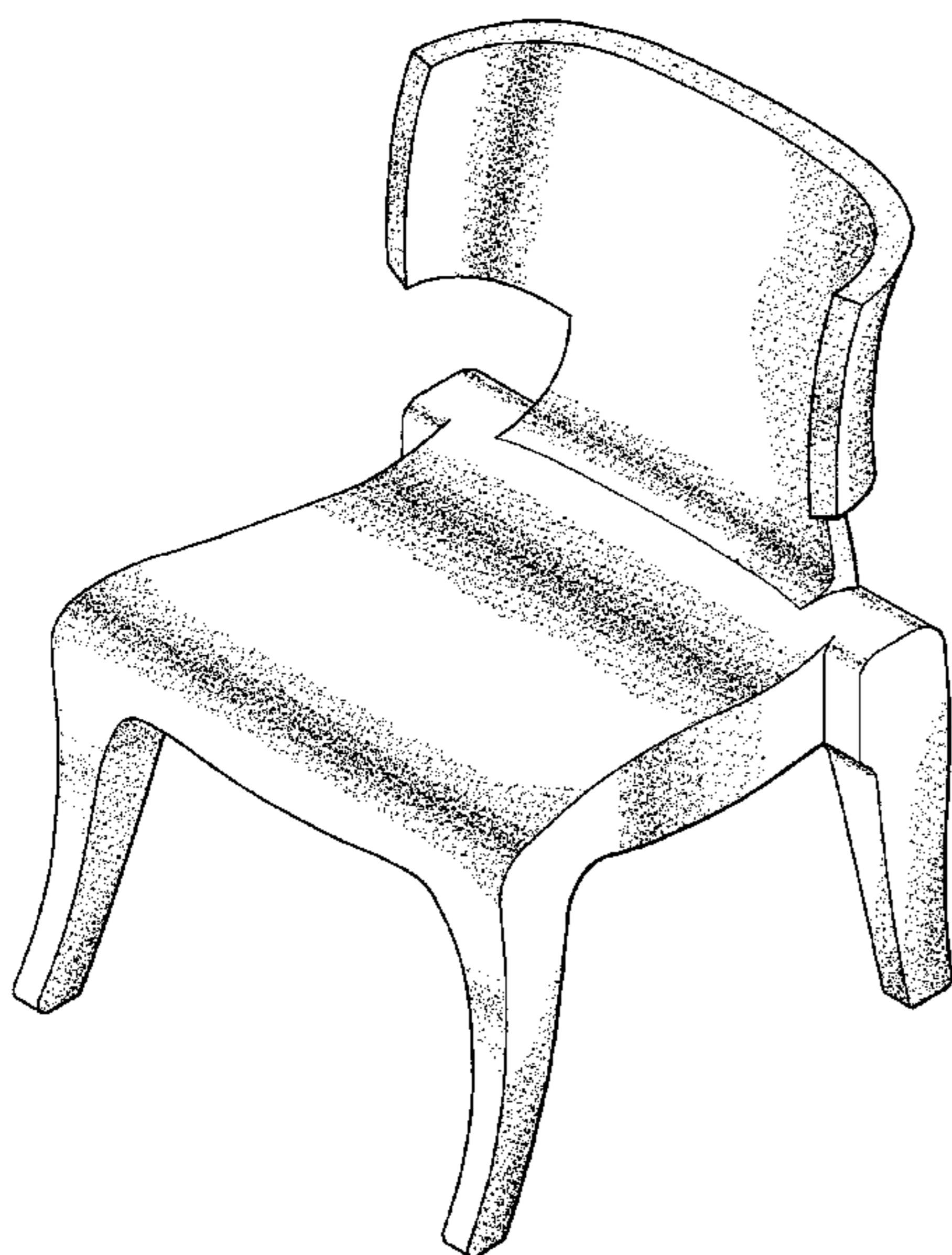
FIG. 5 is a perspective view of a second embodiment thereof;

FIG. 6 is a front elevational view thereof;

FIG. 7 is a rear elevational view thereof; and,

FIG. 8 is a right side elevational view with the left side being a mirror image thereof.

1 Claim, 8 Drawing Sheets



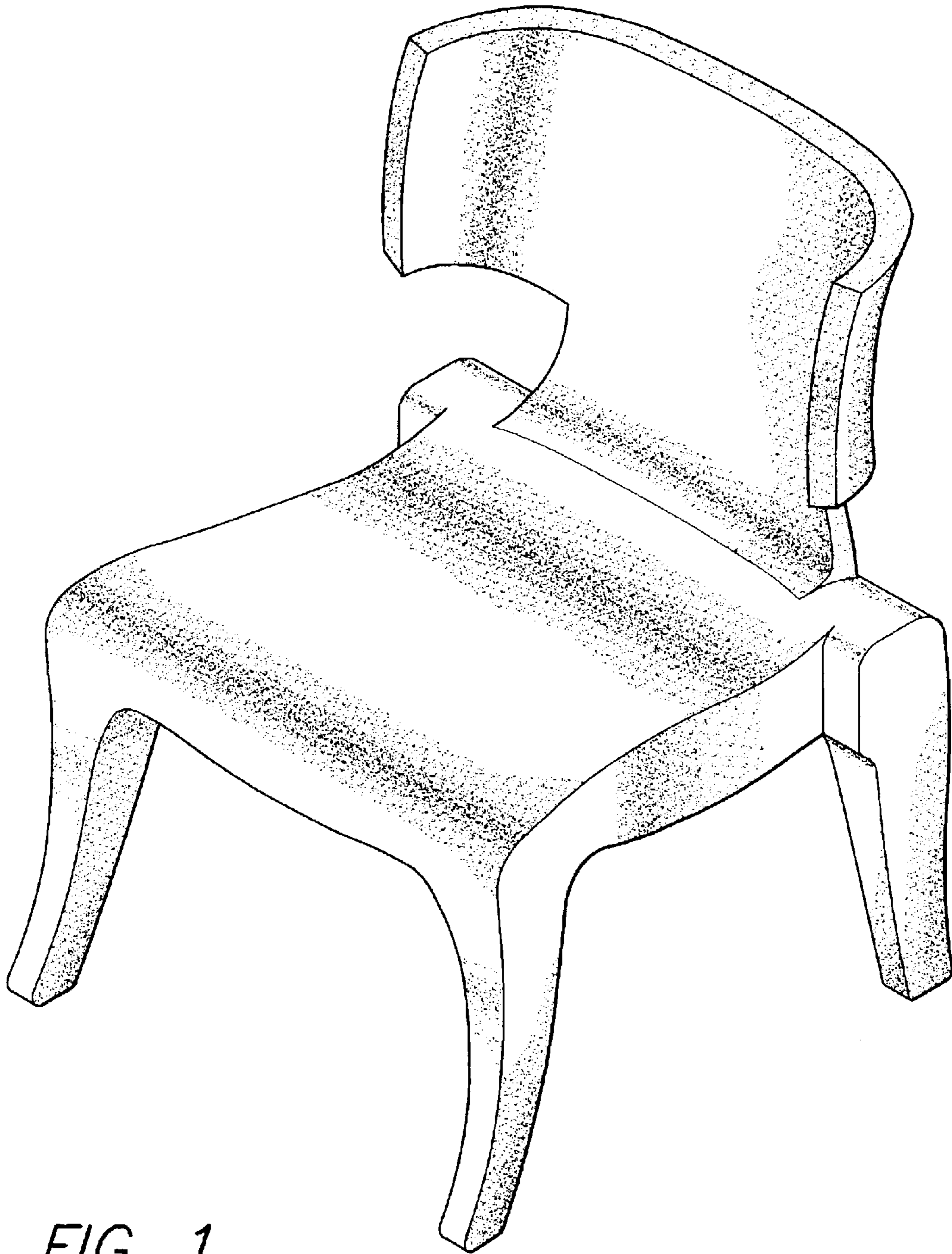


FIG. 1

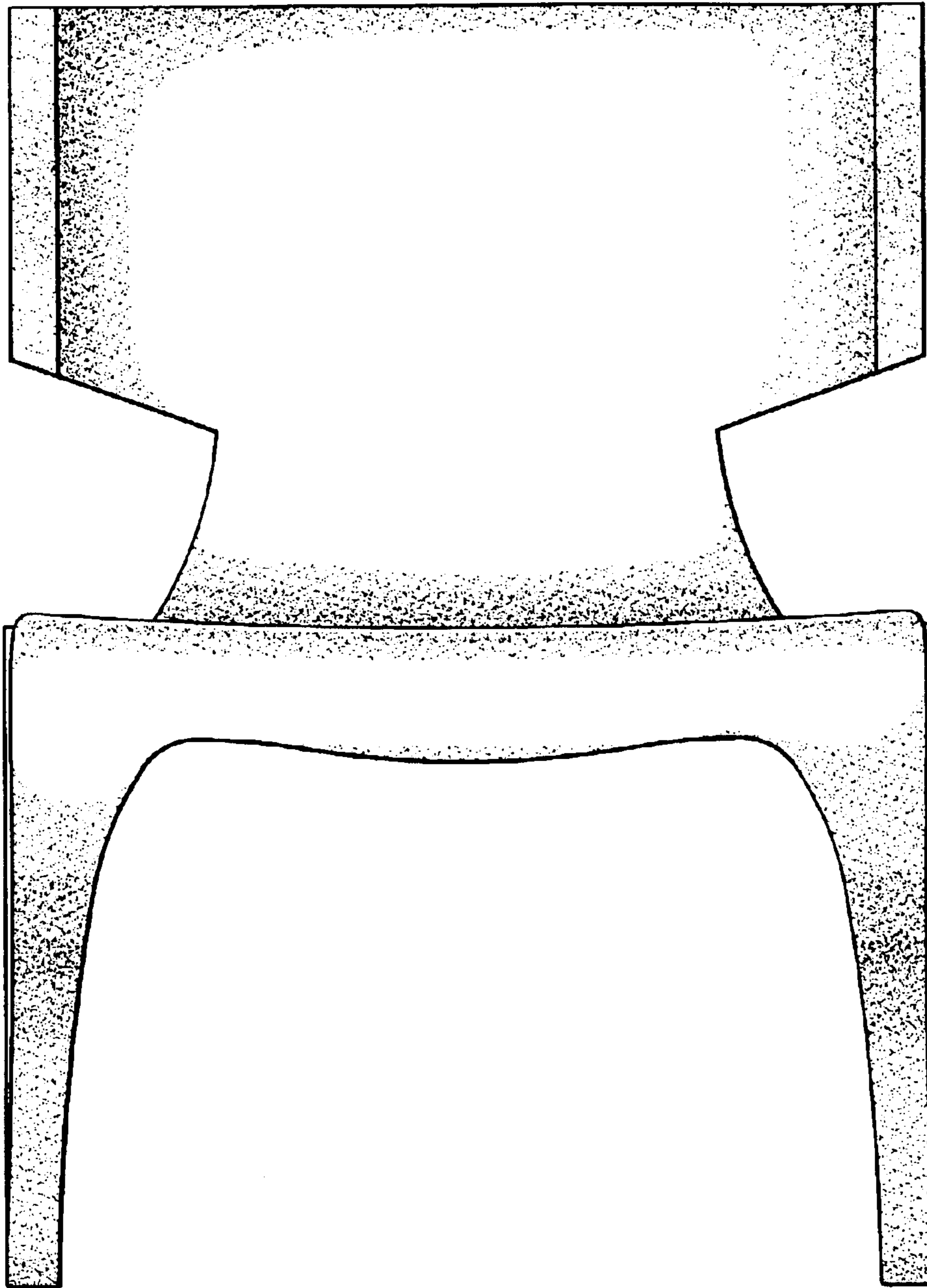


FIG. 2

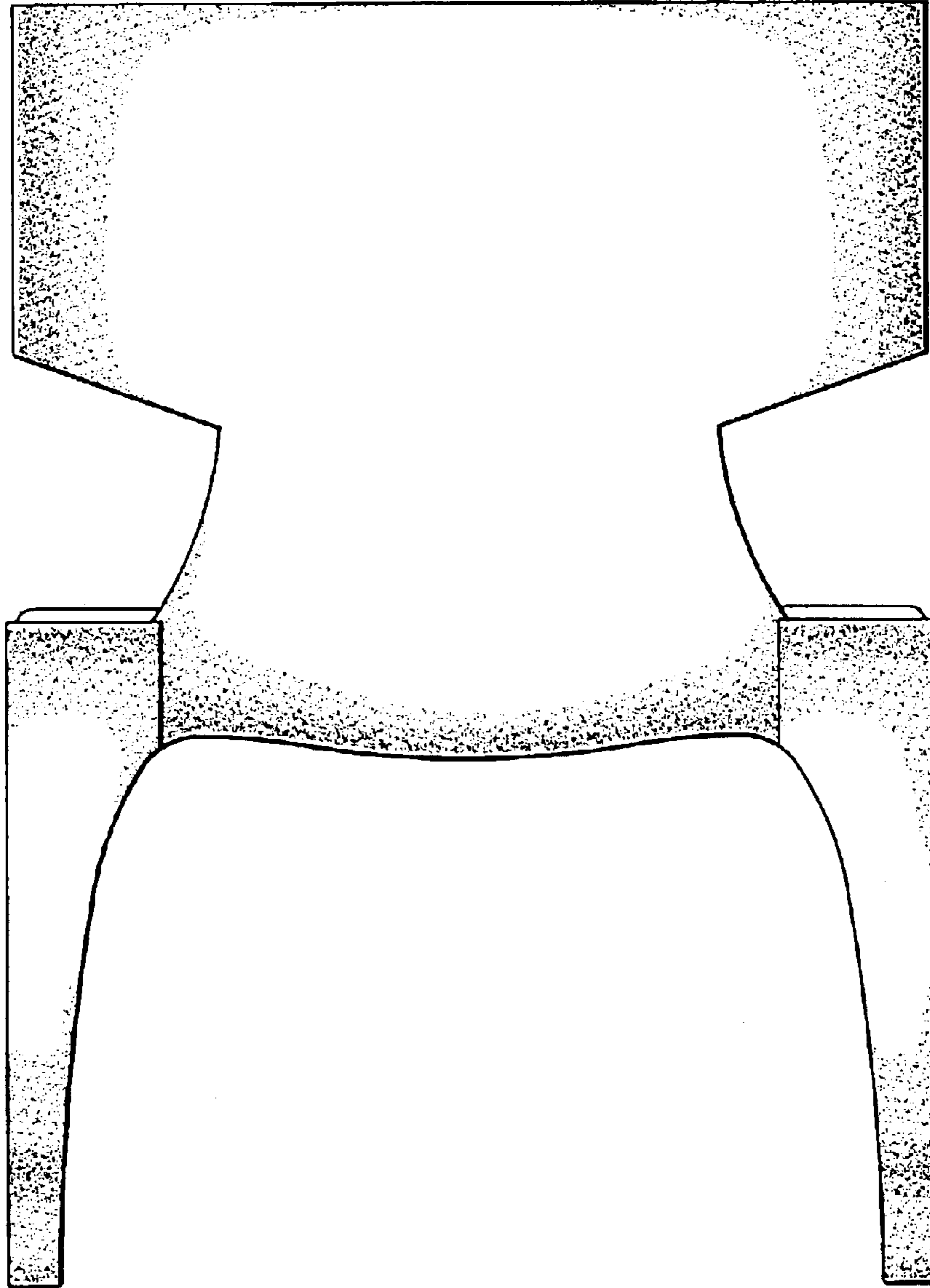


FIG. 3

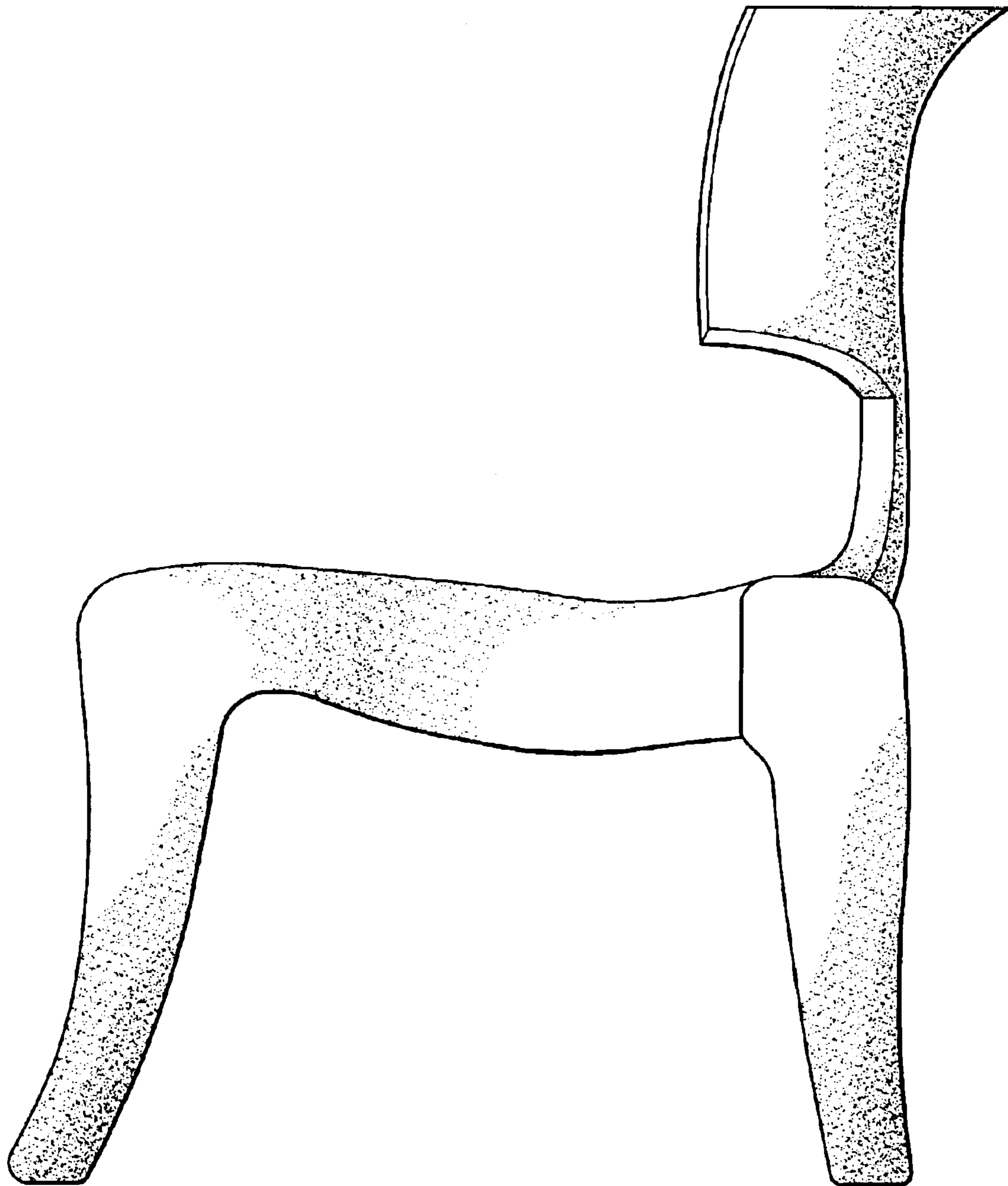


FIG. 4

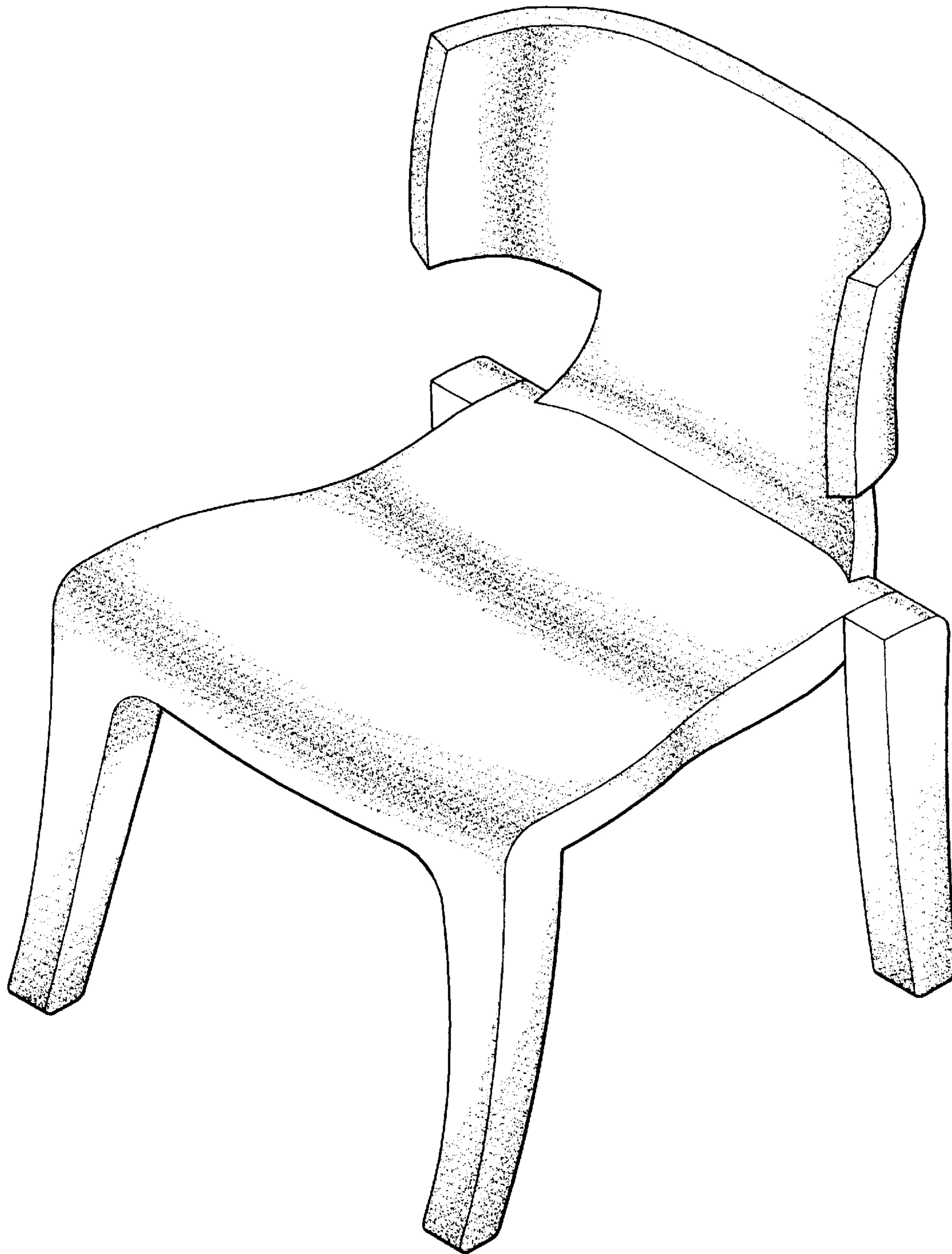


FIG. 5

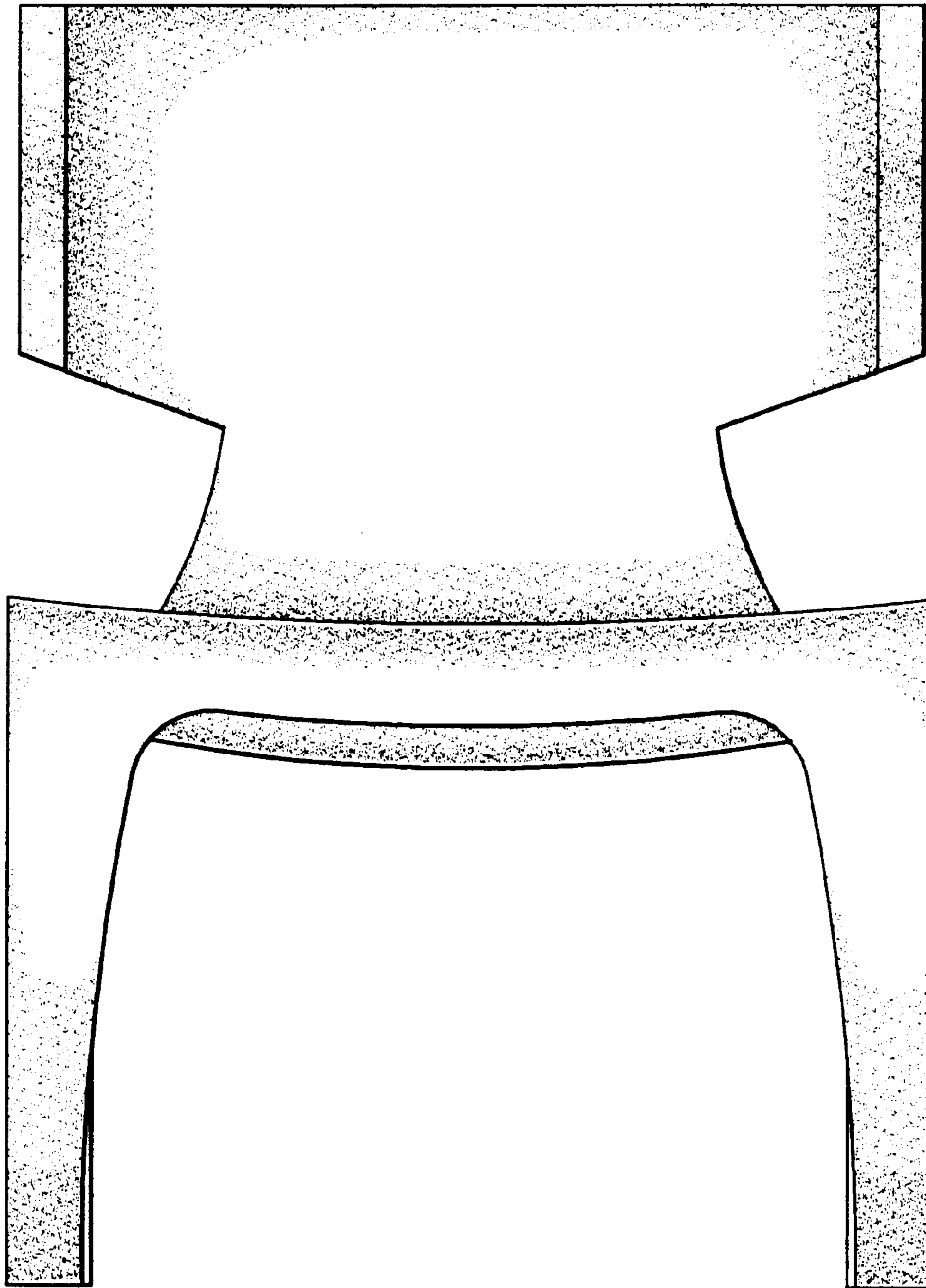


FIG. 6

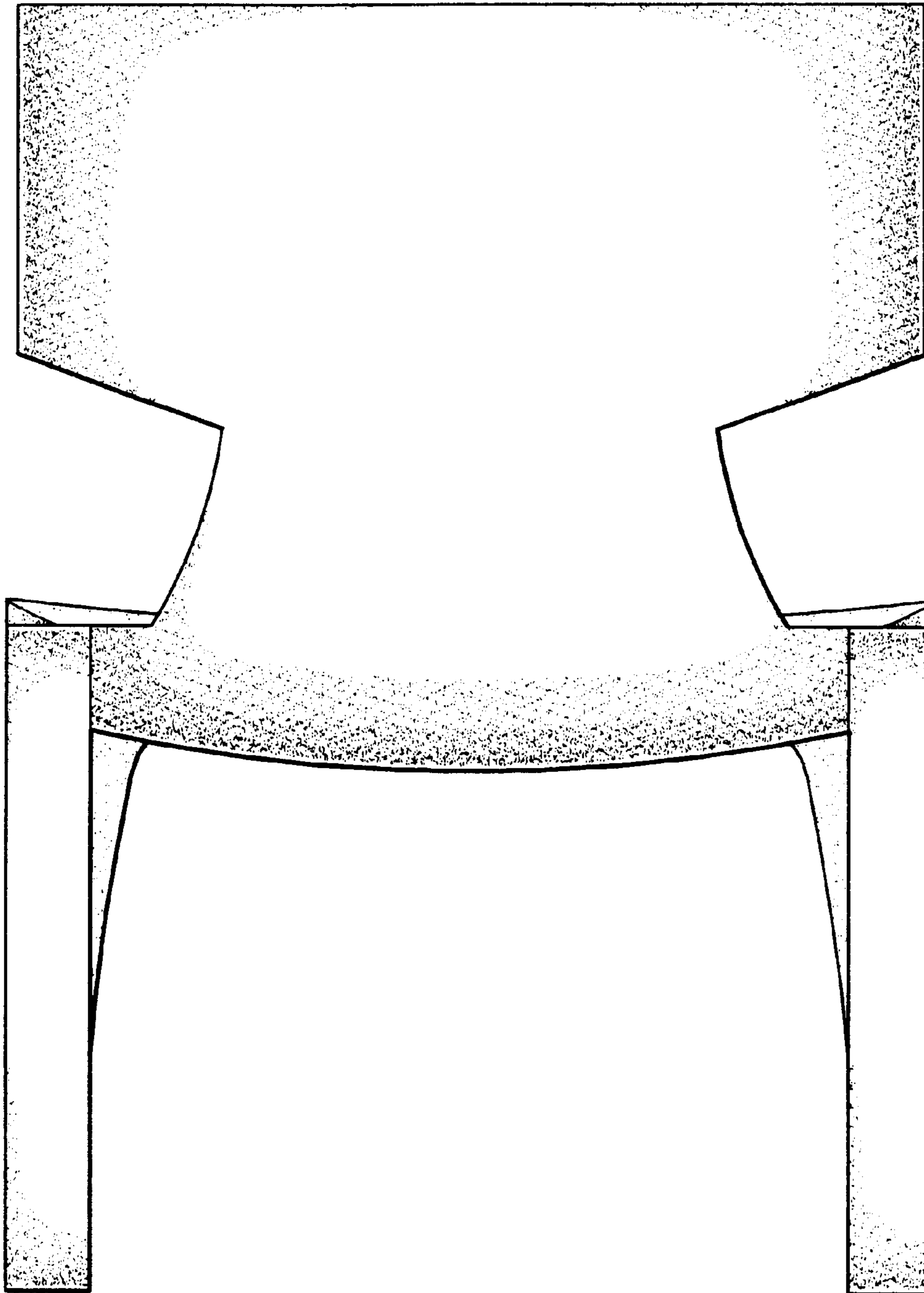


FIG. 7

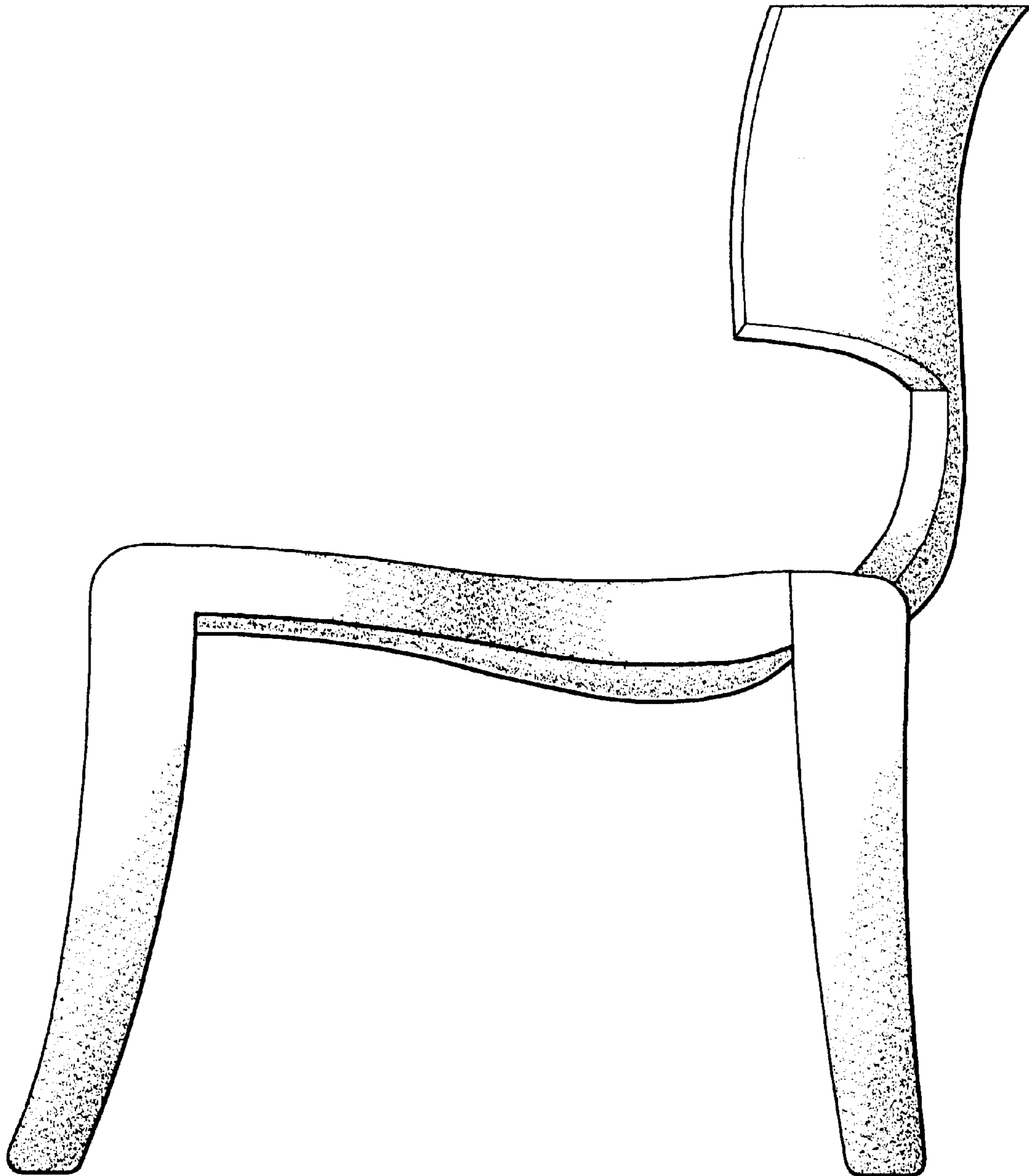


FIG. 8