



US00D515323S

(12) **United States Design Patent**
Memmel

(10) **Patent No.:** **US D515,323 S**

(45) **Date of Patent:** **** Feb. 21, 2006**

(54) **SIDE APPEARANCE OF A CONTOUR CHAIR**

2,482,306 A 9/1949 Waldheim
D456,156 S * 4/2002 Prodinge D6/348

(76) Inventor: **Robert O. Memmel**, 967 Armour Rd.,
Oconomowoc, WI (US) 53066

OTHER PUBLICATIONS

(**) Term: **14 Years**

BARWA chair advertisement, page from catalog, unknown
publication date.

(21) Appl. No.: **29/118,478**

* cited by examiner

(22) Filed: **Mar. 20, 2000**

Primary Examiner—Mimosa De

(51) **LOC (8) Cl.** **06-06**

(74) *Attorney, Agent, or Firm*—Michael Best & Friedrich
LLP

(52) **U.S. Cl.** **D6/344**

(58) **Field of Classification Search** D6/334,
D6/335, 344, 348, 360, 361, 367, 500–502;
297/32, 259.2, 270.2, 270.3, 270.4, 271.5,
297/271.6

(57) **CLAIM**

The ornamental design for a side appearance of a contour
chair, as shown and described.

See application file for complete search history.

DESCRIPTION

(56) **References Cited**

FIG. 1 is a side view of a contour chair embodying the
present invention and oriented in a first position.

U.S. PATENT DOCUMENTS

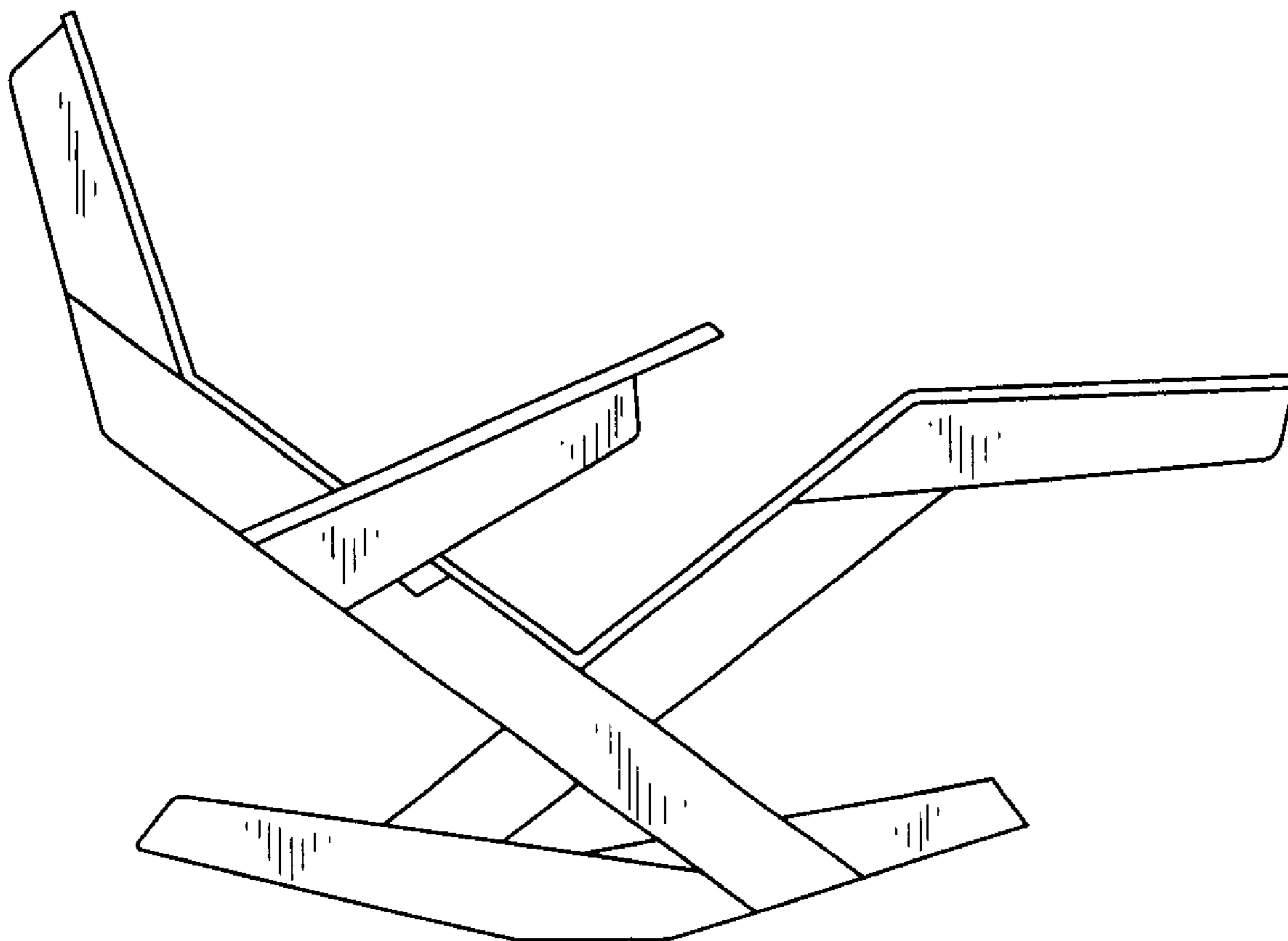
FIG. 2 is a side view of the contour chair shown in FIG. 1
oriented in a second position; and,

213,894 A	*	4/1879	Graetz	297/32
251,783 A	*	1/1882	Johnson	297/32
326,968 A	*	9/1885	Gibson	297/270.4
333,273 A	*	12/1885	Achenbach	297/259.2
419,116 A	*	1/1890	Petty	D6/348
457,780 A	*	8/1891	Jones	297/32
611,144 A	*	9/1898	Plummer	297/270.2
1,228,967 A	*	6/1917	Rho	297/270.2
1,534,796 A	*	4/1925	McCullough	297/270.4

FIG. 3 is a side view of the contour chair shown in FIG. 1
oriented in a third position.

The broken lines showing of the screw and the bracket in the
drawing are for illustrative purposes only and form no part
of the claimed design.

1 Claim, 1 Drawing Sheet



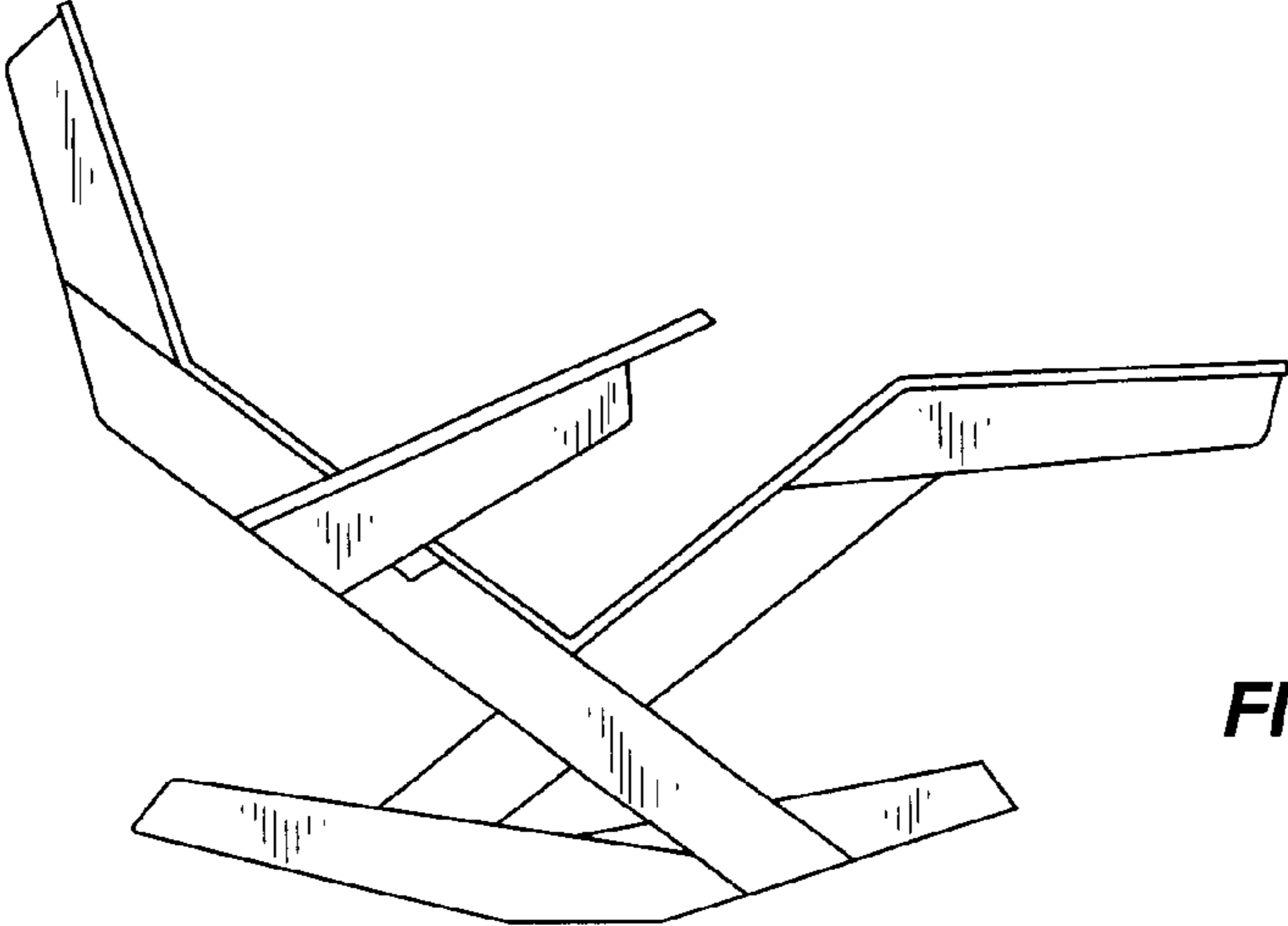


FIG. 1

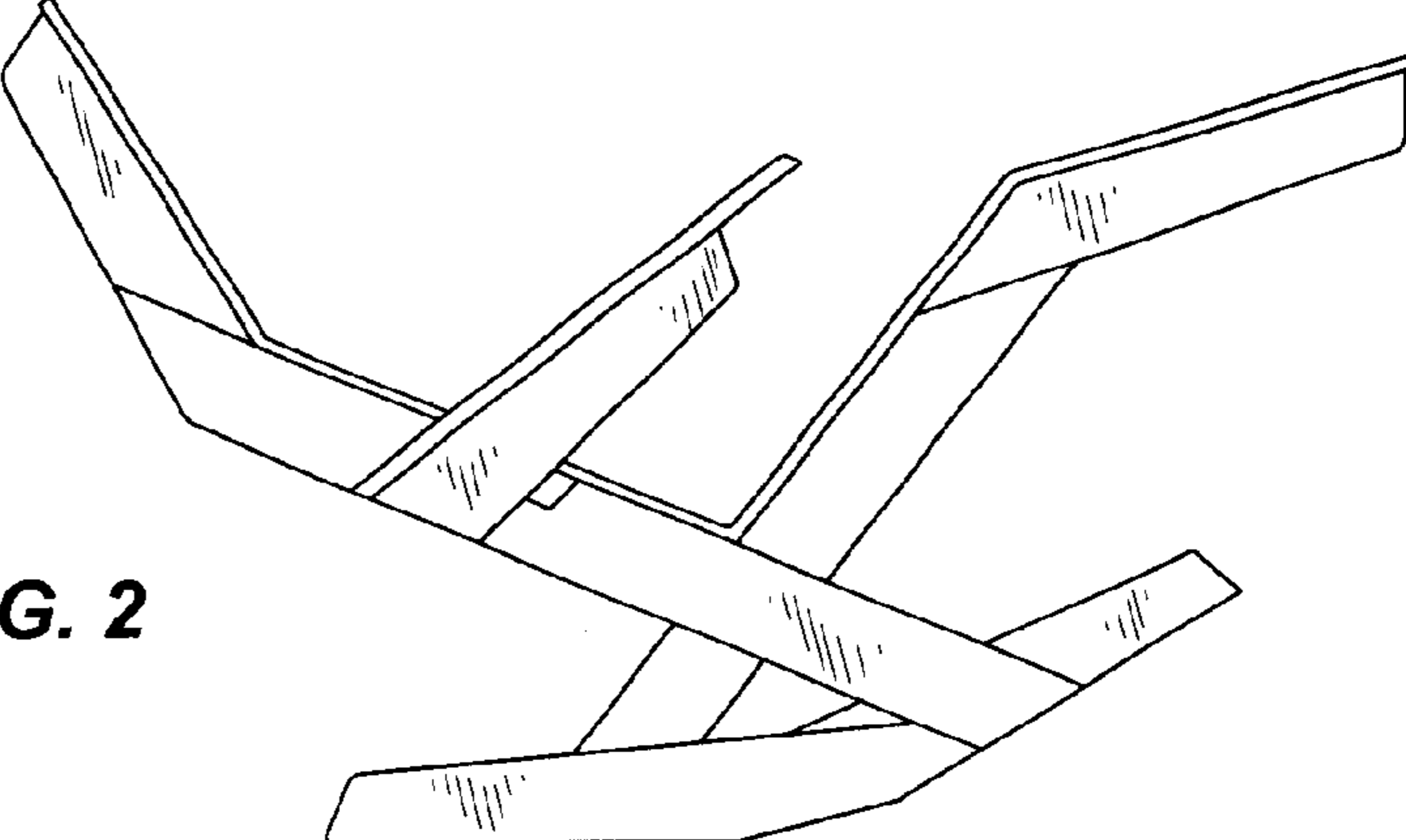


FIG. 2

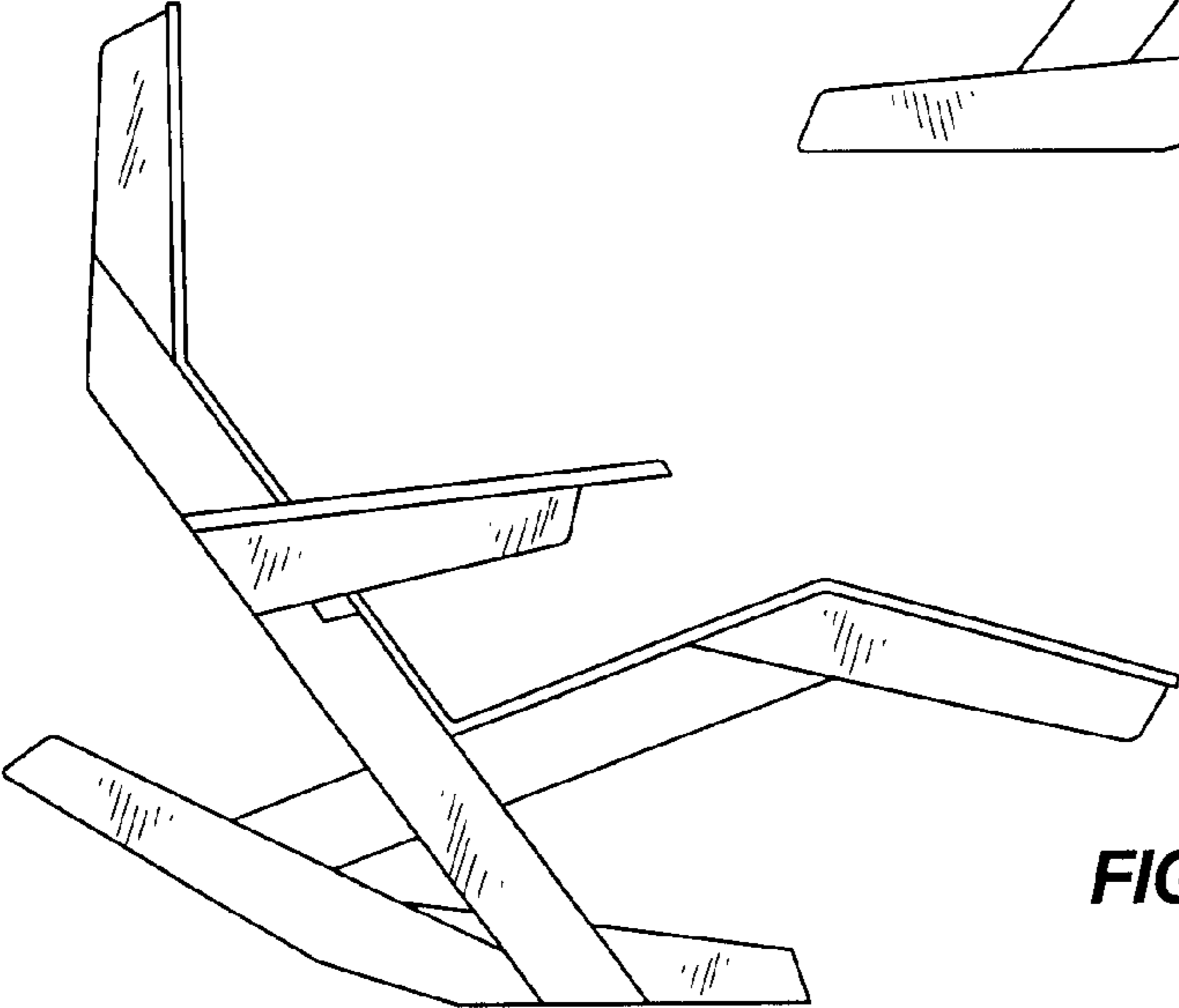


FIG. 3