

US00D515321S

(12) **United States Design Patent** (10) **Patent No.:** **US D515,321 S**
Sutton et al. (45) **Date of Patent:** **** Feb. 21, 2006**

(54) **GARMENT HANGER**
(75) Inventors: **Steven Sutton**, Brooklyn, NY (US);
David P. Gordon, Stamford, CT (US)
(73) Assignee: **The Accessory Corp.**, New York, NY
(US)
(**) Term: **14 Years**
(21) Appl. No.: **29/222,058**
(22) Filed: **Jan. 24, 2005**
(51) **LOC (8) Cl.** **06-08**
(52) **U.S. Cl.** **D6/328**
(58) **Field of Classification Search** D6/315,
D6/320, 323, 326, 328; 223/85, 88, 90-93,
223/95, 96, DIG. 2; 211/85.3, 89.01, 8, 13.1;
24/716
See application file for complete search history.

5,411,189 A * 5/1995 Gouldson 223/85
D368,376 S 4/1996 Gouldson D6/326
5,516,013 A * 5/1996 Gouldson et al. 223/91
D371,246 S 7/1996 Gouldson D6/326
D375,208 S 11/1996 Gouldson D6/326
D377,717 S * 2/1997 Gouldson D6/328
D387,912 S 12/1997 Fildan D6/326
D388,620 S 1/1998 Gouldson D6/326
D388,964 S 1/1998 Gouldson D6/326
D392,113 S 3/1998 Gouldson D6/326
D394,754 S 6/1998 Gouldson D6/328
D413,446 S 9/1999 Gouldson D6/326
D414,946 S 10/1999 Gouldson D6/326
D423,234 S 4/2000 Gouldson D6/326
D435,973 S 1/2001 Gouldson D6/326
D439,751 S 4/2001 Gouldson D6/326
D440,410 S 4/2001 Gouldson D6/328
D453,423 S 2/2002 Goldman et al. D6/326
6,357,638 B2 * 3/2002 Gouldson 223/96
6,435,387 B1 * 8/2002 Gouldson et al. 223/96
D469,964 S 2/2003 Gouldson D6/326
6,516,980 B1 * 2/2003 Goldman 223/85
D502,606 S 3/2005 Gouldson D6/326
2001/0015361 A1 * 8/2001 Gouldson 223/85

(56) **References Cited**

U.S. PATENT DOCUMENTS

D236,572 S 9/1975 Ostroll et al. D6/326
D246,817 S 1/1978 Mainetti D6/252
D260,342 S 8/1981 Eiley et al. D6/252
D273,650 S 5/1984 Brown D6/252
D301,661 S 6/1989 Wilson D6/326
D301,943 S 7/1989 Wilson D6/326
D305,484 S 1/1990 Fildan D6/326
D305,834 S 2/1990 DeVito D6/326
D305,835 S 2/1990 DeVito D6/326
5,062,556 A * 11/1991 Willputz 223/96
D324,459 S 3/1992 Gouldson D6/326
5,092,502 A * 3/1992 Kolton et al. 223/91
D327,578 S 7/1992 Fildan D6/326
D327,579 S 7/1992 Fildan D6/326
D329,754 S 9/1992 Gouldson D6/326
D329,755 S 9/1992 Gouldson D6/326
D340,138 S 10/1993 Gouldson D6/326
D340,586 S 10/1993 Fildan D6/326
D348,987 S 7/1994 Gouldson D6/326
D350,236 S 9/1994 Gouldson D6/326
D353,945 S 1/1995 Louw D6/326

* cited by examiner

Primary Examiner—Nanda Bondade
Assistant Examiner—Shanda C. Hill
(74) *Attorney, Agent, or Firm*—Gordon & Jacobson, P.C.

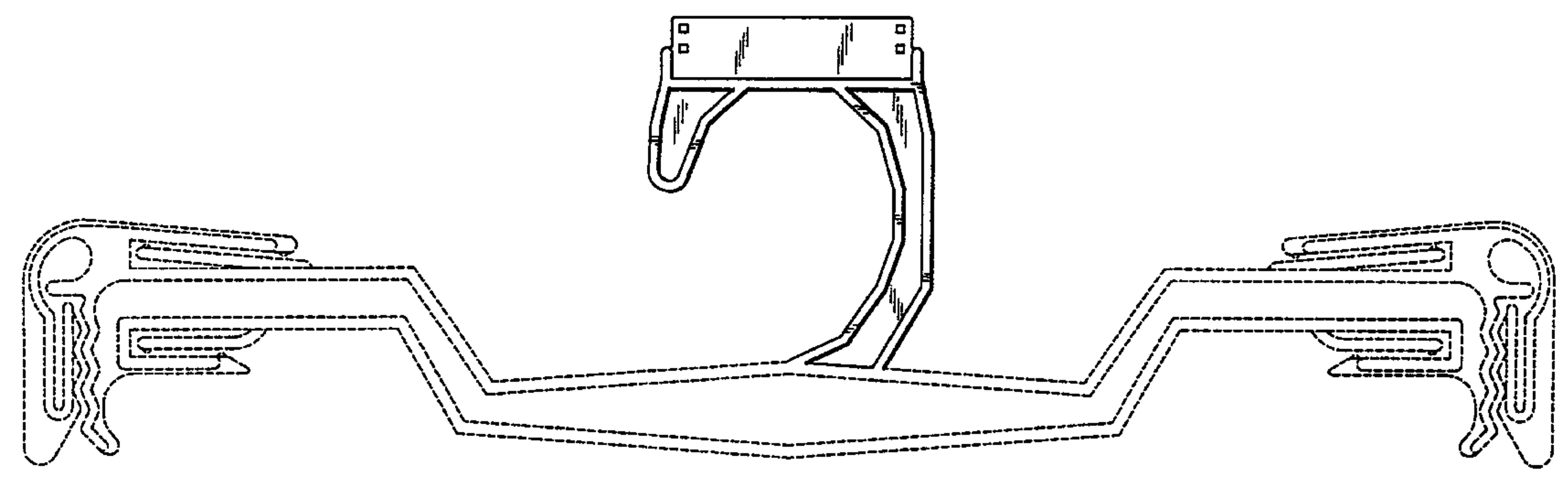
(57) **CLAIM**

The ornamental design for a garment hanger, as shown and described.

DESCRIPTION

FIG. 1 is a front elevational view of a garment hanger showing our new design;
FIG. 2 is a top plan view thereof;
FIG. 3 is a right side elevational view thereof; and,
FIG. 4 is a left side elevational view thereof.
The broken lines shown in the drawing disclosure are for illustrative purposed only and form no part of the claimed design.

1 Claim, 2 Drawing Sheets



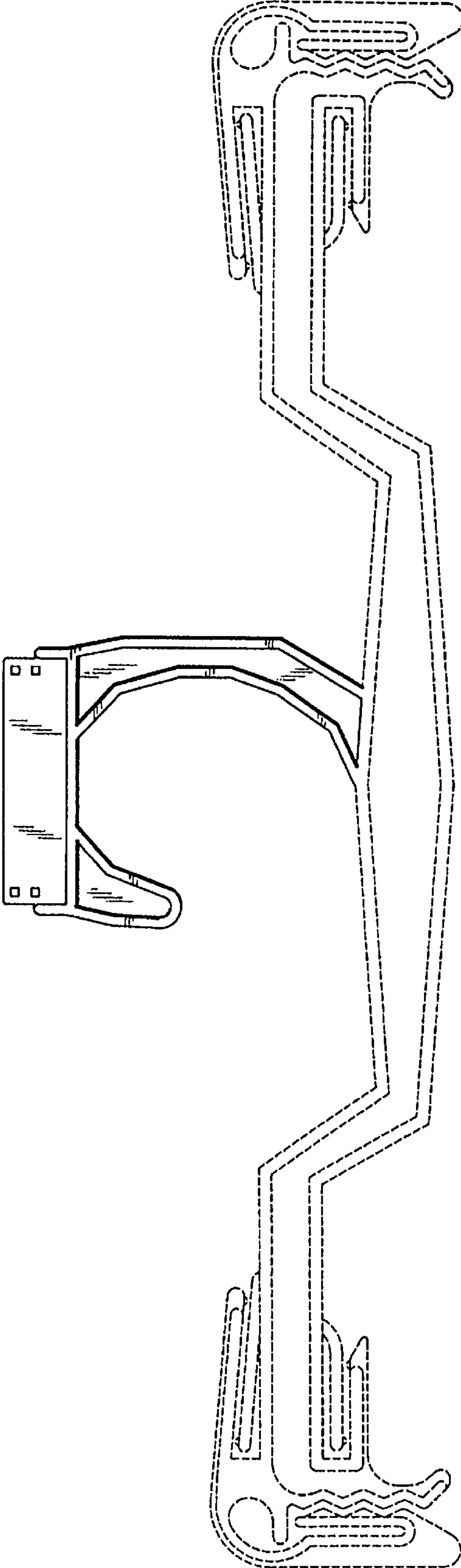


FIG. 1



FIG. 2

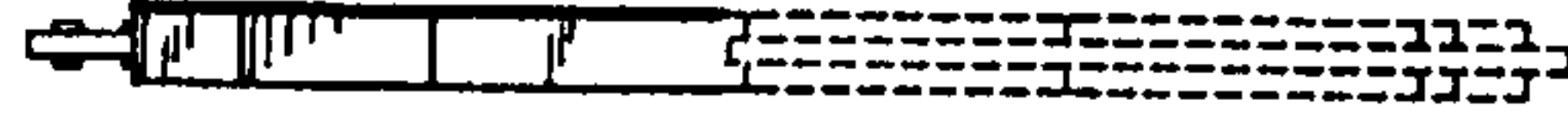


FIG. 3

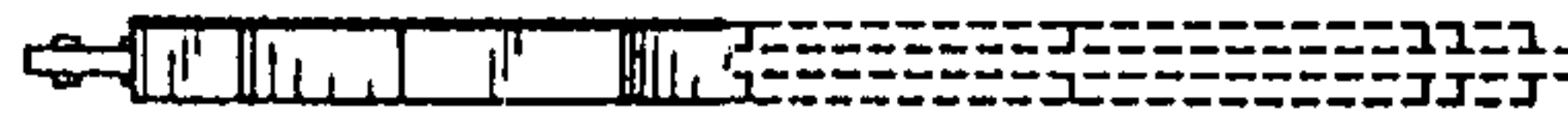


FIG. 4