



US00D515318S

(12) **United States Design Patent** (10) **Patent No.:** **US D515,318 S**
Chan et al. (45) **Date of Patent:** **** Feb. 21, 2006**

(54) **BRISTLE CARRIER FOR ELECTRIC TOOTHBRUSH**

(75) Inventors: **John Geoffrey Chan**, Loveland, OH (US); **Wang Ping**, Beijing (CN)

(73) Assignee: **The Procter & Gamble Company**, Cincinnati, OH (US)

(**) Term: **14 Years**

(21) Appl. No.: **29/193,156**

(22) Filed: **Nov. 4, 2003**

(51) **LOC (8) Cl.** **04-02**

(52) **U.S. Cl.** **D4/101; D4/111**

(58) **Field of Classification Search** D4/101, D4/102, 104–113, 127, 130, 138, 199; 15/22.1, 15/23, 24, 28, 29, 167.1, 167.2, 159.1, 160, 15/180; 132/308, 309, 311; 601/141
See application file for complete search history.

(56) **References Cited**

U.S. PATENT DOCUMENTS

5,078,158	A	*	1/1992	Lemon et al.	15/180	X
D432,312	S		10/2000	Blaustein et al.			
D433,814	S		11/2000	Blaustein et al.			
6,237,178	B1		5/2001	Krammer et al.			
D446,653	S	*	8/2001	Sale et al.	D4/111	
6,360,395	B1		3/2002	Blaustein et al.			
6,371,294	B1		4/2002	Blaustein et al.			
D456,607	S	*	5/2002	Carlucci et al.	D4/101	
D457,728	S		5/2002	Blaustein et al.			
D458,030	S		6/2002	Blaustein et al.			
D458,455	S		6/2002	Blaustein et al.			
6,421,867	B1		7/2002	Weilhrauch			
6,446,295	B1		9/2002	Calabrese			
D465,088	S		11/2002	Blaustein et al.			
2001/0020314	A1		9/2001	Calabrese			
2001/0022277	A1		9/2001	Blaustein et al.			
2001/0029639	A1		10/2001	Seifert			
2002/0020645	A1		2/2002	Blaustein et al.			

2002/0029988	A1		3/2002	Blaustein et al.			
2002/0032941	A1		3/2002	Blaustein et al.			
2002/0078514	A1		6/2002	Blaustein et al.			
2002/0162180	A1		11/2002	Blaustein et al.			

FOREIGN PATENT DOCUMENTS

DE 4130740 A1 * 3/1993

* cited by examiner

Primary Examiner—Alan P. Douglas
Assistant Examiner—Lavone D. Tabor

(74) *Attorney, Agent, or Firm*—Fay, Sharp, Fagan, Minnich & McKee, LLP; James C. Vago

(57) **CLAIM**

The ornamental design for a bristle carrier for electric toothbrush, as shown and described.

DESCRIPTION

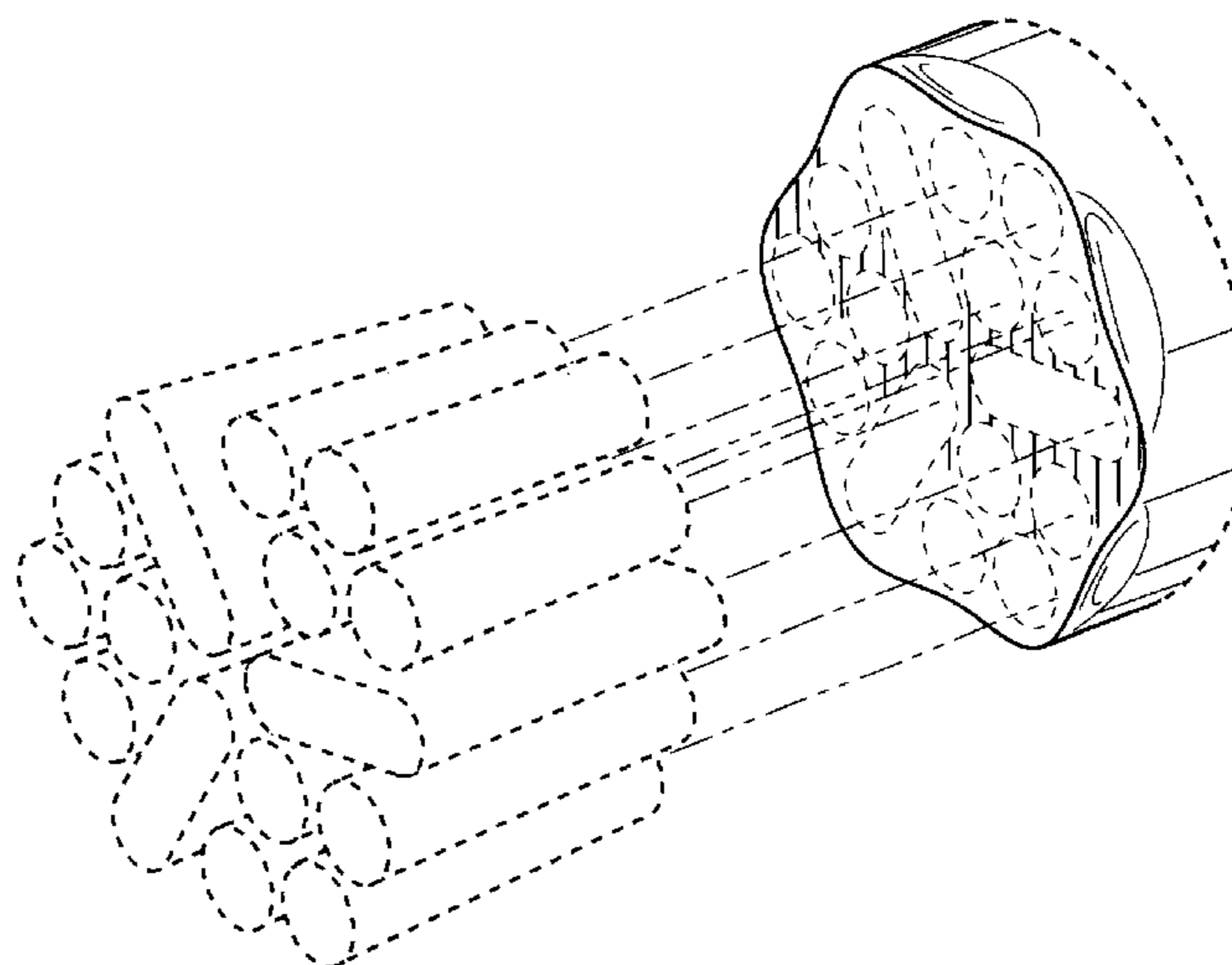
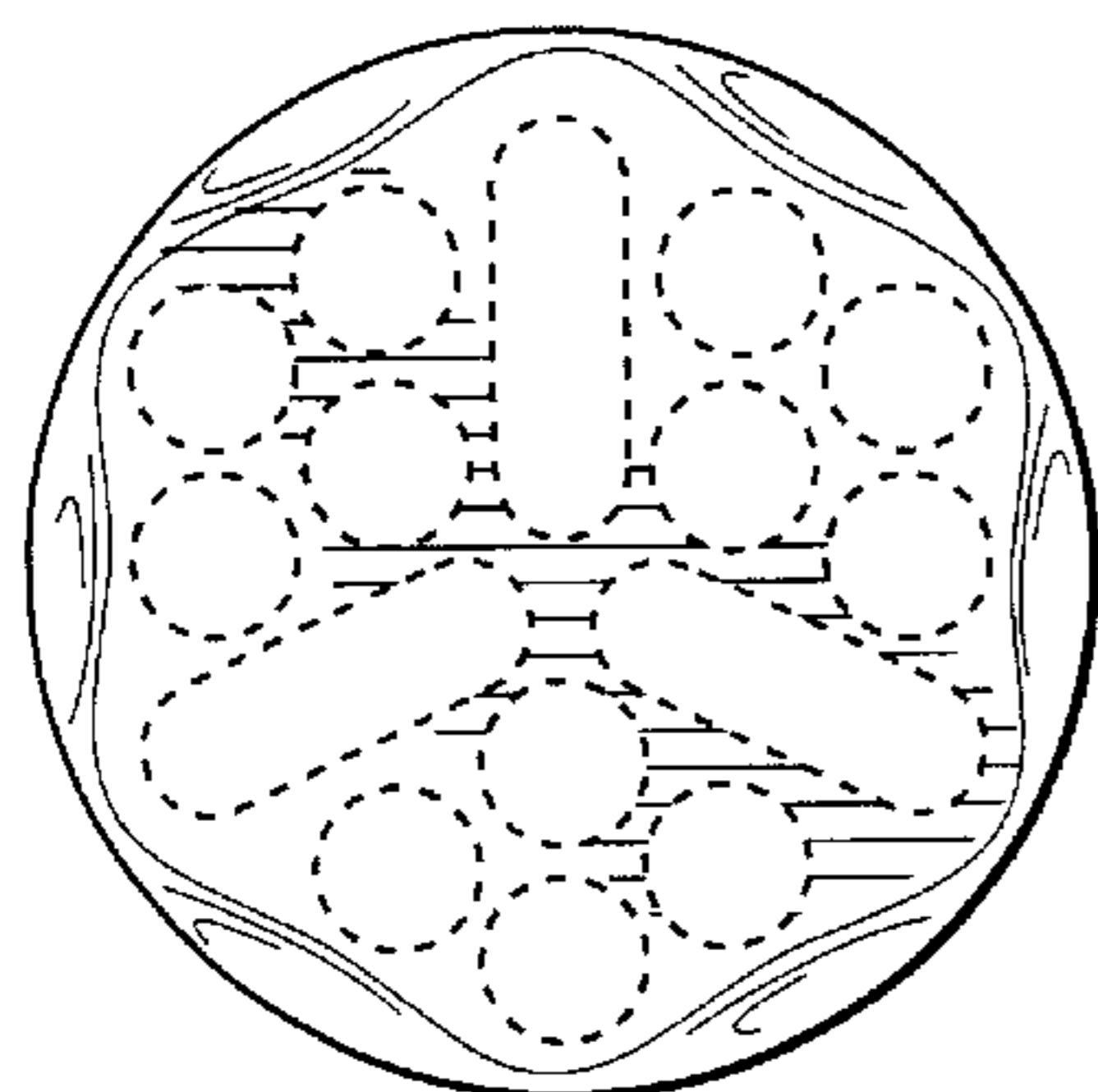
FIG. 1 is a perspective view of a bristle carrier for electric toothbrush shown in place on a toothbrush; FIG. 2 is a front view of FIG. 1; FIG. 3 is a rear view of FIG. 1; FIG. 4 is a side view of FIG. 1, the opposite side being a mirror image;

FIG. 5 is a top view of FIG. 1; FIG. 6 is a bottom view of FIG. 1; FIG. 7 is an enlarged front view of the bristle carrier wherein the unclaimed structure has been removed for clarity of illustration; and, FIG. 8 is an exploded, perspective view of the bristle carrier shown in FIG. 7 showing the unclaimed bristle tufts separated therefrom.

The parts shown in dashed lines in FIGS. 1–8 are shown for illustrative purposes only and form no part of the claimed design.

The dashed lines immediately adjacent the shaded areas represent the bounds of the claimed design and form no part thereof.

1 Claim, 4 Drawing Sheets



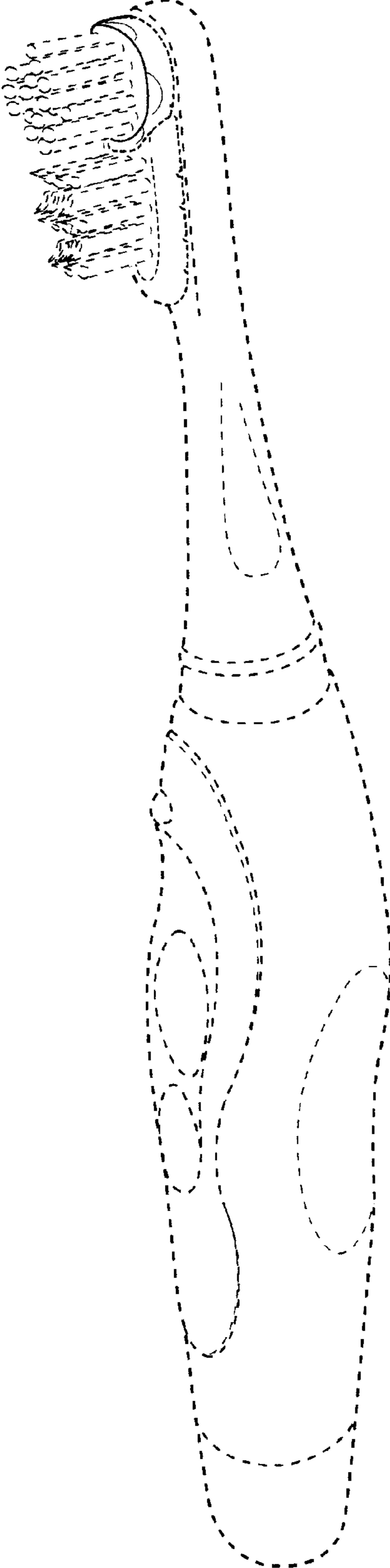


FIG. 1

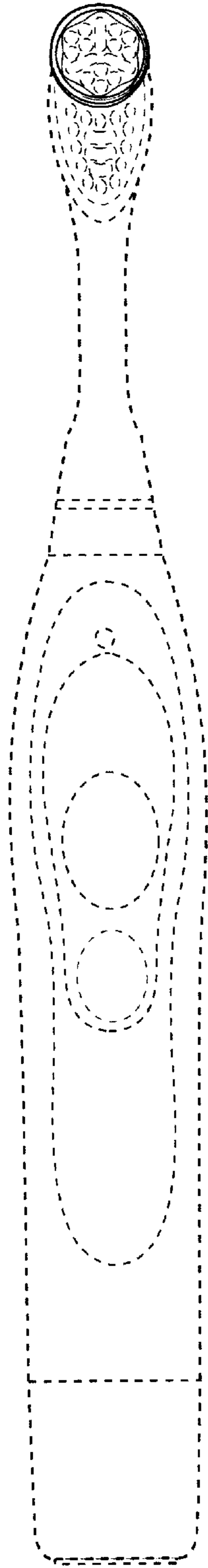


FIG. 2



FIG. 3

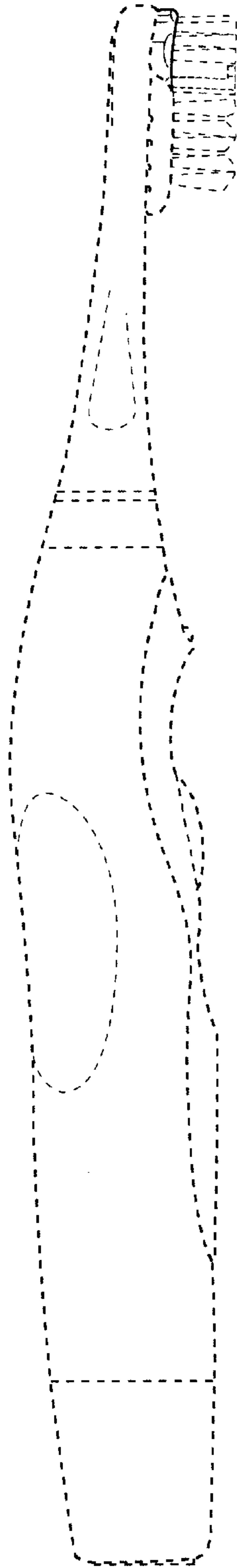


FIG. 4

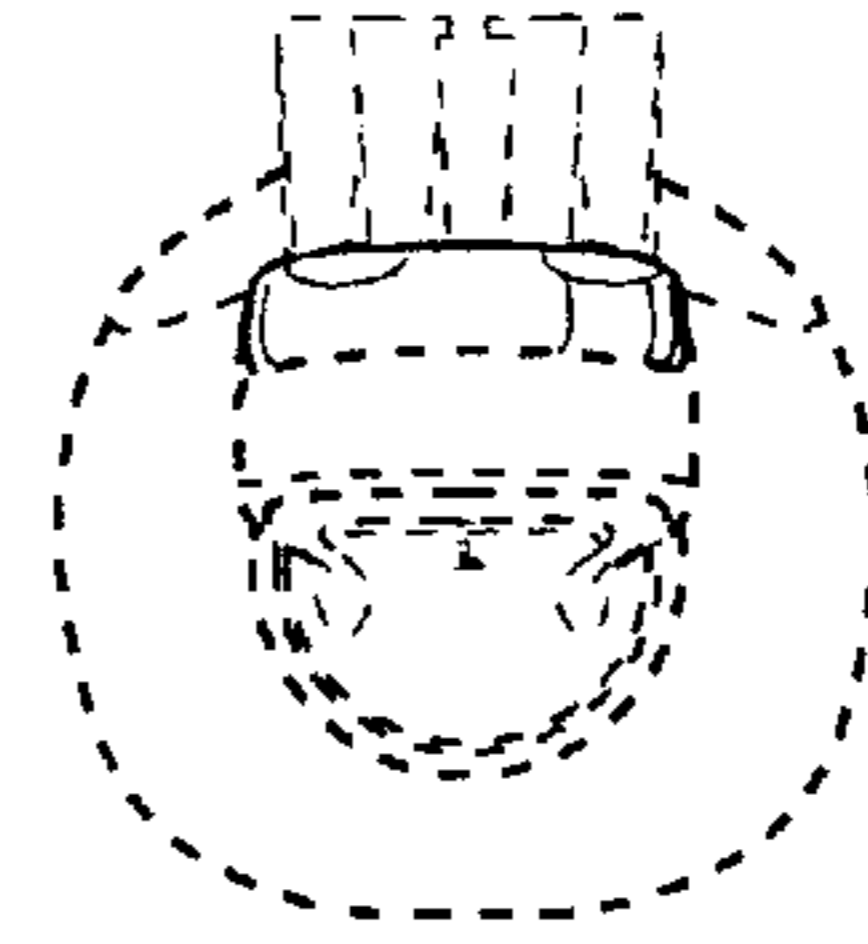


FIG. 5

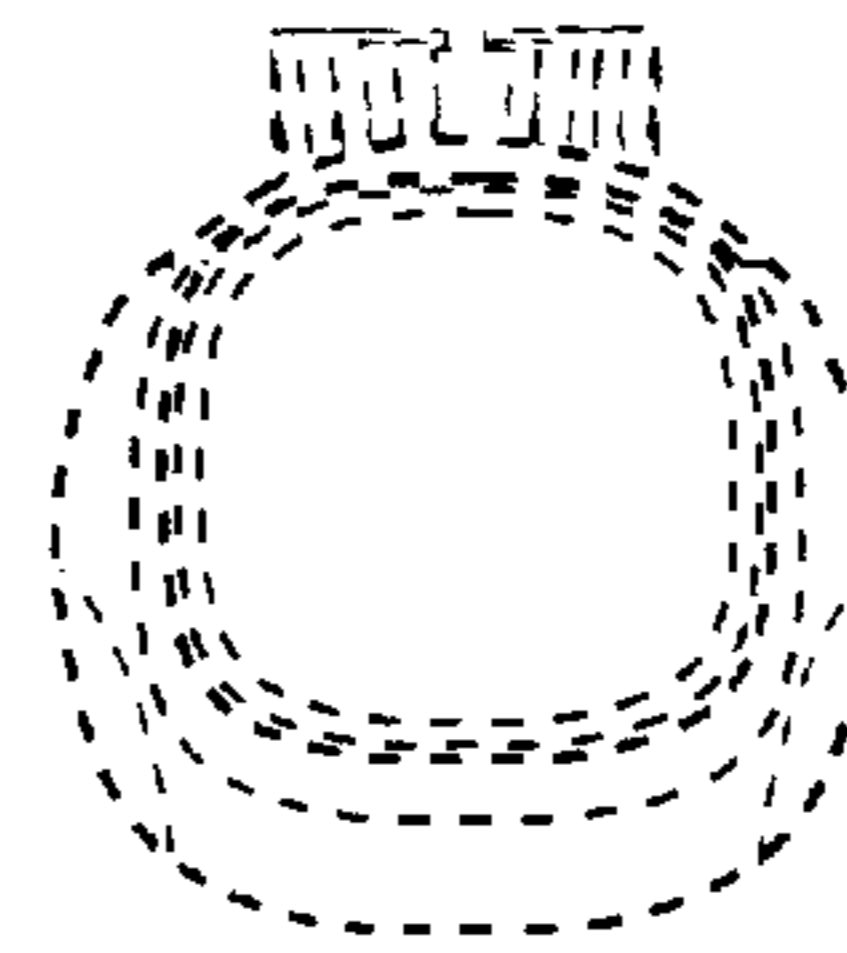


FIG. 6

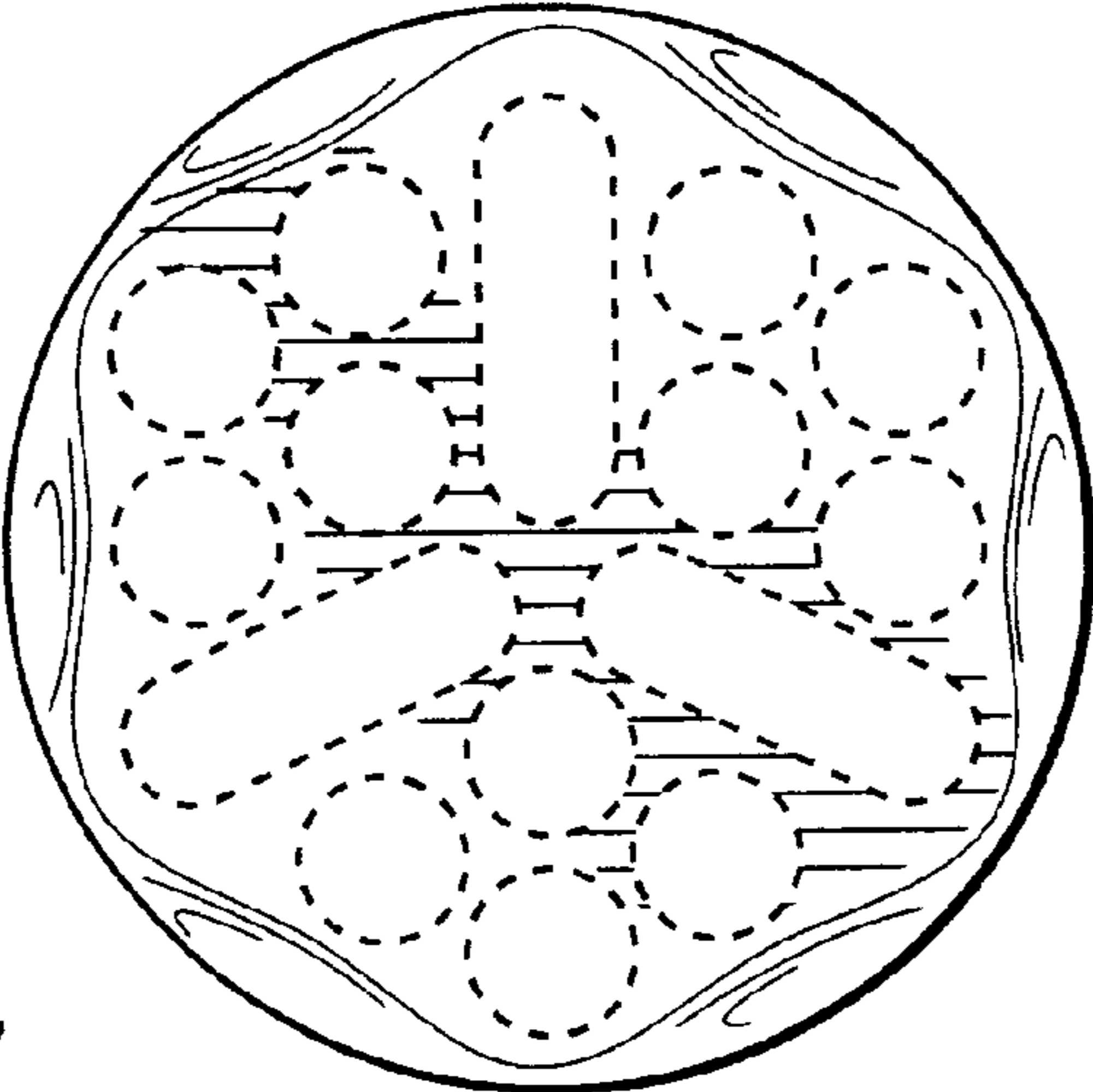


FIG. 7

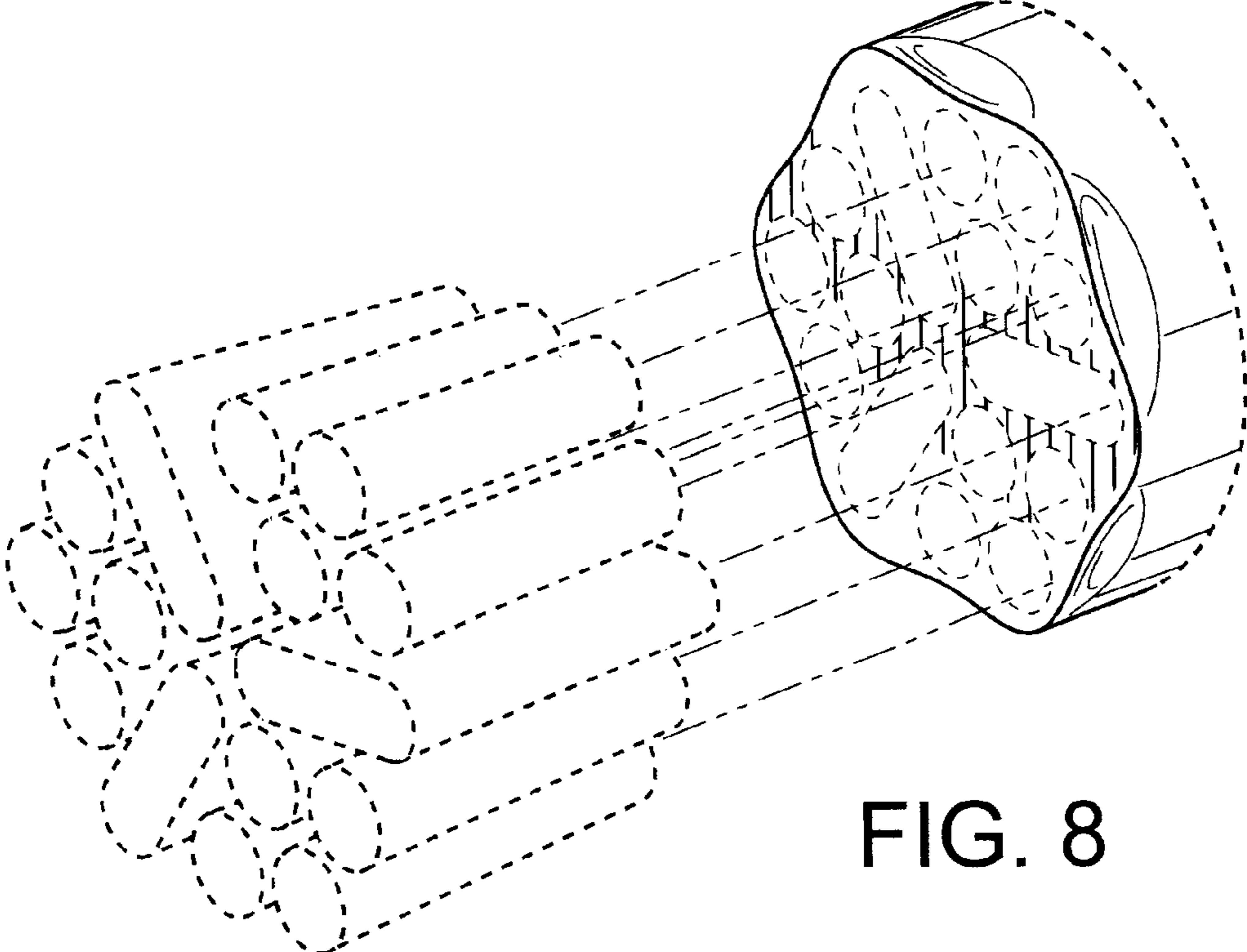


FIG. 8