

US00D515317S

(12) **United States Design Patent**
Chintala et al.

(10) **Patent No.: US D515,317 S**
(45) **Date of Patent: ** Feb. 21, 2006**

- (54) **BELT CLIP FOR A PORTABLE ELECTRONIC DEVICE**
- (75) Inventors: **Thomas J. Chintala**, San Diego, CA (US); **Scott C. Asbill**, Carlsbad, CA (US); **Joel Gordon Delman**, Chicago, IL (US); **Scott R. Semenik**, Charles, IL (US)
- (73) Assignee: **Qualcomm Incorporated**, San Diego, CA (US)

(**) Term: **14 Years**

(21) Appl. No.: **29/197,440**

(22) Filed: **Jan. 14, 2004**

(51) **LOC (8) Cl.** **03-99**

(52) **U.S. Cl.** **D3/321**

(58) **Field of Classification Search** 379/440, 379/419, 428, 441, 446, 450, 454, 455, 428.04, 379/428.01, 433.05, 433.01, 447; D3/318-328, D3/218; D14/142, 251, 253, 108, 137, 138, D14/140, 240, 248, 250; 455/90, 128, 575, 455/550.1; 224/269, 904, 240, 236, 197, 224/666, 271; 255/553.1, 561; 320/110, 113, 320/114, 115; 24/3.12

See application file for complete search history.

(56) **References Cited**

U.S. PATENT DOCUMENTS

- 2,987,585 A * 6/1961 Abysalh 379/455
- D229,944 S * 1/1974 Eddy D14/253

- D233,385 S * 10/1974 Friedman D6/553
- D252,571 S * 8/1979 Hancock D14/253
- D254,069 S * 1/1980 Haley D14/253
- D261,510 S * 10/1981 Havens D14/253
- D287,905 S * 1/1987 Oyamada D3/218
- D370,559 S * 6/1996 Arndt D3/229
- D391,758 S * 3/1998 Wolf et al. D3/218
- D436,948 S * 1/2001 Carlson et al. D14/240
- 2003/0103624 A1 * 6/2003 Hu 379/455
- 2004/0013265 A1 * 1/2004 Wang 379/441

* cited by examiner

Primary Examiner—Sandra S. Snapp

(74) *Attorney, Agent, or Firm*—Phil Wadsworth; Sandip S. Minnas; Abdollah Katbab

(57) **CLAIM**

The ornamental design for a belt clip for a portable electronic device, as shown and described.

DESCRIPTION

FIG. 1 is a front perspective view of a belt clip for a portable electronic device;

FIG. 2 is a rear perspective view thereof;

FIG. 3 is a front elevation view thereof;

FIG. 4 is a right side elevation view thereof;

FIG. 5 is a left side elevation view thereof;

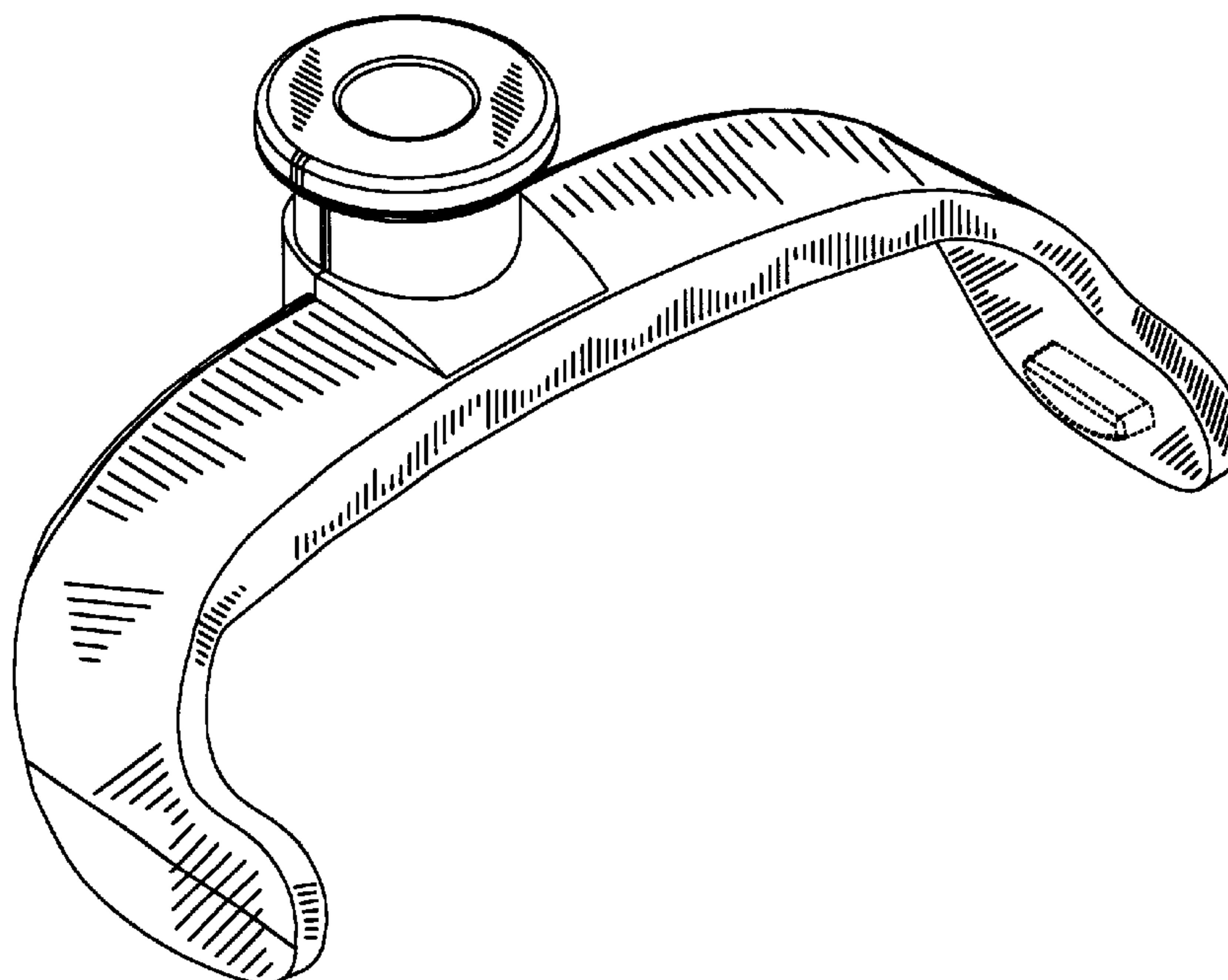
FIG. 6 is a rear elevation view thereof;

FIG. 7 is a top plan view thereof; and,

FIG. 8 is a bottom plan view thereof.

The broken lines show portions of the belt clip that form no part of the claimed design.

1 Claim, 8 Drawing Sheets



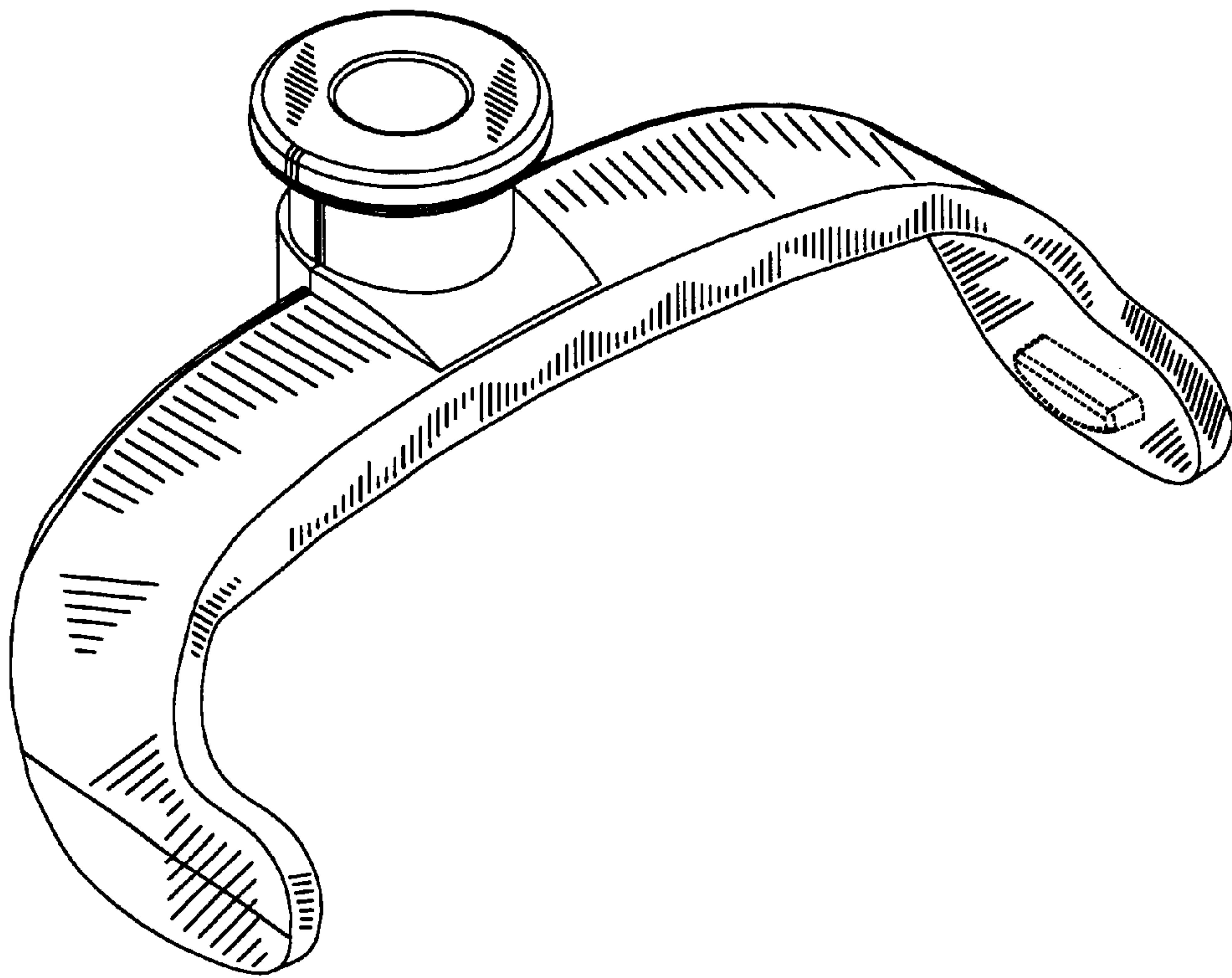


FIG. 1

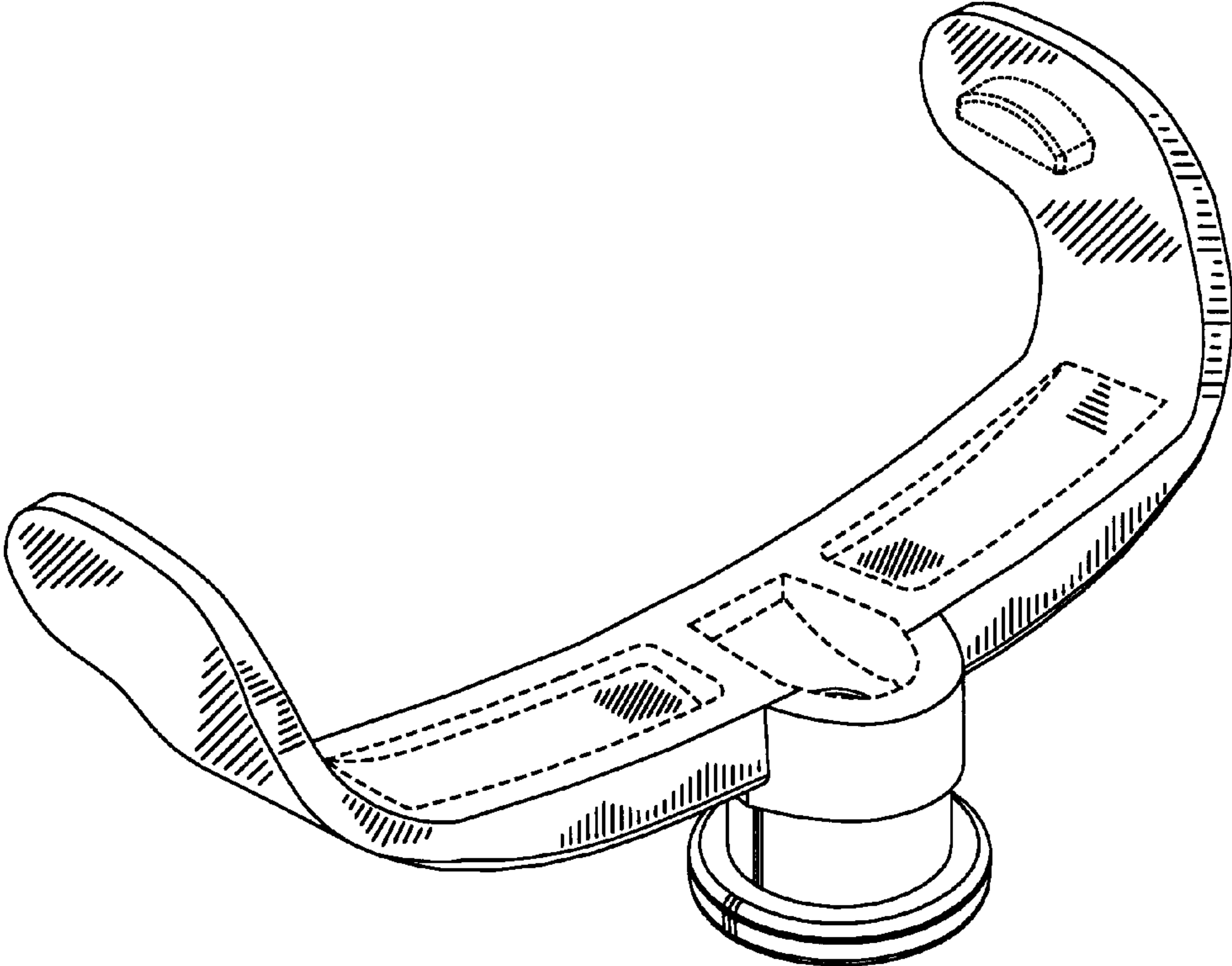


FIG. 2

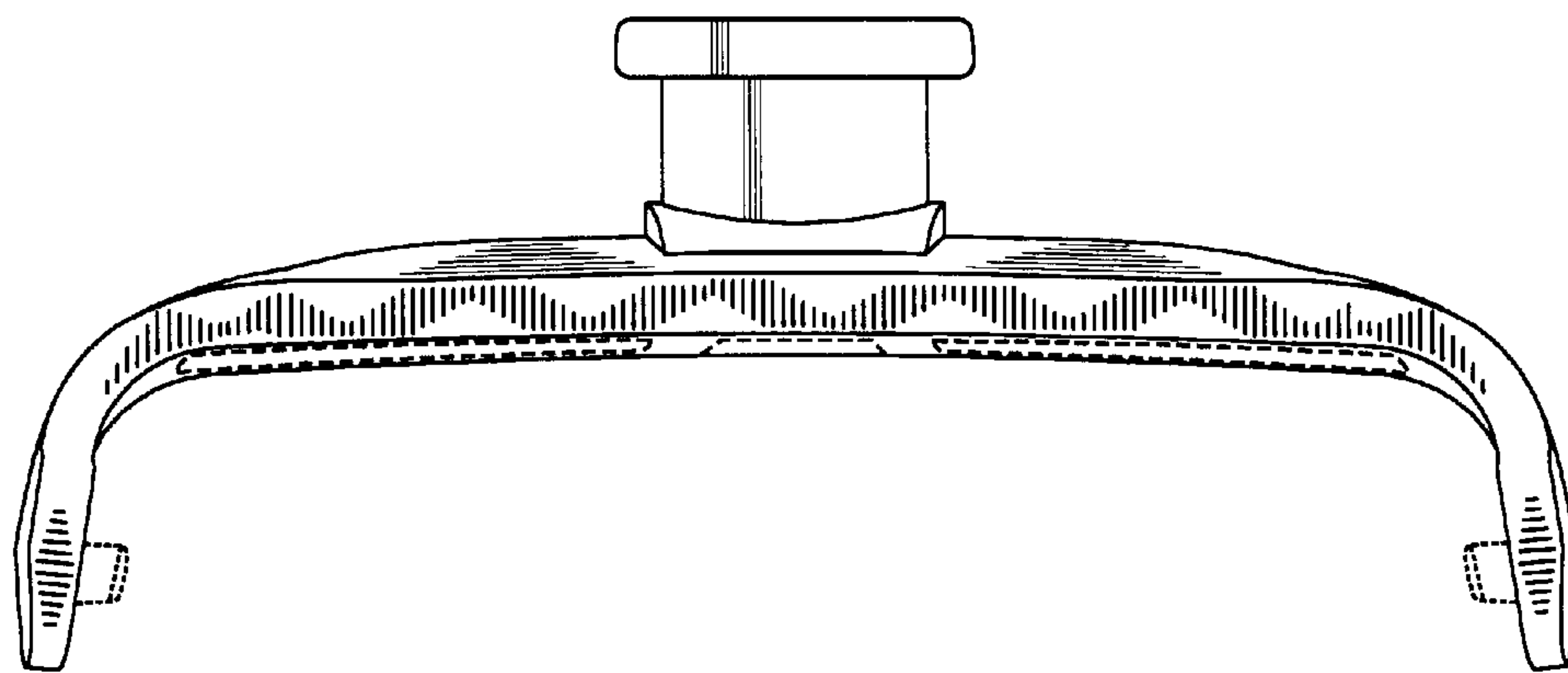


FIG. 3

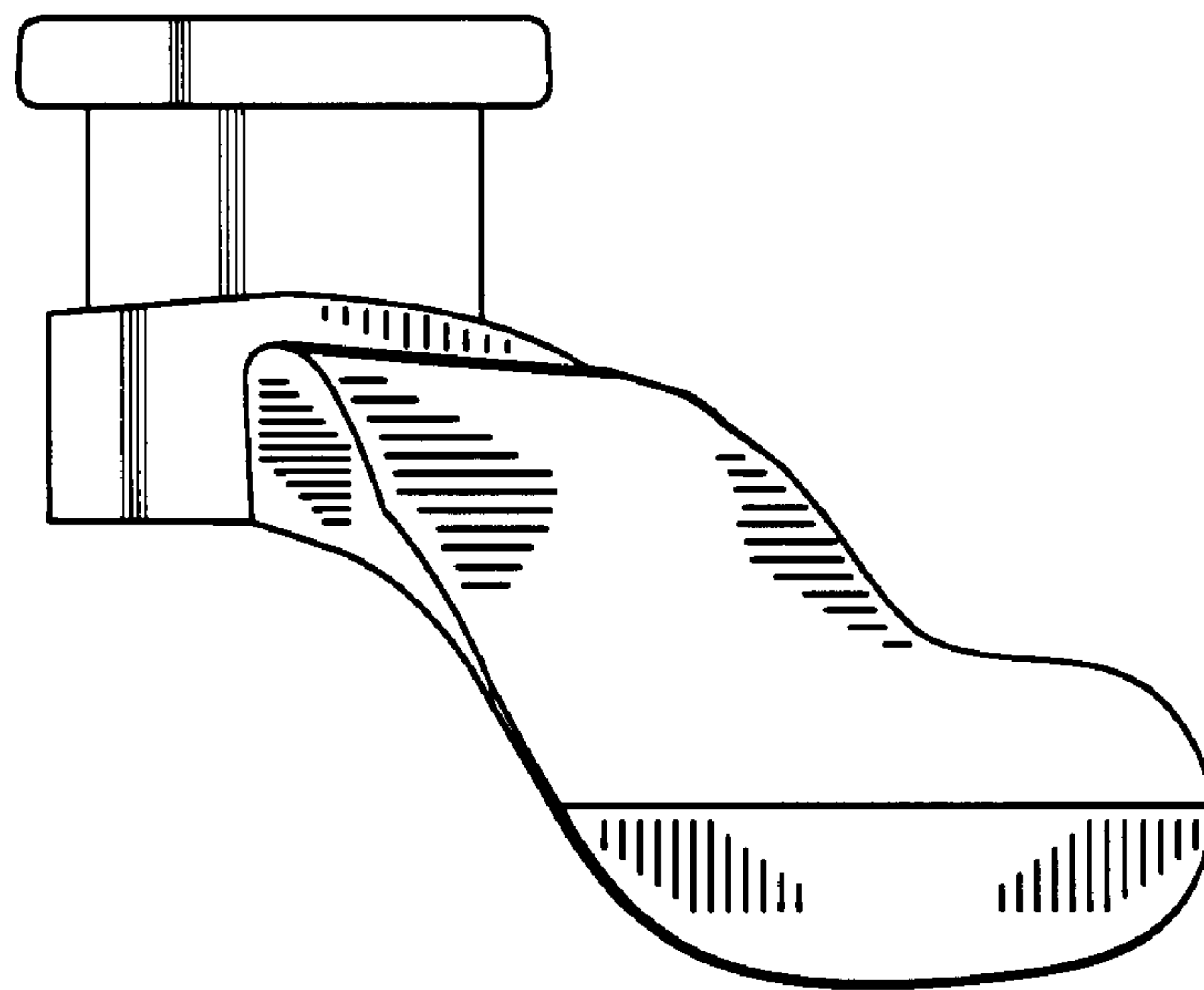


FIG. 4

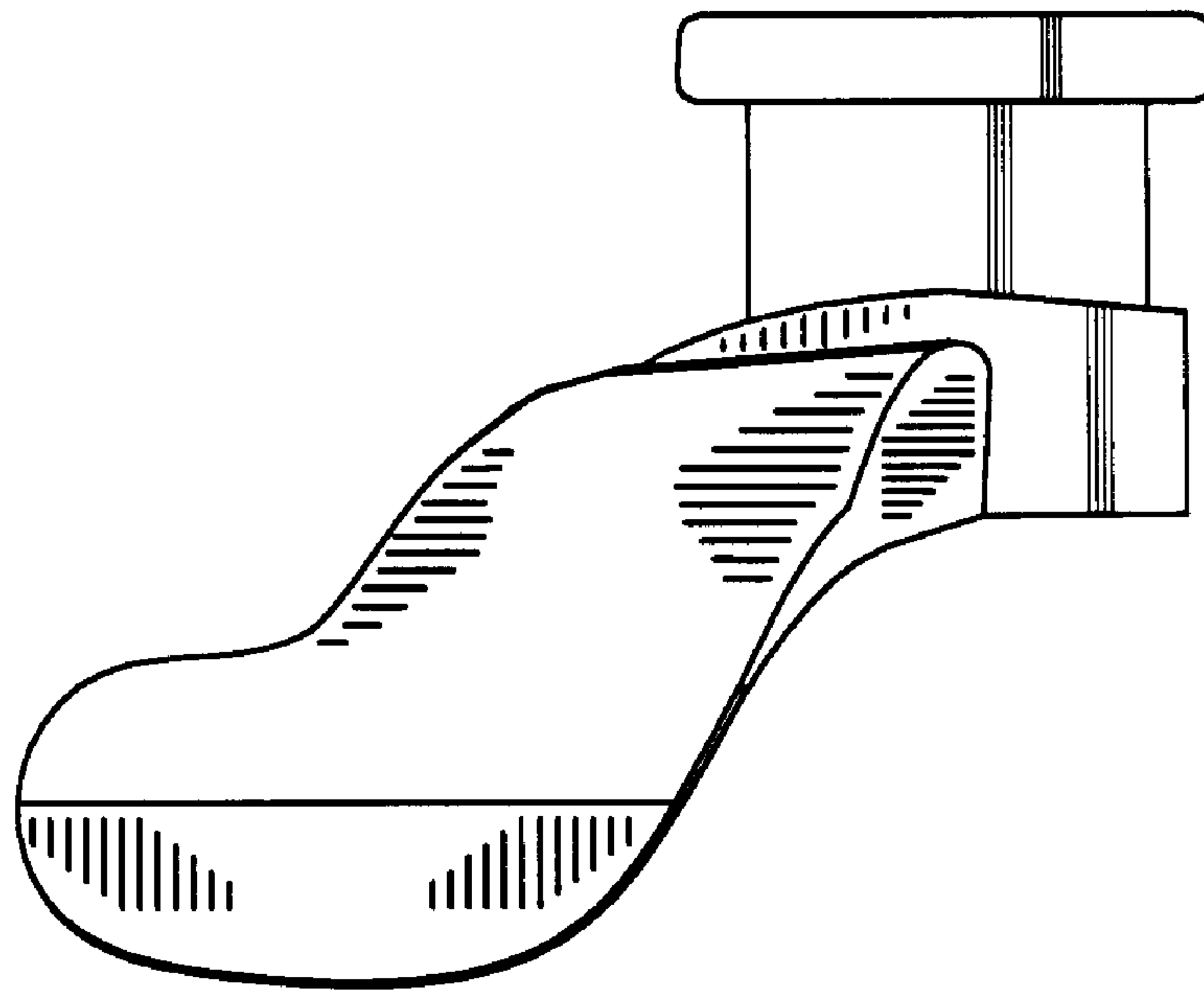


FIG. 5

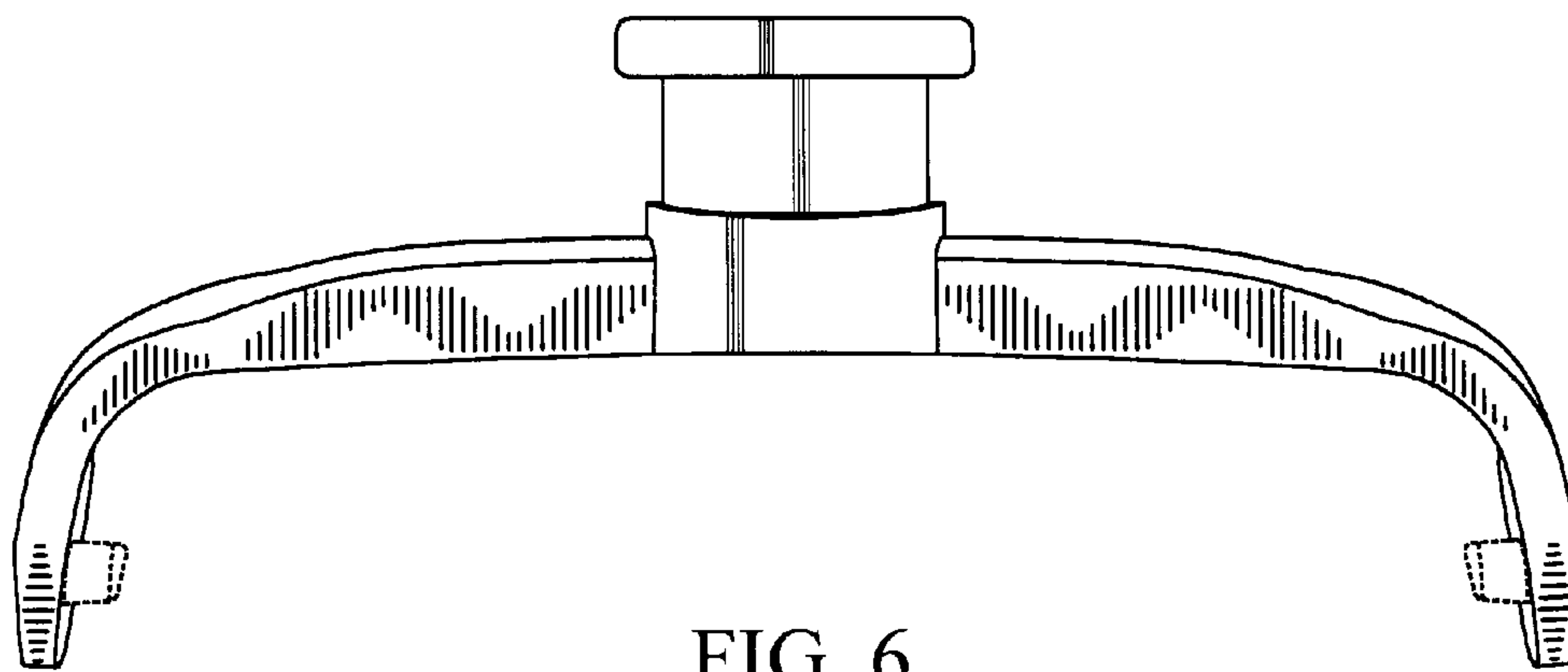


FIG. 6

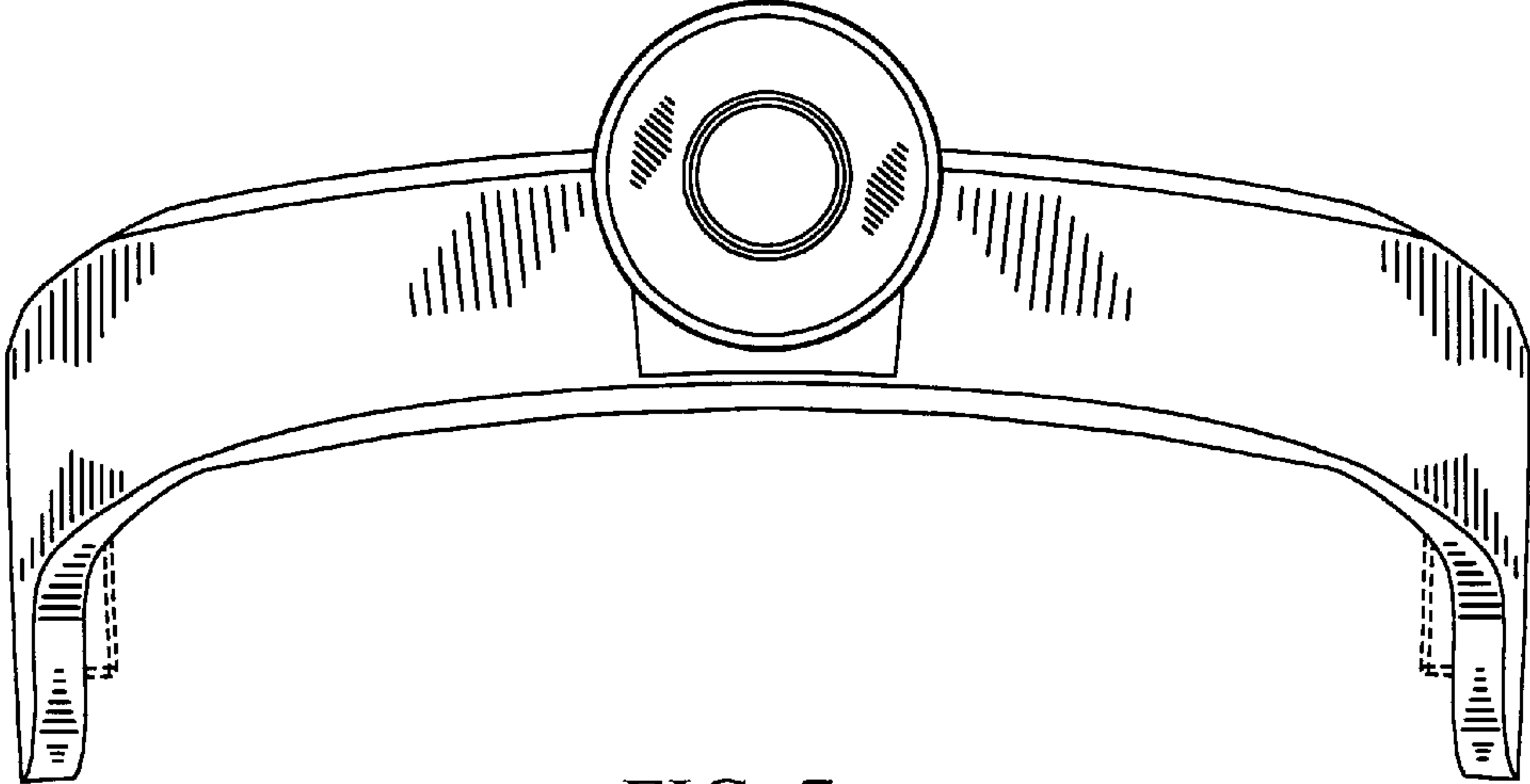


FIG. 7

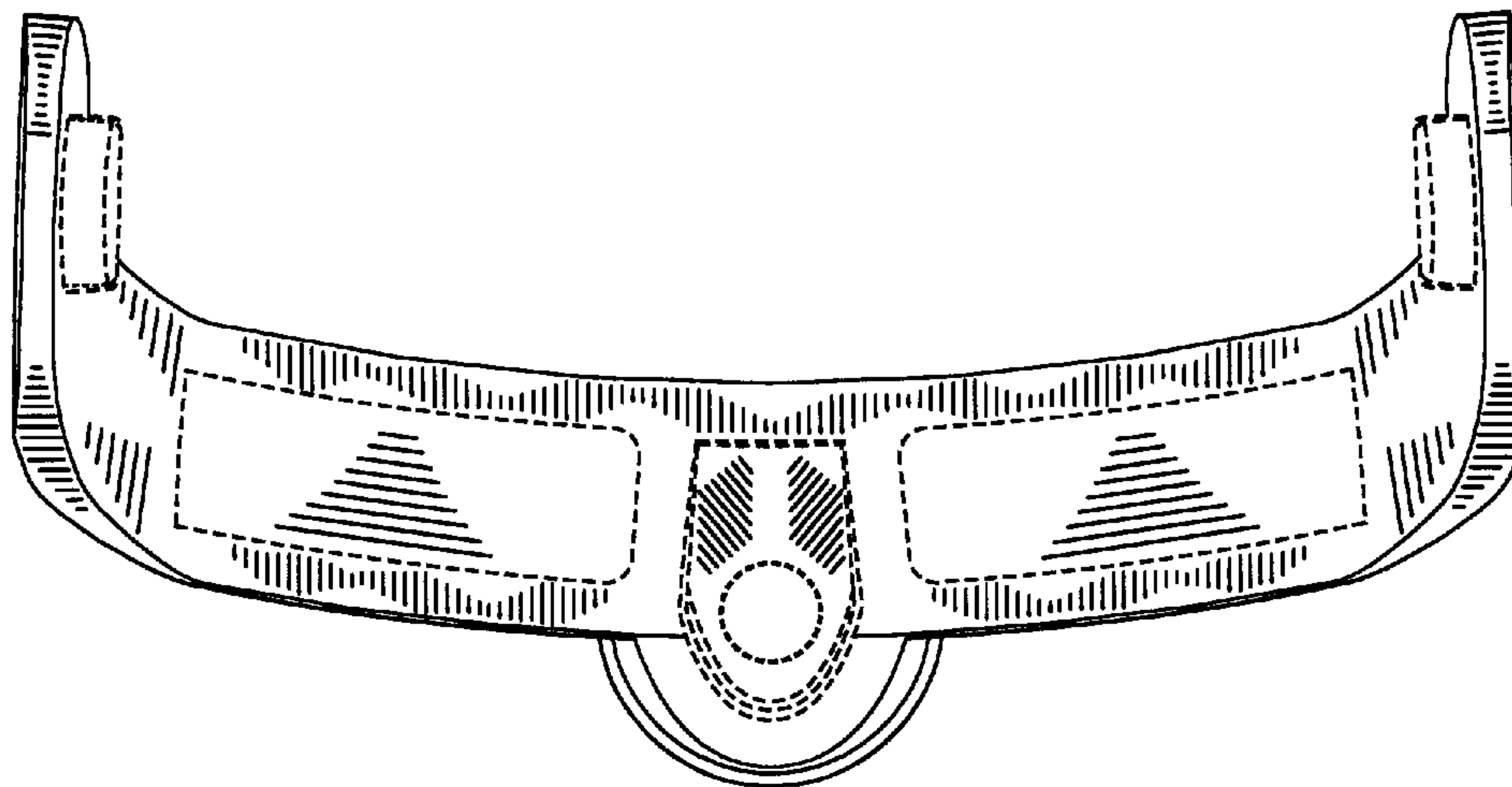


FIG. 8