



US00D515314S

(12) **United States Design Patent** (10) **Patent No.:** **US D515,314 S**
Stantial (45) **Date of Patent:** **** Feb. 21, 2006**

(54) **DUAL PURPOSE TOOLBOX**

(57) **CLAIM**

(76) **Inventor:** **Ralph Stantial, 53 Wentworth Ave., Londonderry, NH (US) 03053**

I claim the ornamental design for a dual purpose toolbox, as shown and described.

(**) **Term:** **14 Years**

DESCRIPTION

(21) **Appl. No.:** **29/204,921**

(22) **Filed:** **May 6, 2004**

(51) **LOC (8) Cl. 03-01**

(52) **U.S. Cl. D3/295; D3/294; D3/905; D12/414.1**

(58) **Field of Classification Search D3/273, D3/283, 294, 295, 905; D12/414.1, 413; 206/349, 372, 373; 312/902; 224/403, 404, 224/400, 539, 540, 541**
See application file for complete search history.

FIG. 1 is a front perspective view of the dual purpose toolbox;
FIG. 2 is a front view of the dual purpose toolbox;
FIG. 3 is a rear view of the dual purpose toolbox;
FIG. 4 is a left side view of the dual purpose toolbox;
FIG. 5 is a right side view of the dual purpose toolbox;
FIG. 6 is a top view of the dual purpose toolbox;
FIG. 7 is a front perspective view of the dual purpose toolbox with the only difference being an open top and open front door;
FIG. 8 is a front view of the dual purpose toolbox with open top and open right front door;
FIG. 9 is a rear view of the dual purpose toolbox with open top;
FIG. 10 is a left side view of the dual purpose toolbox with open top and open right front door;
FIG. 11 is a right side view of the dual purpose toolbox with open top and open right front door;
FIG. 12 is a top view of the dual purpose toolbox with open top and open front door;
FIG. 13 is a front perspective view as in FIG. 7 of the dual purpose toolbox with an open top, open right front door and the only difference being an opening cover;
FIG. 14 is a front perspective view as in FIG. 13 of the dual purpose toolbox with open top and the only difference being the front doors interchanged with opening cover.
FIG. 15 is a left side view as in FIG. 10 of a modified embodiment of the dual purpose toolbox of FIGS. 1 through 14 with open top and right front door, the only difference being the additional vent holes; and,
FIG. 16 is a right side view as in FIG. 11 of the dual purpose toolbox with open top and open right front door, the only difference being additional vent holes.
The opening cover in FIG. 13 is omitted from FIG. 7.

(56) **References Cited**

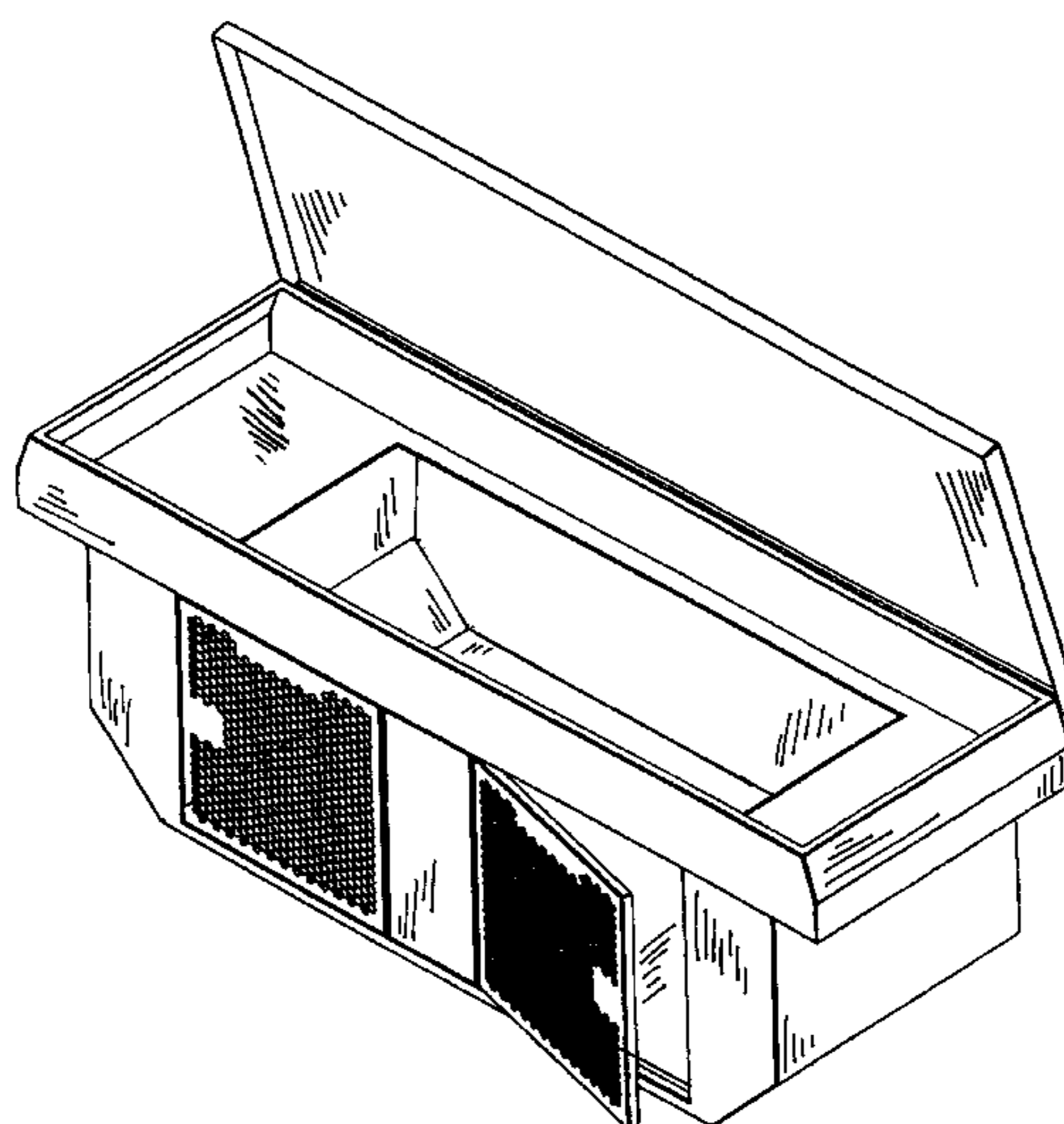
U.S. PATENT DOCUMENTS

- D257,340 S * 10/1980 Grossman D12/414.1
- D259,413 S * 6/1981 Rehkopf D12/414.1
- D274,139 S * 6/1984 Suffern et al. D12/414.1
- 4,967,944 A * 11/1990 Waters 224/404
- D317,720 S * 6/1991 Fielder D12/414.1
- D317,868 S * 7/1991 Fielder D12/414.1
- D353,046 S * 12/1994 Whitaker D3/273
- 5,419,476 A * 5/1995 White 224/404
- 5,439,150 A * 8/1995 Trahms 224/404
- D369,342 S * 4/1996 Williams D12/414.1
- D403,654 S * 1/1999 Houry D12/414.1
- D426,511 S * 6/2000 Mehuron D12/414.1

* cited by examiner

Primary Examiner—Philip S. Hyder
(74) *Attorney, Agent, or Firm*—Davis & Bujold, P.L.L.C.

1 Claim, 16 Drawing Sheets



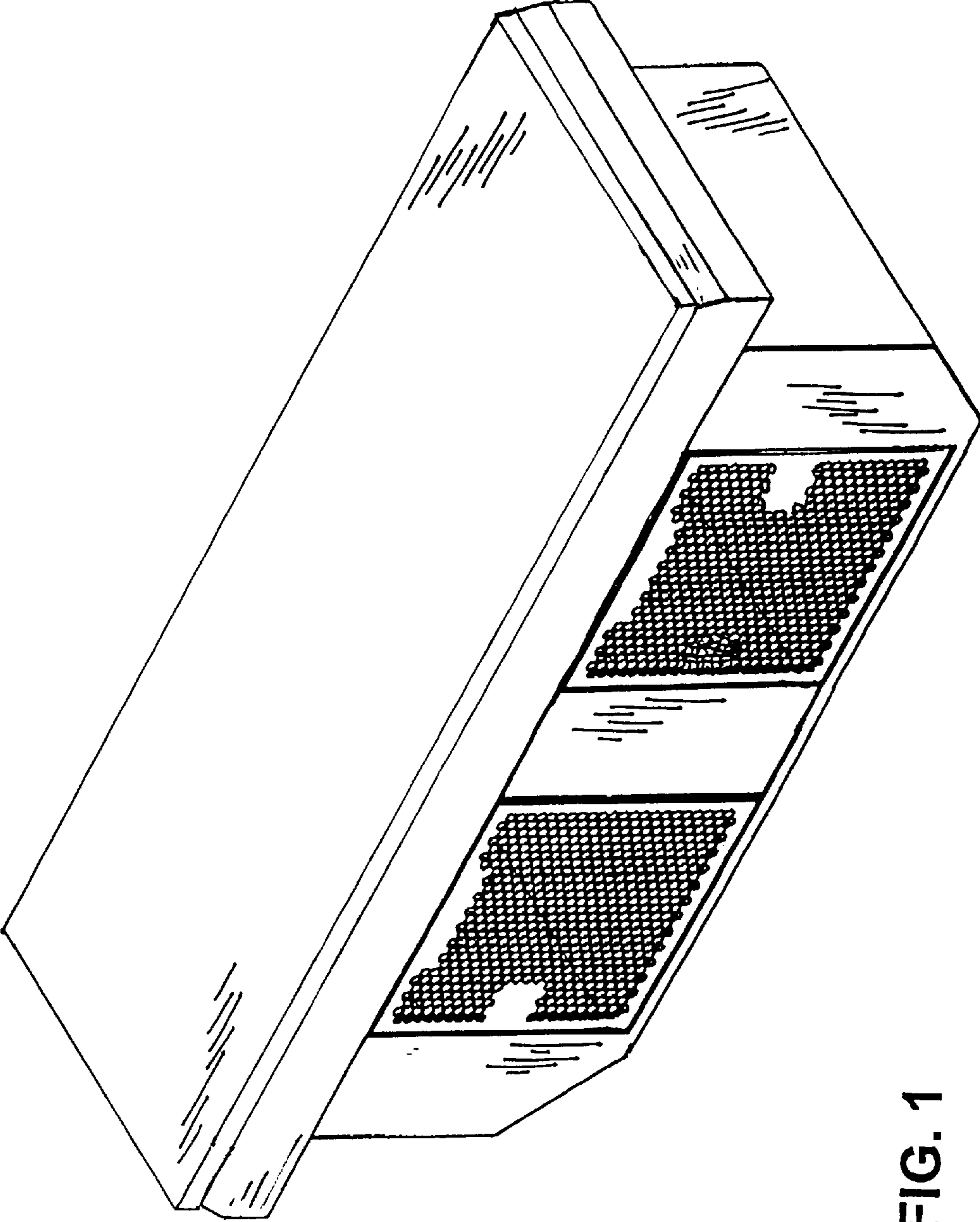


FIG. 1

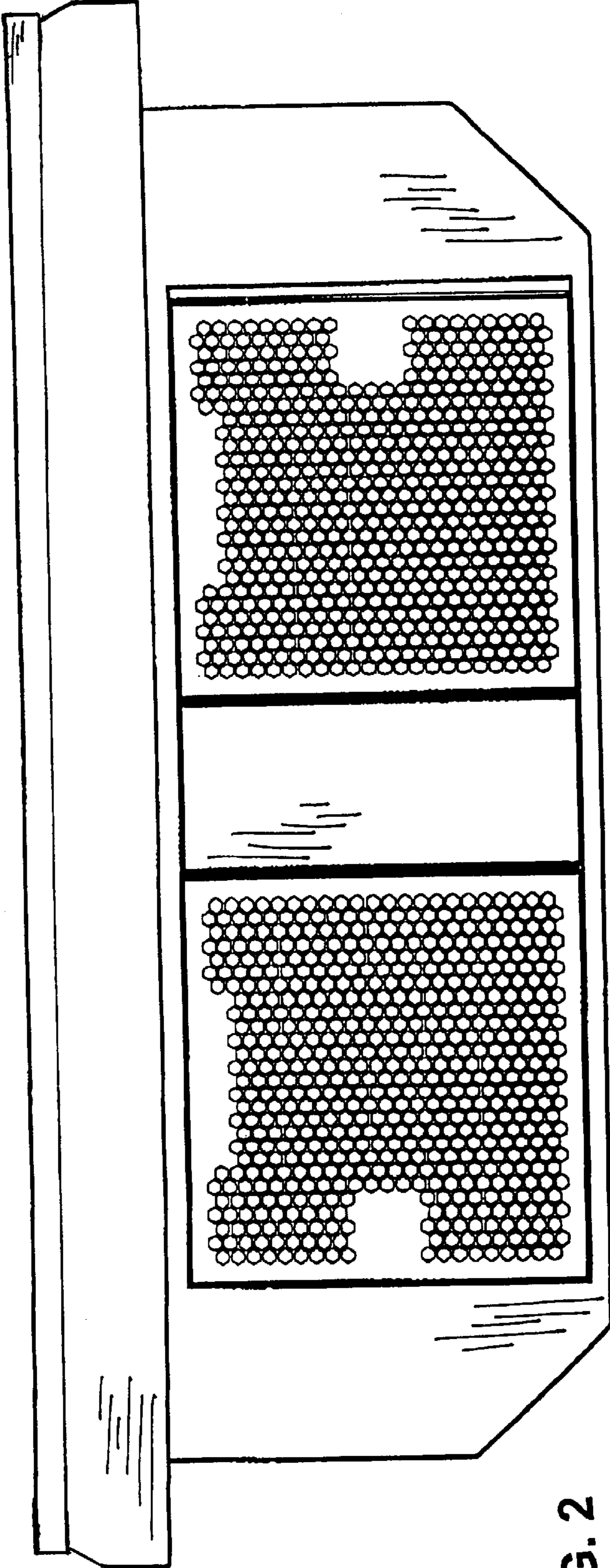


FIG. 2

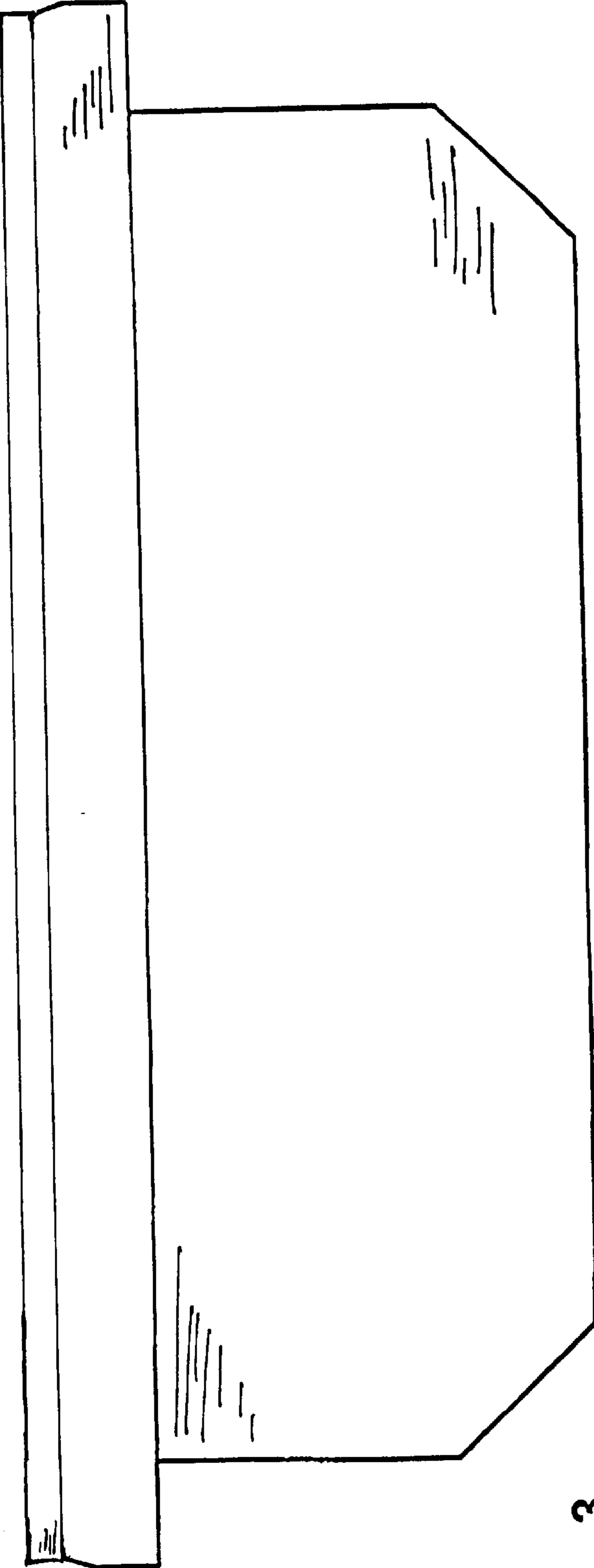


FIG. 3

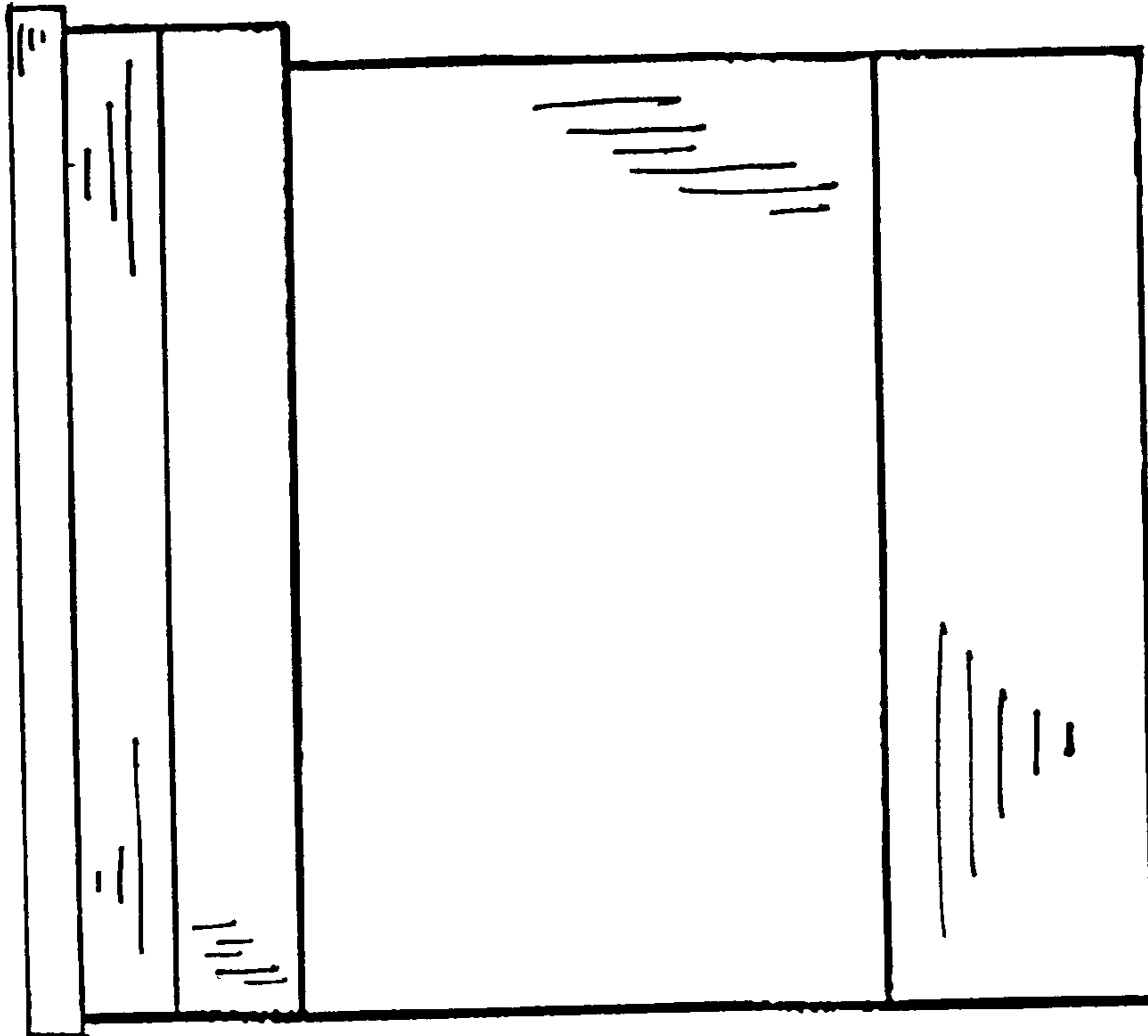


FIG. 4

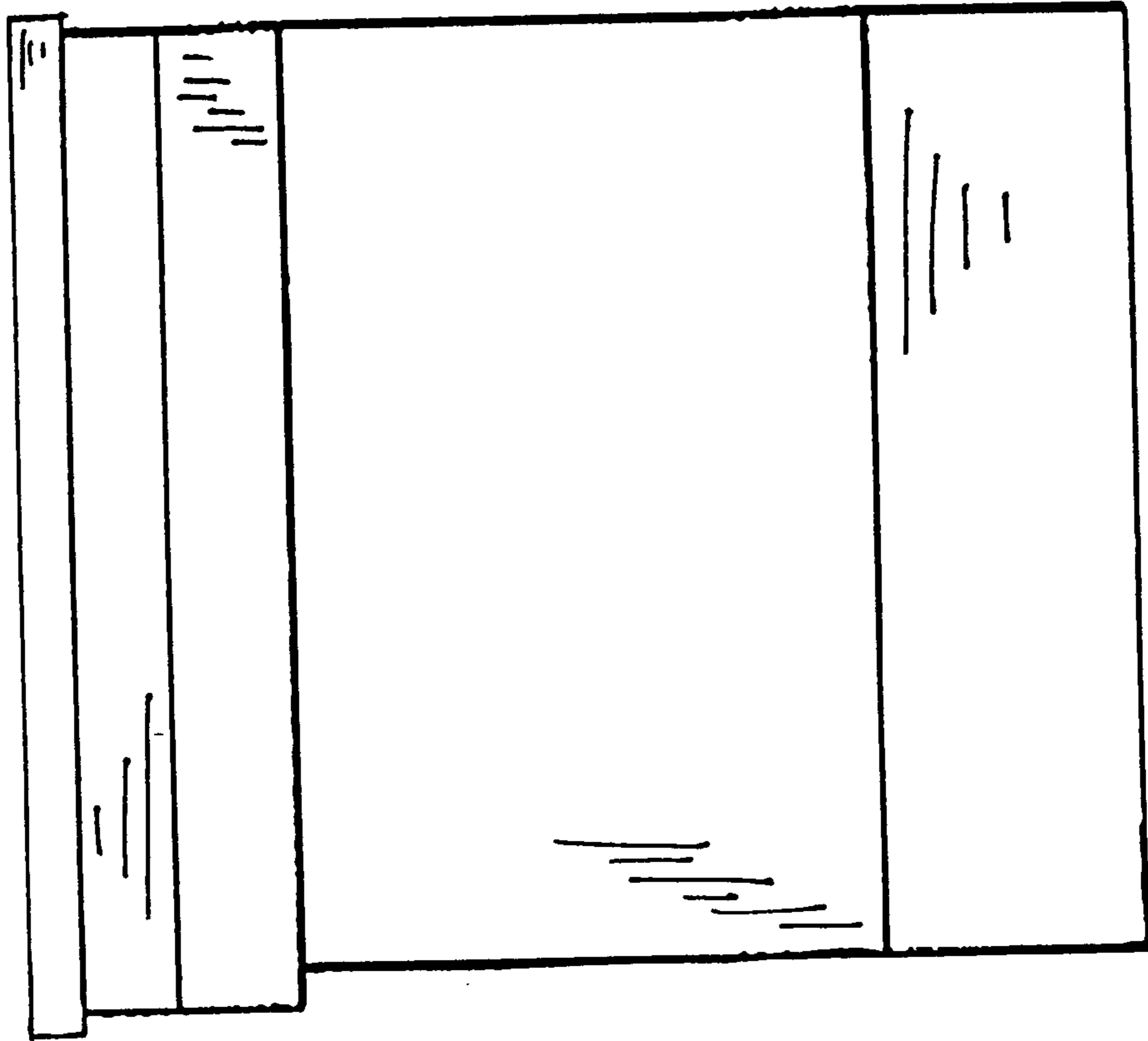


FIG. 5

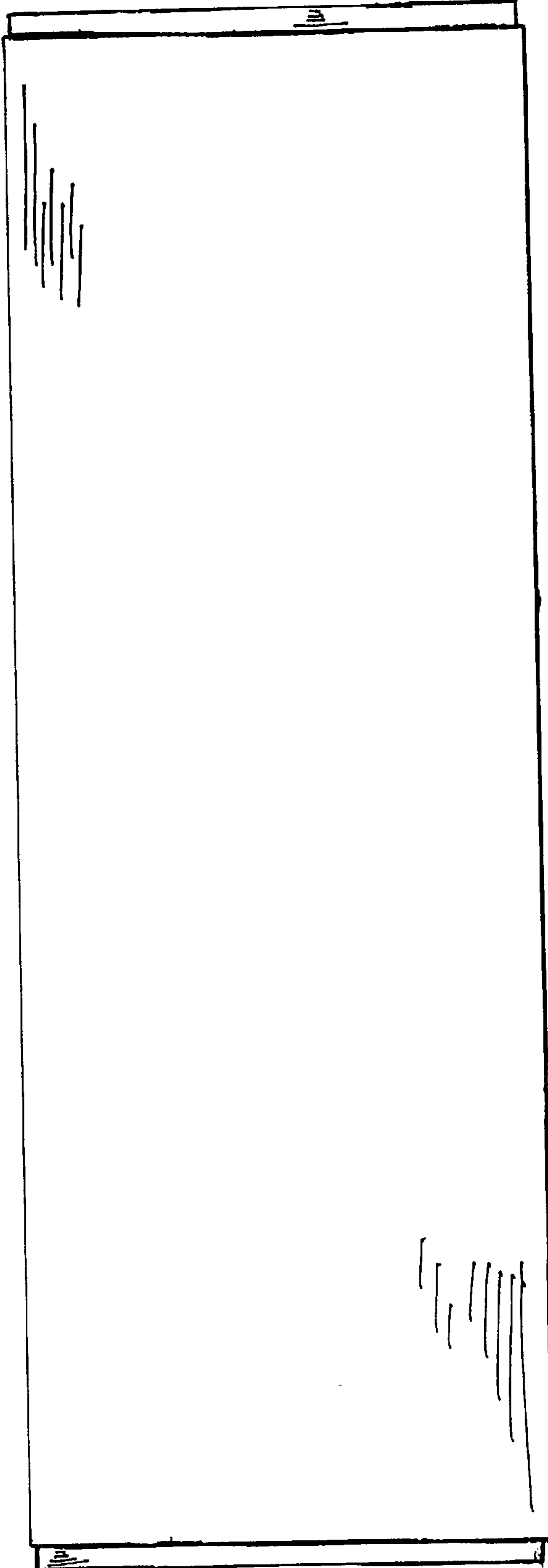


FIG. 6

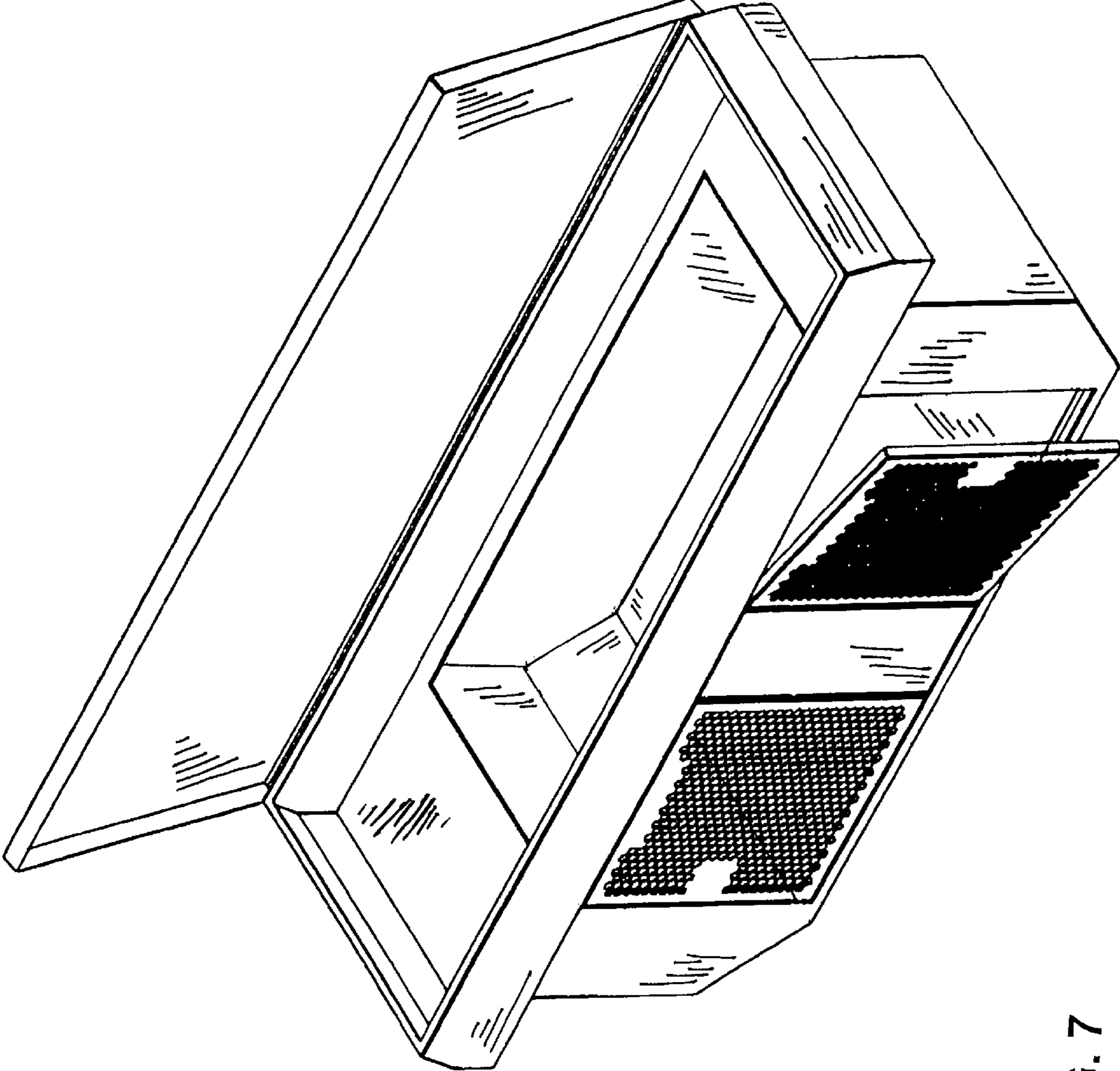


FIG. 7

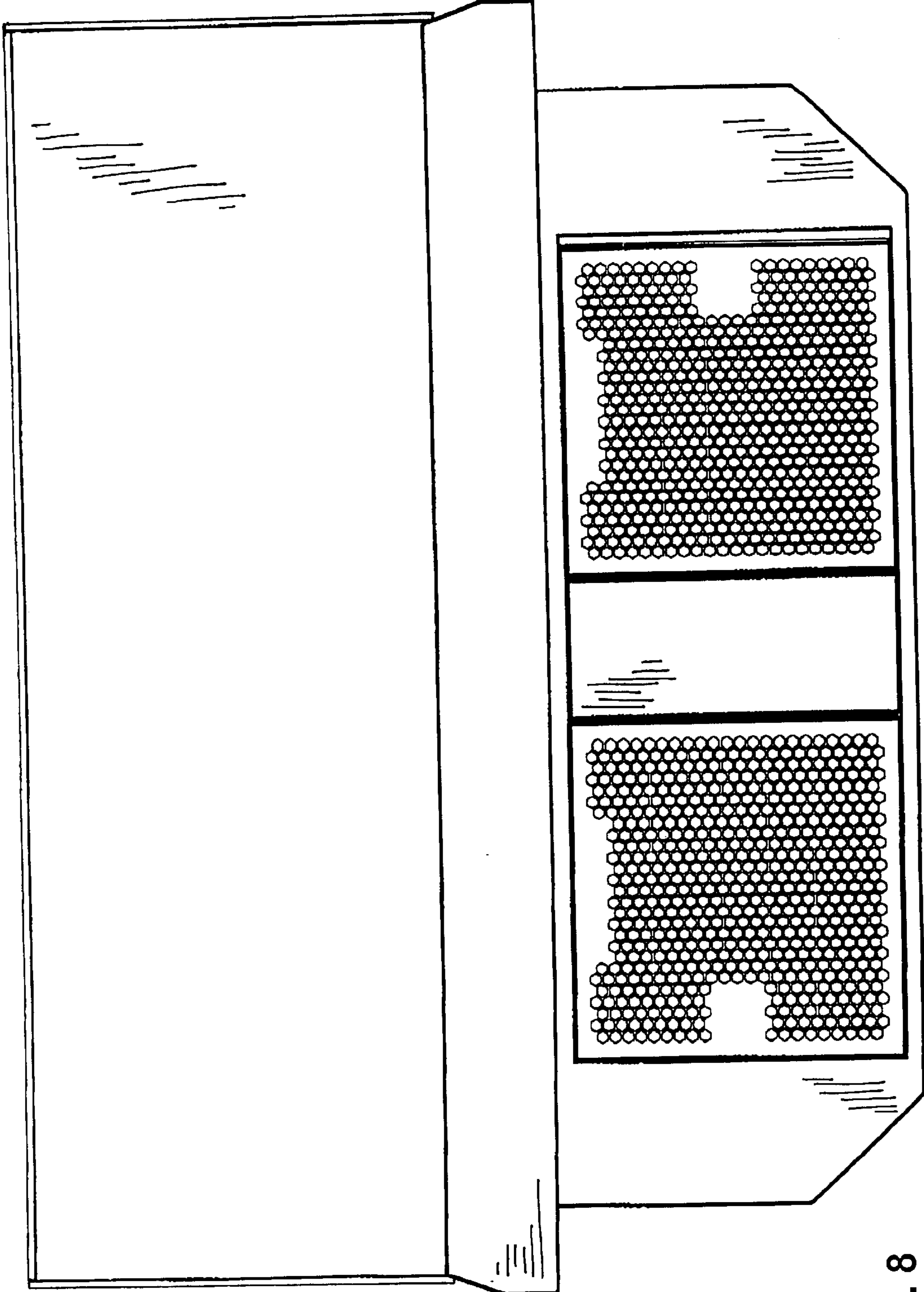


FIG. 8

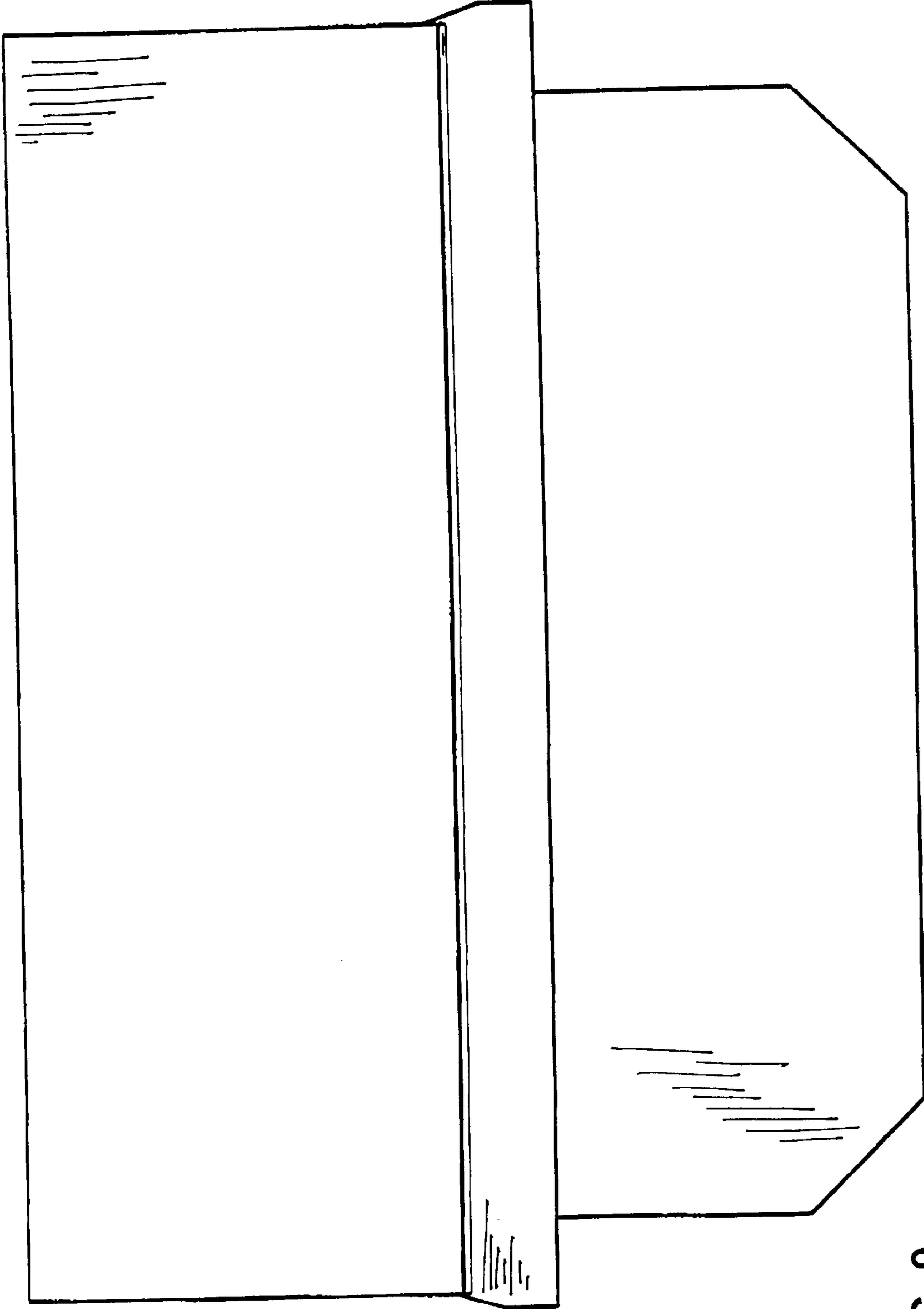


FIG. 9

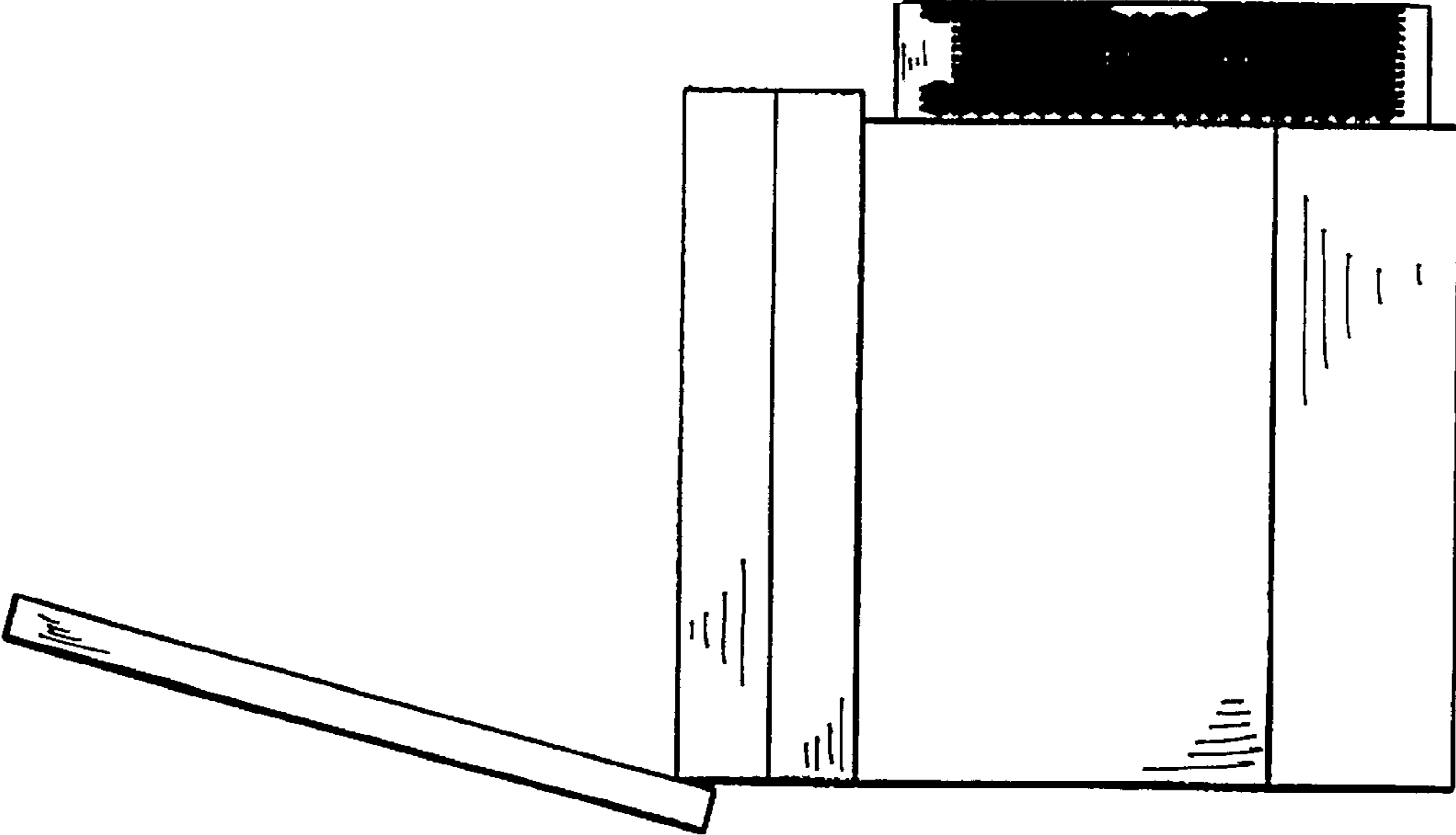


FIG. 10

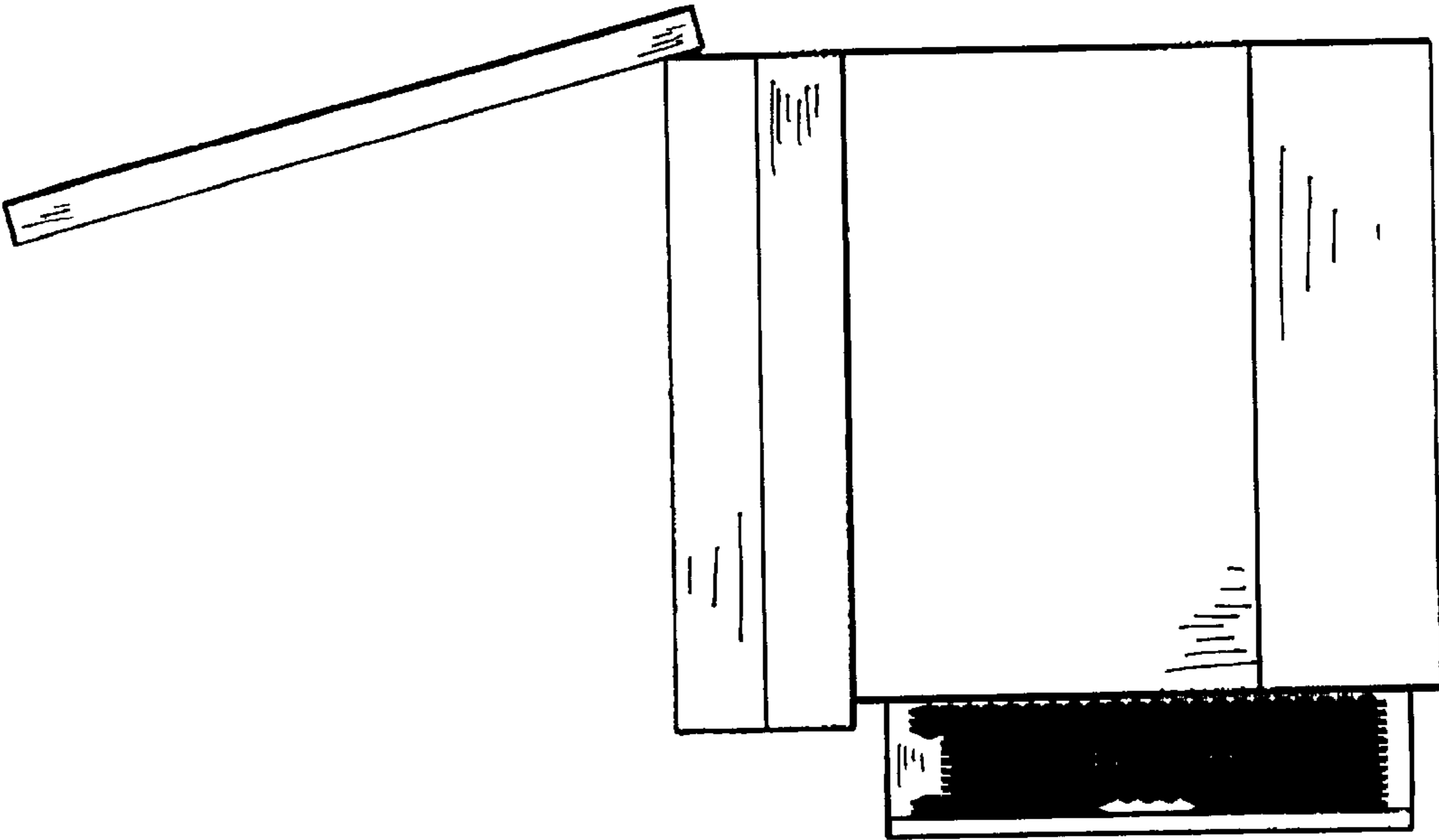


FIG. 11

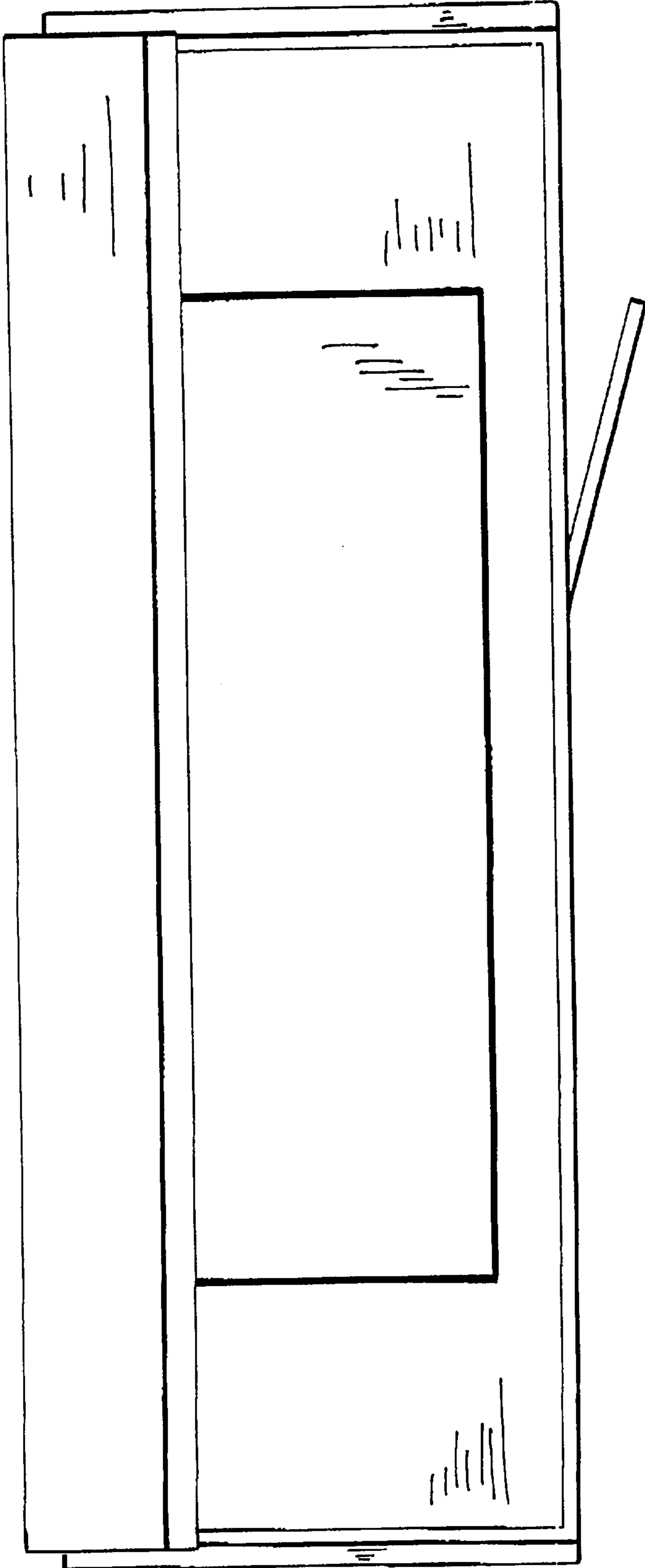


FIG. 12

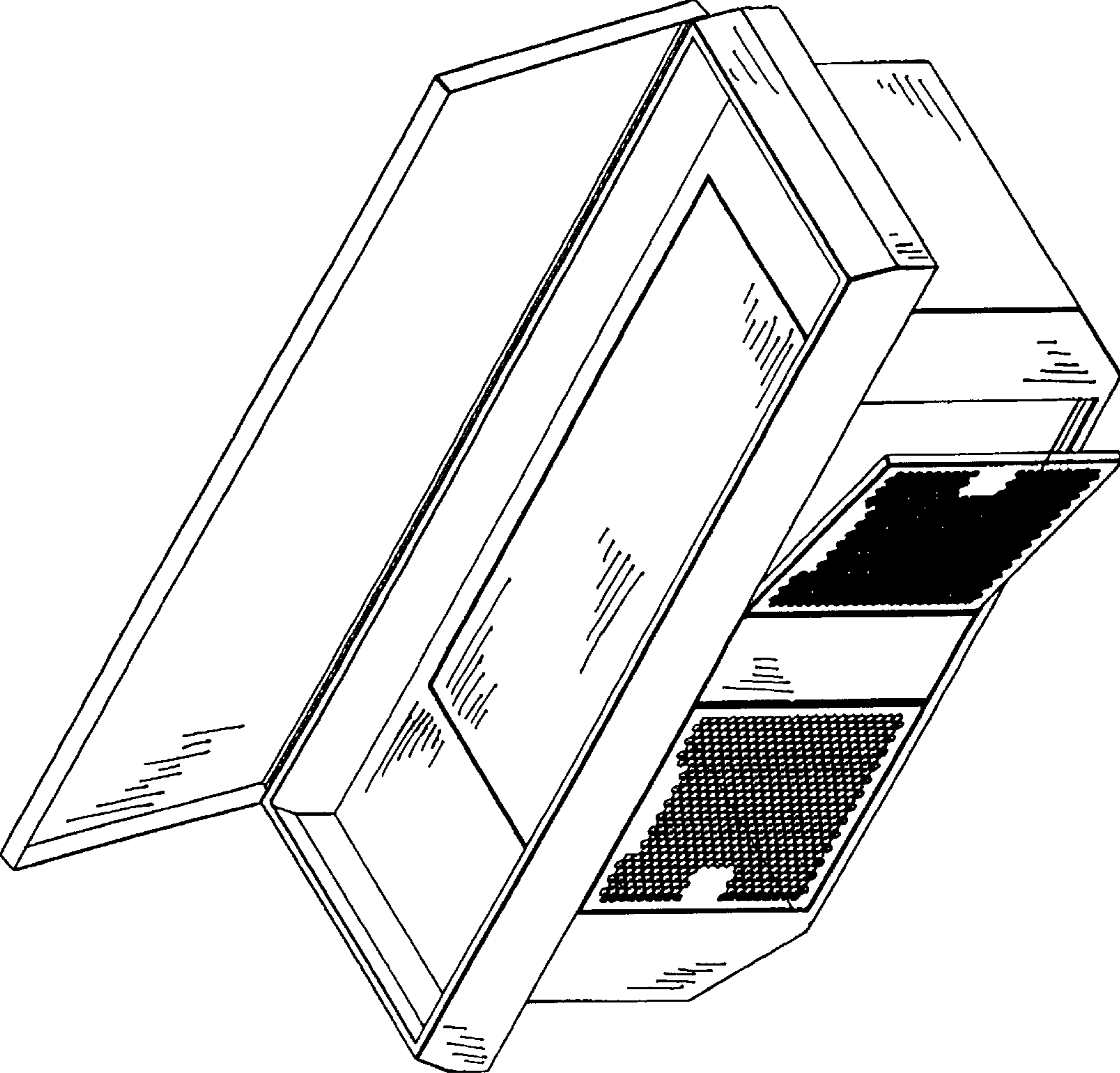


FIG. 13

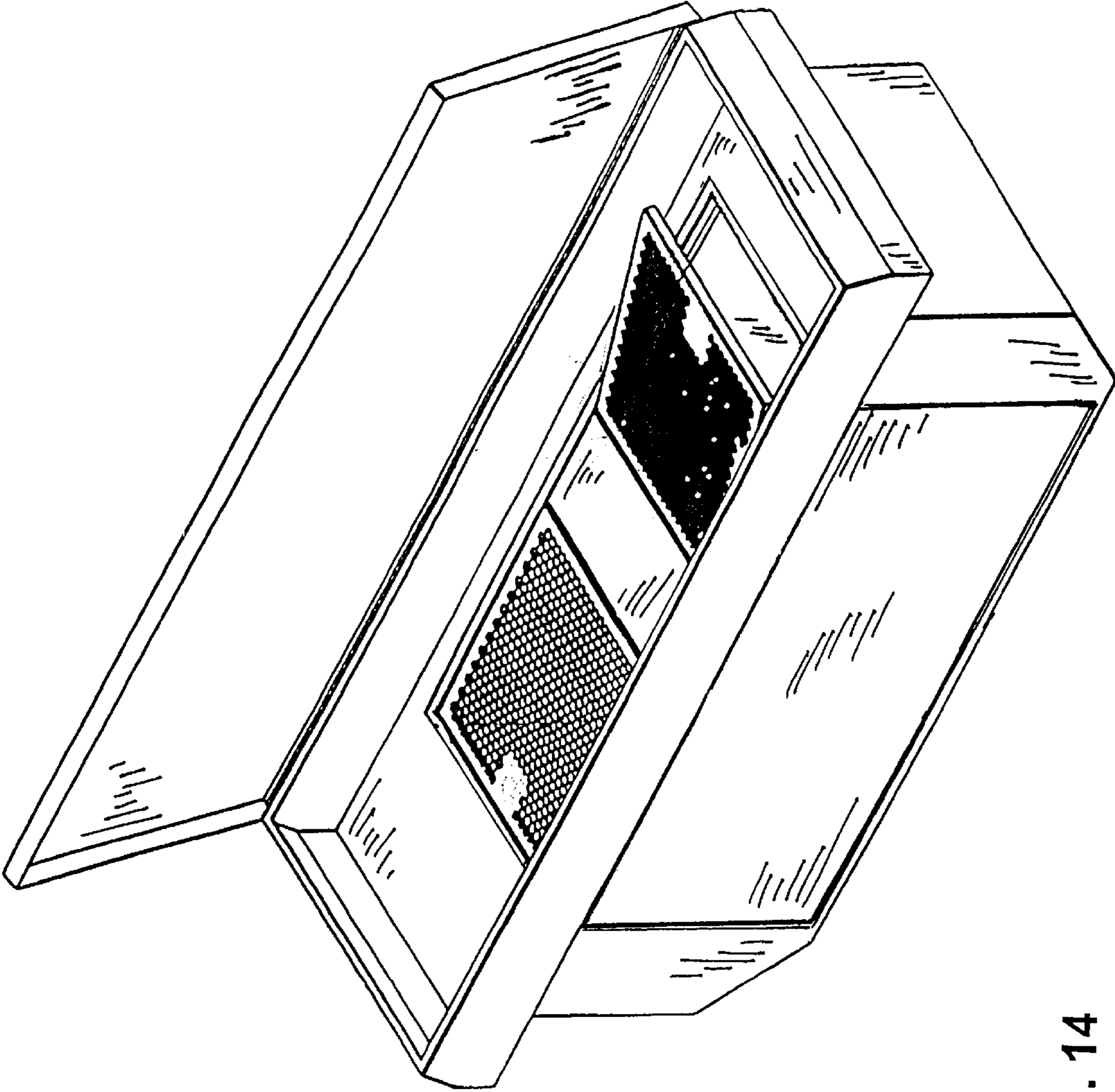


FIG. 14

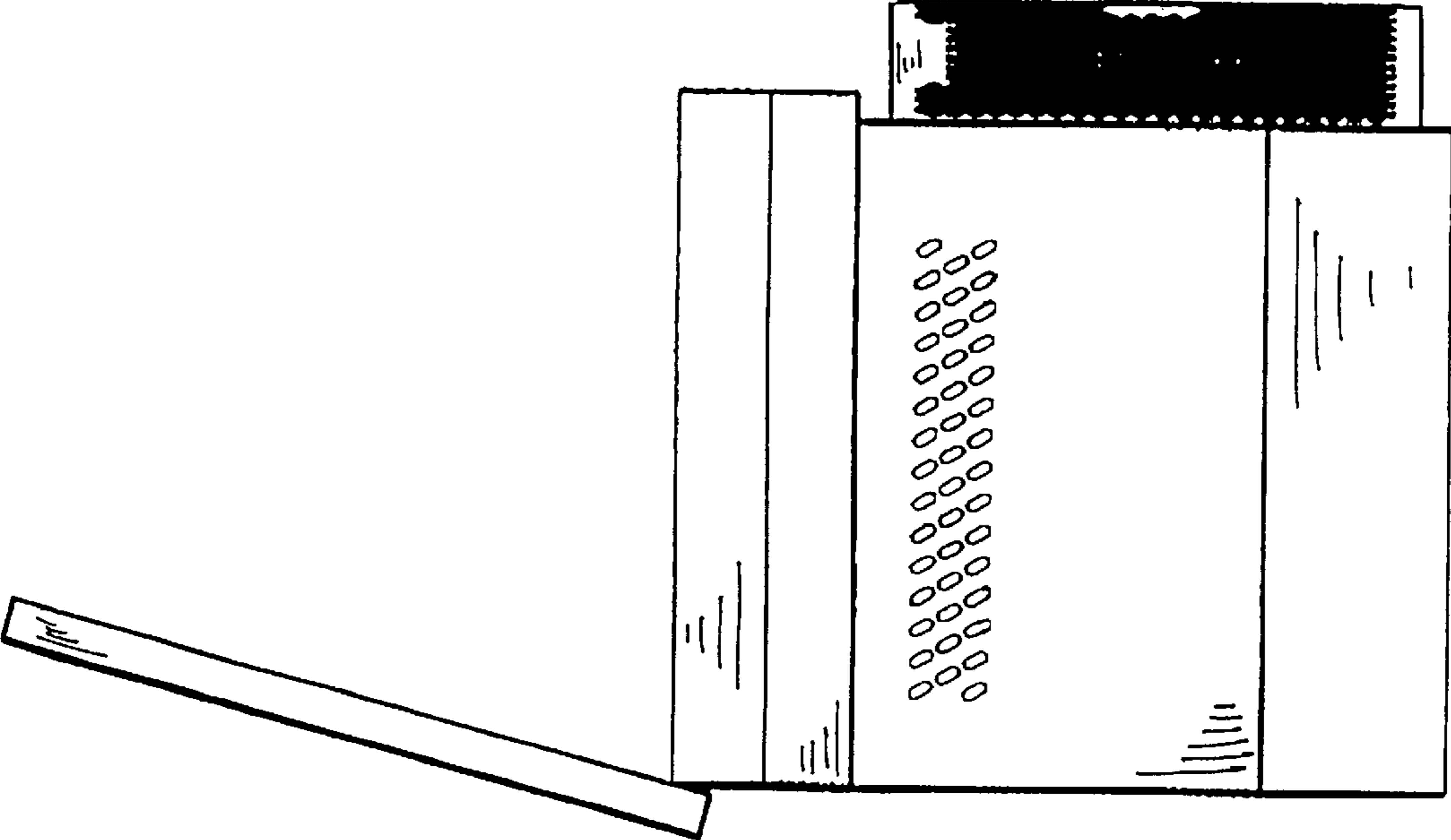


FIG. 15

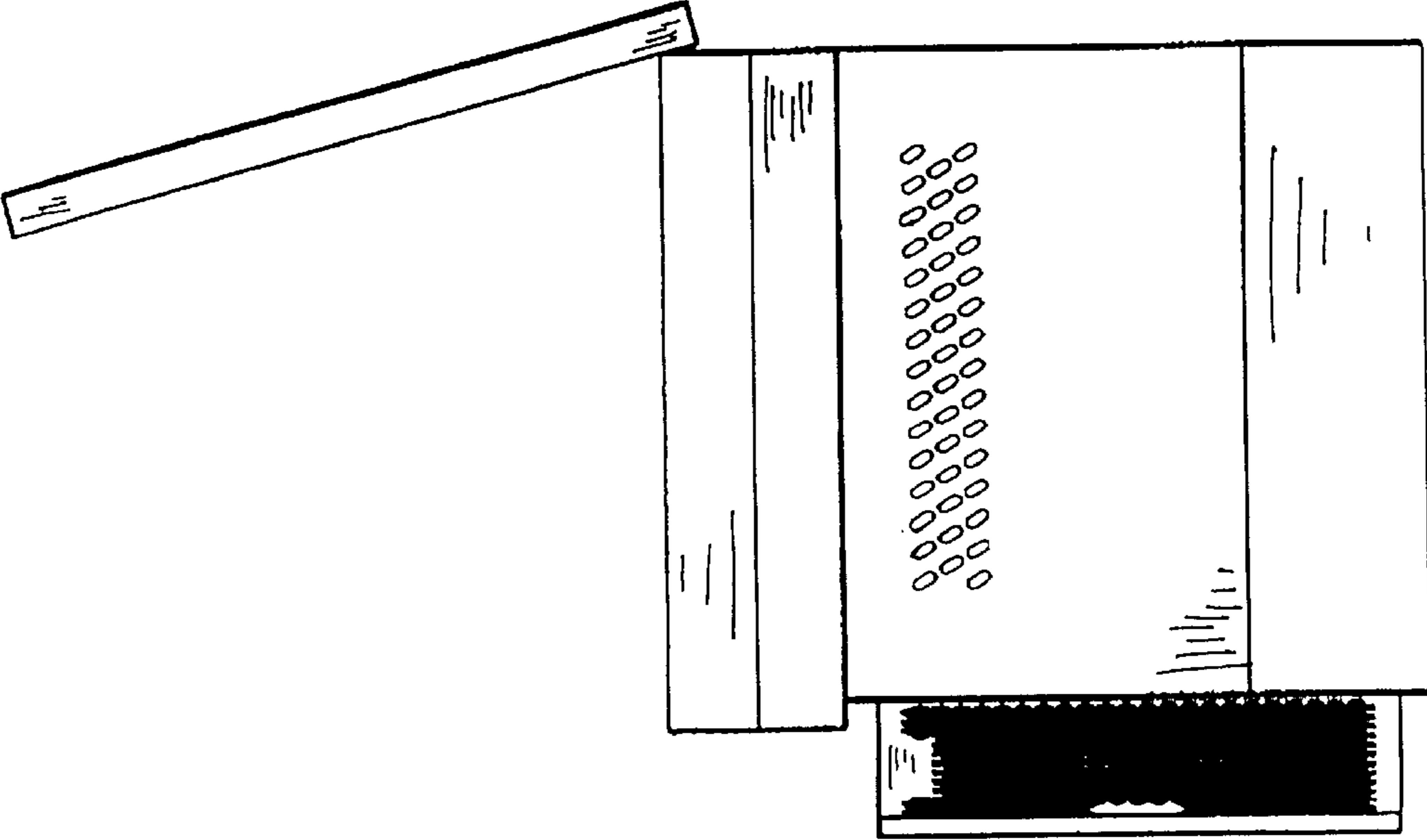


FIG. 16