



US00D515313S

(12) **United States Design Patent** (10) **Patent No.:** **US D515,313 S**
Uffner et al. (45) **Date of Patent:** **** Feb. 21, 2006**

(54) **STACKABLE FRONT ENTRY STORAGE TOTE**

D429,882 S * 8/2000 Lee et al. D3/294

* cited by examiner

(75) Inventors: **Michael Uffner**, Batavia, IL (US);
Torrence Anderson, Overland Park, KS (US)

Primary Examiner—Philip S. Hyder
(74) *Attorney, Agent, or Firm*—McHale & Slavin, P.A.

(73) Assignee: **Suncast Corporation**, Batavia, IL (US)

(57) **CLAIM**

(**) Term: **14 Years**

The ornamental design for a stackable front entry storage tote, as shown and described.

(21) Appl. No.: **29/206,317**

DESCRIPTION

(22) Filed: **May 28, 2004**

(51) **LOC (8) Cl.** **03-01**

(52) **U.S. Cl.** **D3/294; D3/273**

(58) **Field of Classification Search** D3/273,
D3/272, 294, 302; D9/420, 423, 425; 206/501,
206/503, 508, 509, 511; 280/47.18; 220/780;
D34/40

See application file for complete search history.

FIG. 1 is a perspective view of the stackable front entry storage tote of the instant invention with lid closed;
FIG. 2 is a front view thereof;
FIG. 3 is a left side view thereof;
FIG. 4 is a right side view thereof;
FIG. 5 is a top view thereof;
FIG. 6 is an exploded front view with lid detached;
FIG. 7 is an exploded back view of FIG. 6;
FIG. 8 depicts FIG. 1 with the lid open;
FIG. 9 depicts a first storage tote on top of a second storage tote, the broken line showing of the first storage tote is for illustrative purposes only and forms no part of the claimed design.

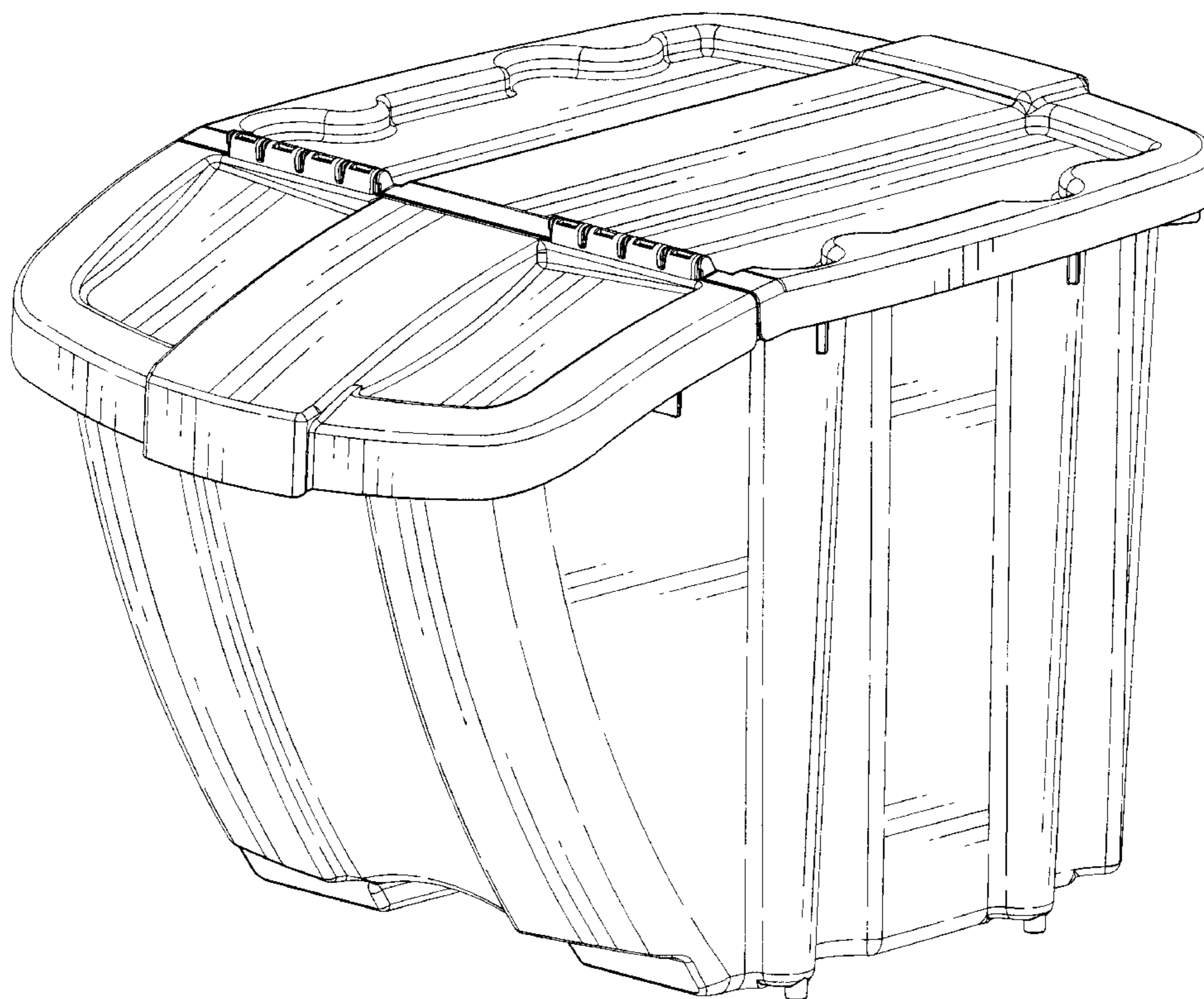
(56) **References Cited**

U.S. PATENT DOCUMENTS

- D242,659 S * 12/1976 Clipson et al. D3/307
- D311,799 S * 10/1990 Embree et al. D3/294
- 5,038,937 A * 8/1991 DiSesa, Jr. 206/501
- D330,328 S * 10/1992 DiSesa, Jr. D3/294
- D336,243 S * 6/1993 Evans D9/425
- 5,445,397 A * 8/1995 Evans 280/47.18
- D386,904 S * 12/1997 Bradshaw, Jr. D3/273

FIG. 10 depicts two stacked storage totes, the broken line showing of the upper storage tote is for illustrative purposes only and forms no part of the claimed design; and,
FIG. 11 depicts two stacked storage totes.

1 Claim, 11 Drawing Sheets



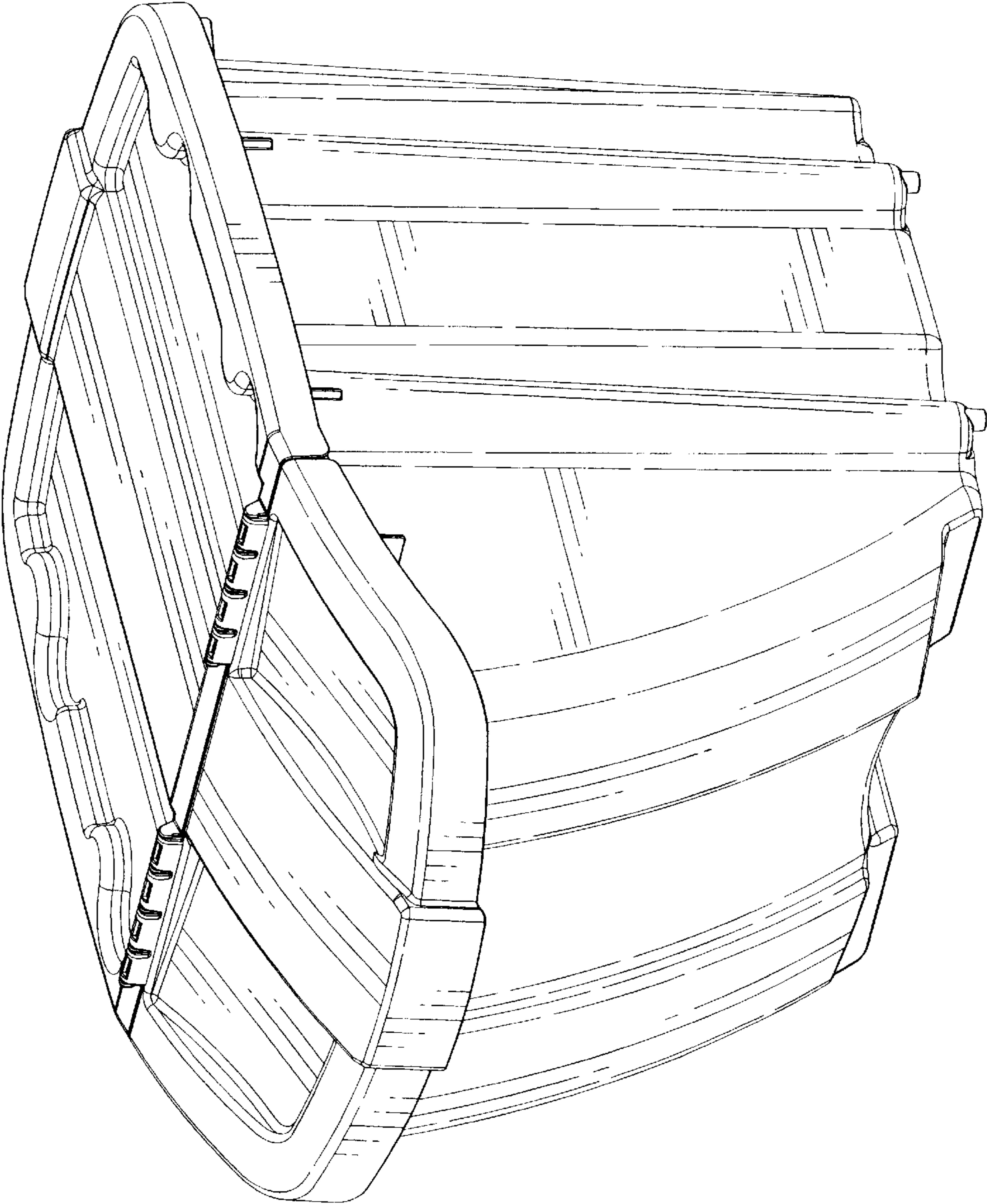


FIGURE 1

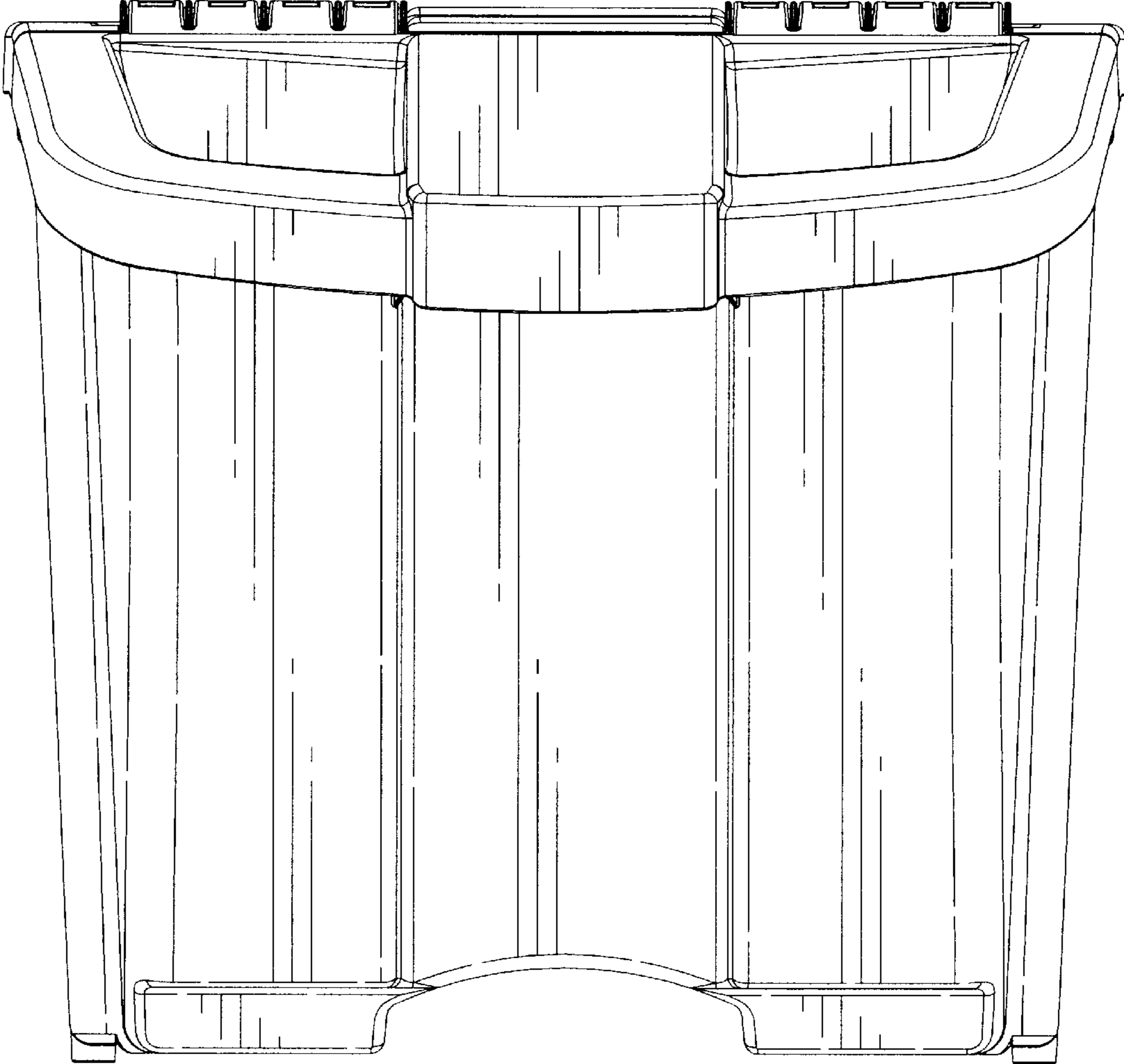


FIGURE 2

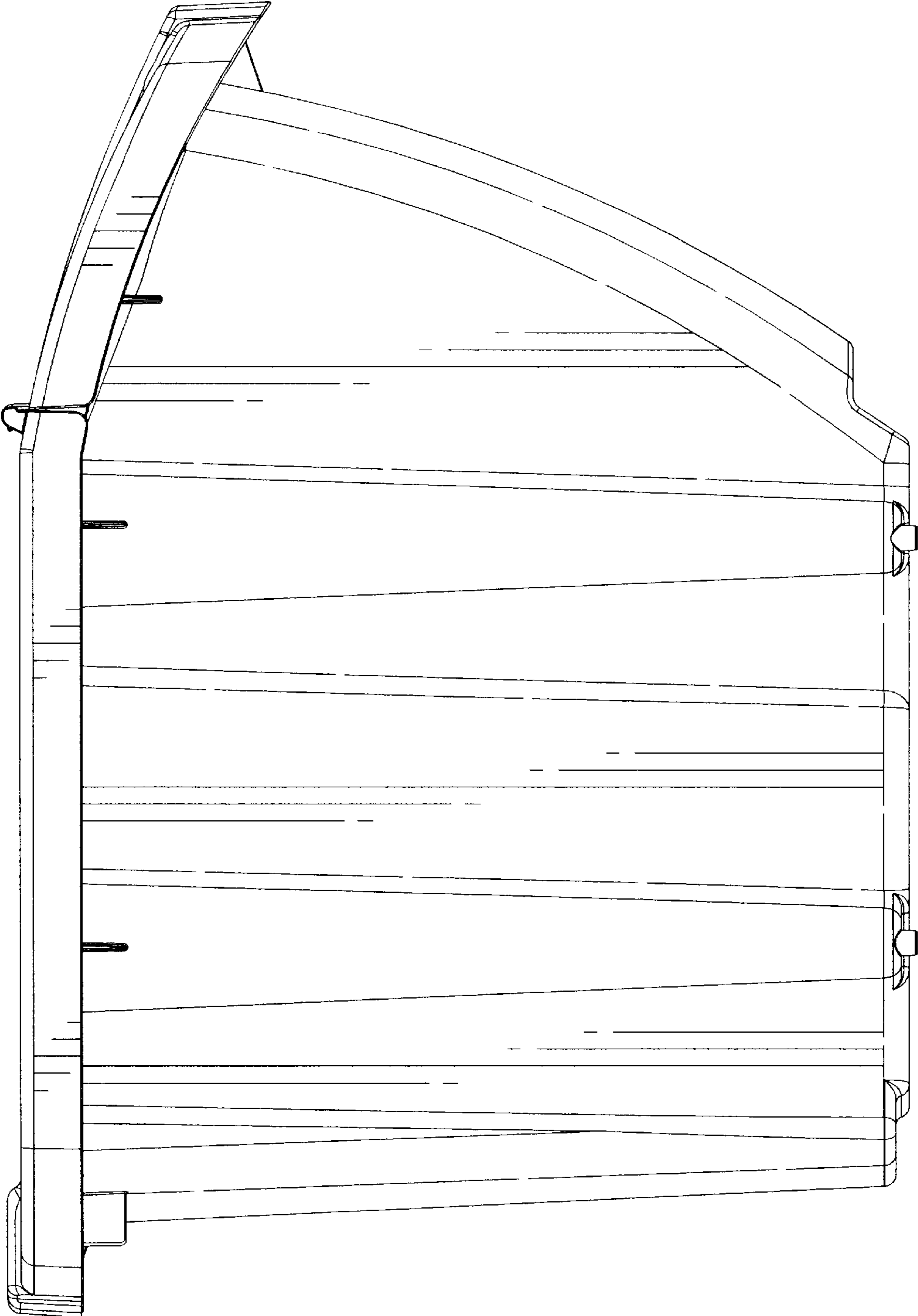


FIGURE 3

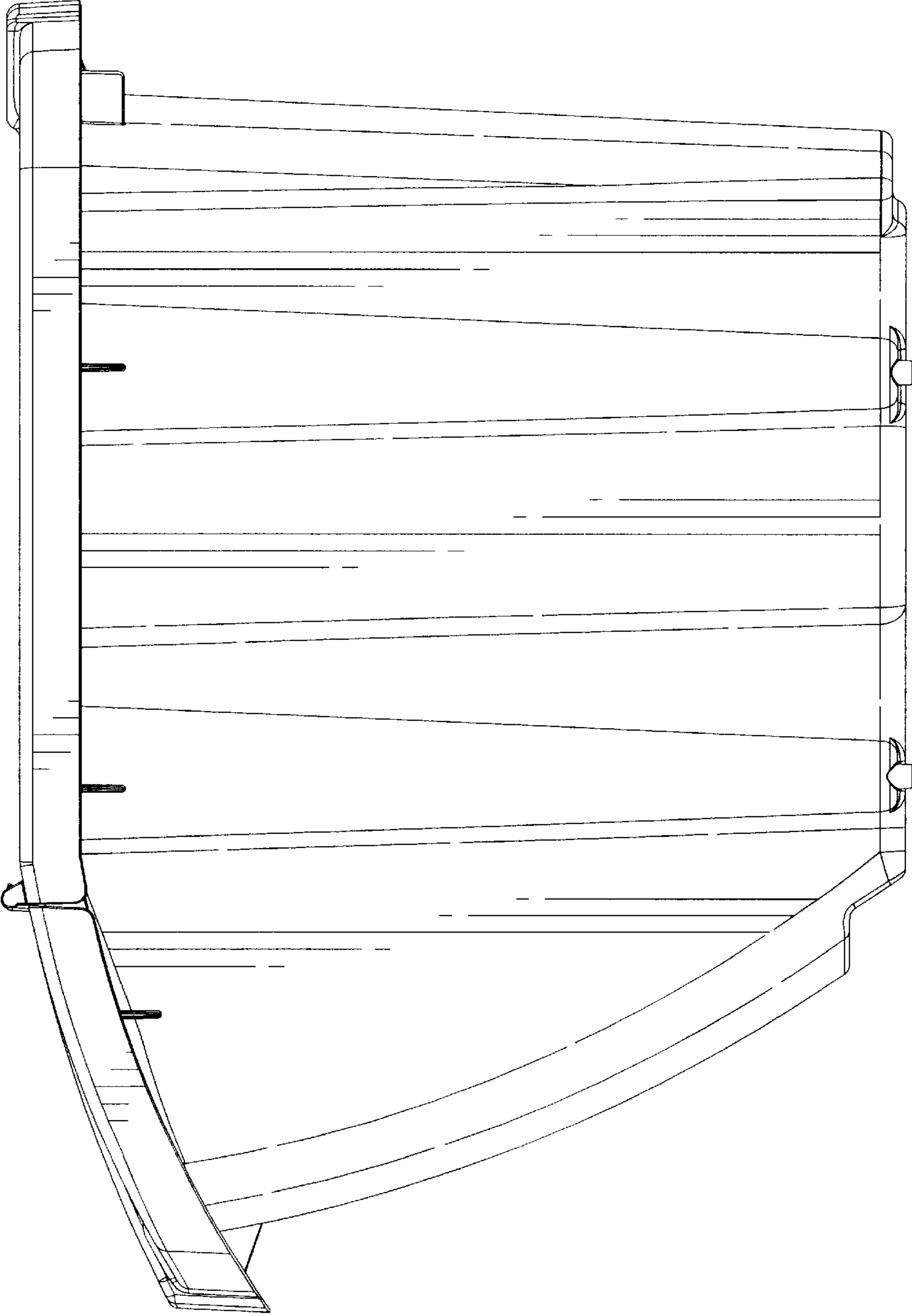


FIGURE 4

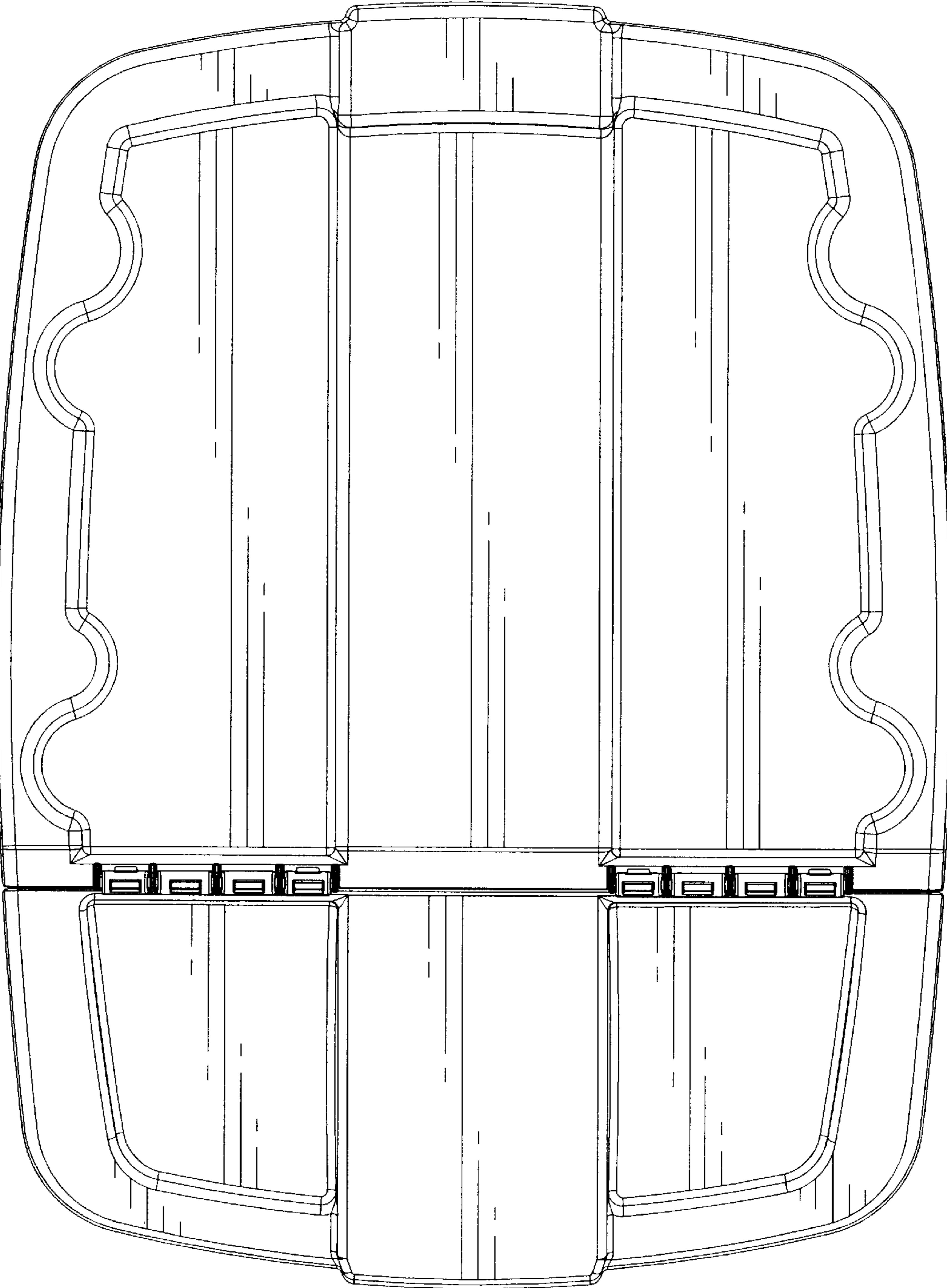


FIGURE 5

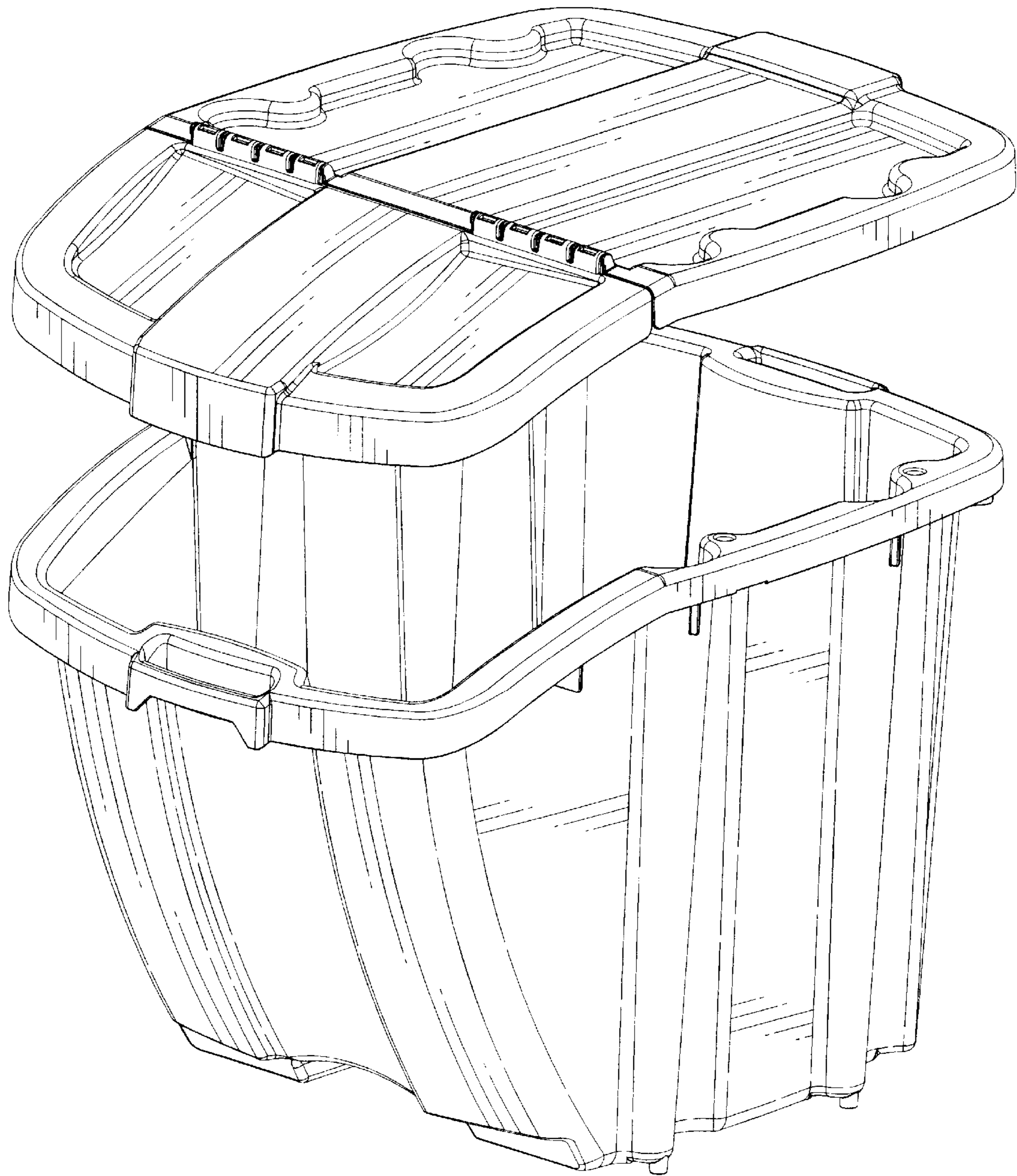


FIGURE 6

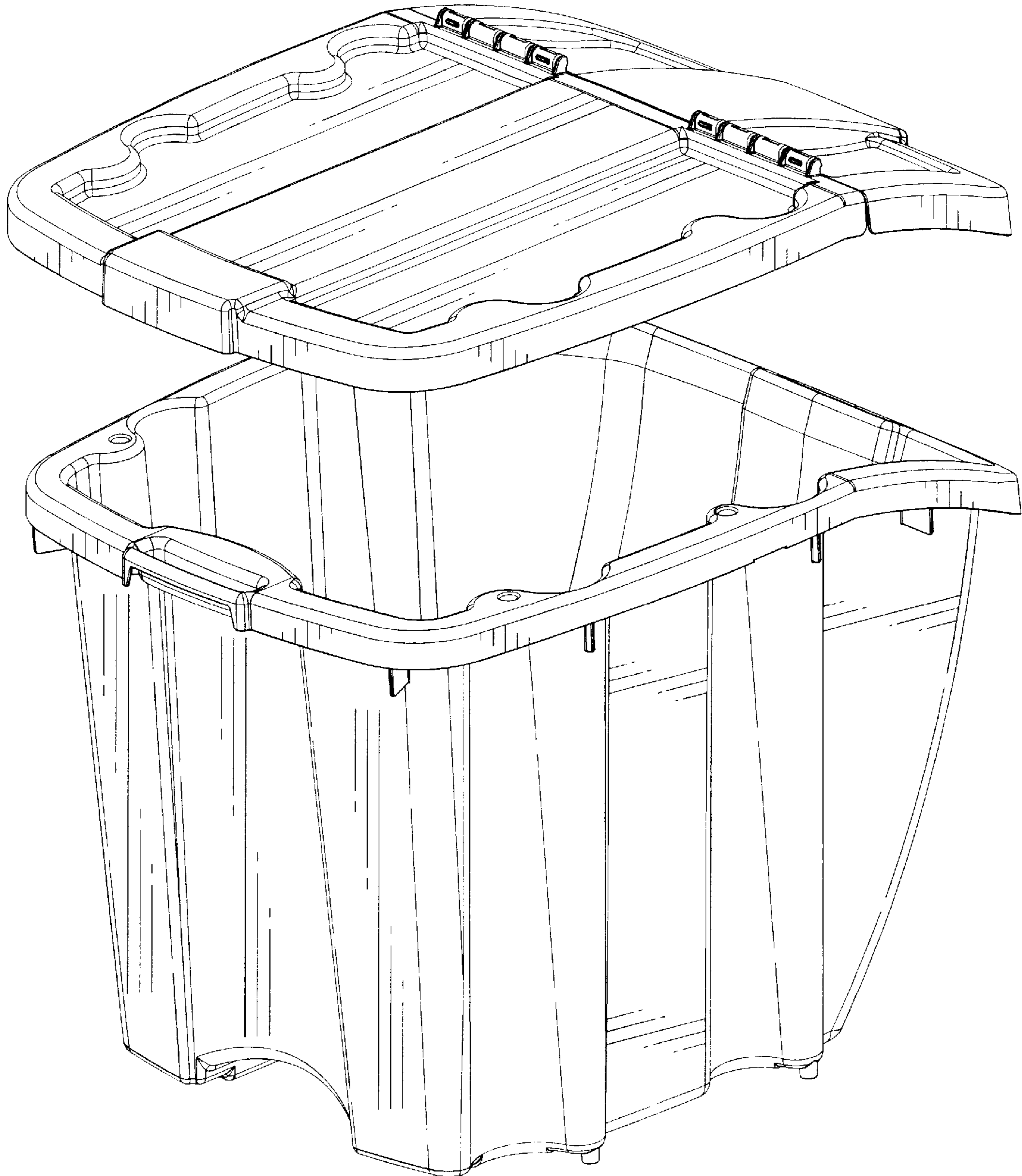


FIGURE 7

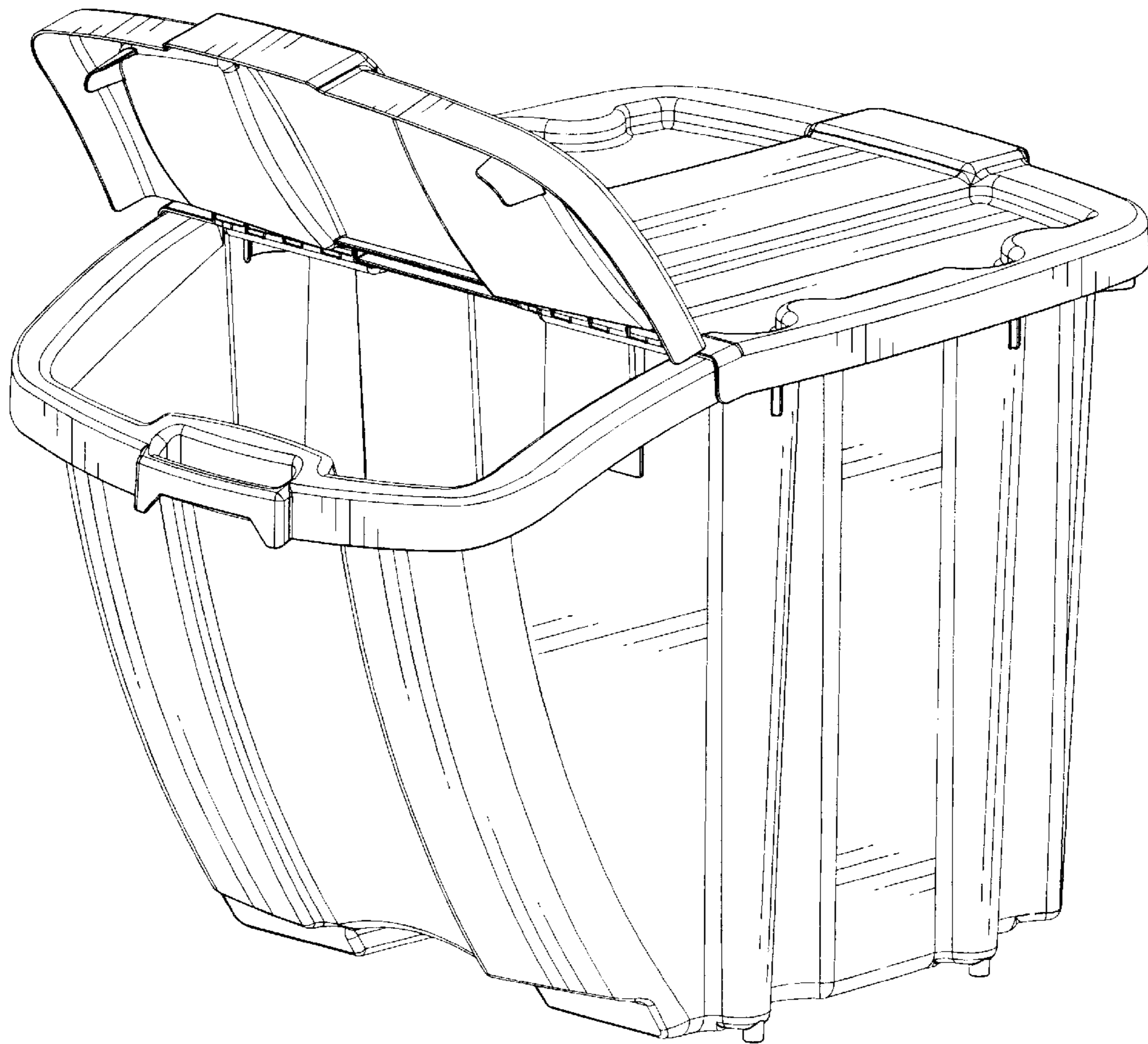


FIGURE 8

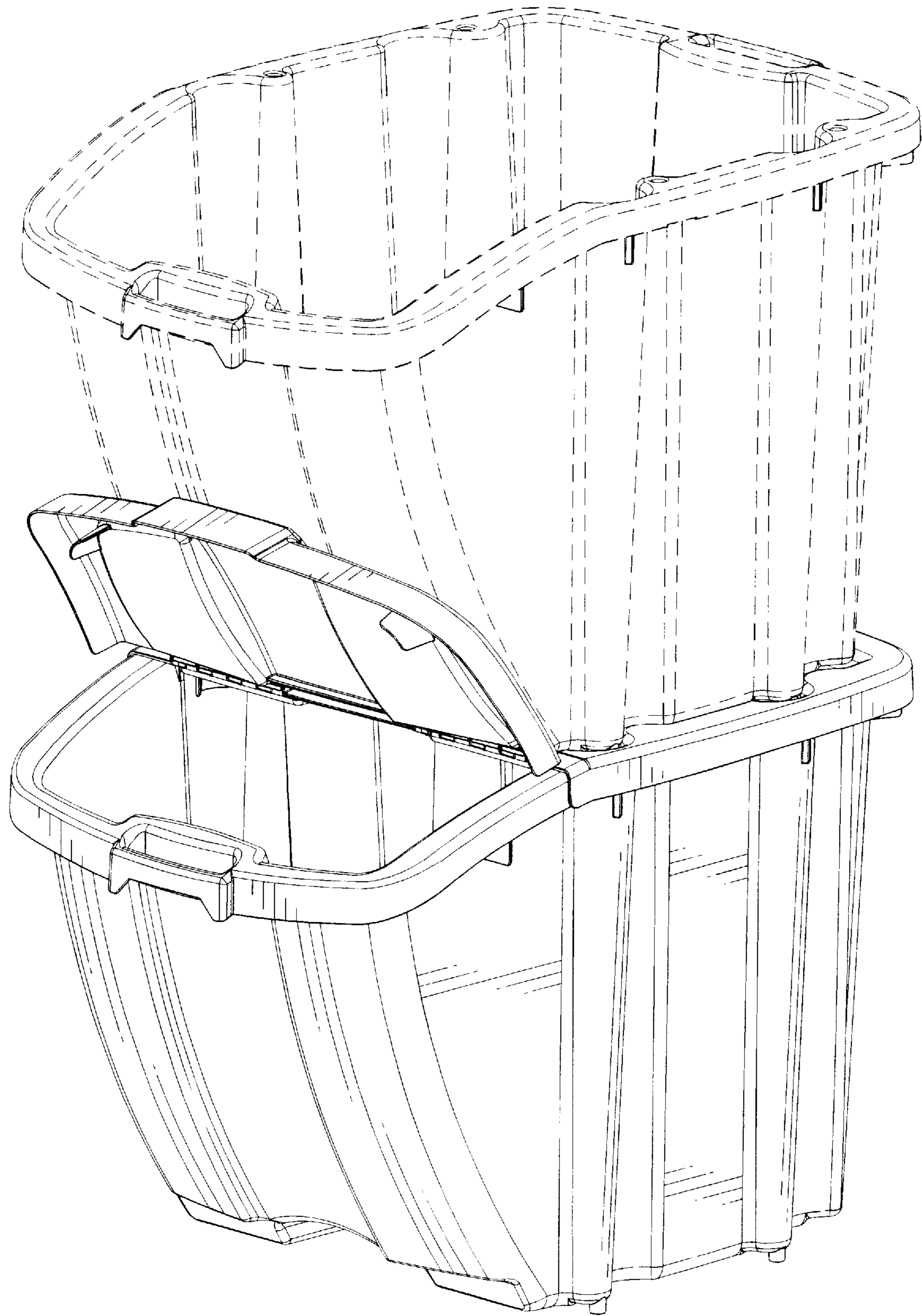


FIGURE 9

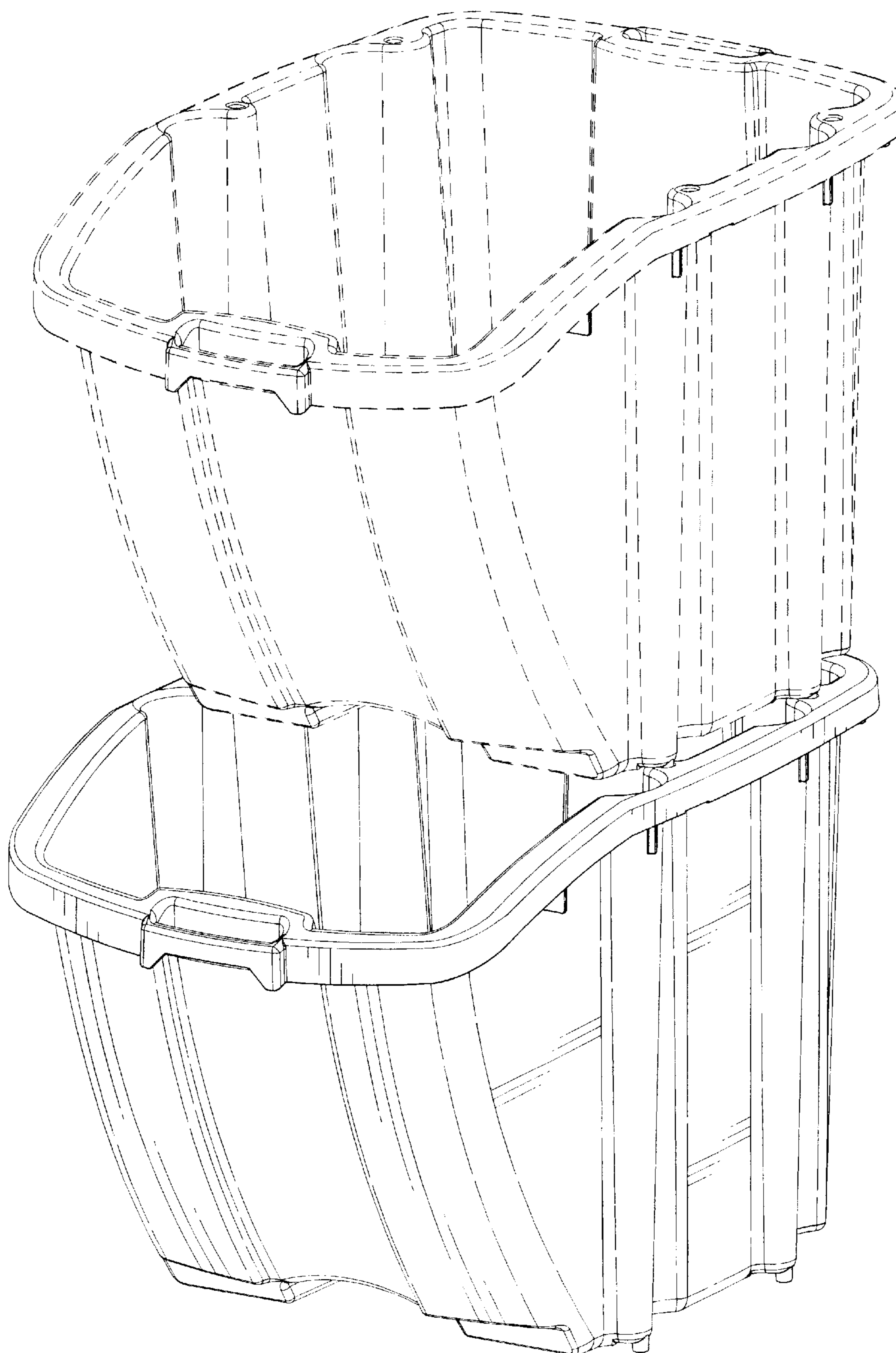


FIGURE 10

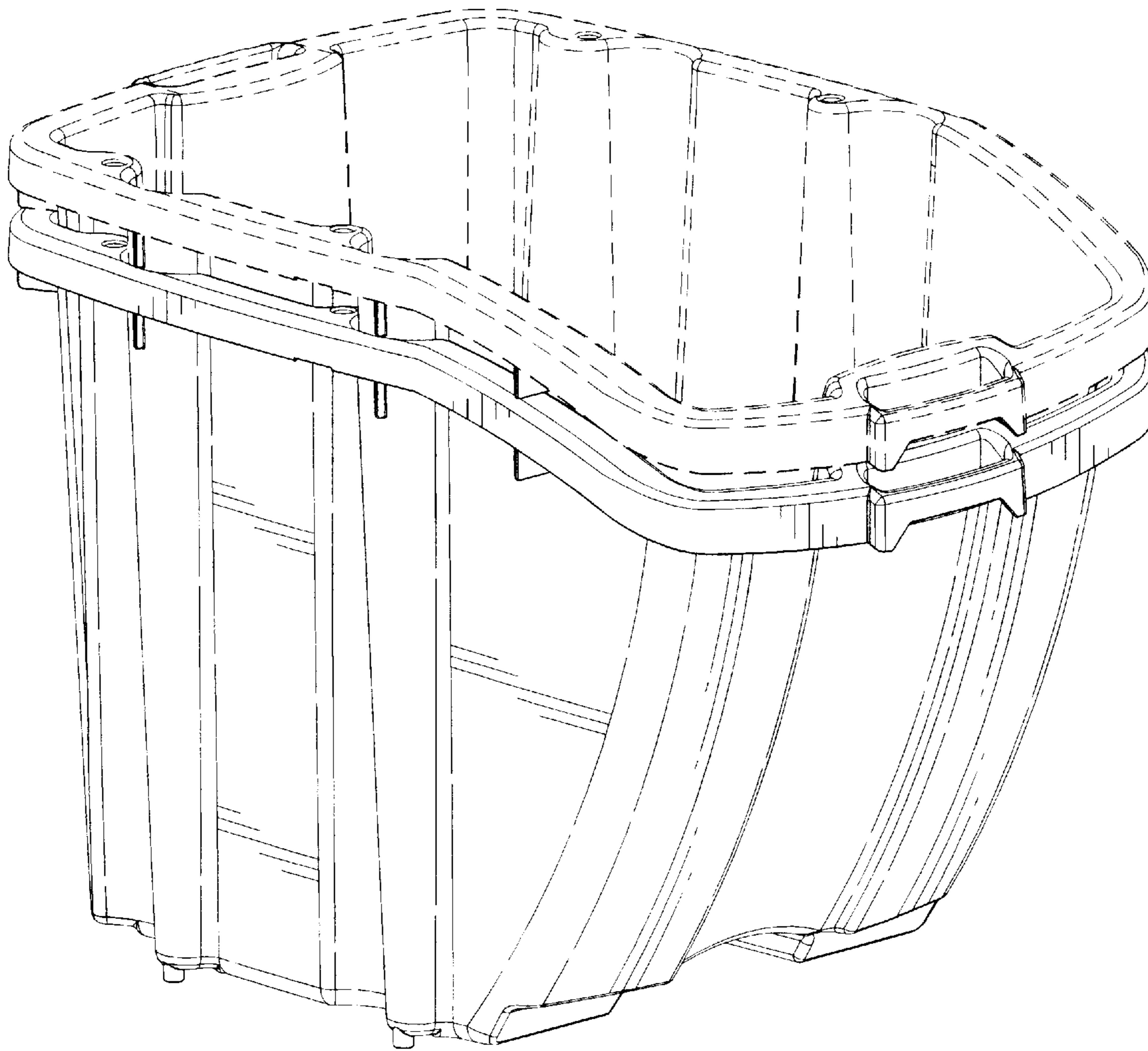


FIGURE 11