



US00D515312S

(12) **United States Design Patent** (10) **Patent No.:** **US D515,312 S**  
**Clark** (45) **Date of Patent:** **\*\* Feb. 21, 2006**

(54) **FLEXIBLE HOLSTER**

(76) Inventor: **Edward Lewis Clark**, 880 W. Rialto Ave., Rialto, CA (US) 92376

(\*\*) Term: **14 Years**

(21) Appl. No.: **29/221,170**

(22) Filed: **Jan. 12, 2005**

(51) **LOC (8) Cl.** ..... **03-01**

(52) **U.S. Cl.** ..... **D3/222**

(58) **Field of Classification Search** ..... D3/222,  
D3/223, 220, 228; 224/192, 193, 238, 234,  
224/242, 904, 911, 673-677, 680, 901.4  
See application file for complete search history.

(56) **References Cited**

**U.S. PATENT DOCUMENTS**

D356,677 S	*	3/1995	Kalasountas	.....	D3/222
D414,331 S	*	9/1999	Lichtenberger	.....	D3/228
D414,337 S	*	9/1999	Hubert	.....	D3/315
D437,998 S	*	2/2001	Williamson	.....	D3/228
6,561,402 B2	*	5/2003	Holland et al.	.....	224/677

2003/0006257 A1 \* 1/2003 Aberman ..... 224/677  
2004/0089689 A1 \* 5/2004 Lammerding ..... 224/673

\* cited by examiner

*Primary Examiner*—Catherine R. Oliver

(57) **CLAIM**

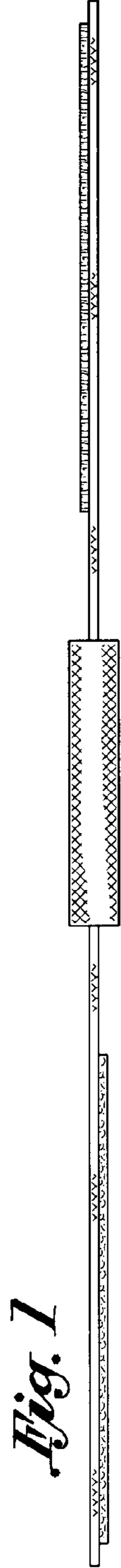
The ornamental design for a flexible holster, as shown and described.

**DESCRIPTION**

FIG. 1 is a top view of a flexible holster in unfolded position showing my new design;  
FIG. 2 is a right side elevation view thereof;  
FIG. 3 is front elevation view thereof;  
FIG. 4 is a left side elevation view thereof;  
FIG. 5 is a bottom view thereof;  
FIG. 6 is a rear elevation view thereof; and,  
FIG. 7 is a front view similar to FIG. 1 but in folded position in conjunction with a tool and a partial view of a belt. The tool and the belt are shown in broken lines and form no part of the claimed invention.

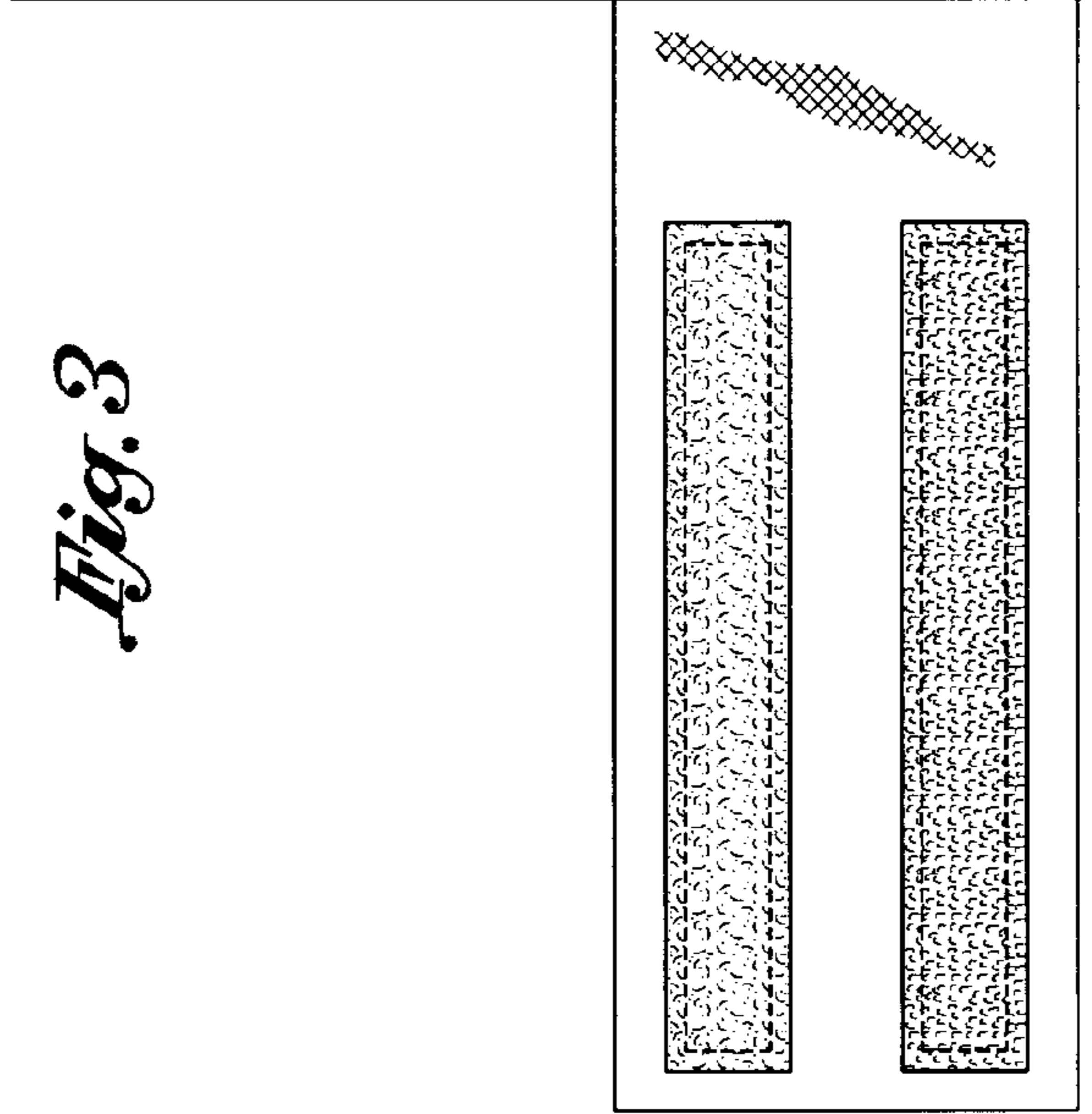
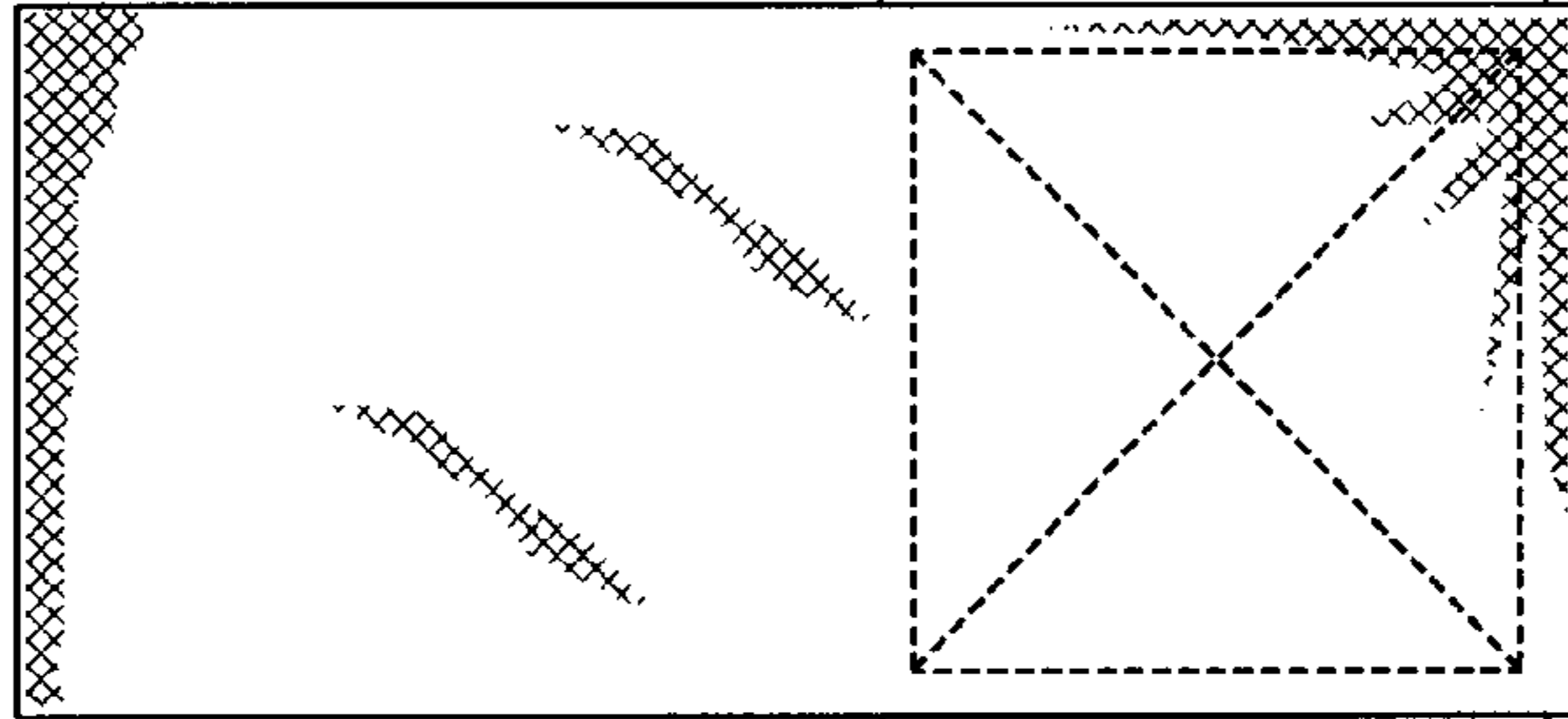
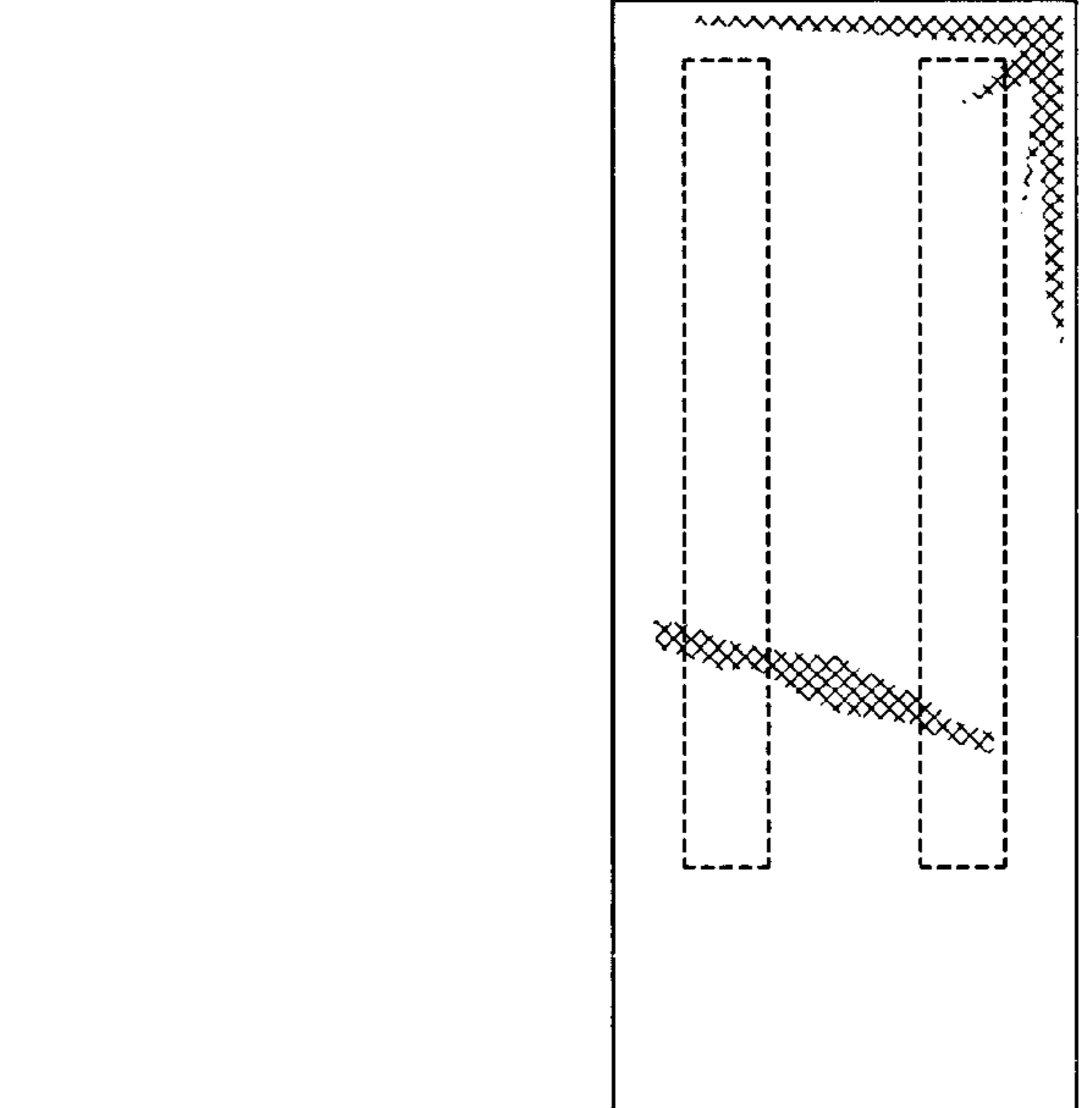
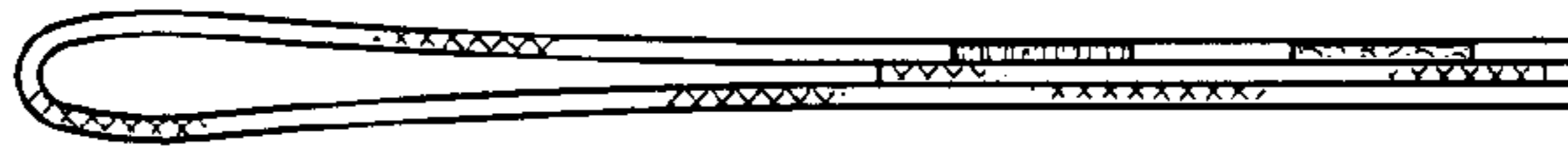
**1 Claim, 3 Drawing Sheets**





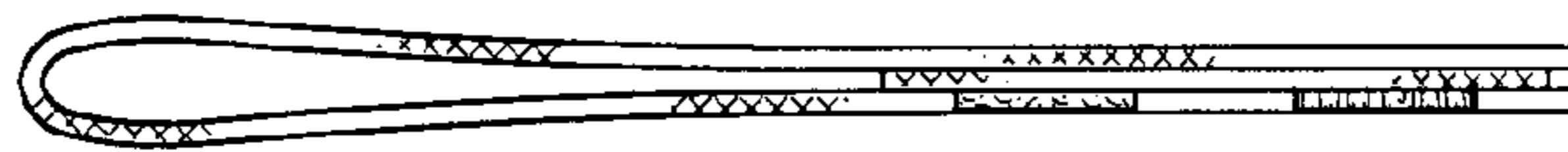
*Fig. 1*

*Fig. 4*



*Fig. 3*

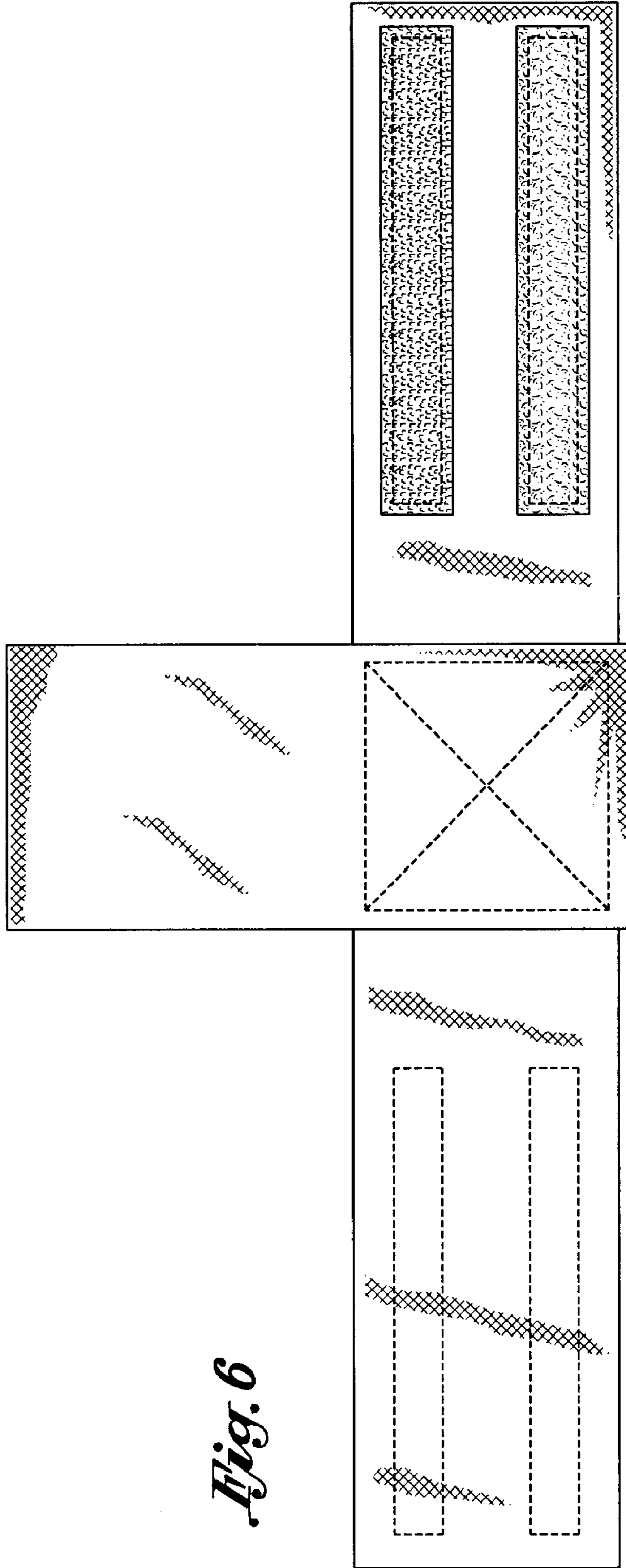
*Fig. 2*

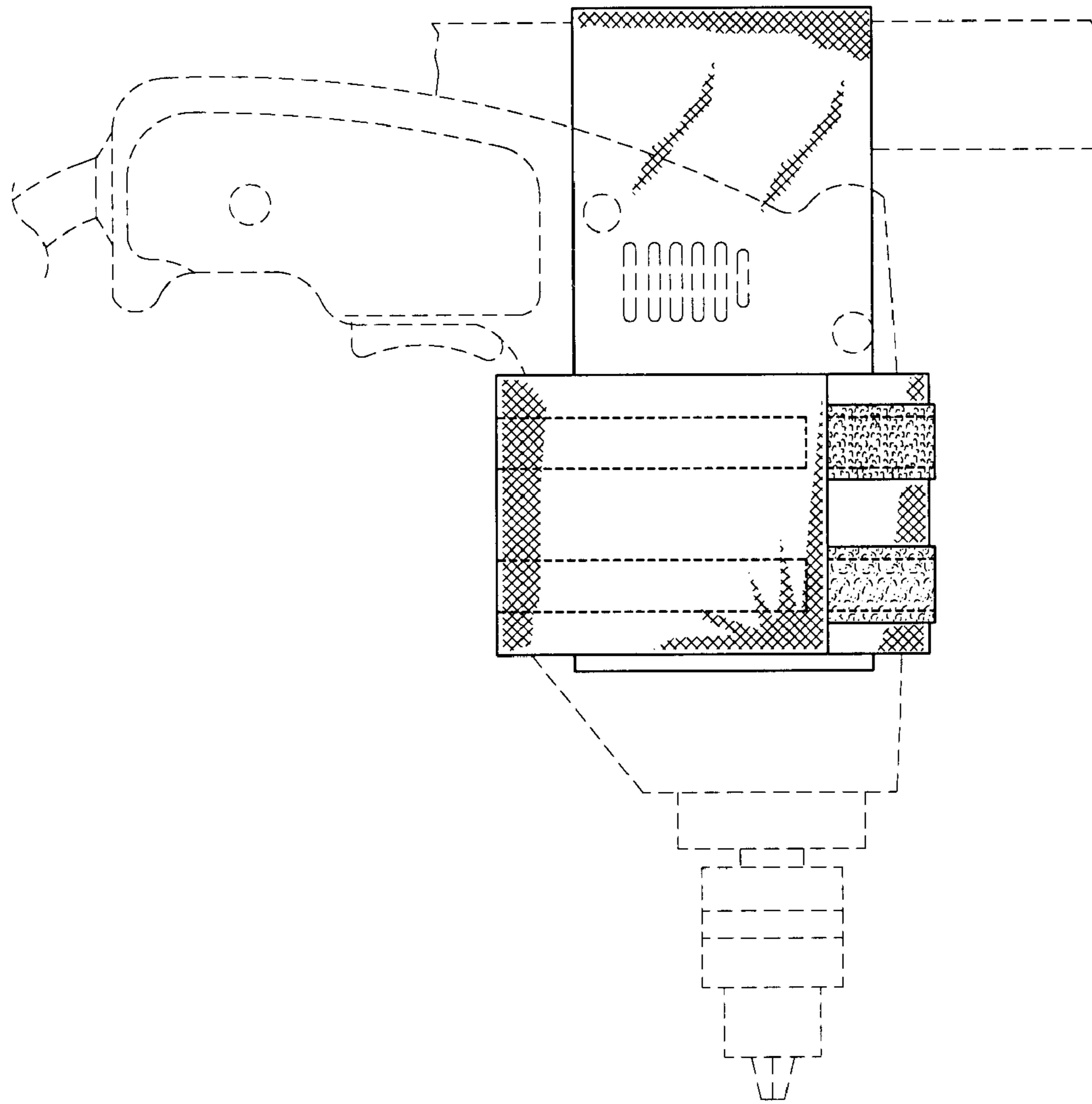


*Fig. 5*



*Fig. 6*





*Fig. 7*