



US00D515310S

(12) **United States Design Patent**  
**Liu et al.**

(10) **Patent No.: US D515,310 S**  
(45) **Date of Patent: \*\* Feb. 21, 2006**

(54) **PROTECTIVE CASE**  
(75) Inventors: **Hans Liu**, Rosemead, CA (US); **Harry Mkhitarian**, Pasadena, CA (US)  
(73) Assignee: **Prime Finish, LLC**, Paris, KY (US)  
(\*\*) Term: **14 Years**  
(21) Appl. No.: **29/217,817**  
(22) Filed: **Nov. 20, 2004**  
(51) **LOC (8) Cl. .... 03-01**  
(52) **U.S. Cl. .... D3/218**  
(58) **Field of Classification Search** ..... D3/218,  
D3/215, 219, 228; 224/236, 240, 245, 901,  
224/904, 197, 250, 666, 674; D14/138, 238,  
D14/250; 206/38, 5, 5.1, 6, 320; 455/90;  
379/455  
See application file for complete search history.

5,933,772 A 8/1999 Wolff ..... 455/351  
6,047,819 A 4/2000 Borst et al. .... 206/232  
6,053,310 A 4/2000 Mandel et al. .... 206/81  
6,058,638 A 5/2000 Slattebrekk ..... 40/654.01  
D427,429 S 7/2000 Rains ..... D3/215  
6,082,530 A 7/2000 Wang-Chen ..... 206/5.24  
6,082,535 A 7/2000 Mitchell ..... 206/320  
6,123,240 A 9/2000 Fowles et al. .... 224/600  
D435,963 S 1/2001 Fulmore ..... D3/218  
6,202,838 B1 3/2001 Tran ..... 206/232  
6,227,361 B1 5/2001 Salazar et al. .... 206/305  
6,239,968 B1 5/2001 Kim et al. .... 361/679  
6,264,029 B1 7/2001 Motson ..... 206/320  
6,273,252 B1 8/2001 Mitchell ..... 206/320

(Continued)

*Primary Examiner*—Catherine R. Oliver  
(74) *Attorney, Agent, or Firm*—King & Schickli, PLLC

(57) **CLAIM**

The ornamental design for a protective case, as shown and described.

(56) **References Cited**

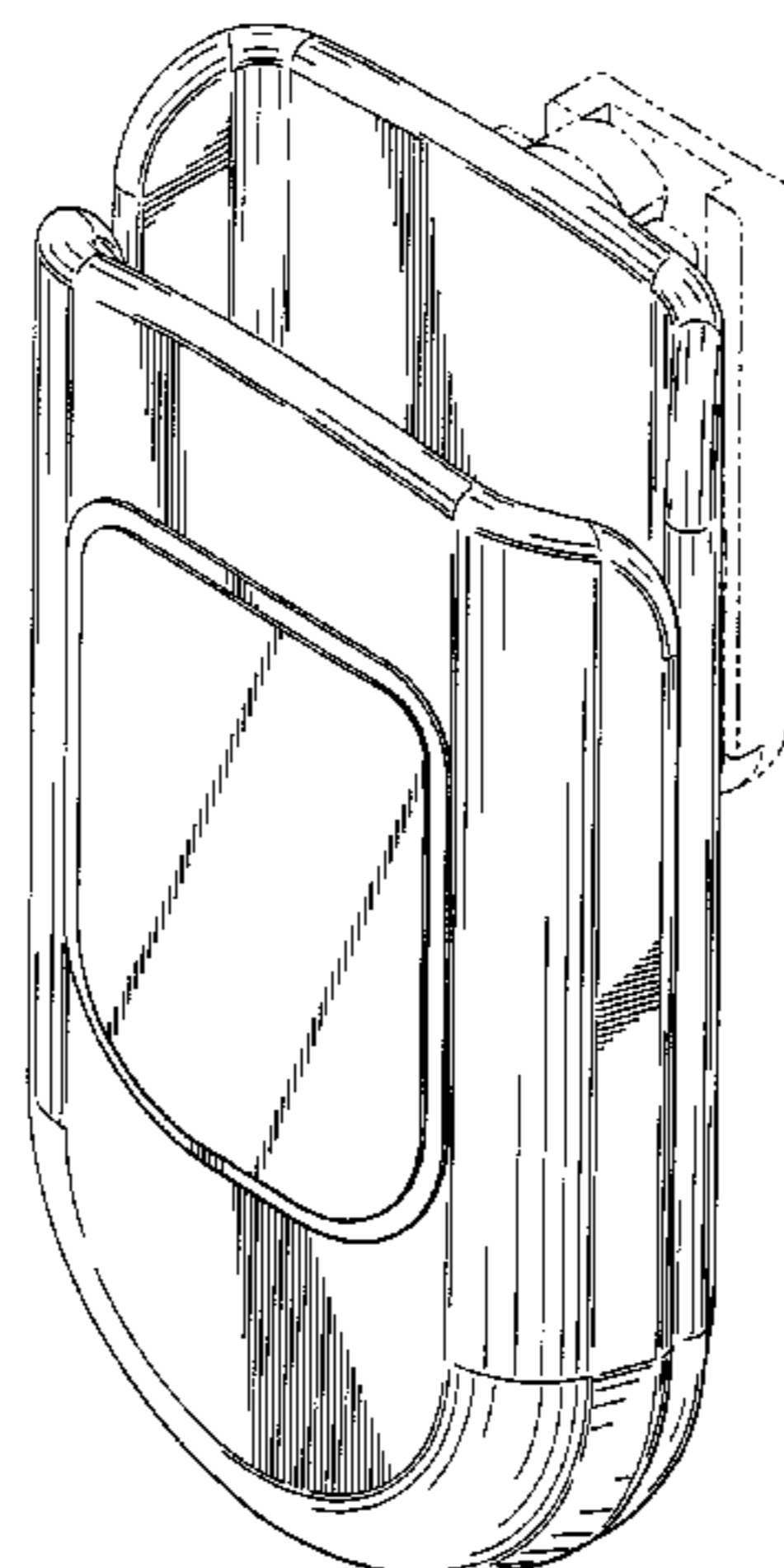
**U.S. PATENT DOCUMENTS**

1,425,217 A 8/1922 Regulski ..... 150/111  
2,544,493 A 3/1951 Filenbaum ..... 150/111  
2,618,086 A 11/1952 Komorous ..... 40/1.5  
3,295,235 A 1/1967 Tauber ..... 40/1.5  
3,371,829 A 3/1968 Phillips ..... 224/230  
3,556,187 A 1/1971 Speakes ..... 150/28  
4,259,797 A 4/1981 Belser ..... 40/1.5  
D329,750 S \* 9/1992 Gilmore et al. .... D3/218  
5,488,656 A 1/1996 DeArkland ..... 379/155  
5,524,754 A 6/1996 Hollingsworth ..... 206/320  
5,544,745 A 8/1996 Famorca ..... 206/320  
D374,980 S 10/1996 Moya et al. .... D3/218  
5,598,926 A 2/1997 Vogt ..... 206/457  
5,711,469 A 1/1998 Gormley et al. .... 224/675  
5,718,104 A 2/1998 Kennedy ..... 53/491  
D394,439 S 5/1998 Mischenko et al. .... D14/248  
D395,545 S 6/1998 Crim, Jr. .... D3/218  
5,768,370 A 6/1998 Maatta et al. .... 379/433  
5,775,497 A 7/1998 Krulik ..... 206/320  
5,791,488 A 8/1998 Lee ..... 206/768  
5,873,456 A 2/1999 Hull et al. .... 206/38.1  
5,881,850 A 3/1999 Murdoch ..... 190/110

**DESCRIPTION**

FIG. 1 is a perspective view of a first embodiment of the protective case of the present invention;  
FIG. 2 is a front elevational view of the case of FIG. 1;  
FIG. 3 is a left side elevational view of the case of FIG. 1, the right side being a mirror image thereof;  
FIG. 4 is a rear elevational view of the case of FIG. 1;  
FIG. 5 is a top plan view of the case of FIG. 1;  
FIG. 6 is a bottom plan view of the case of FIG. 1;  
FIG. 7 is a perspective view of a second embodiment of the protective case of the present invention;  
FIG. 8 is a front elevational view of the case of FIG. 7;  
FIG. 9 is a left side elevational view of the case of FIG. 7, the right side being a mirror image thereof;  
FIG. 10 is a rear elevational view of the case of FIG. 7;  
FIG. 11 is a top plan view of the case of FIG. 7; and,  
FIG. 12 is a bottom plan view of the case of FIG. 7.  
The broken line showing of environment in the drawings is for illustrative purposes only and forms no part of the claimed design.

**1 Claim, 10 Drawing Sheets**



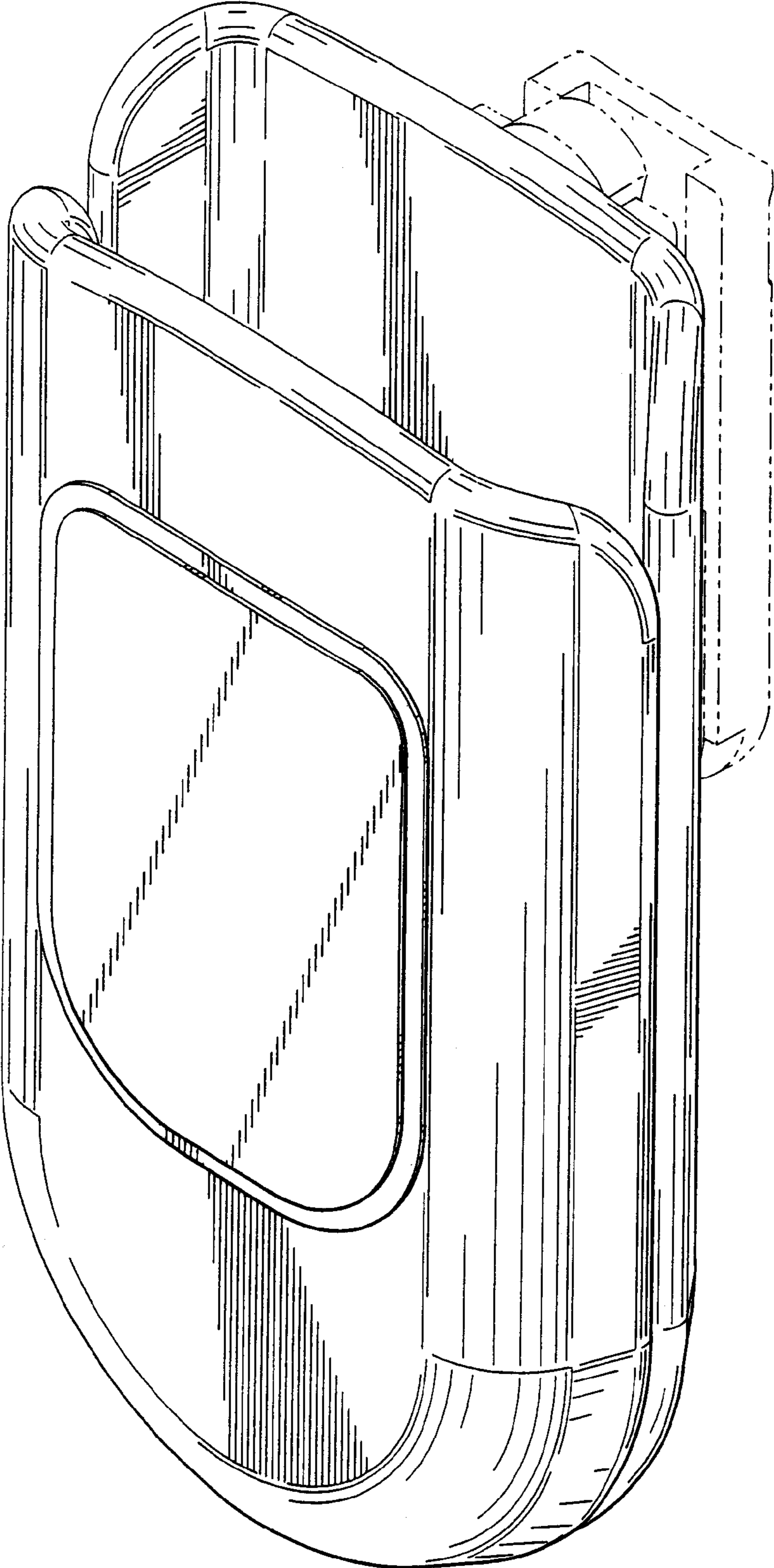
# US D515,310 S

Page 2

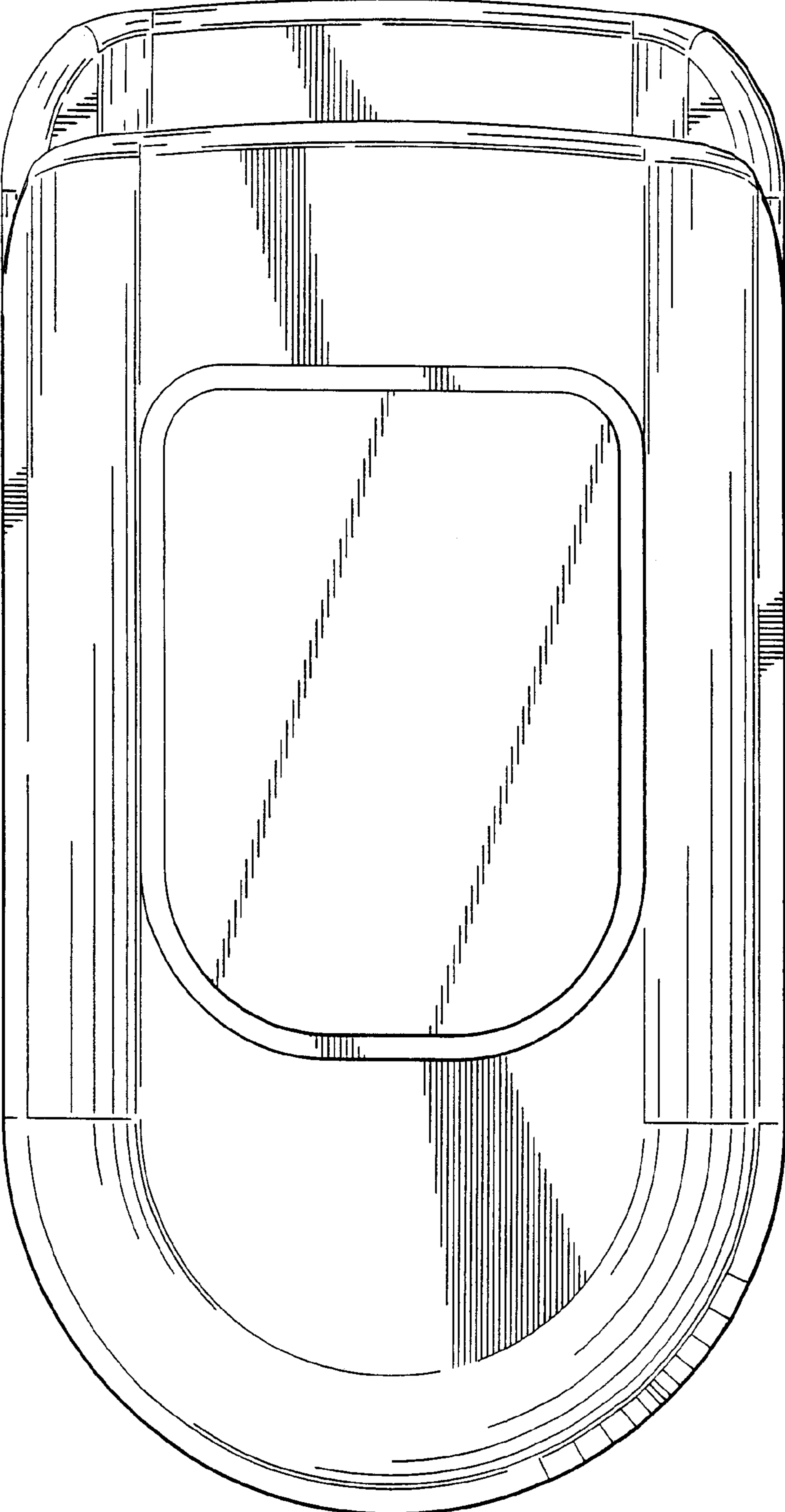
## U.S. PATENT DOCUMENTS

D448,761 S	10/2001	Powell .....	D14/250	6,612,432 B2	9/2003	Motson .....	206/305
6,305,540 B1	10/2001	Crawford et al. ....	206/320	D500,203 S *	12/2004	Kim .....	D3/218
6,318,610 B1	11/2001	Doherty .....	224/271	2001/0040109 A1	11/2001	Yaski et al. ....	206/320
6,347,232 B1	2/2002	de Casillas .....	455/550	2002/0017545 A1	2/2002	Badillo et al. ....	224/675
6,347,796 B1	2/2002	Grossman et al. ....	273/148 B	2002/0043545 A1	4/2002	Tang .....	224/600
6,352,186 B1	3/2002	Endo .....	224/254	2002/0076512 A1	6/2002	Kreider .....	428/34.1
6,375,057 B1	4/2002	Gorchian .....	224/682	2002/0133659 A1	9/2002	Tree et al. ....	710/300
6,445,577 B1	9/2002	Madsen et al. ....	361/683	2002/0139822 A1	10/2002	Infanti .....	224/197
6,454,146 B2	9/2002	Alis .....	224/250	2002/0148745 A1	10/2002	Chang .....	206/320
6,478,205 B1	11/2002	Fujihashi .....	224/675	2002/0153400 A1	10/2002	Chase et al. ....	224/610
D466,298 S	12/2002	Vazquez .....	D3/301	2002/0173279 A1	11/2002	Doi .....	455/90
6,494,593 B2	12/2002	An et al. ....	362/249	2002/0175099 A1	11/2002	Wu .....	206/320
6,501,643 B1	12/2002	Sayers et al. ....	361/683	2003/0000976 A1	1/2003	Malhotra .....	224/197
D470,840 S	2/2003	Skjoth .....	D14/230	2003/0000984 A1	1/2003	Vick, III .....	224/610
6,535,606 B2	3/2003	Cox .....	379/449	2003/0011645 A1	1/2003	Spencer, II .....	345/846
6,536,589 B2	3/2003	Chang .....	206/320	2003/0087611 A1	5/2003	Pan .....	455/90
6,564,432 B1	5/2003	Kushner .....	24/3.3	2003/0088947 A1	5/2003	Kushner .....	24/3.3
D475,850 S *	6/2003	Andre et al. ....	D3/218	2003/0089832 A1	5/2003	Gold .....	248/454
6,581,315 B2	6/2003	Turner et al. ....	40/642.02	2003/0134613 A1	7/2003	Latto et al. ....	455/347
6,581,760 B1	6/2003	Robertson .....	206/5	2003/0150756 A1	8/2003	Kajiya .....	206/320
6,601,622 B1	8/2003	Young .....	150/138				

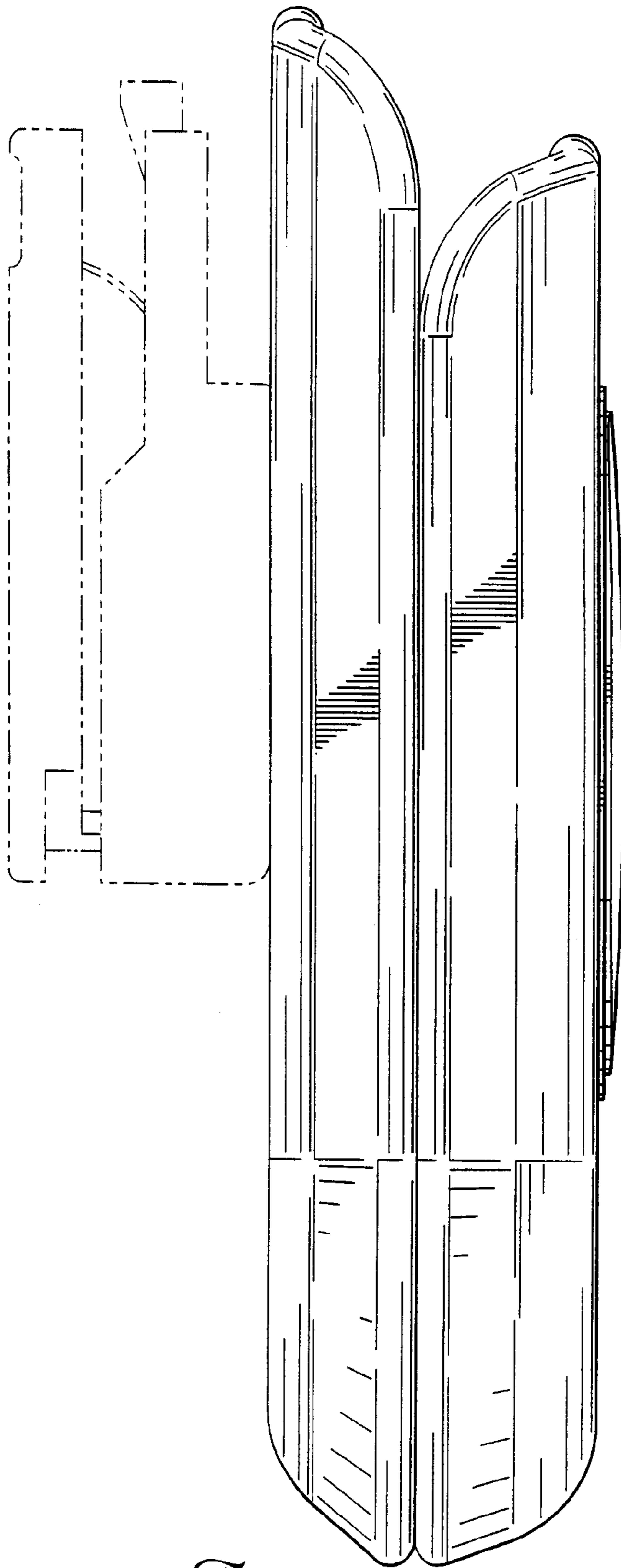
\* cited by examiner



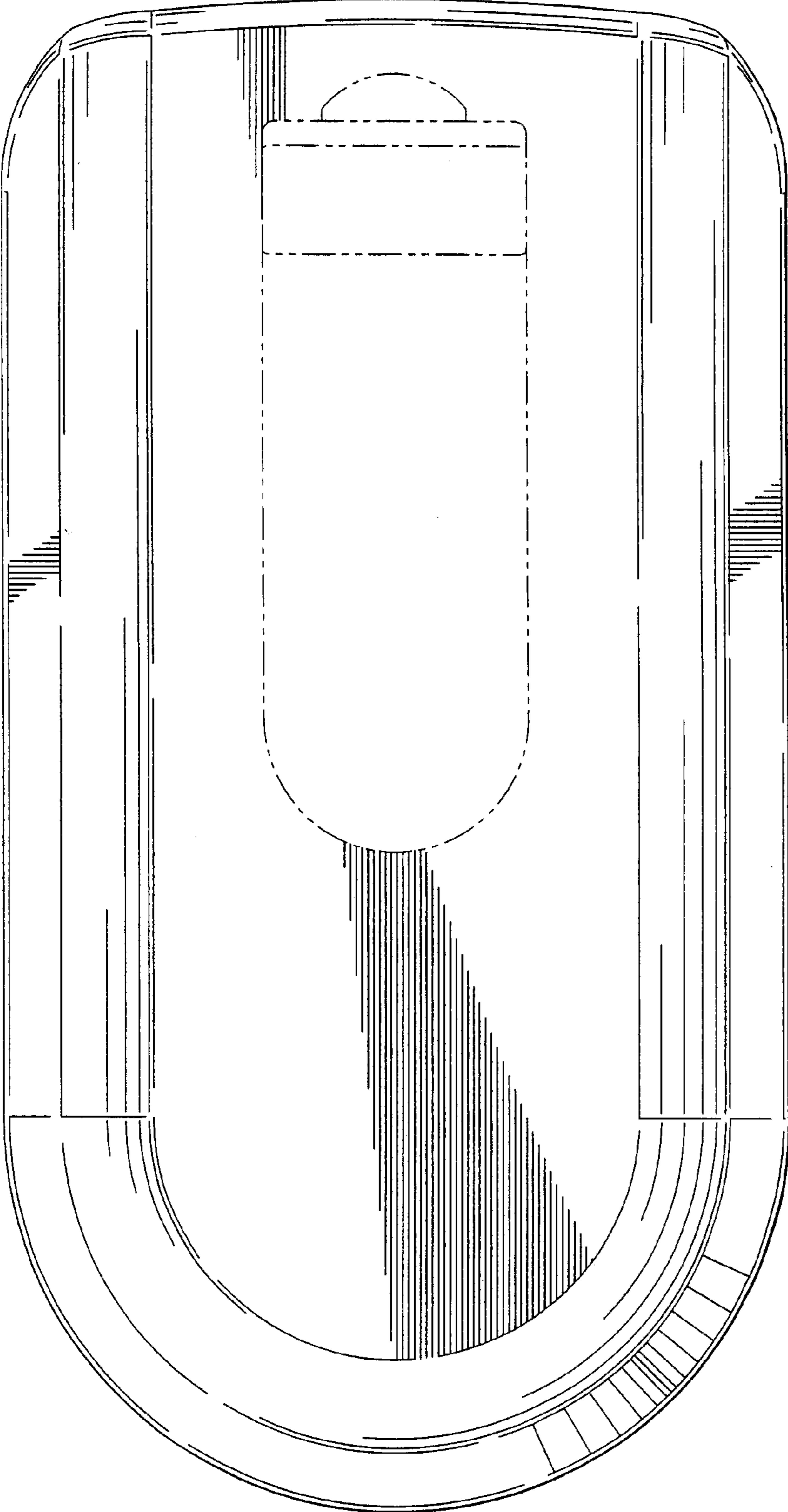
*Fig. 1*



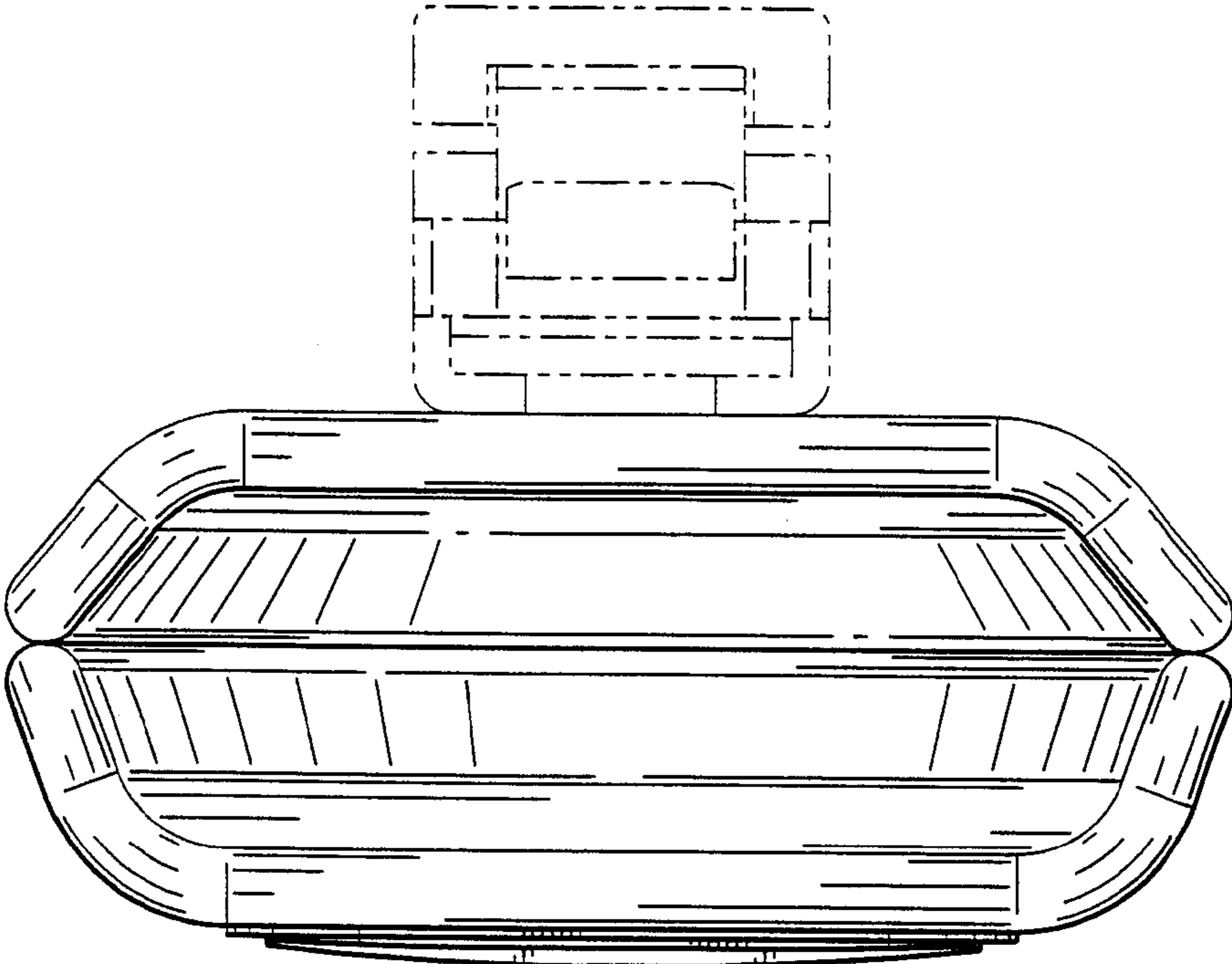
*Fig. 2*



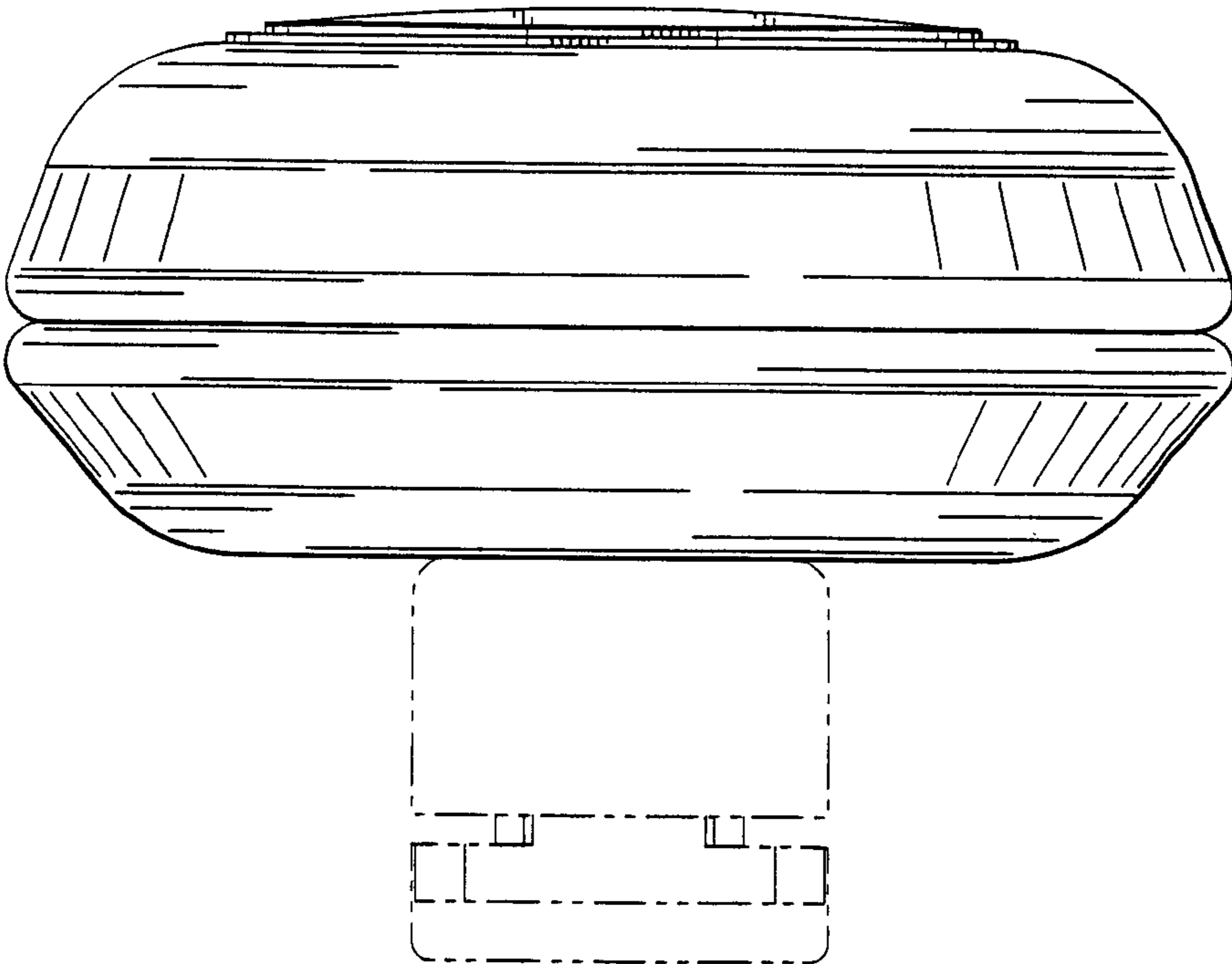
*Fig. 3*



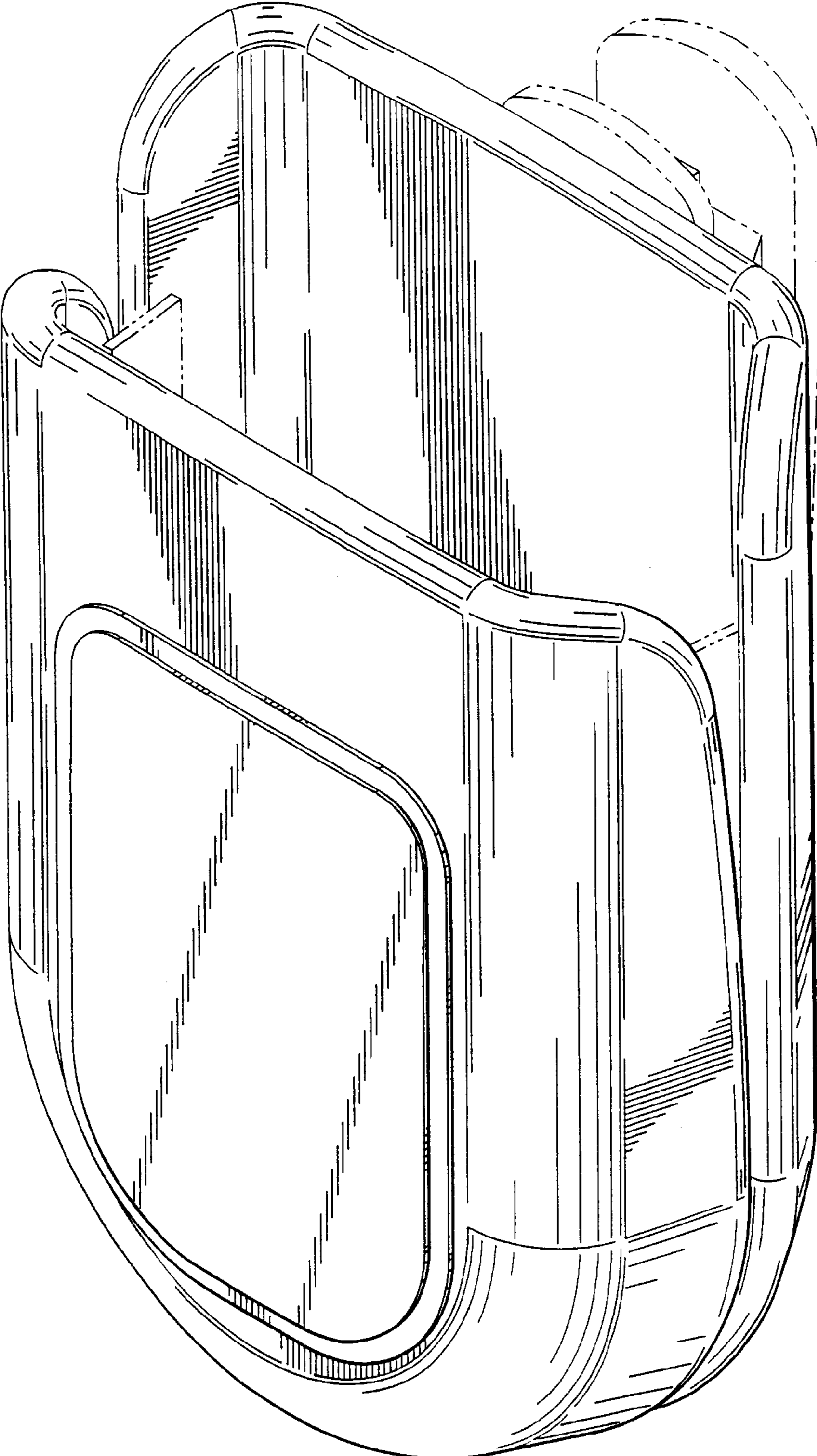
*Fig. 4*



*Fig. 5*

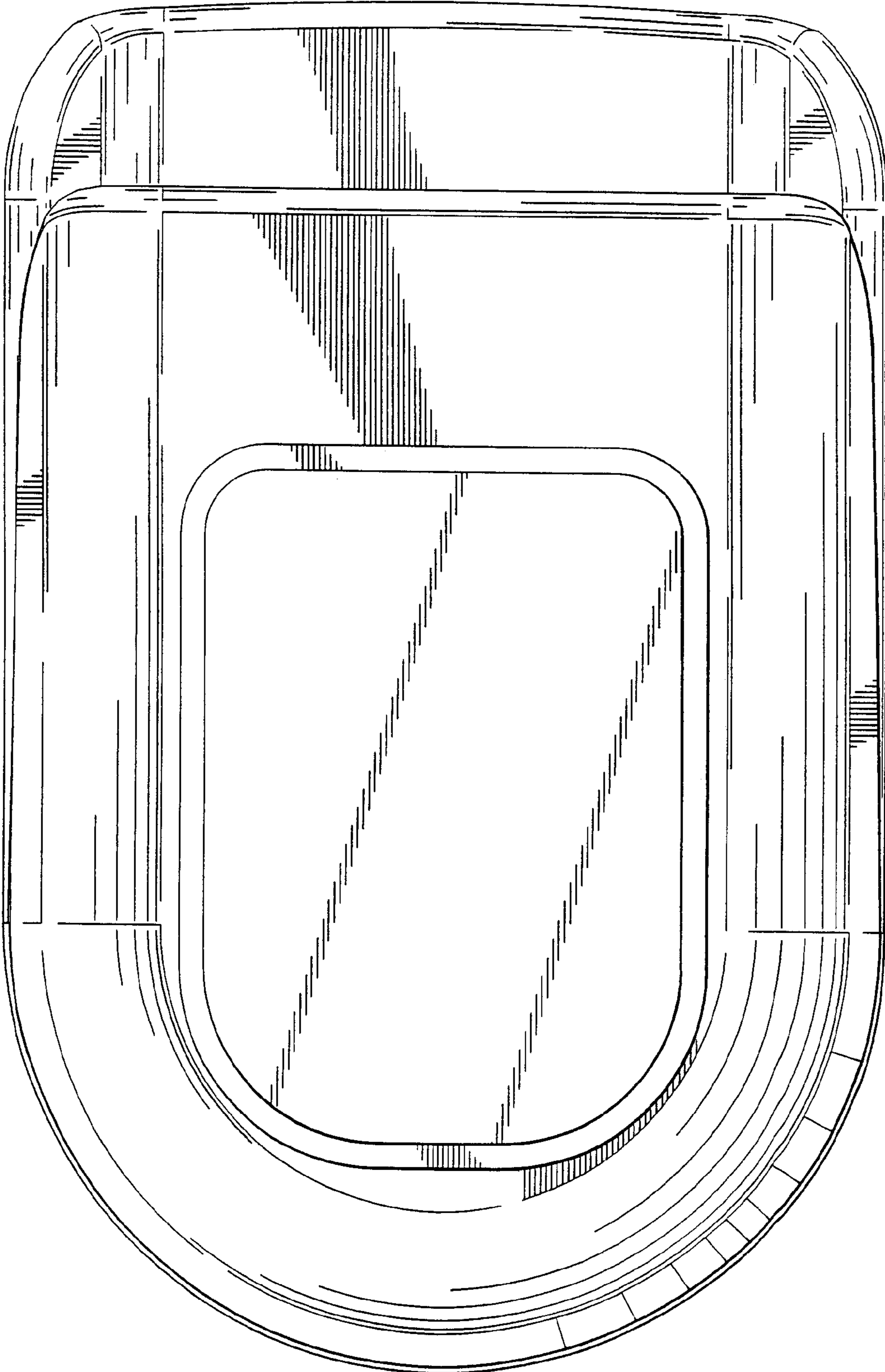


*Fig. 6*

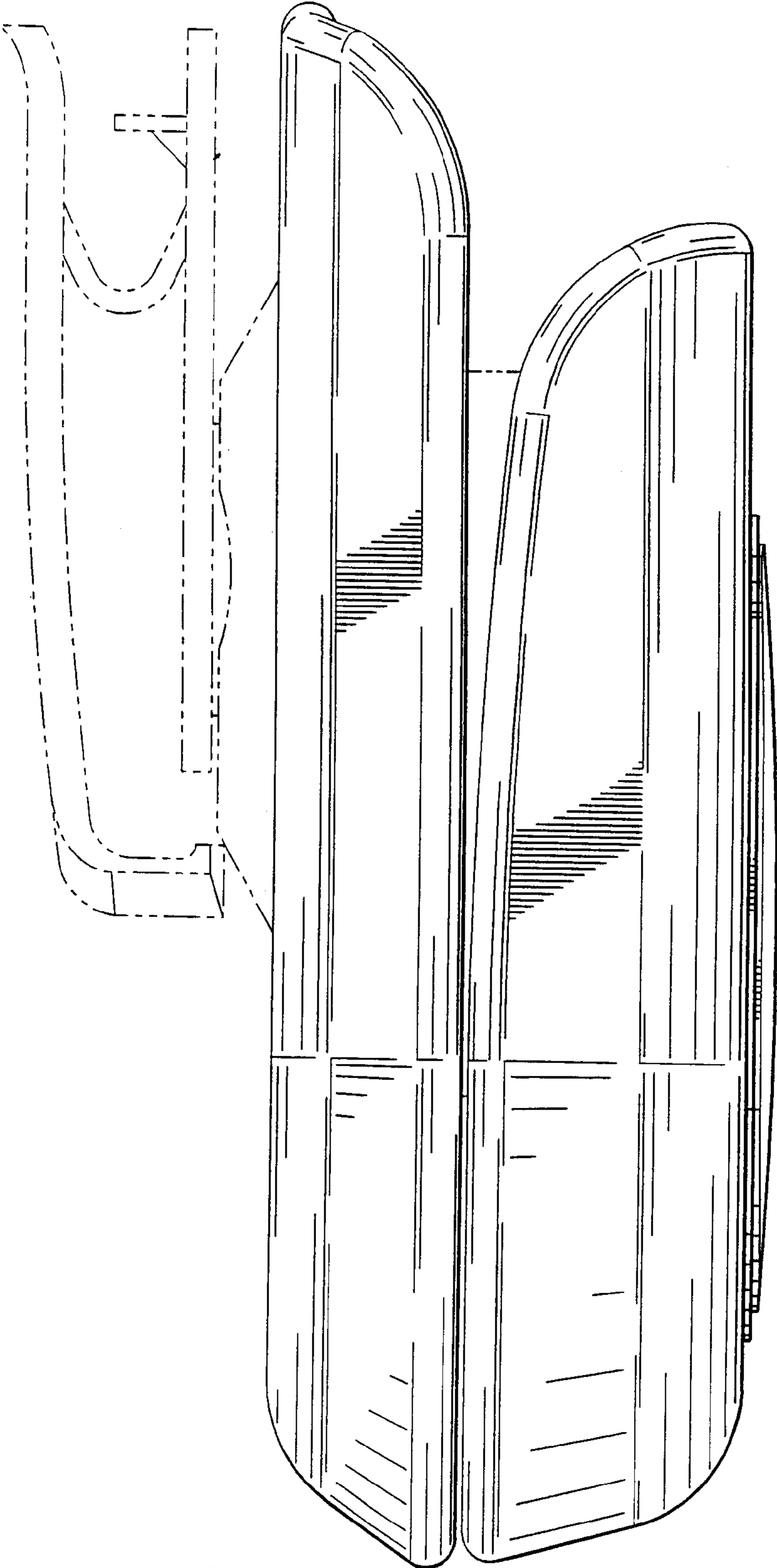


*Fig. 7*





*Fig. 8*



*Fig. 9*

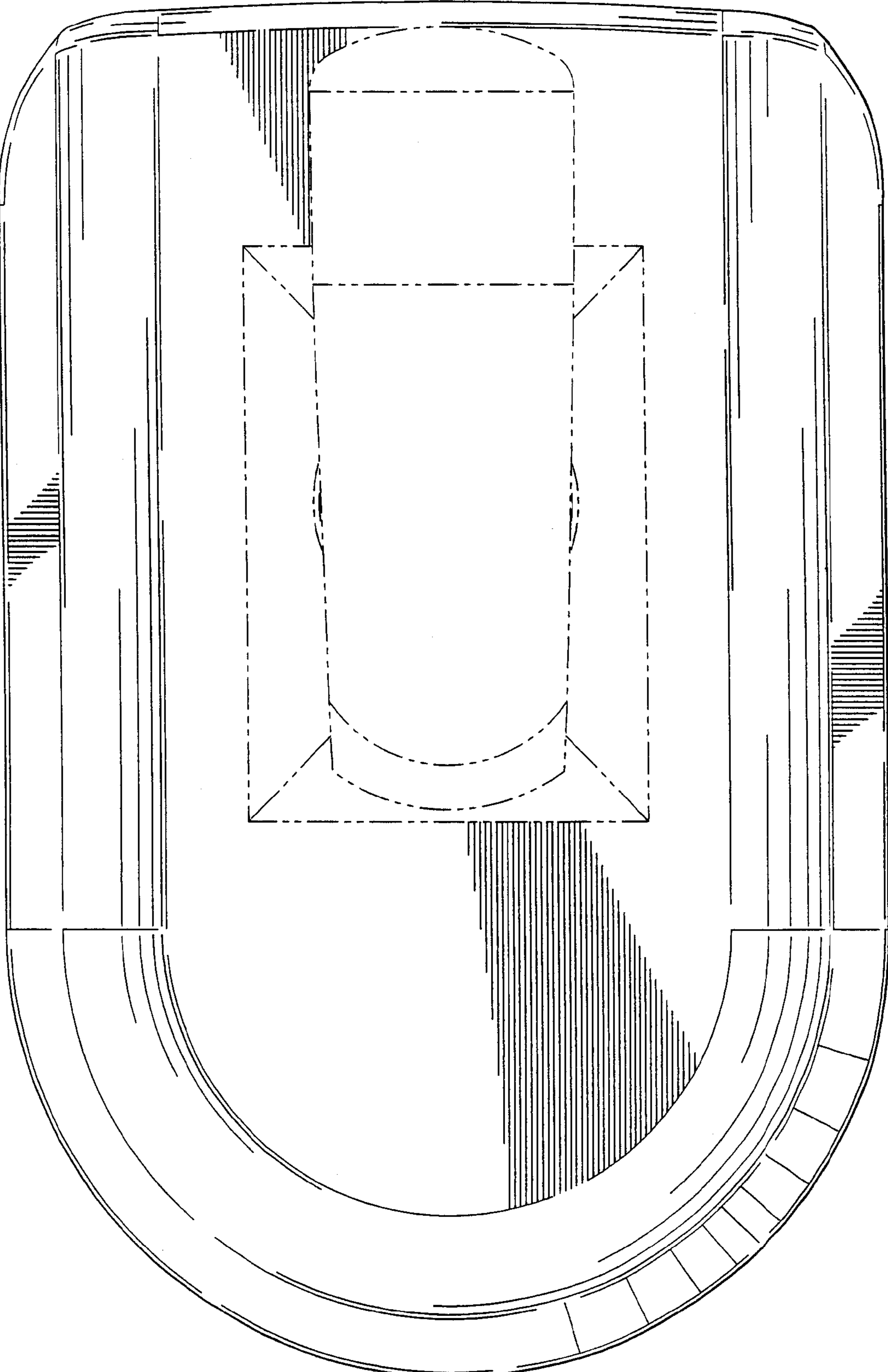
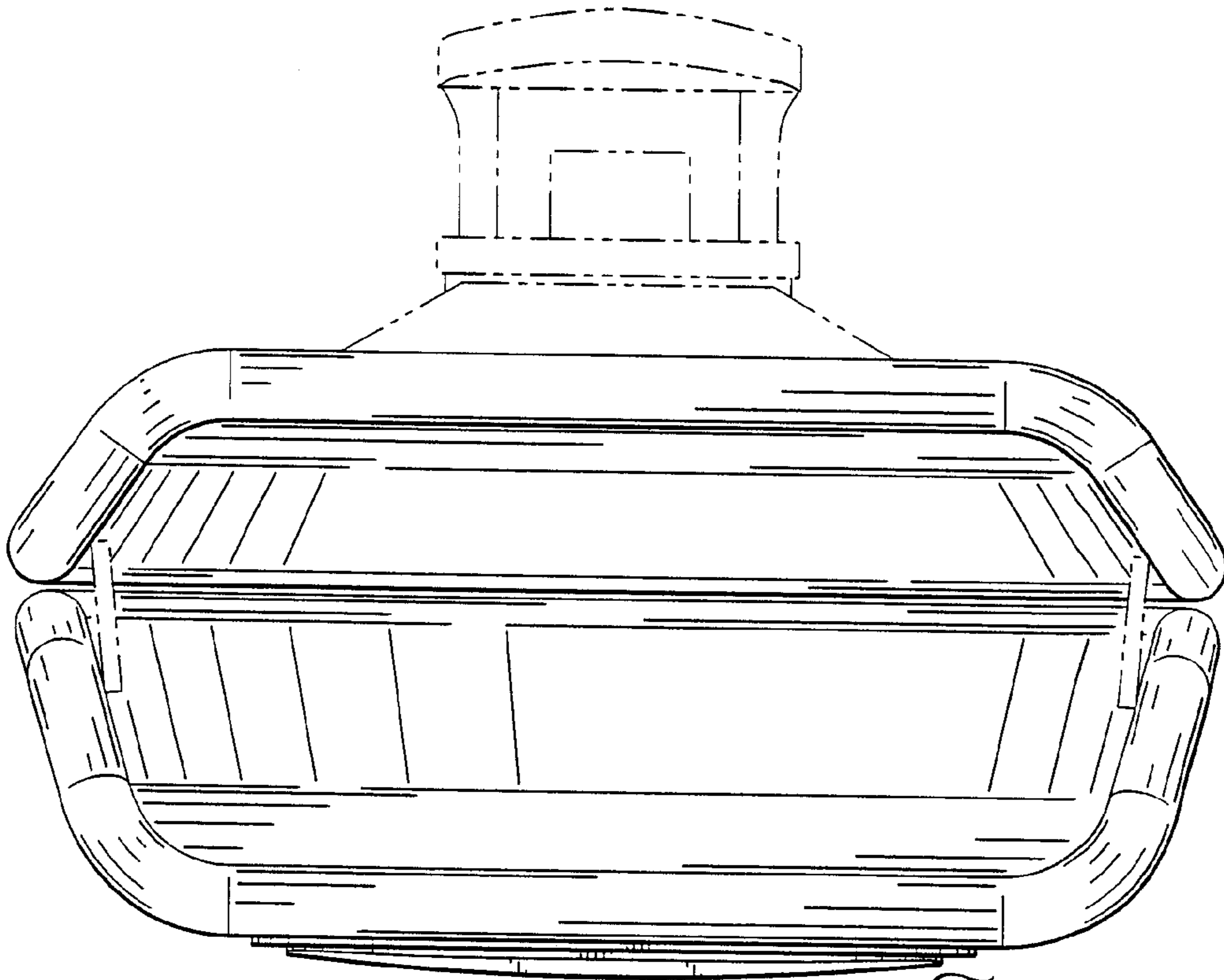
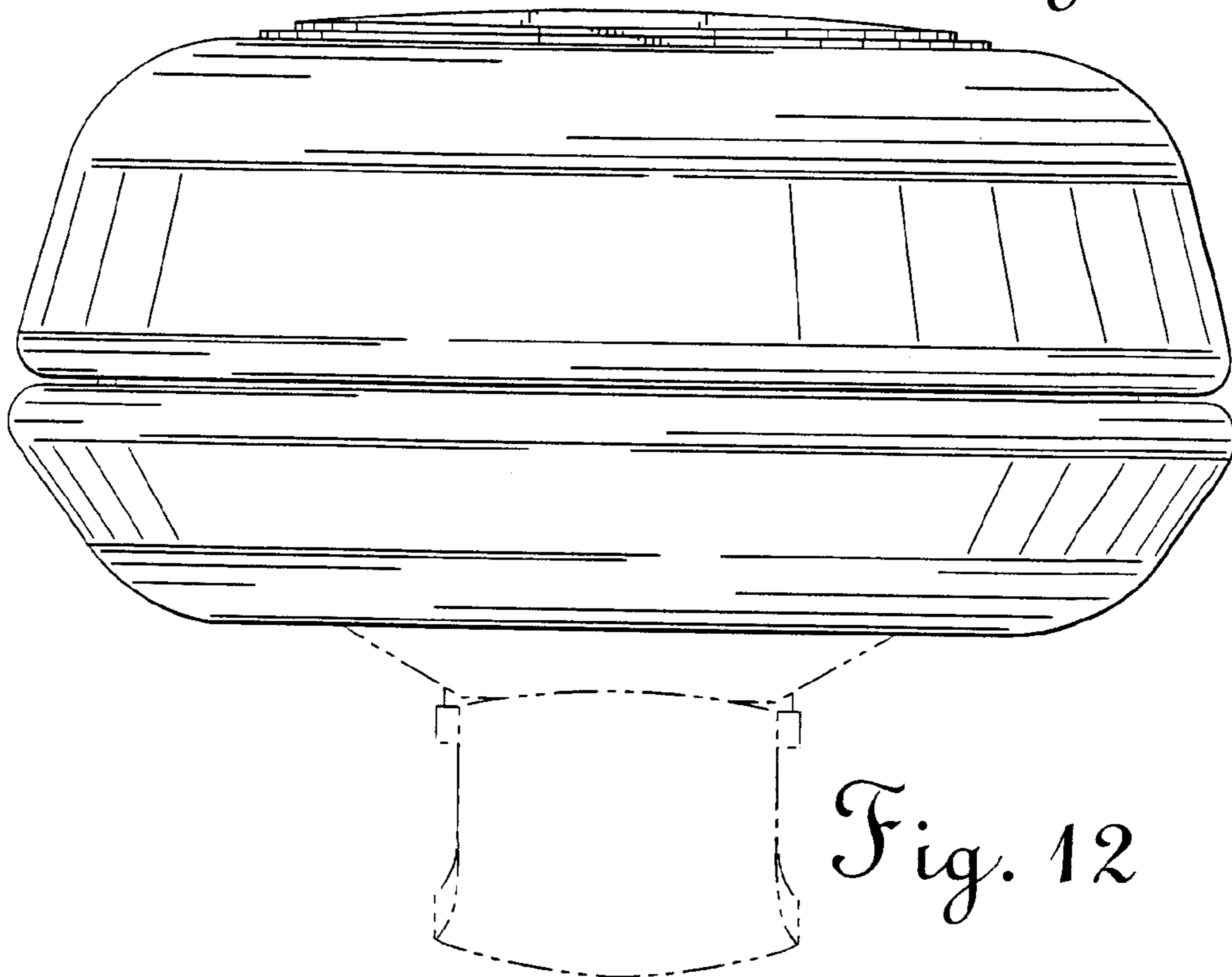


Fig. 10



*Fig. 11*



*Fig. 12*