



US00D515294S

(12) **United States Design Patent**
McMullin

(10) **Patent No.: US D515,294 S**

(45) **Date of Patent: ** Feb. 21, 2006**

(54) **FOOTWEAR CLEAT WITH INWARD TRACTION ELEMENTS**

D395,542 S * 6/1998 Collins D2/962
D401,046 S * 11/1998 McMullin D2/962

(75) **Inventor: Faris W. McMullin, Boise, ID (US)**

* cited by examiner

(73) **Assignee: Softspikes, LLC, Gaithersburg, MD (US)**

Primary Examiner—Dominic Simone
(74) *Attorney, Agent, or Firm*—Edell, Shapiro, & Finnan, LLC

(**) **Term: 14 Years**

(57) **CLAIM**

(21) **Appl. No.: 29/225,804**

The ornamental design for a footwear cleat with inward traction elements, as shown and described.

(22) **Filed: Mar. 22, 2005**

DESCRIPTION

(51) **LOC (8) Cl. 02-99**

(52) **U.S. Cl. D2/962**

(58) **Field of Classification Search** D2/906,
D2/946, 962; 36/7.6, 7.7, 67 A, 59 R, 126-129,
36/134

FIG. 1 is a bottom perspective view showing my new design;

FIG. 2 is a bottom view in plan thereof;

FIG. 3 is a top view in plan thereof; and,

FIG. 4 is a side view in elevation thereof.

See application file for complete search history.

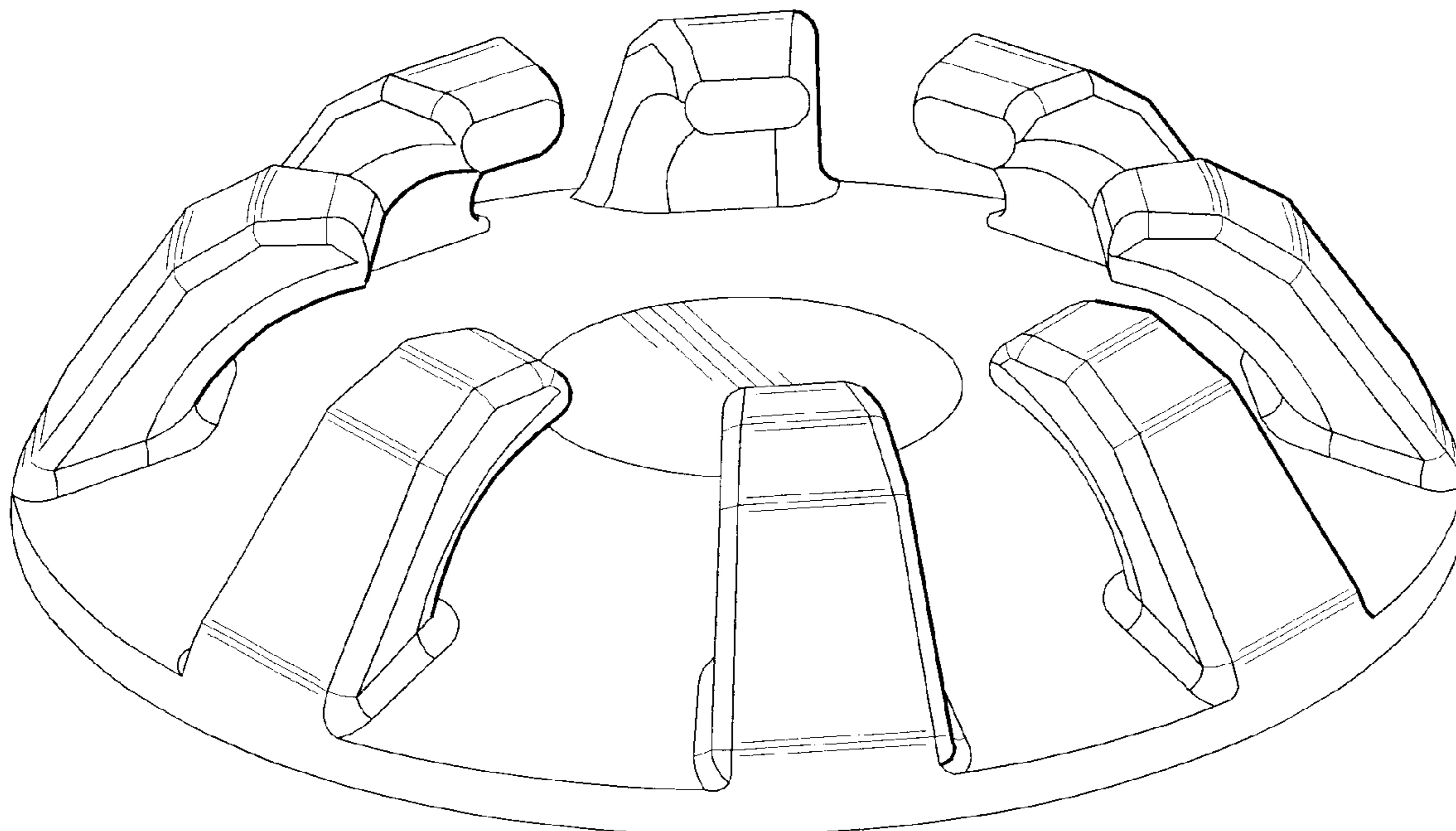
The broken lines shown throughout are for contextual illustrative purposes and form no part of the claimed design.

(56) **References Cited**

U.S. PATENT DOCUMENTS

3,063,171 A * 11/1962 Jay 36/59 R

1 Claim, 2 Drawing Sheets



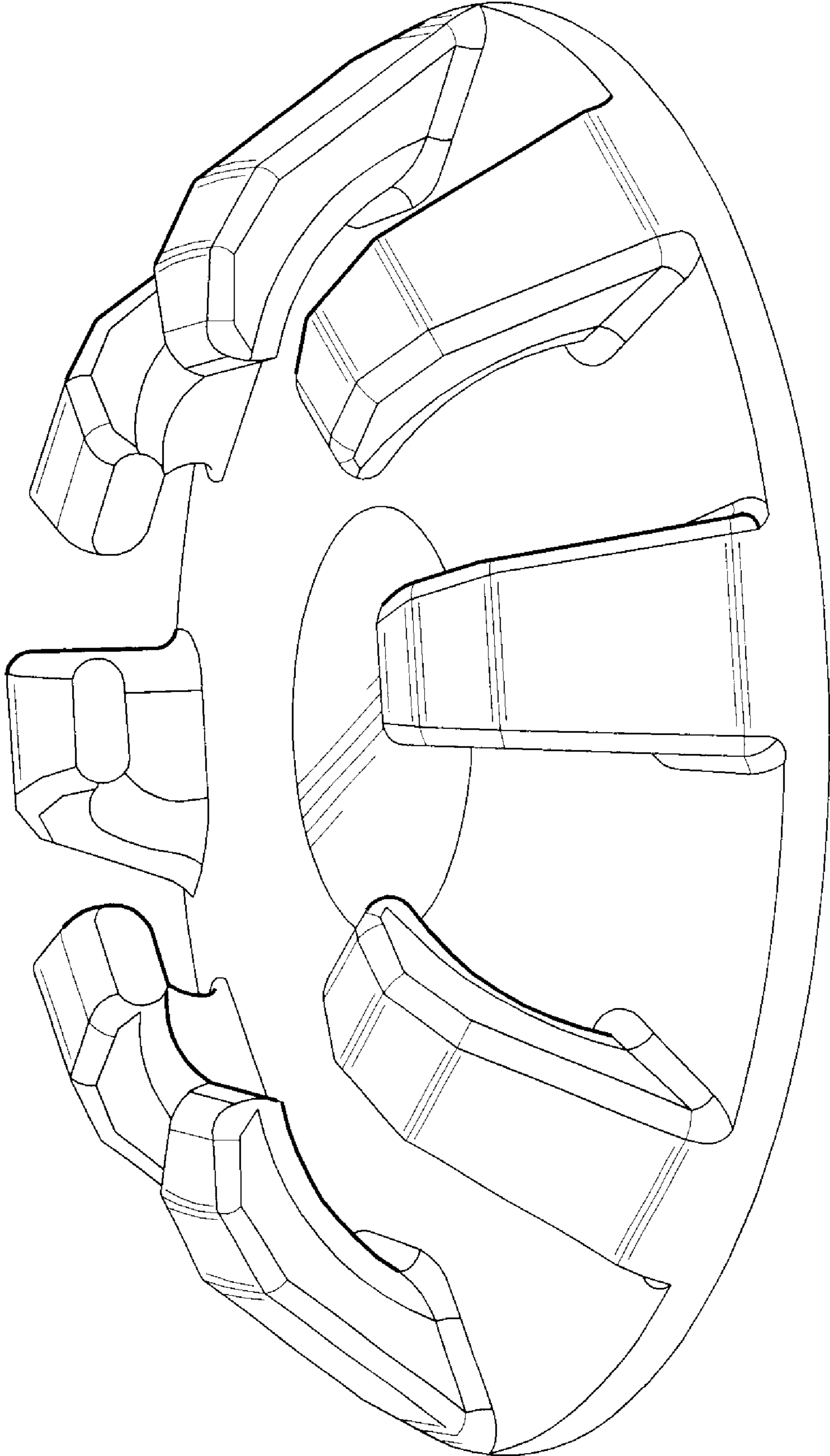


FIG. 1

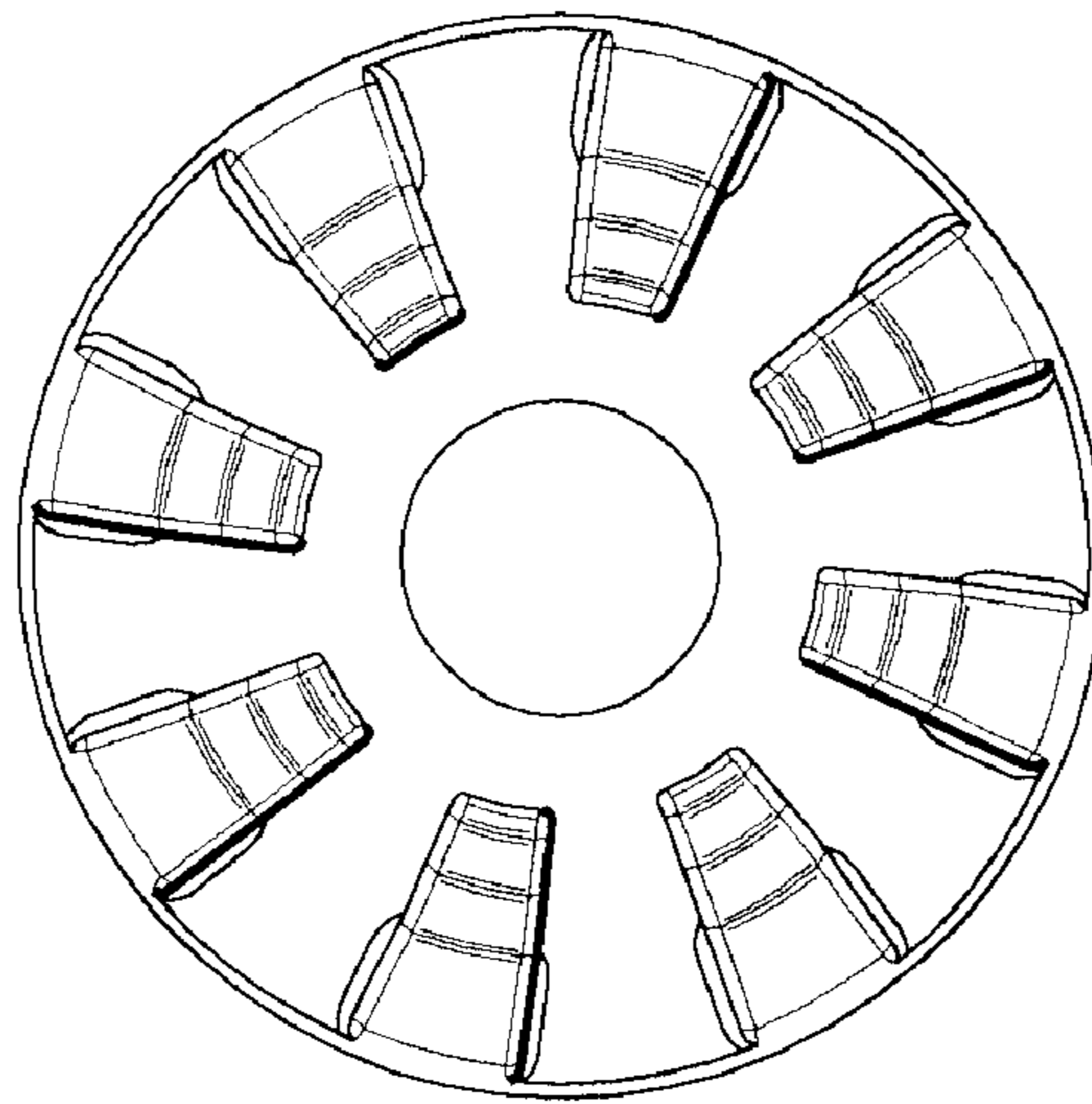


FIG. 2

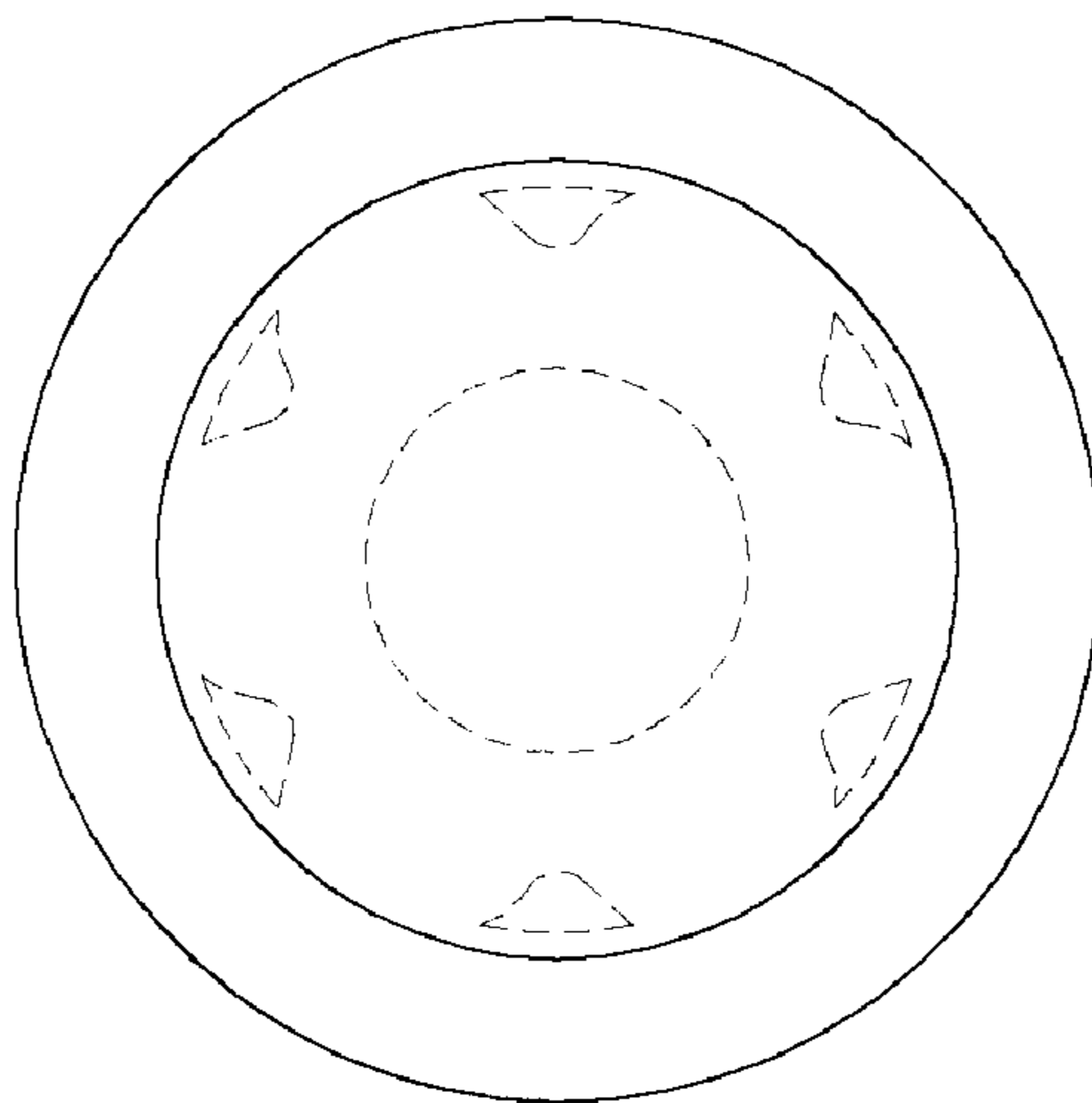


FIG. 3

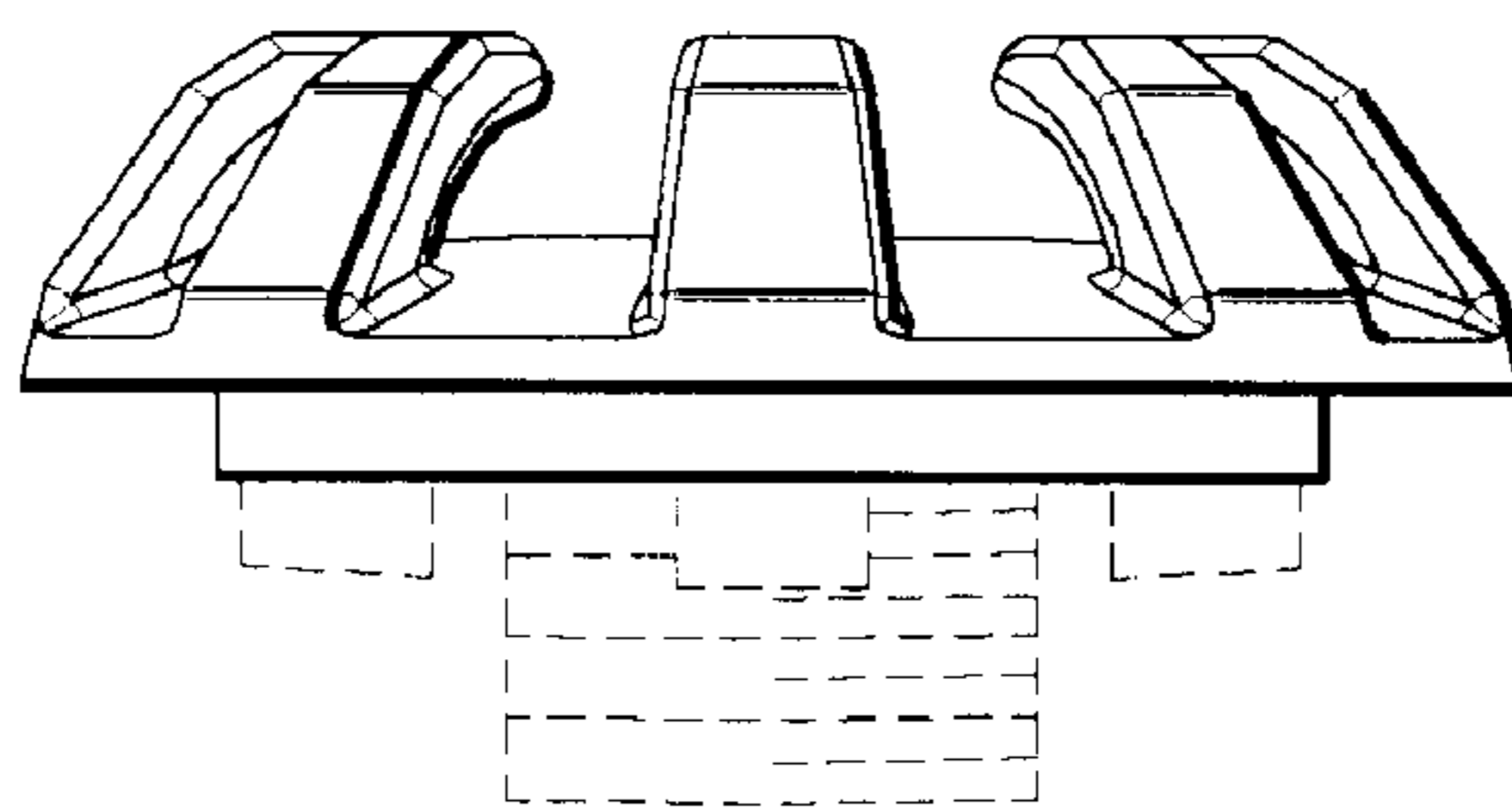


FIG. 4