



US00D515284S

(12) **United States Design Patent** (10) **Patent No.:** **US D515,284 S**
Africa et al. (45) **Date of Patent:** **** Feb. 21, 2006**

(54) **MULTICOLOR CYCLING BIBS**

(75) Inventors: **Robert Africa**, Boulder, CO (US);
Dylan Nelson, Boulder, CO (US)

(73) Assignee: **DashAmerica, Inc.**, Broomfield, CO
(US)

(**) Term: **14 Years**

(21) Appl. No.: **29/212,618**

(22) Filed: **Sep. 3, 2004**

(51) **LOC (8) Cl.** **02-02**

(52) **U.S. Cl.** **D2/731; D2/714; D2/743**

(58) **Field of Classification Search** D2/712,
D2/714, 728, 731, 733, 734, 738, 741, 742,
D2/743, 746, 988, 994; 2/22, 73, 78.1, 115,
2/228, 234, 238, 239, 400, 402-405, 912,
2/919; 450/95

See application file for complete search history.

(56) **References Cited**

U.S. PATENT DOCUMENTS

2,149,416	A	*	3/1939	Blankenhorn	D2/714
D157,585	S	*	3/1950	Greene	D2/733
D339,902	S	*	10/1993	Doherty	D2/738
D385,385	S	*	10/1997	Dicker	D2/731
D416,124	S	*	11/1999	Davies et al.	D2/731
6,061,832	A	*	5/2000	Morrison, Jr.	2/78.1
6,532,599	B1	*	3/2003	Dugan	2/228
D485,048	S	*	1/2004	Janes	D2/731
D504,202	S	*	4/2005	Coutant	D2/743
D505,244	S	*	5/2005	Berger	D2/743

OTHER PUBLICATIONS

World Cycling Productions; Holiday 2001; p. 61; top right corner of page; from Goggle Catalogues.*

World Cycling Productions; Holiday 2001; p. 64; bottom left corner of page; from Google Catalogues.*

Bike Nashbar; Fall 2001; p. 21; bottom left corner of page; from Google Catalogues.*

* cited by examiner

Primary Examiner—Ian Simmons

Assistant Examiner—Melanie Levy

(74) *Attorney, Agent, or Firm*—Holland & Hart LLP

(57) **CLAIM**

The ornamental design for multicolor cycling bibs, as shown and described.

DESCRIPTION

FIG. 1 is a front view of a multicolor cycling bibs showing our new design;

FIG. 2 is a rear view thereof;

FIG. 3 is a left side view thereof, with the right side view being substantially identical thereto;

FIG. 4 is a top view thereof;

FIG. 5 is a bottom view thereof;

FIG. 6 is a front view of a multicolor cycling bibs showing another embodiment of our new design;

FIG. 7 is a rear view thereof;

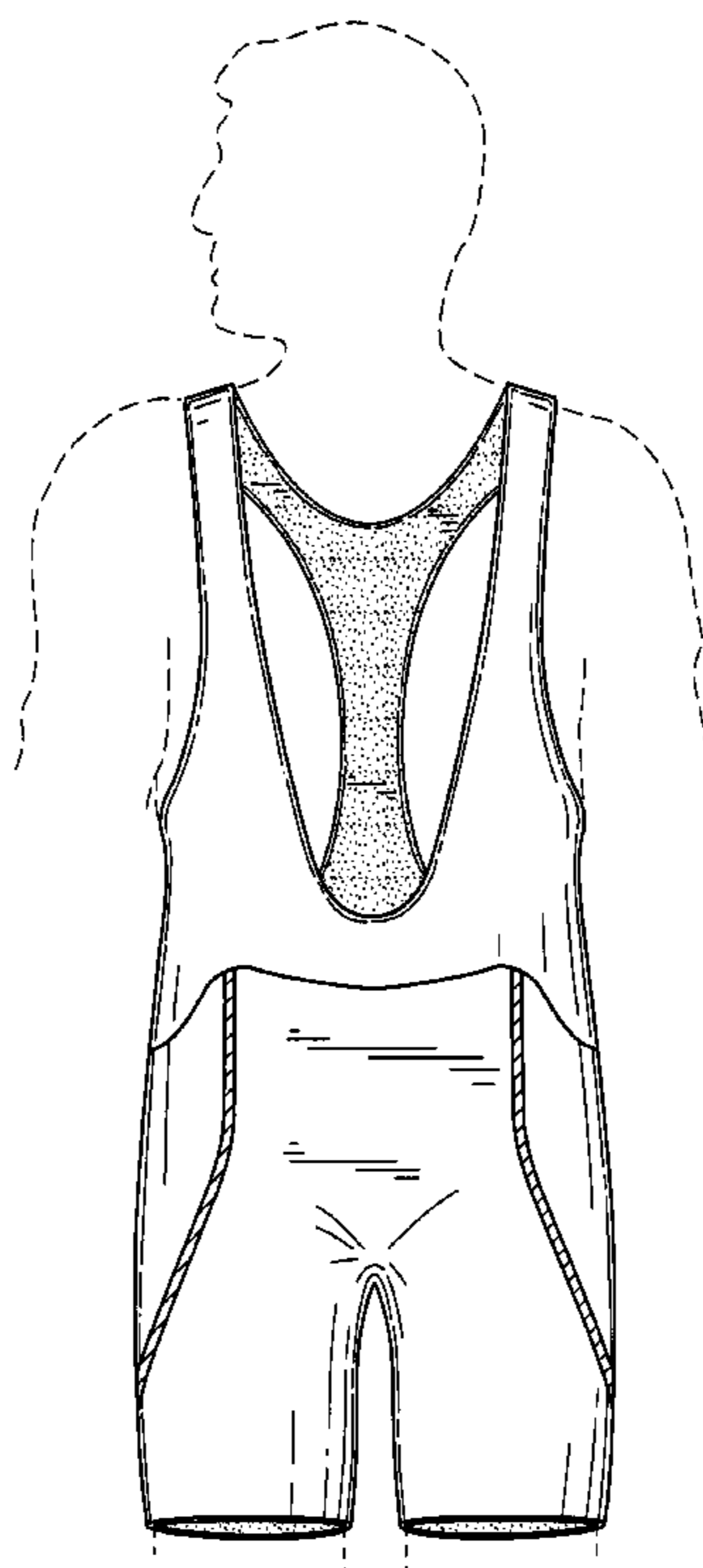
FIG. 8 is a left side view thereof, with the right side view being identical thereto;

FIG. 9 is a top view thereof; and,

FIG. 10 is a bottom view thereof.

The drawings are lined for color.

1 Claim, 6 Drawing Sheets



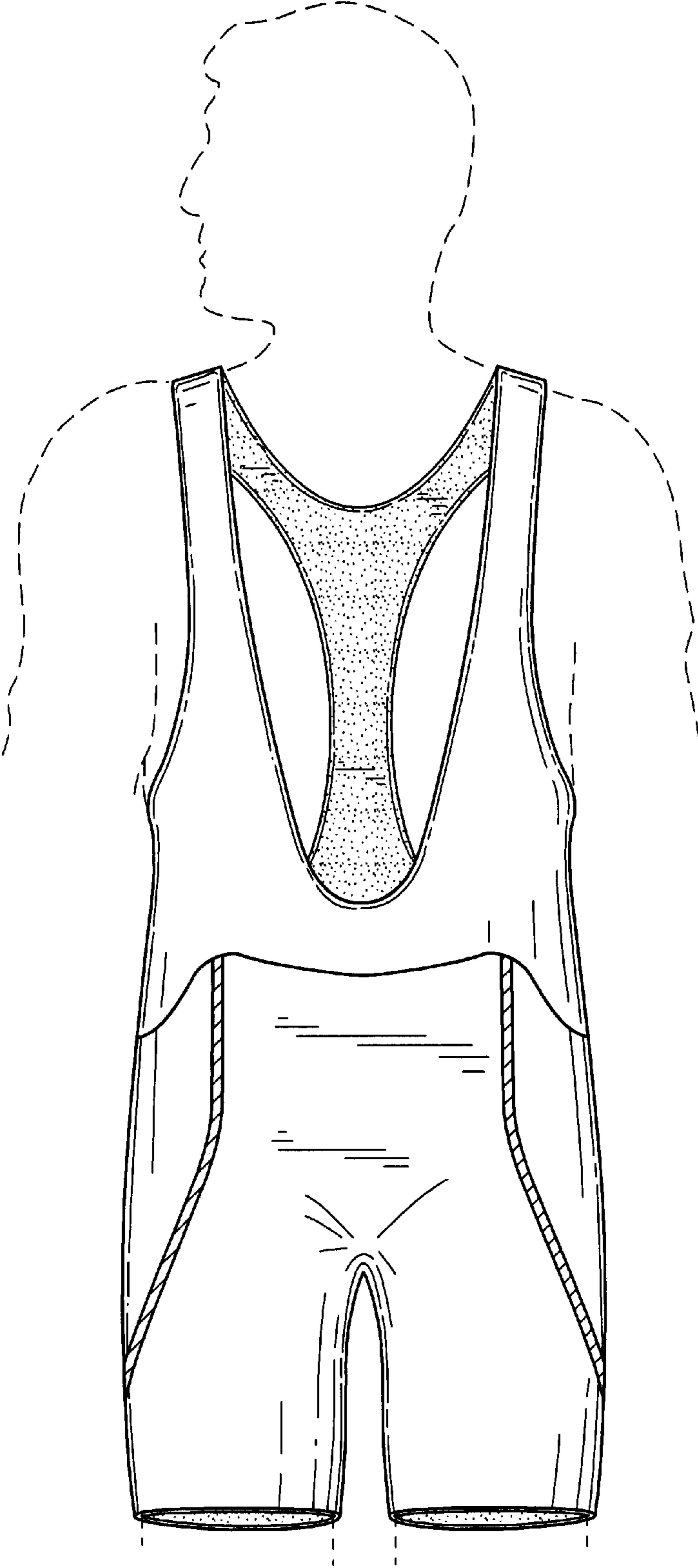


FIG.1

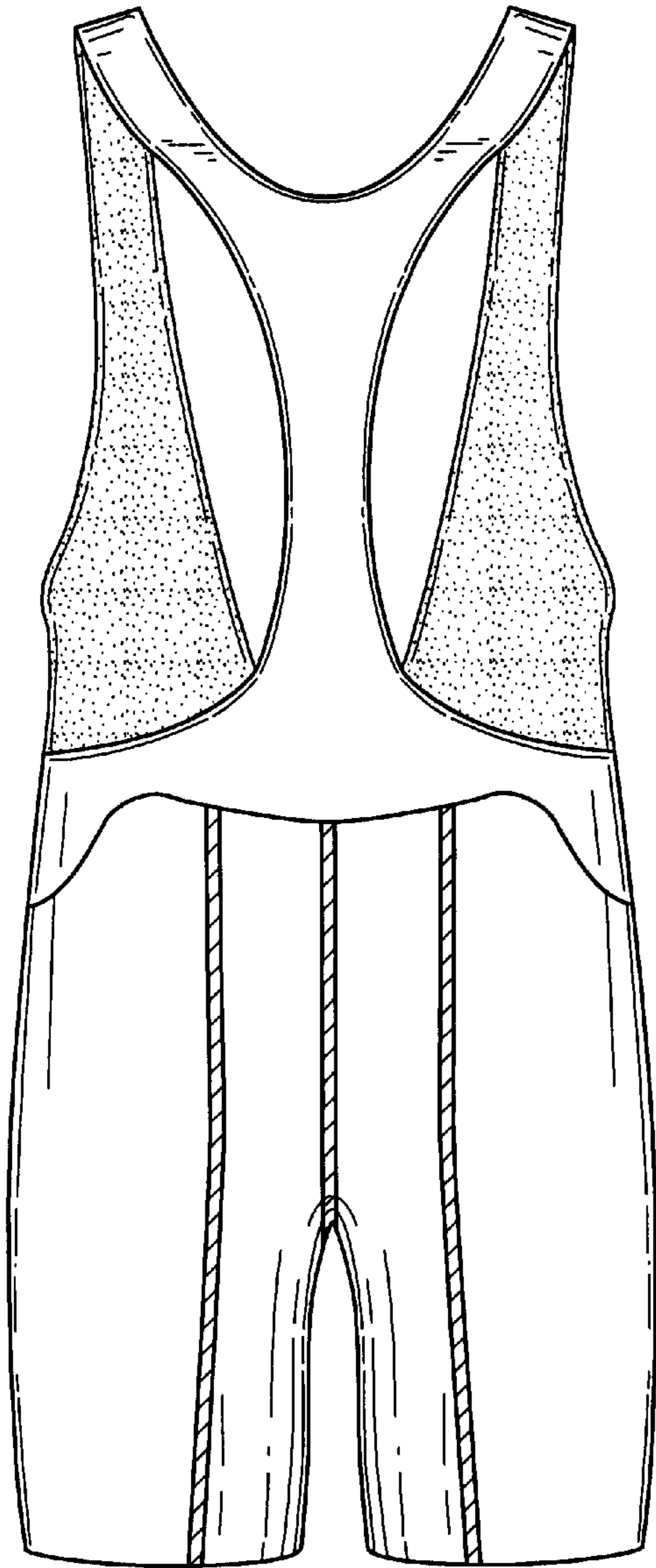


FIG. 2

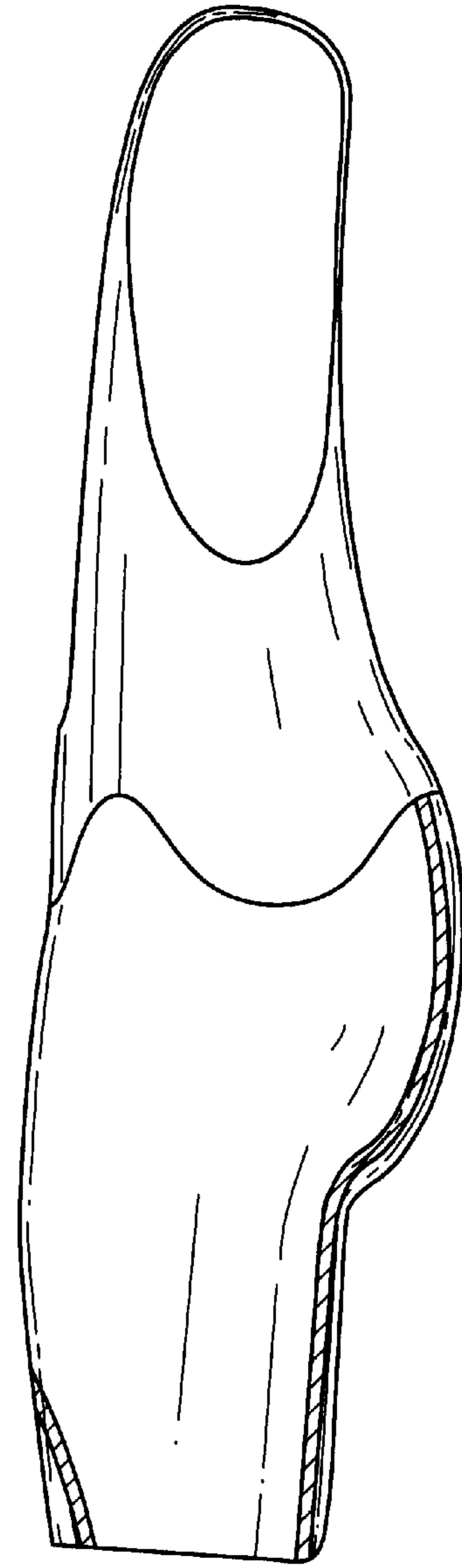


FIG. 3

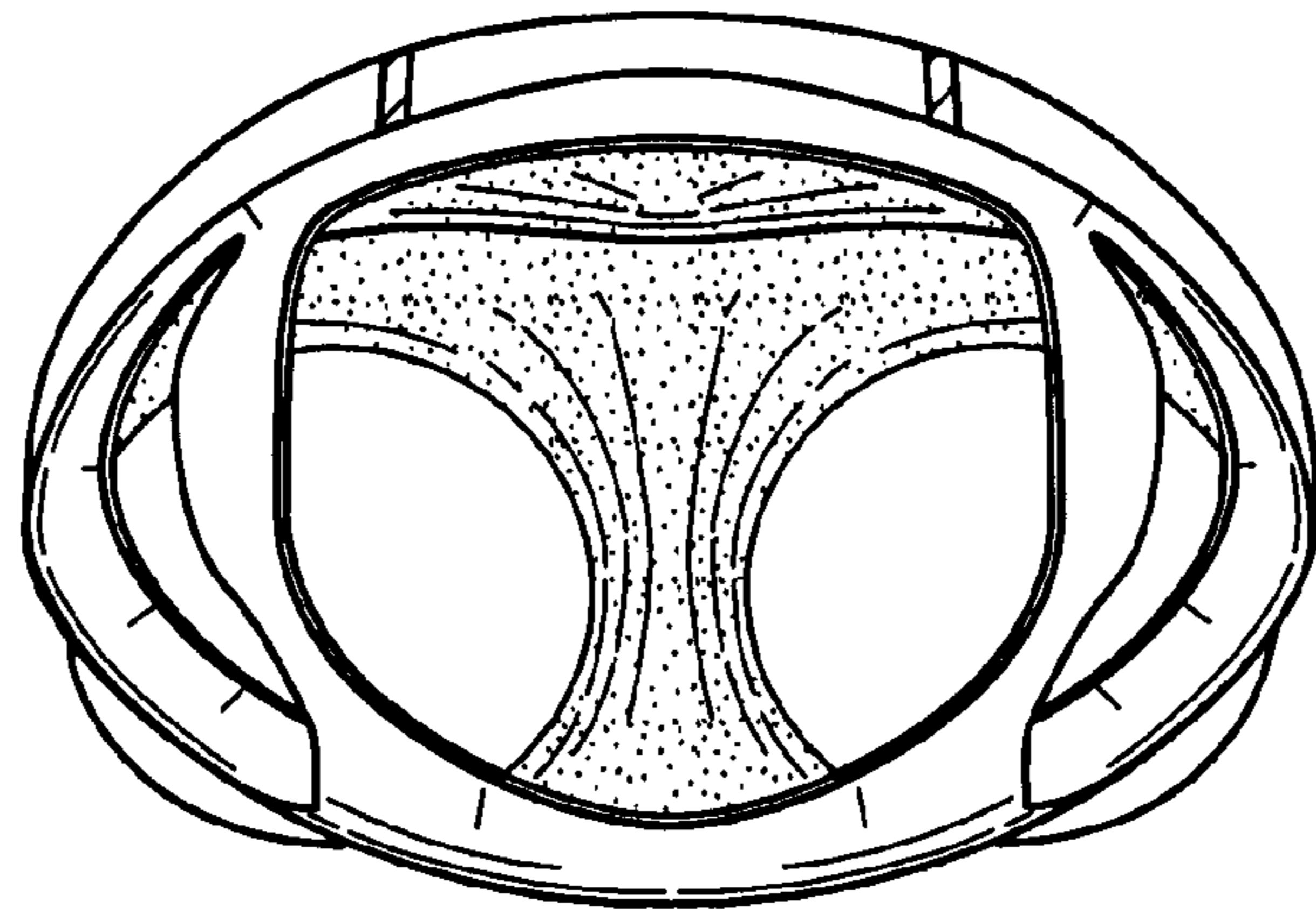


FIG.4

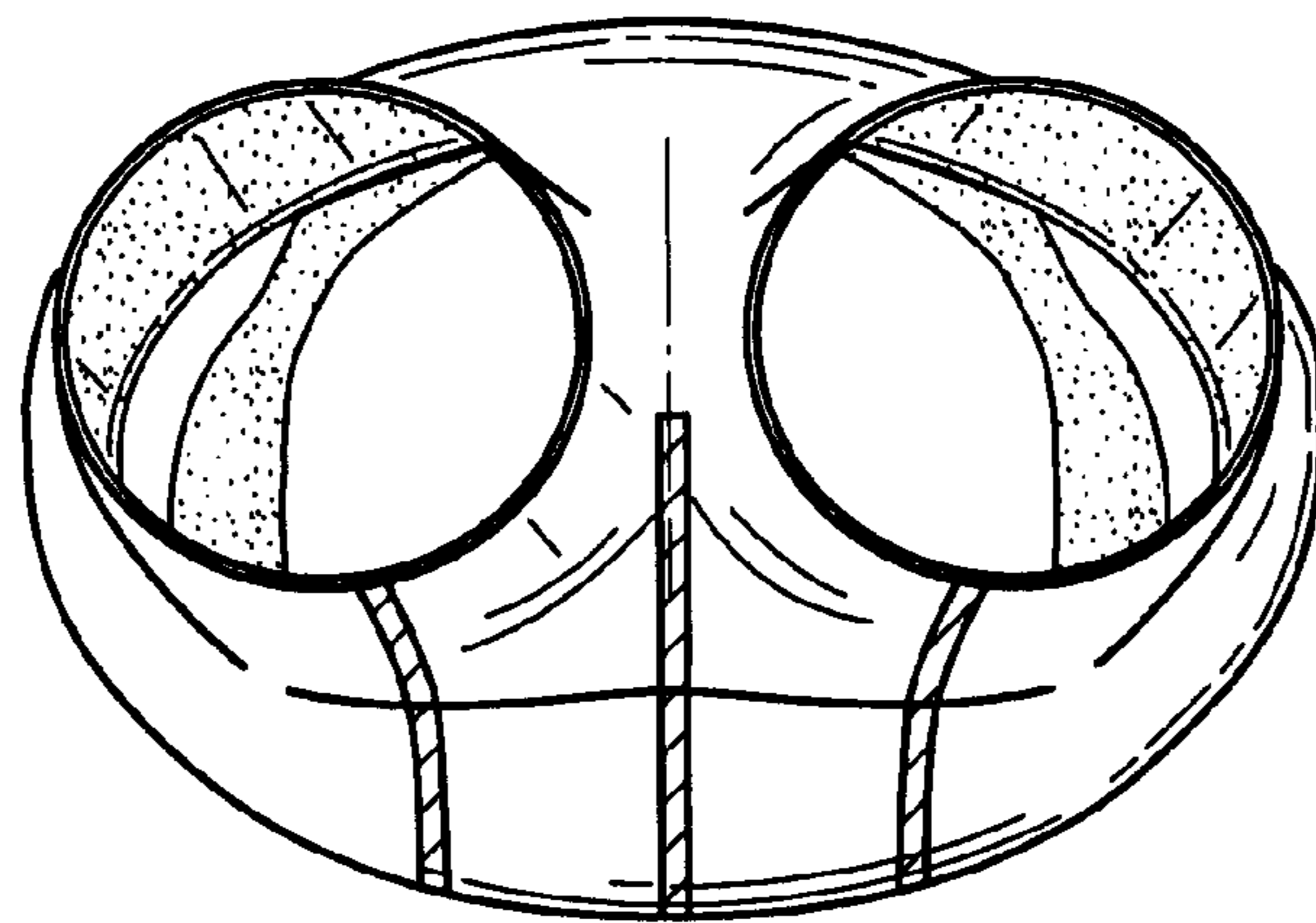


FIG.5

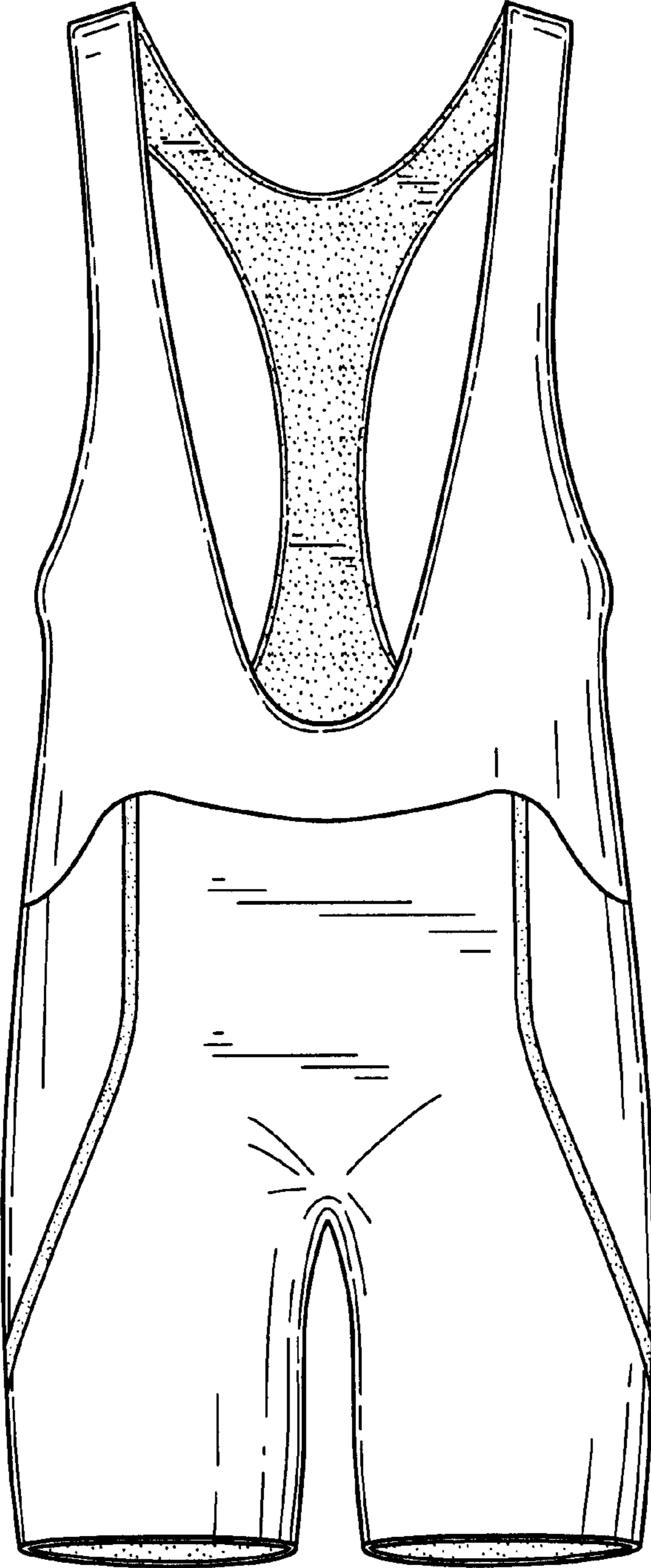


FIG.6

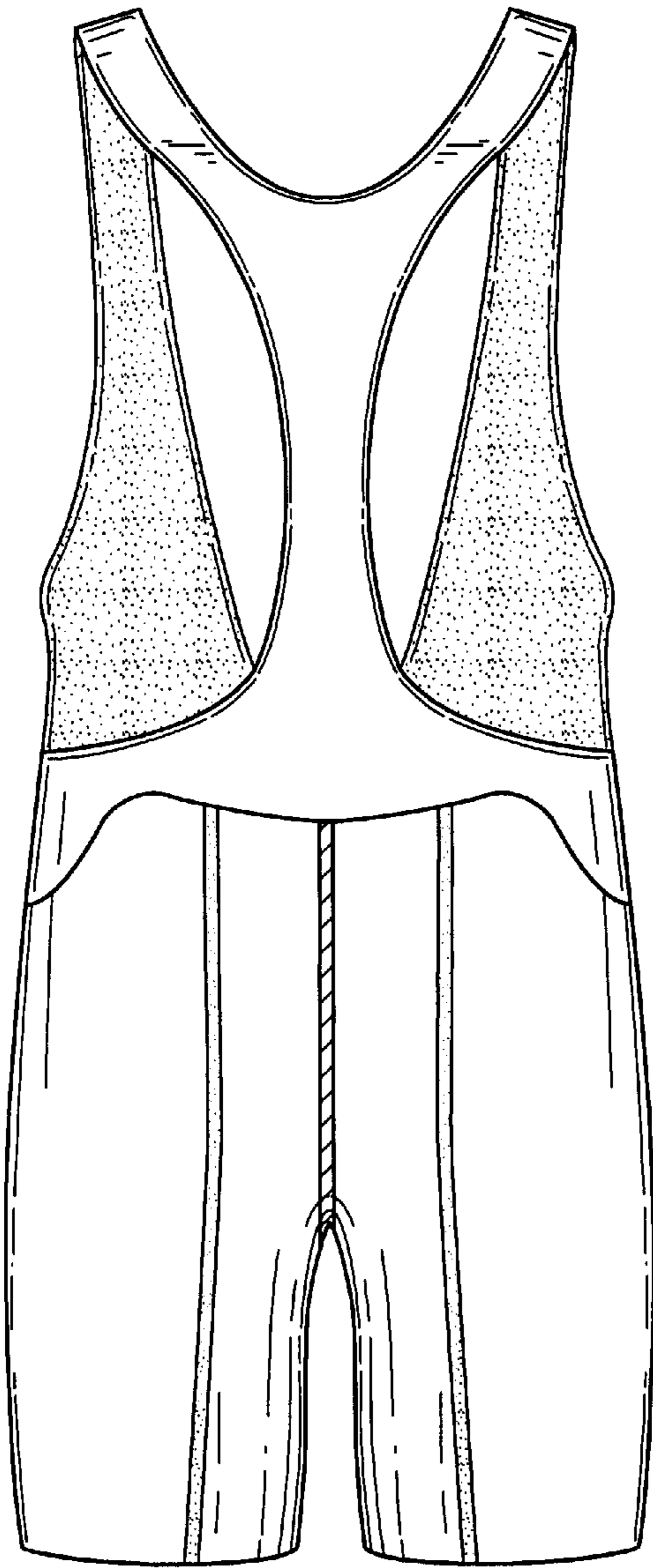


FIG.7

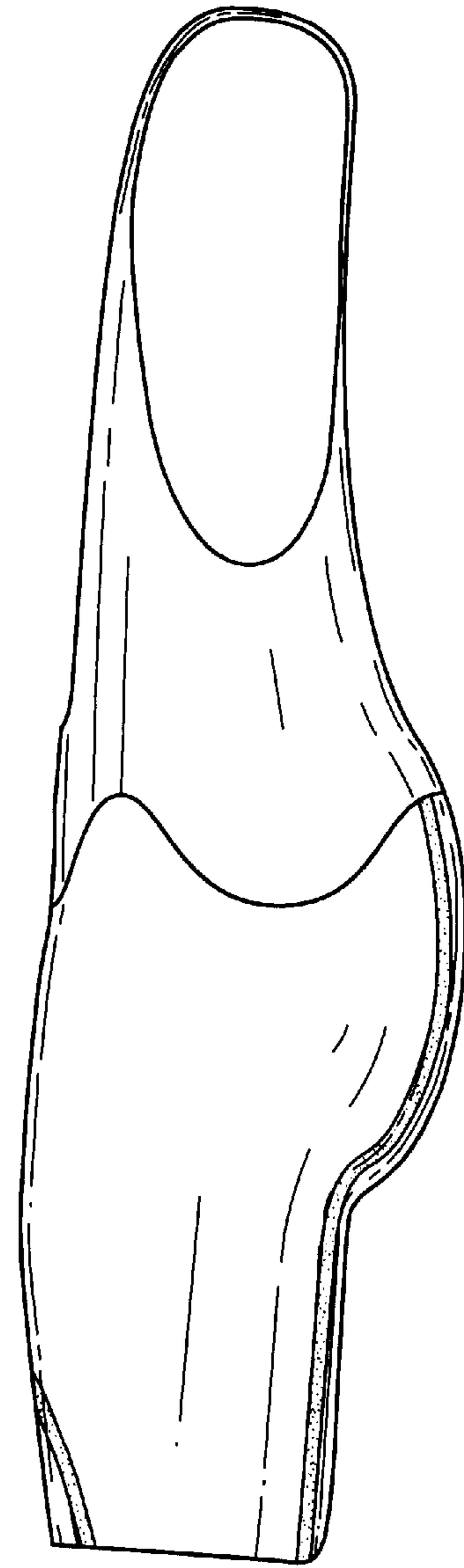


FIG.8

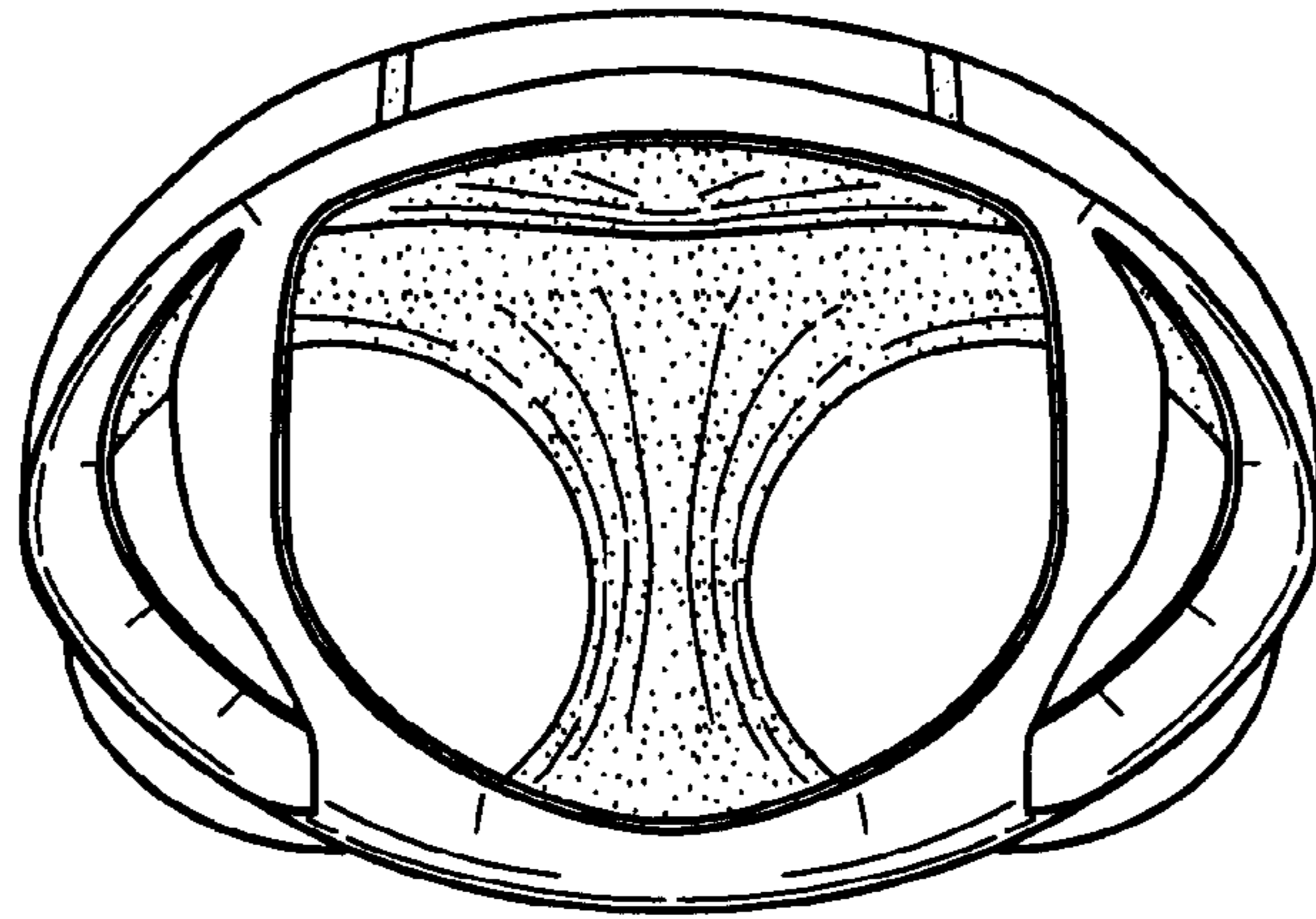


FIG. 9

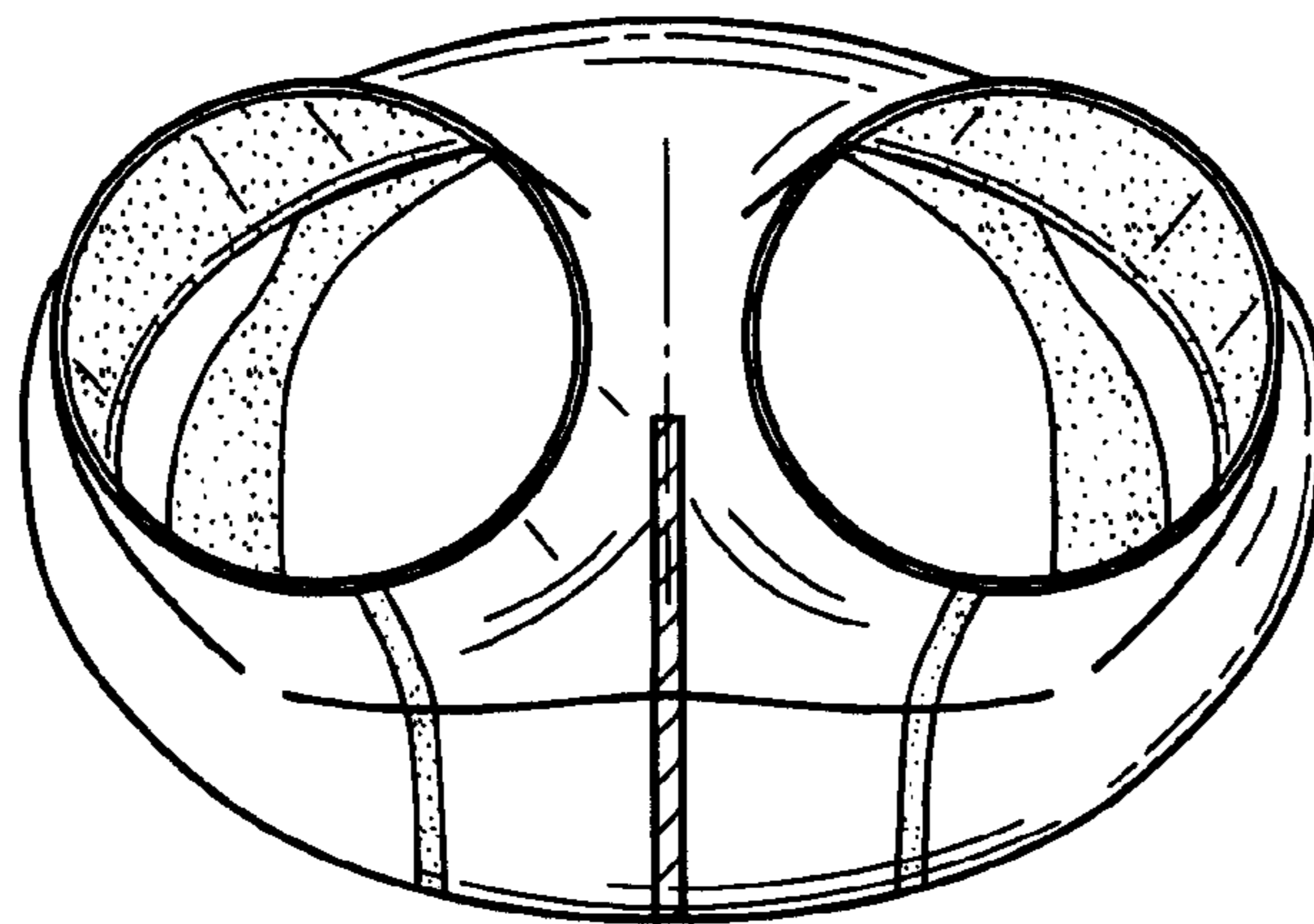


FIG. 10