

US00D515280S

(12) **United States Design Patent**  
**Luciano et al.**

(10) **Patent No.:** **US D515,280 S**

(45) **Date of Patent:** **\*\* Feb. 21, 2006**

(54) **PAIR OF RALLY PADS**

(76) Inventors: **Hector V. Luciano**, 743 Dauphin Rd.,  
Vineland, NJ (US) 08361; **Richard**  
**Gruff**, 25 Belleplain Rd., Leesburg, NJ  
(US) 08327

(\*\*) **Term:** **14 Years**

(21) **Appl. No.:** **29/221,702**

(22) **Filed:** **Jan. 17, 2005**

**Related U.S. Application Data**

(62) Division of application No. 29/194,229, filed on Nov. 20,  
2003, now Pat. No. Des. 500,909.

(51) **LOC (8) Cl.** ..... **02-06**

(52) **U.S. Cl.** ..... **D2/615; D20/29**

(58) **Field of Classification Search** ..... D2/610,  
D2/613-615, 622-623, 999; D29/113, 118,  
D29/119, 122; 2/16, 20, 158-159, 116.1,  
2/910, 917; D21/314, 318, 788, 328; D20/23,  
D20/29; D28/63

See application file for complete search history.

(56) **References Cited**

**U.S. PATENT DOCUMENTS**

D131,053 S \* 1/1942 Stall ..... D2/615

D262,717 S \* 1/1982 Dweck ..... D21/328  
D311,267 S \* 10/1990 Pesta ..... D2/869  
D322,633 S \* 12/1991 Sweeting et al. .... D2/615  
6,108,817 A \* 8/2000 Kostelac ..... 2/159  
D483,916 S \* 12/2003 Crosswaite ..... D28/63

\* cited by examiner

*Primary Examiner*—Robert A. Delehanty  
(74) *Attorney, Agent, or Firm*—Stuart M. Goldstein

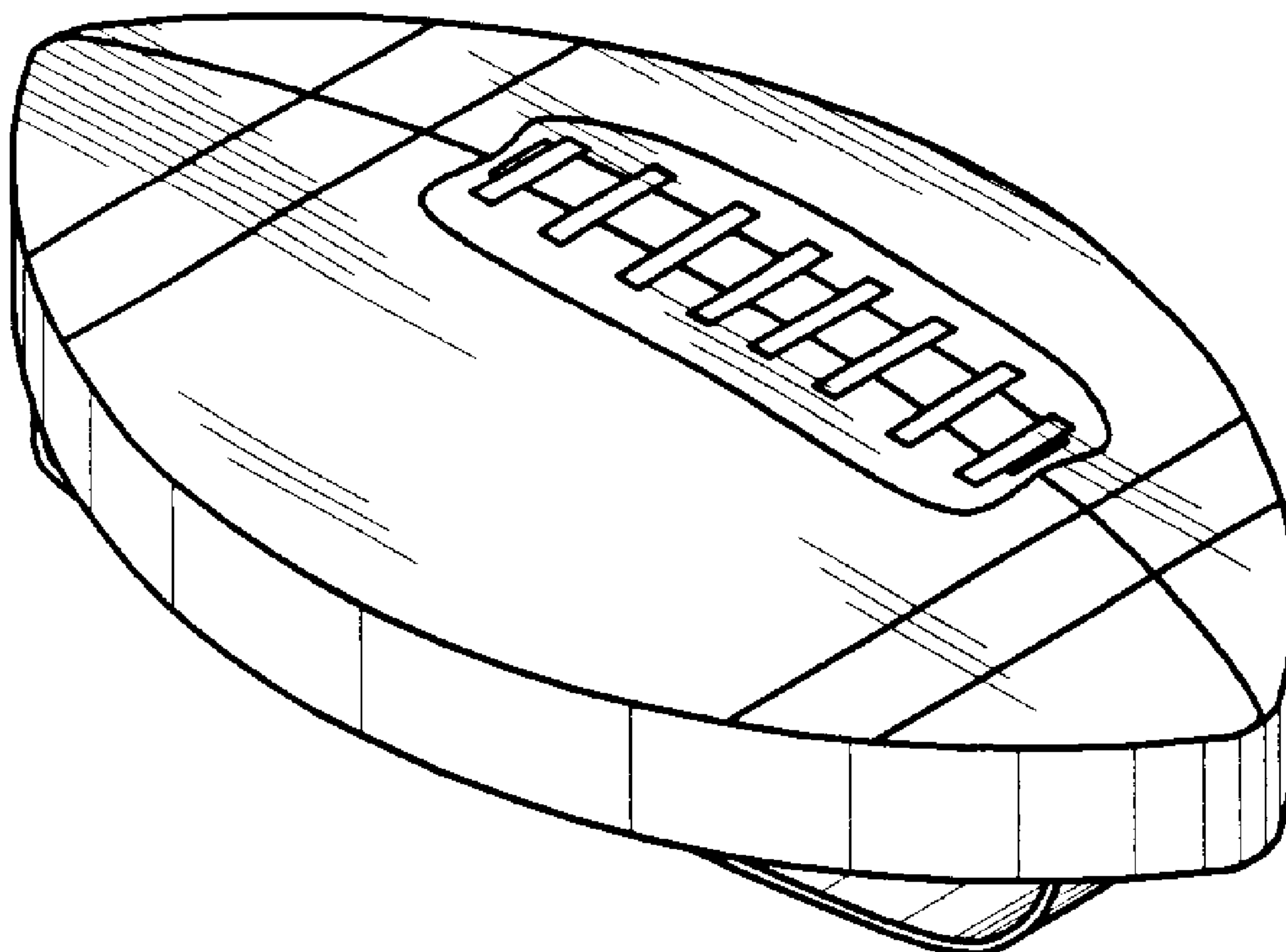
(57) **CLAIM**

The ornamental design for a pair of rally pads, as shown and described.

**DESCRIPTION**

FIG. 1 is a perspective view of one of the pair of rally pads showing my new design separately for clarity of illustration, it being understood the second of the pair is identical; FIG. 2 is a top view of the pair of rally pads shown in FIG. 1. FIG. 3 is a bottom view of the pair of rally pads shown in FIG. 1. FIG. 4 is a side view of the pair of rally pads shown in FIG. 1; and, FIG. 5 is another side view of the pair of rally pads, turned 90 degrees from the view which is shown in FIG. 4.

**1 Claim, 1 Drawing Sheet**



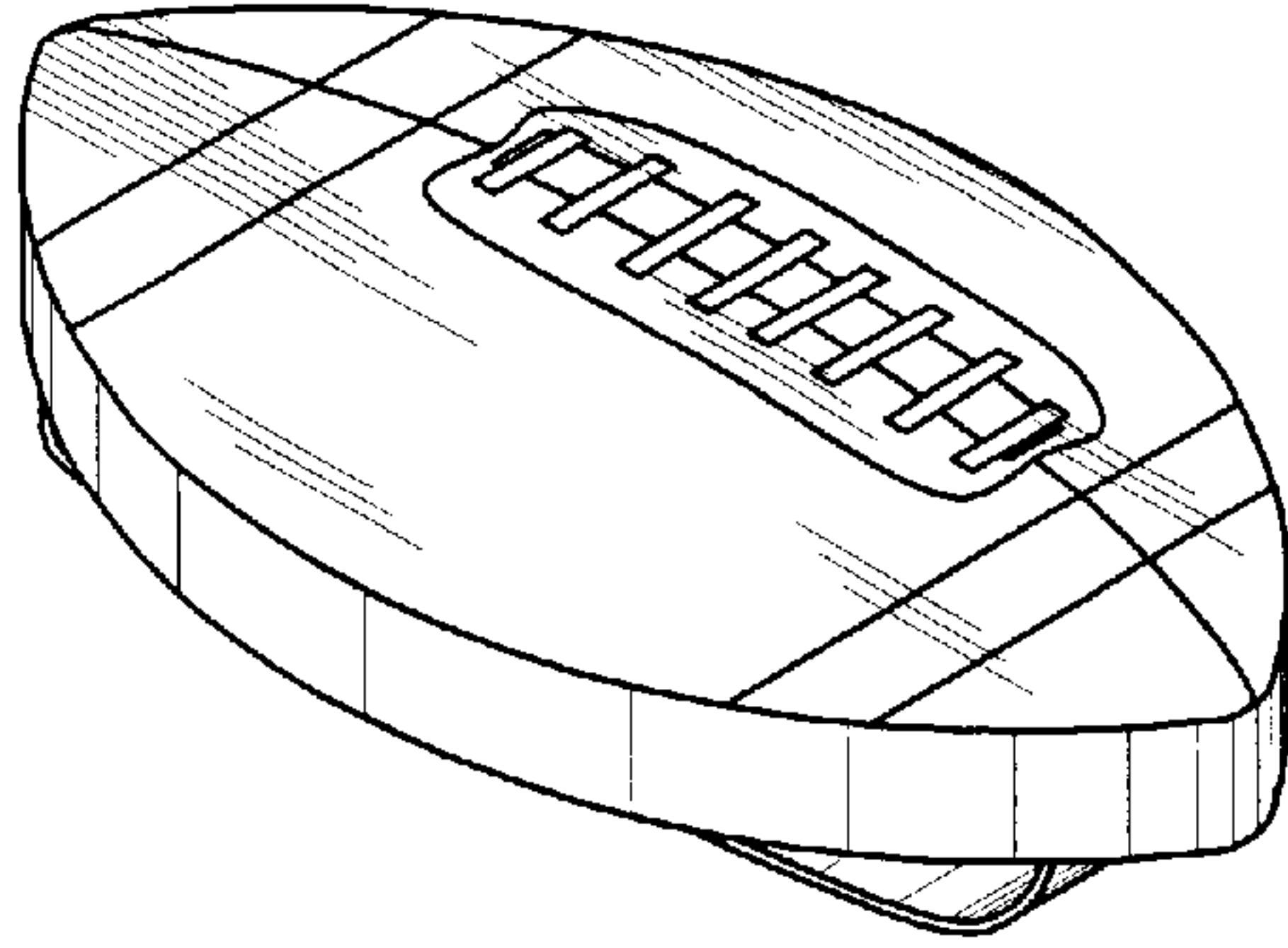


FIG. 1

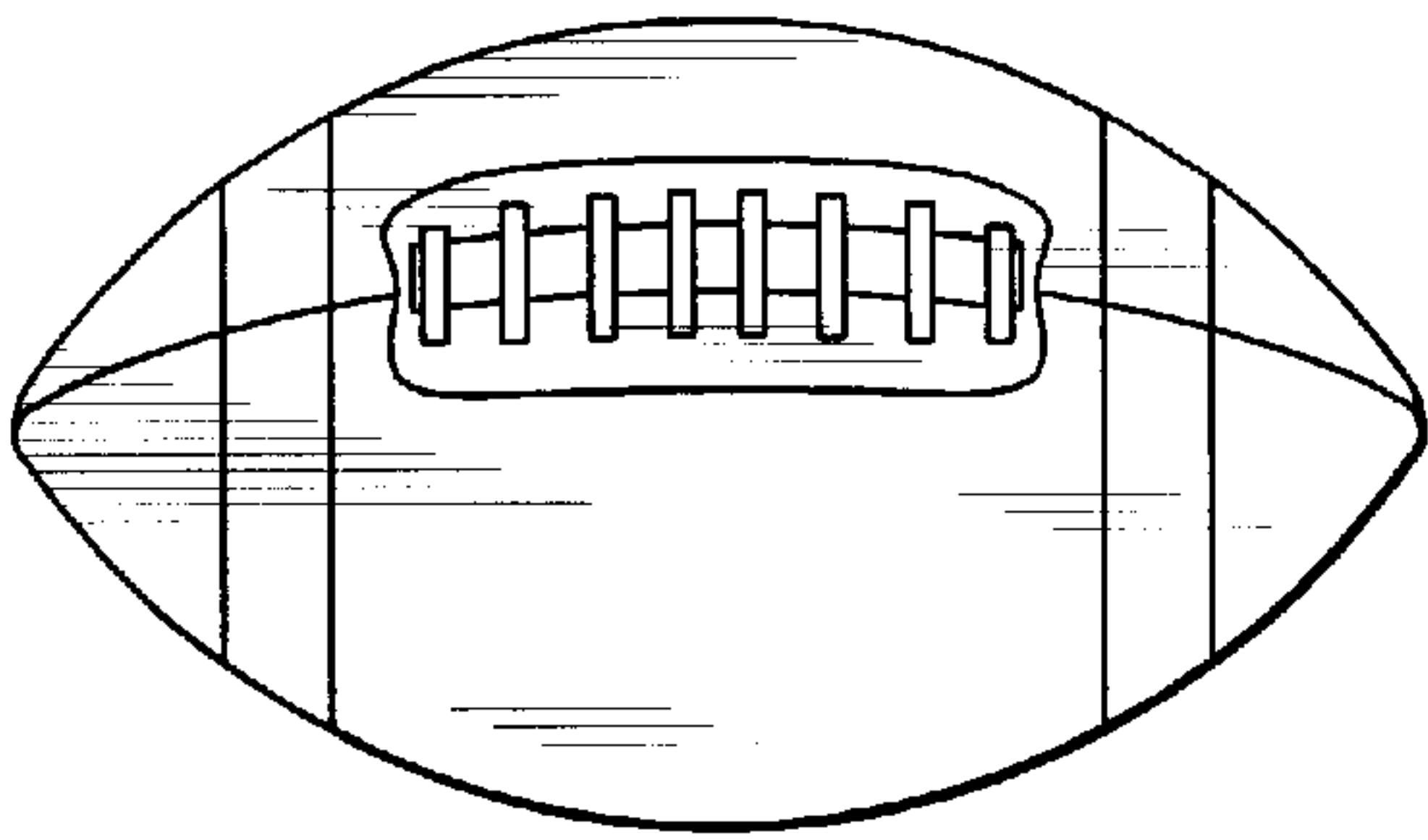


FIG. 2

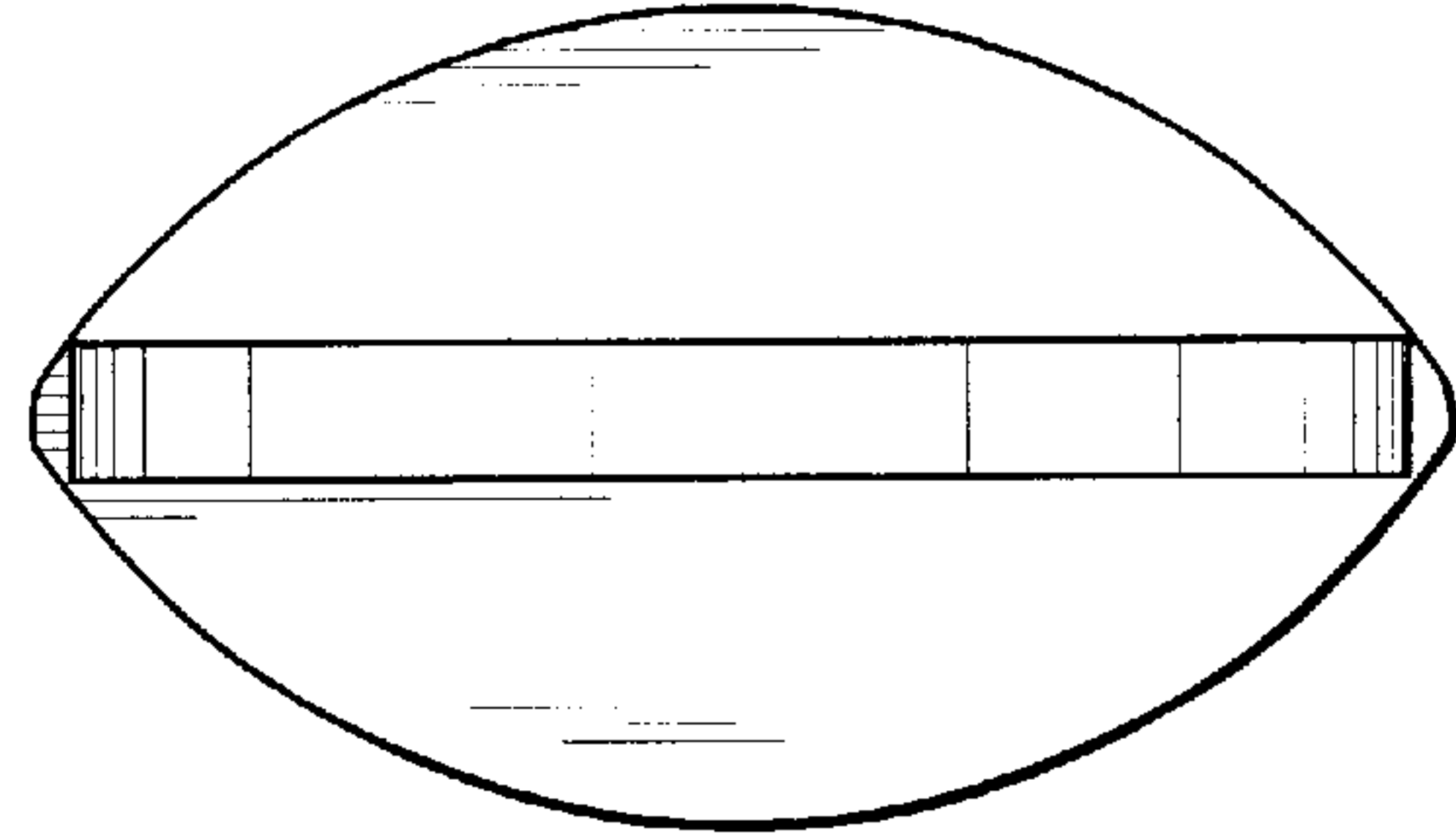


FIG. 3

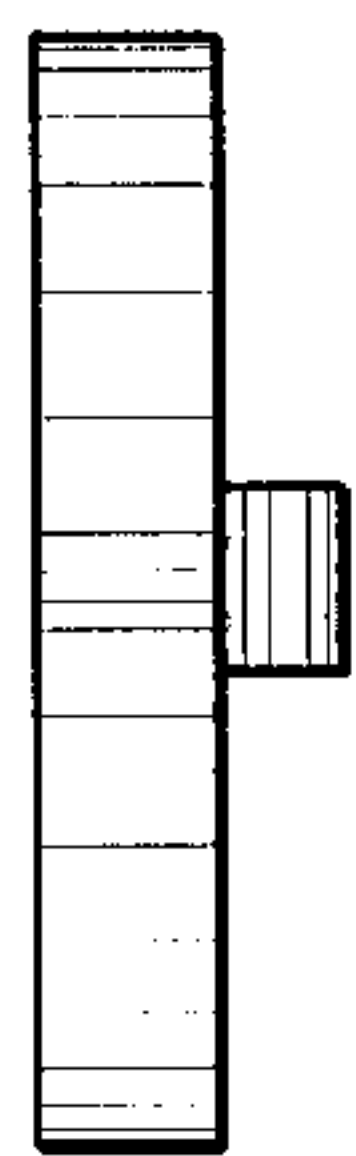


FIG. 4

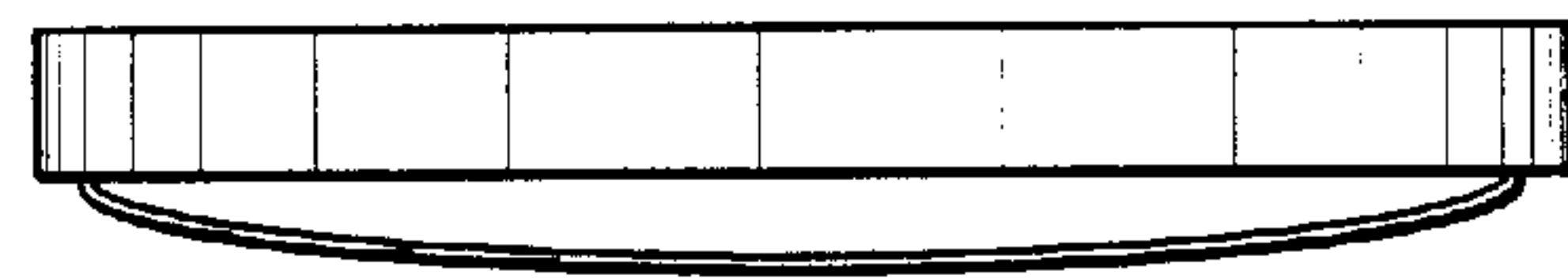


FIG. 5