



US00D515272S

(12) **United States Design Patent**
Haro

(10) **Patent No.:** **US D515,272 S**

(45) **Date of Patent:** **** Feb. 21, 2006**

(54) **WAND-SHAPED FOOD PRODUCT**

D394,535 S * 5/1998 Villota et al. D1/126

(75) Inventor: **Guillermo Haro**, Skokie, IL (US)

* cited by examiner

(73) Assignee: **Kraft Foods Holdings, Inc.**, Northfield, IL (US)

Primary Examiner—Pamela Burgess

(74) *Attorney, Agent, or Firm*—Fitch, Even, Tabin & Flannery

(**) Term: **14 Years**

(57) **CLAIM**

(21) Appl. No.: **29/220,188**

The ornamental design for a wand-shaped food product, as shown and described.

(22) Filed: **Dec. 28, 2004**

DESCRIPTION

Related U.S. Application Data

(62) Division of application No. 29/207,530, filed on Jun. 15, 2004, which is a division of application No. 29/189,067, filed on Aug. 28, 2003, now Pat. No. Des. 495,462.

FIG. 1 is a perspective view showing an embodiment of my new design, comprising a wand-shaped food product;

(51) **LOC (8) Cl.** **01-01**

FIG. 2 is a front elevation view of the wand-shaped food product of FIG. 1, the back elevation view being the mirror image thereof;

(52) **U.S. Cl.** **D1/106; D1/126**

FIG. 3 is a left side elevation view of the wand-shaped food product of FIG. 1;

(58) **Field of Classification Search** D1/106,
D1/126-127; 426/104, 516; D21/386, 402;
D11/70

FIG. 4 is a right side elevation view of the wand-shaped food product of FIG. 1;

See application file for complete search history.

FIG. 5 is a bottom plan view of the wand-shaped food product of FIG. 1; and,

(56) **References Cited**

FIG. 6 is a top plan view of the wand-shaped food product of FIG. 1.

U.S. PATENT DOCUMENTS

D317,183 S * 5/1991 Neuroth et al. D21/402

1 Claim, 1 Drawing Sheet

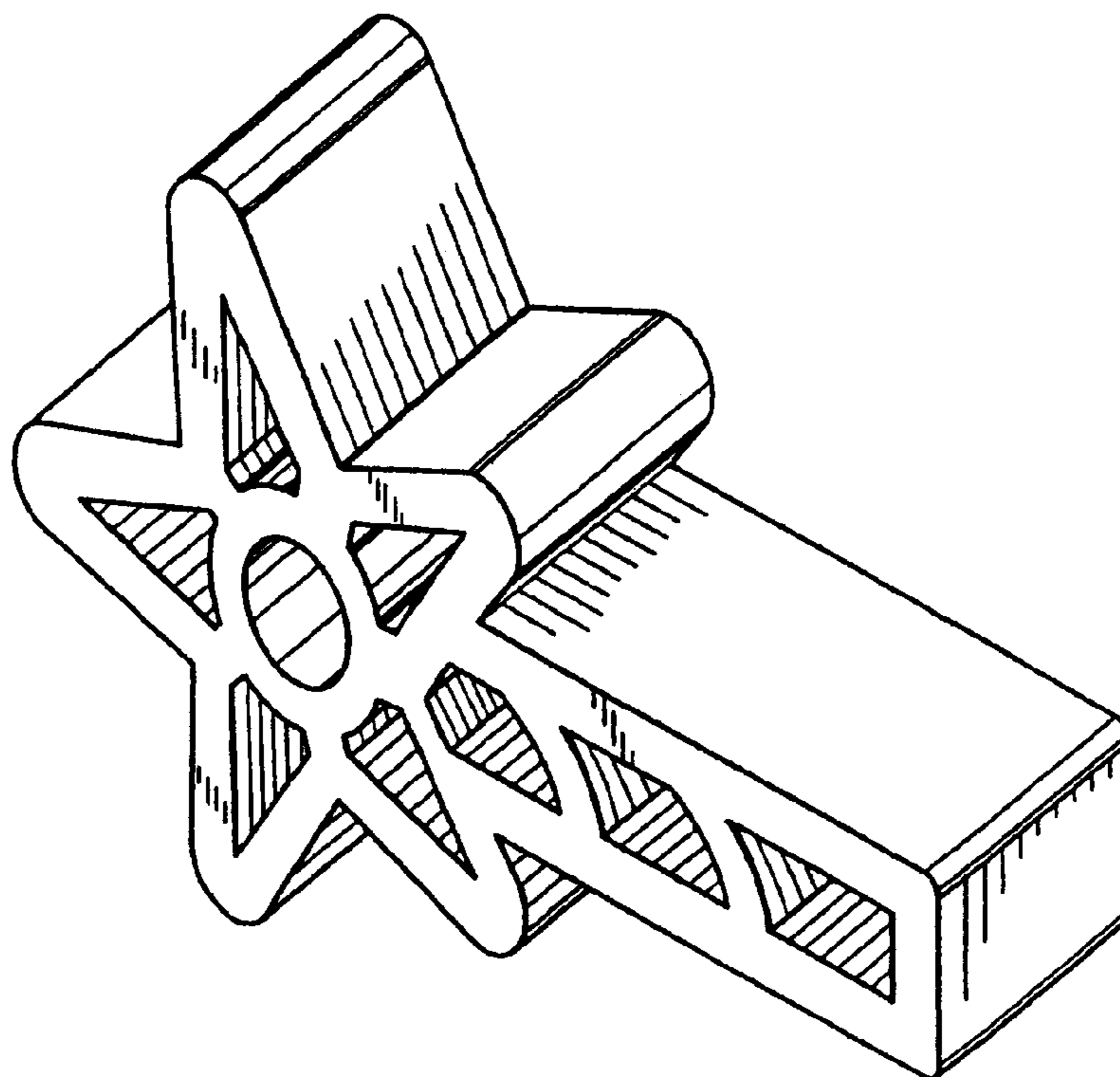


Fig. 1

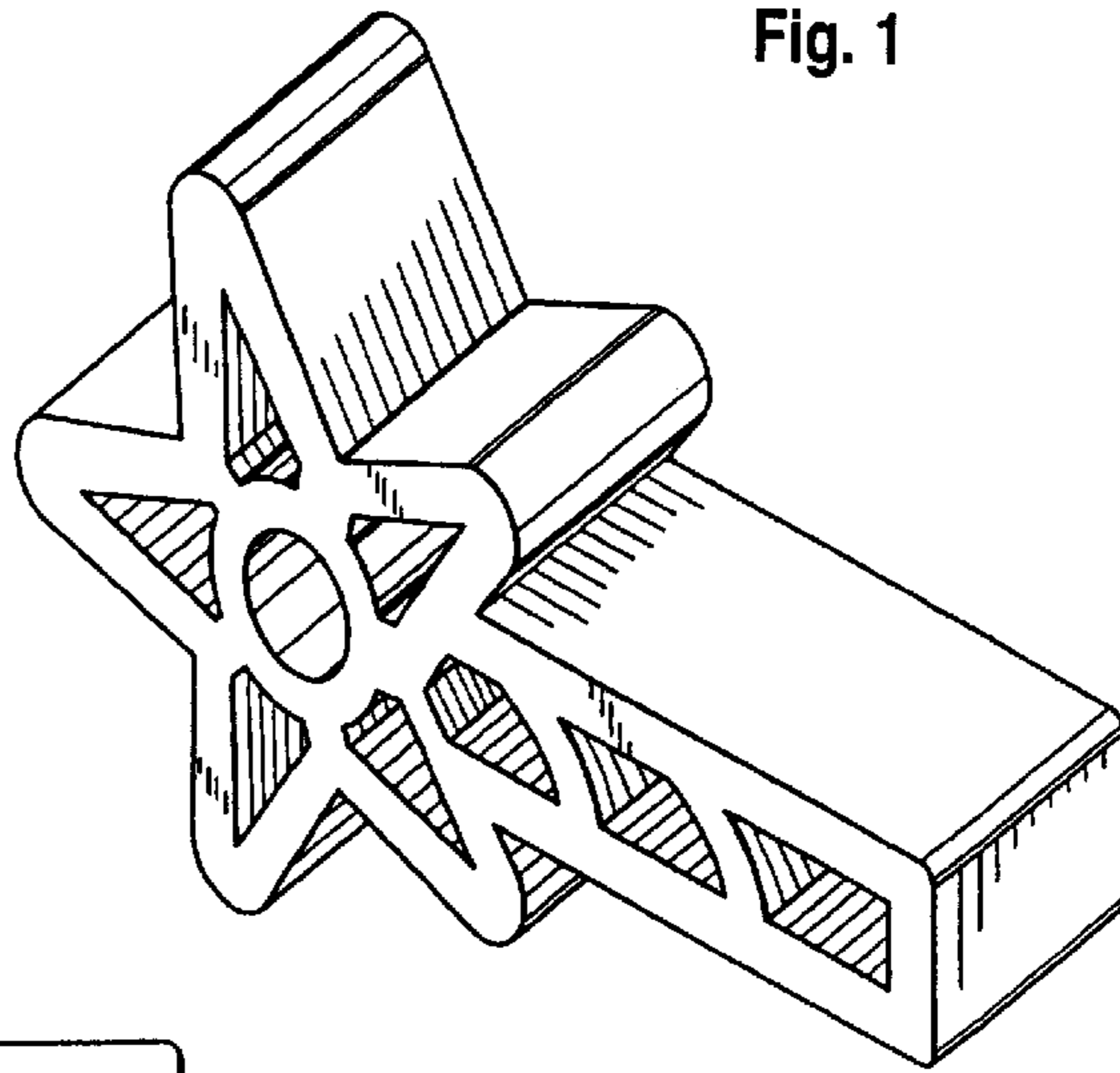


Fig. 2

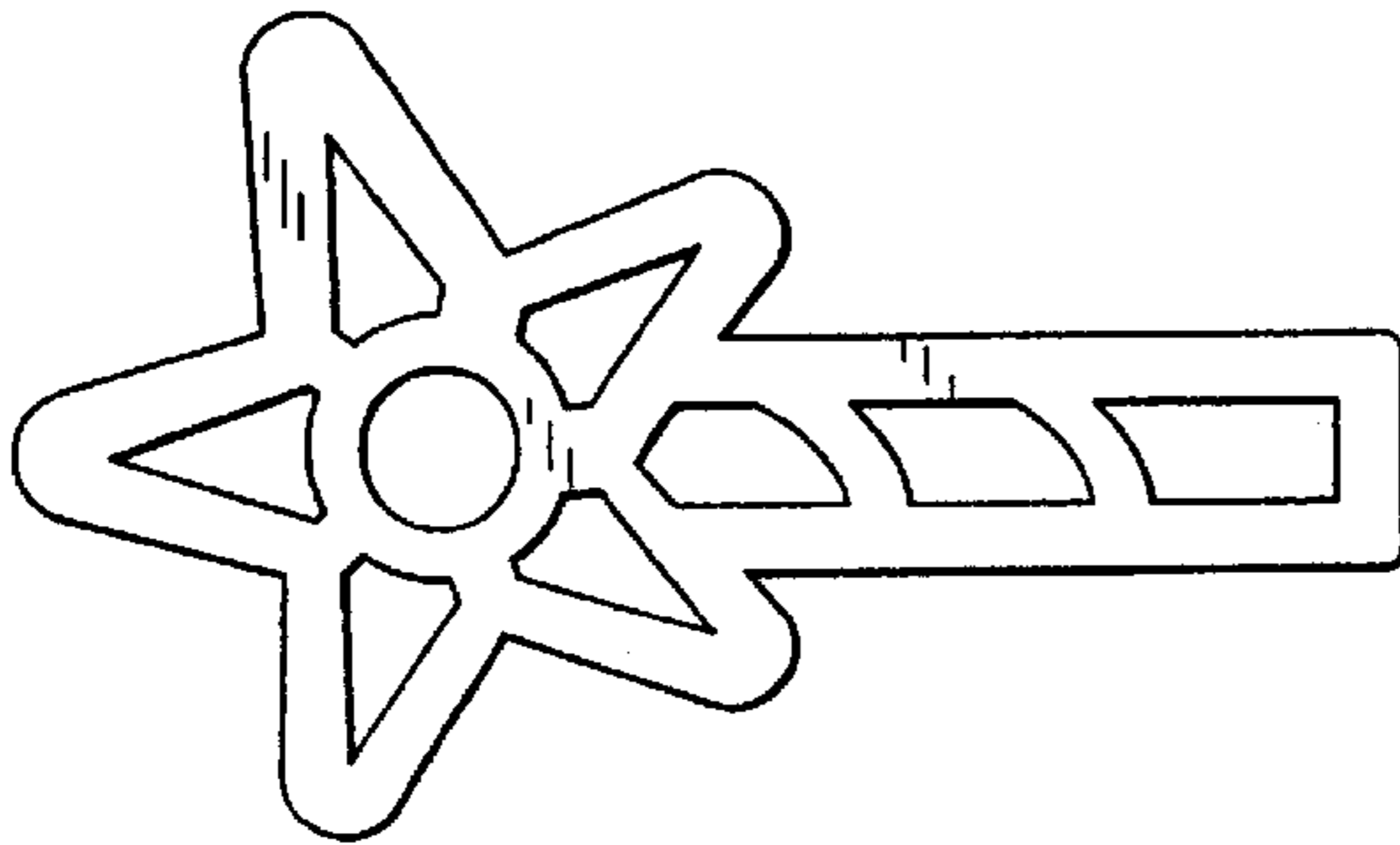


Fig. 3

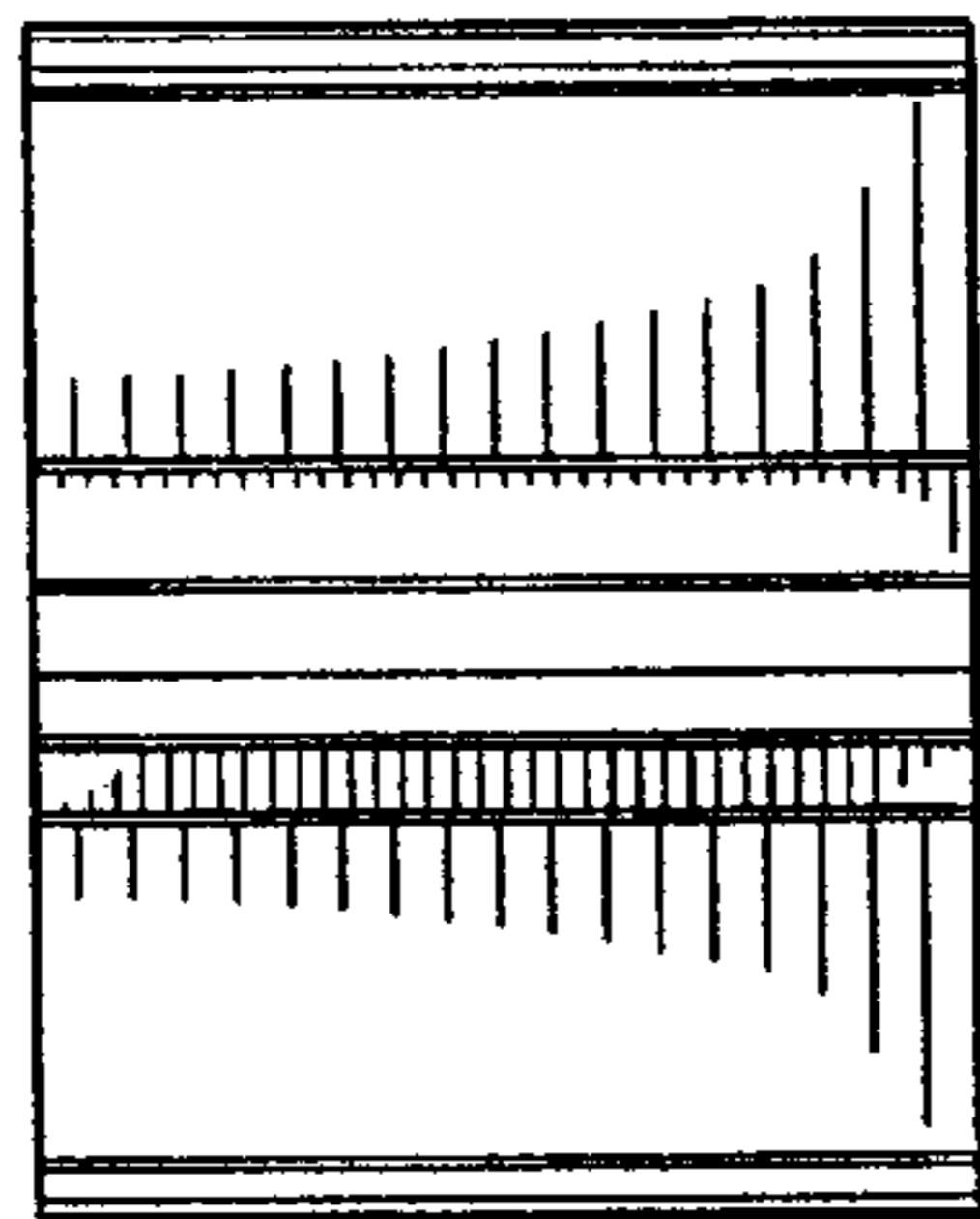


Fig. 4

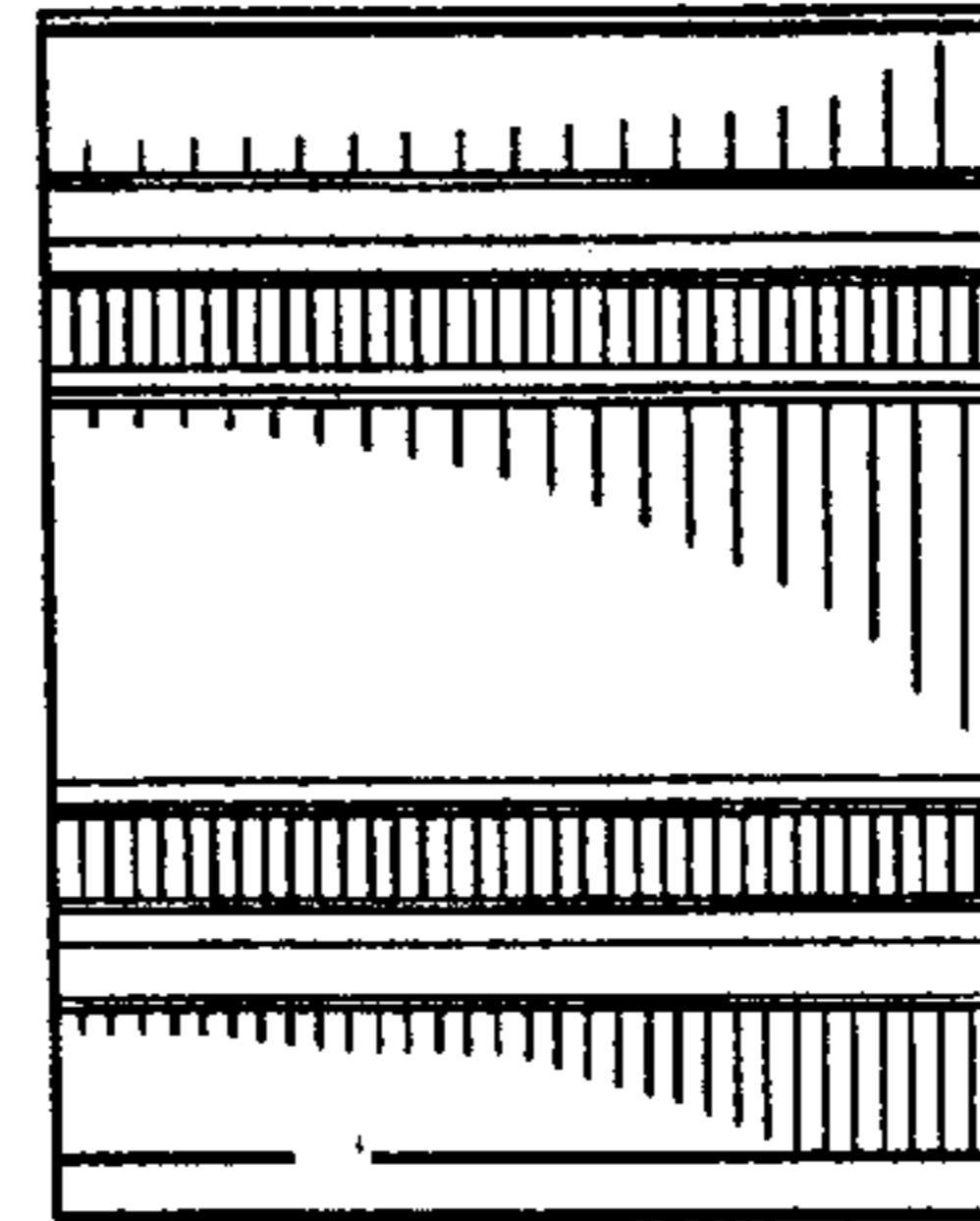


Fig. 5

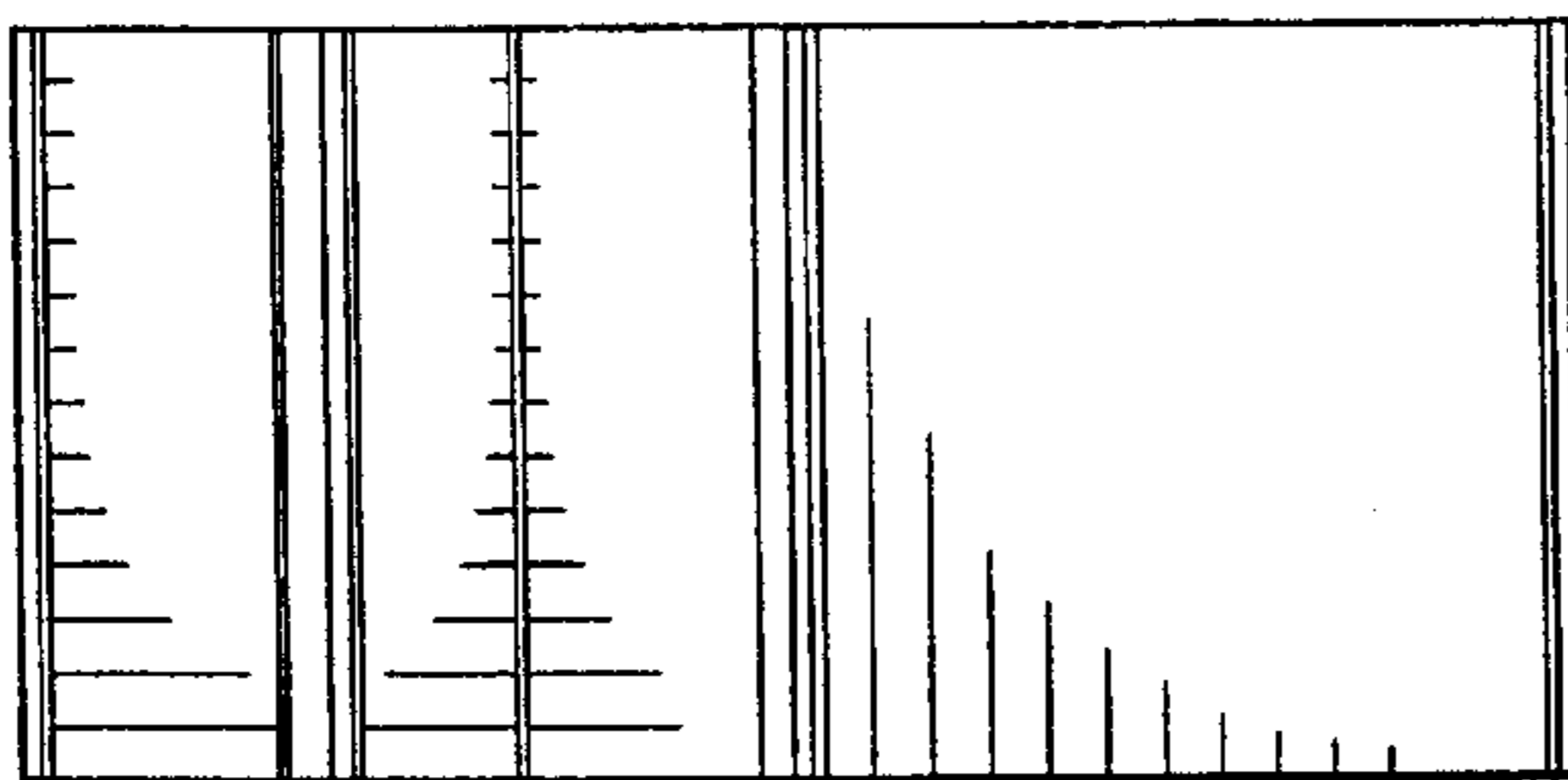


Fig. 6

