



US00D515269S

(12) **United States Design Patent**  
**Reed**

(10) **Patent No.:** **US D515,269 S**  
(45) **Date of Patent:** **\*\* Feb. 14, 2006**

(54) **ROUND BARN MAILBOX**  
(76) **Inventor:** **Richard L. Reed**, 1888 S. Layton  
Station Rd., Covington, IN (US) 47932  
(\*\*) **Term:** **14 Years**  
(21) **Appl. No.:** **29/220,607**  
(22) **Filed:** **Jan. 3, 2005**

D344,392 S 2/1994 Gardner  
D348,761 S 7/1994 Castelli  
D354,611 S 1/1995 Hazlett  
D354,829 S 1/1995 Willis  
D371,889 S 7/1996 Bollhardt  
D377,706 S 1/1997 Perrish  
D378,463 S 3/1997 Willis  
D388,232 S 12/1997 Valentino  
D459,568 S 6/2002 Glenn  
D483,544 S 12/2003 Minniti

(51) **LOC (8) Cl.** ..... **25-03**  
(52) **U.S. Cl.** ..... **D99/30**  
(58) **Field of Classification Search** ..... D99/29,  
D99/30, 31, 32; 232/17, 27, 34; D25/1, 3,  
D25/6, 31; 52/199, 219, 236.9; D21/483;  
446/219  
See application file for complete search history.

\* cited by examiner  
*Primary Examiner*—Paula A. Greene  
(74) *Attorney, Agent, or Firm*—Frank D. Lachenmaier

(57) **CLAIM**

The ornamental design for the round barn mailbox, as shown and described.

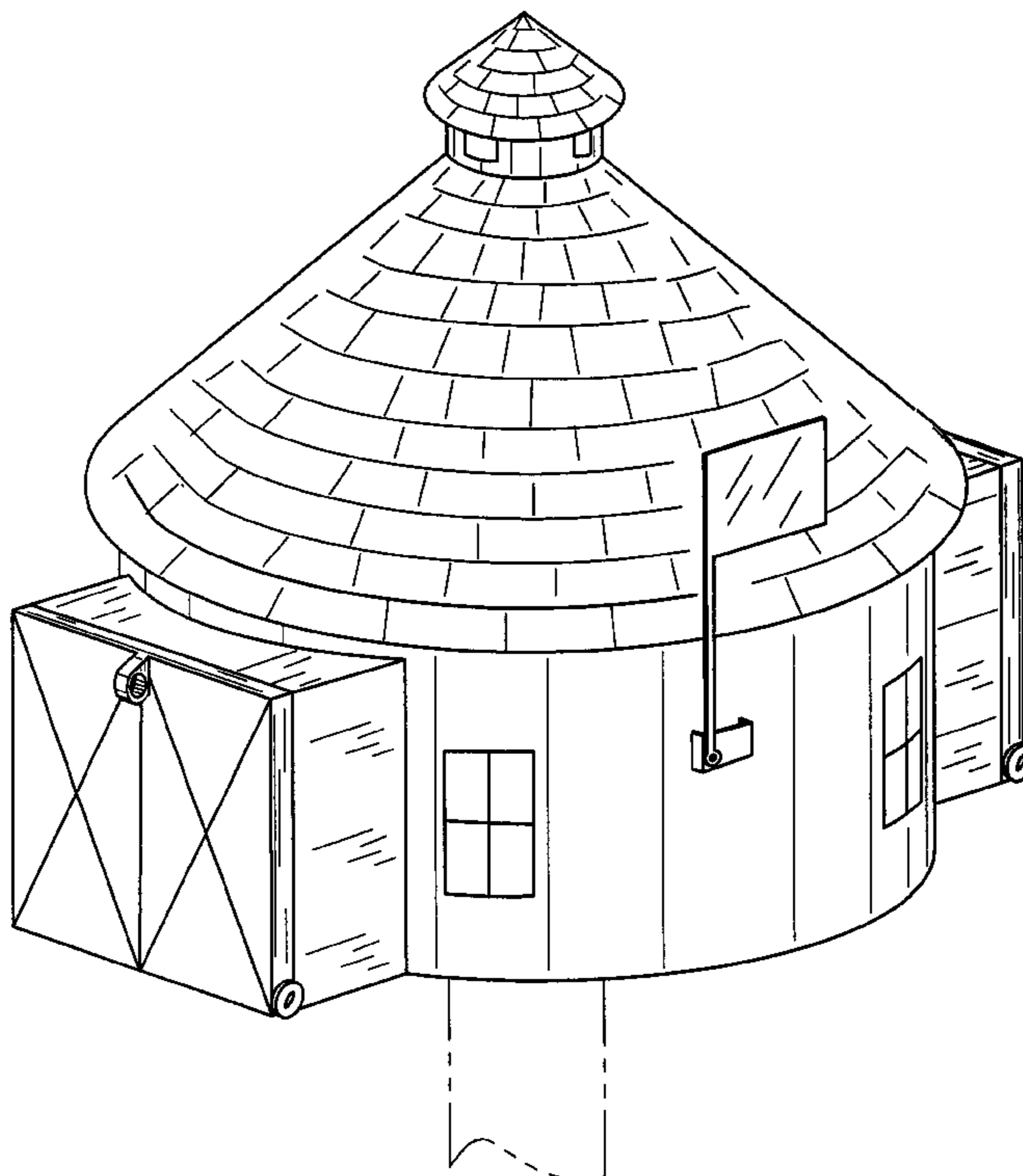
(56) **References Cited**  
**U.S. PATENT DOCUMENTS**

894,577 A \* 7/1908 Bessner ..... 232/27  
D234,132 S \* 1/1975 Varian ..... D25/31  
4,015,381 A \* 4/1977 Schmidt ..... 52/199  
D248,677 S 7/1978 Masso  
D256,287 S 8/1980 McConnell  
D269,048 S 5/1983 Fruchtl  
D283,747 S 5/1986 Margiloff  
D288,258 S 2/1987 Oden  
D291,937 S 9/1987 Fisher  
4,757,942 A \* 7/1988 Young, Jr. .... 232/17  
D301,929 S 6/1989 Evans  
D331,481 S \* 12/1992 Barlow ..... D99/30

**DESCRIPTION**

FIG. 1 is a top view of a round barn mail box showing my new design;  
FIG. 2 is a front view thereof, the rear view being a mirror image;  
FIG. 3 is a right side elevational view thereof, the left side elevational view being a mirror image;  
FIG. 4 is a bottom side view thereof; and,  
FIG. 5 is an isometric view of a round barn mail box.  
The broken line showing of the mounting post is for illustrative purposes only and forms no part of the claimed design.

**1 Claim, 3 Drawing Sheets**



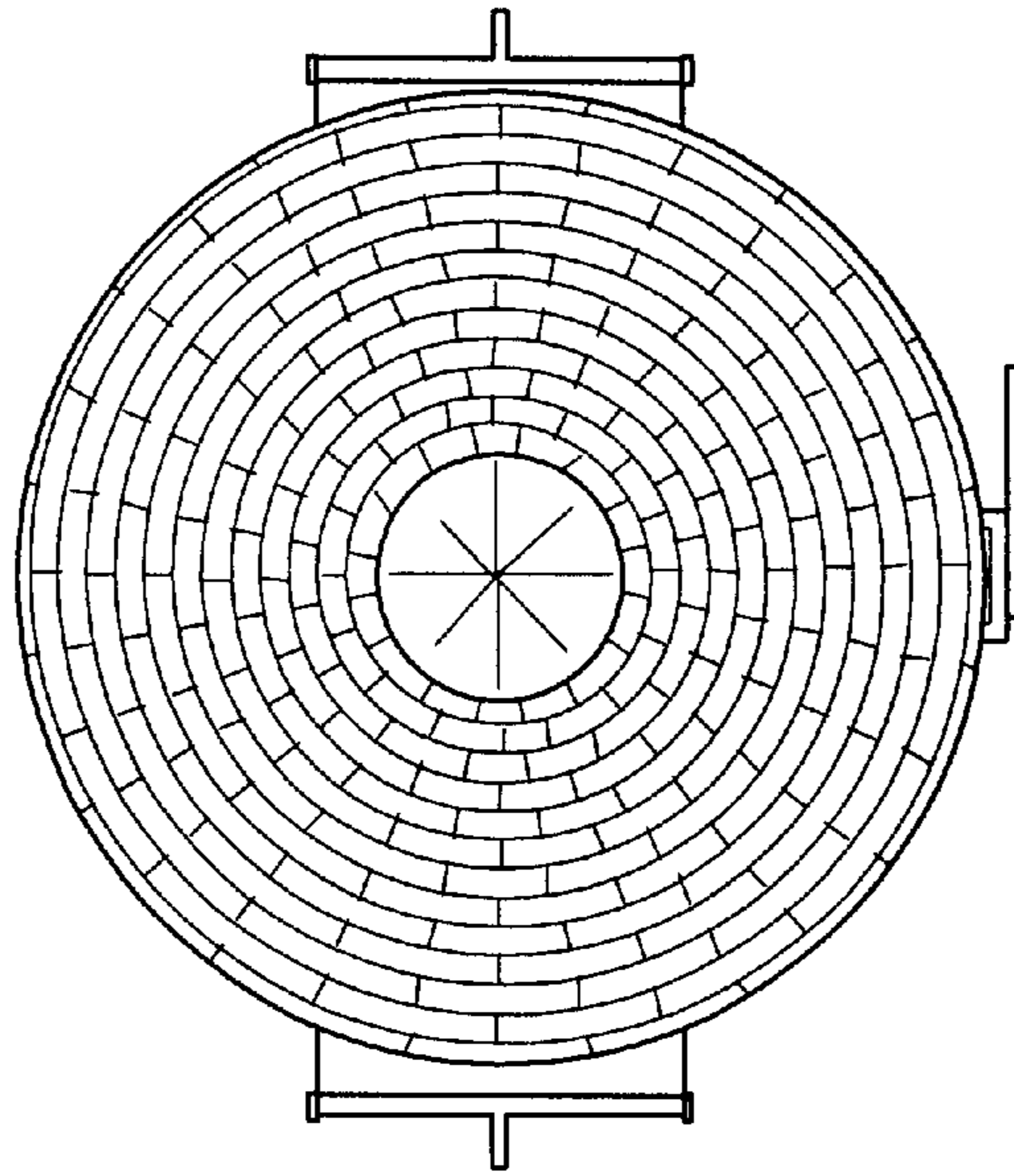


FIG 1

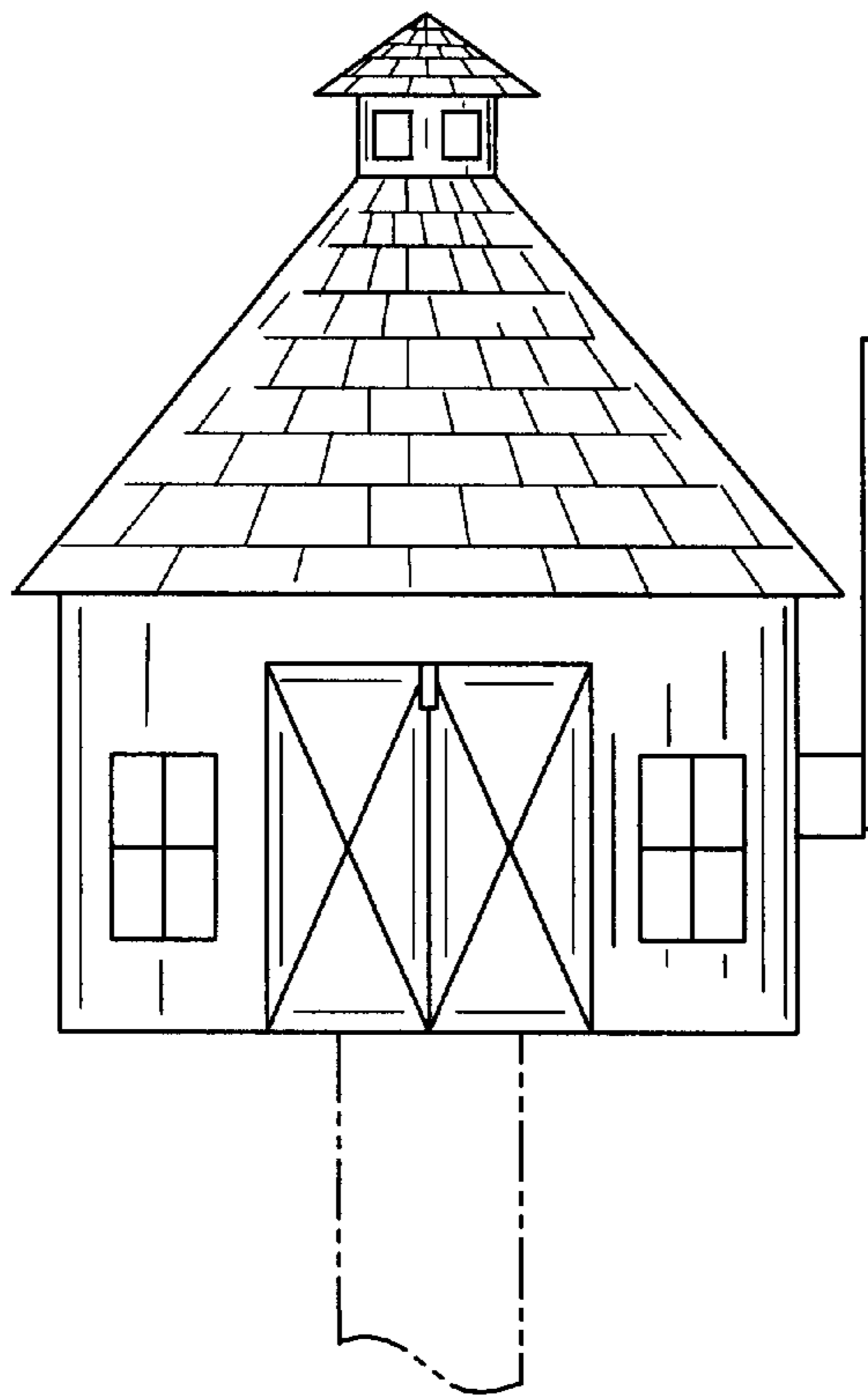


FIG 2

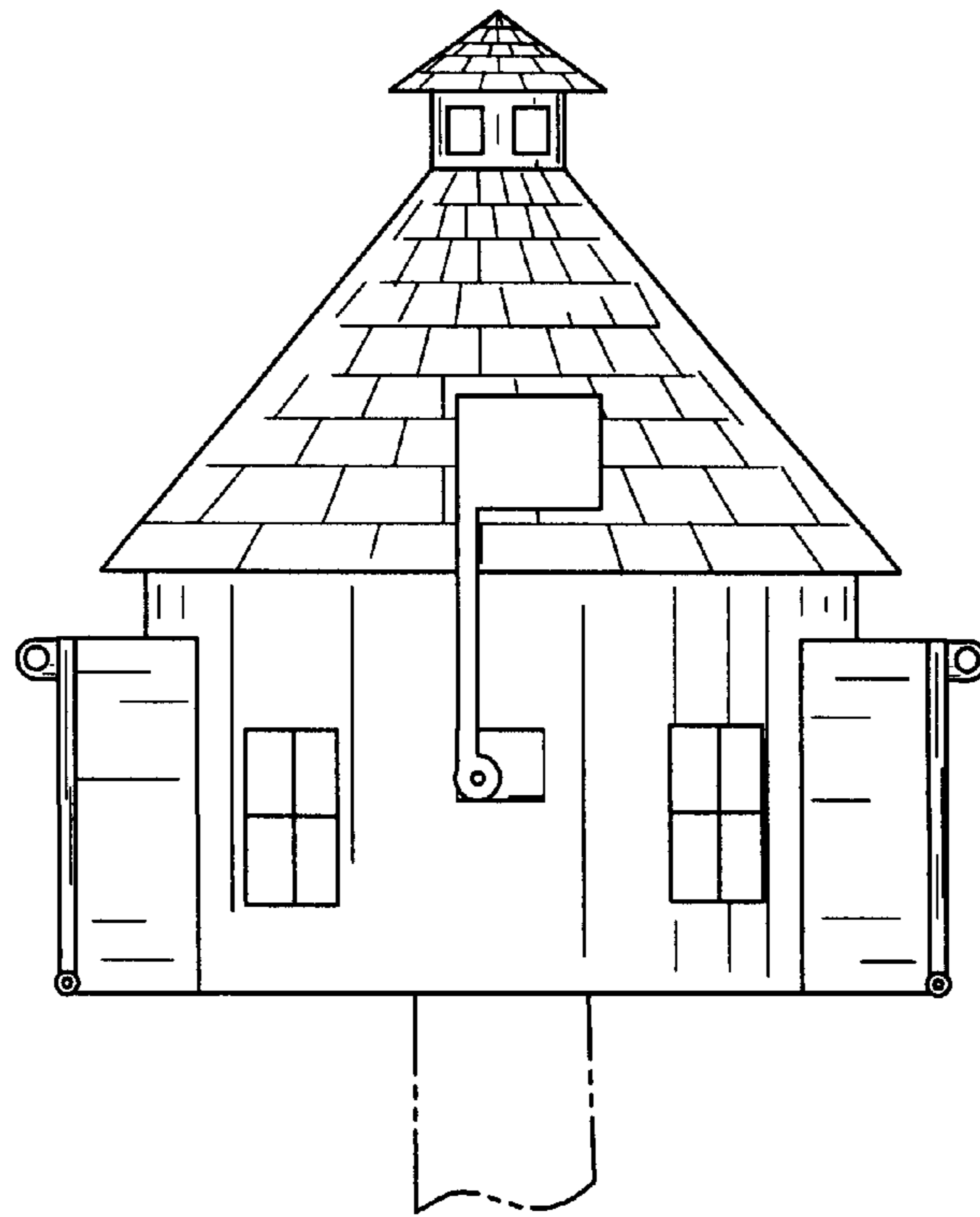


FIG 3

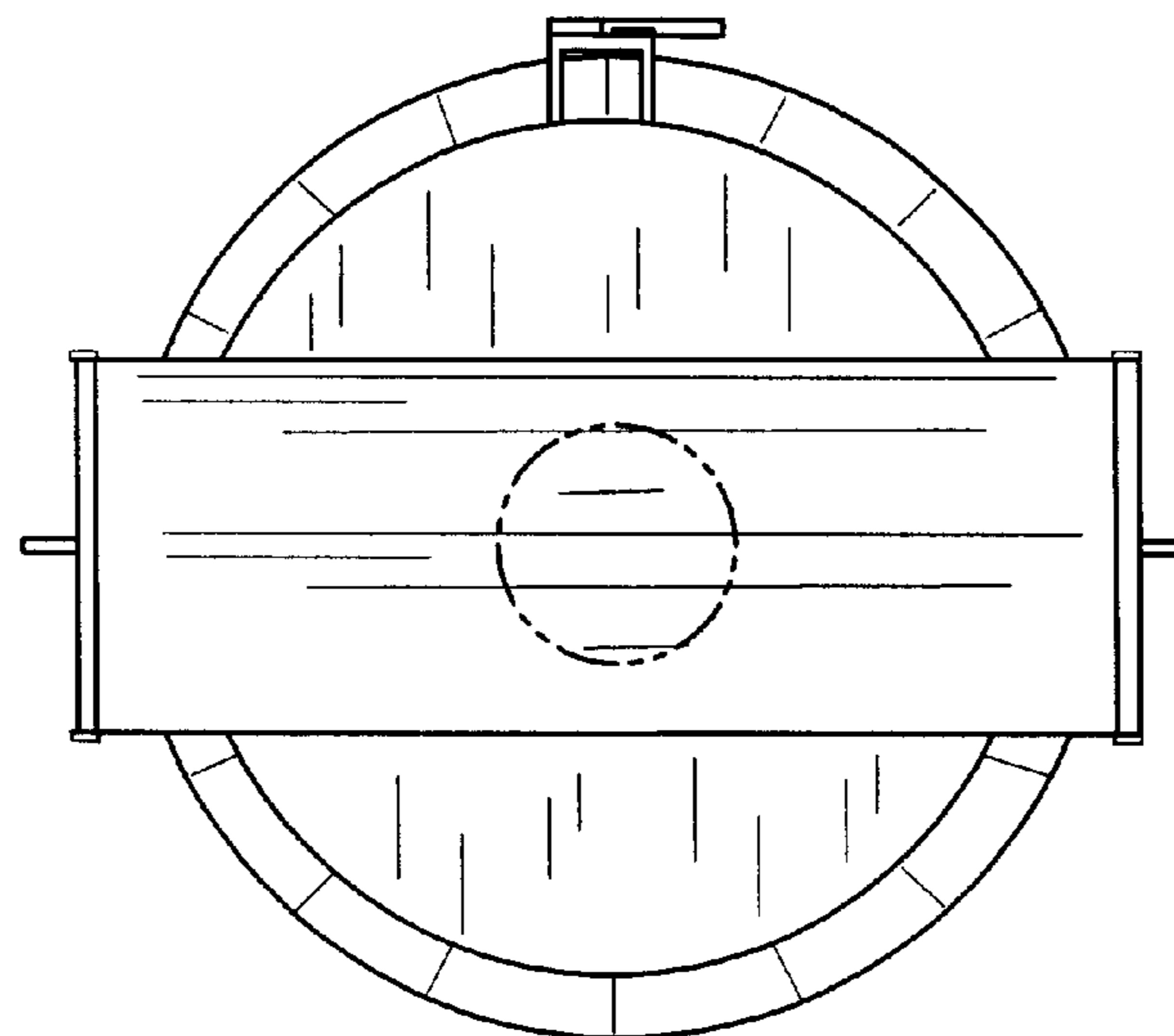


FIG 4

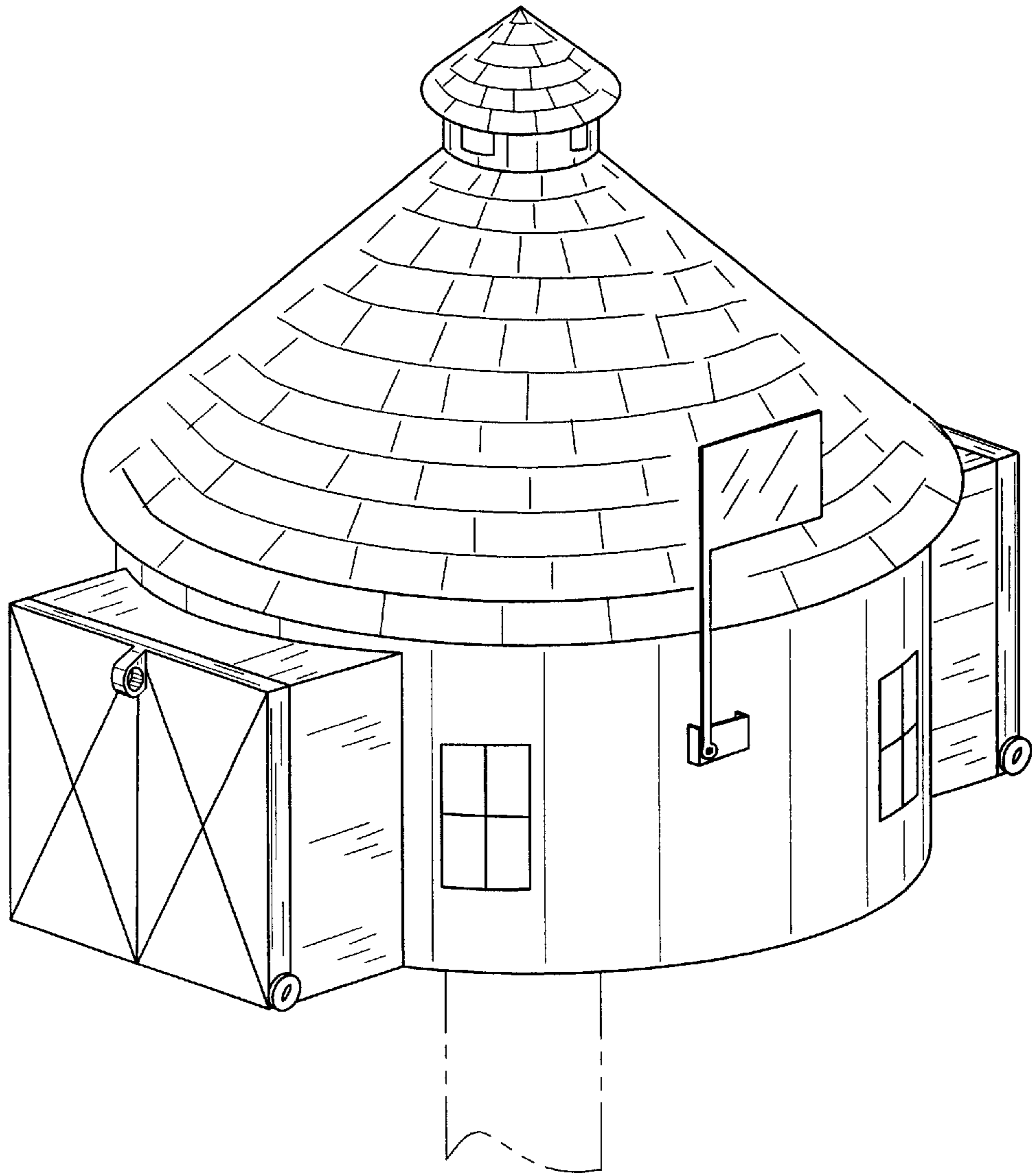


FIG 5