



US00D515262S

(12) **United States Design Patent** (10) **Patent No.:** **US D515,262 S**  
**Hay** (45) **Date of Patent:** **\*\* Feb. 14, 2006**

(54) **CLEANING IMPLEMENT**

(75) **Inventor:** **Christopher James Mccaughan Hay,**  
**Hong Kong (CN)**

(73) **Assignee:** **Hayco Manufacturing Limited,** Hong  
**Kong (CN)**

(\*\*) **Term:** **14 Years**

(21) **Appl. No.:** **29/209,156**

(22) **Filed:** **Jul. 13, 2004**

(51) **LOC (8) Cl.** ..... **04-01**

(52) **U.S. Cl.** ..... **D32/41**

(58) **Field of Classification Search** ..... D32/40-42,  
D32/46, 49; D8/45; 15/117, 121, 236.01,  
15/236.02, 245, 245.1, 143.1; 16/110.1, 430,  
16/431; 30/169, 171

See application file for complete search history.

(56) **References Cited**

**U.S. PATENT DOCUMENTS**

395,267 A \* 12/1888 Cooke ..... 15/245  
2,721,346 A \* 10/1955 Mora ..... 15/236.02 X  
D313,295 S \* 12/1990 Maertens ..... D32/42  
5,809,605 A \* 9/1998 Gringer ..... 15/121

\* cited by examiner

*Primary Examiner*—Alan P. Douglas

*Assistant Examiner*—Lavone D. Tabor

(74) *Attorney, Agent, or Firm*—Buchanan Ingersoll PC;  
Burns Doane Swecker & Mathis

(57) **CLAIM**

The ornamental design for a “cleaning implement,” as shown and described.

**DESCRIPTION**

FIG. 1 is a perspective view showing a first embodiment of a “cleaning implement” incorporating the design;

FIG. 2 is a top view thereof;

FIG. 3 is a bottom view thereof;

FIG. 4 is a side view thereof;

FIG. 5 is another side view thereof;

FIG. 6 is a front view thereof;

FIG. 7 is a rear view thereof;

FIG. 8 is a perspective view showing a second embodiment of a “cleaning implement” incorporating the design;

FIG. 9 is a top view of the cleaning implement shown in FIG. 8;

FIG. 10 is a bottom view of the cleaning implement shown in FIG. 8;

FIG. 11 is a side view of the cleaning implement shown in FIG. 8;

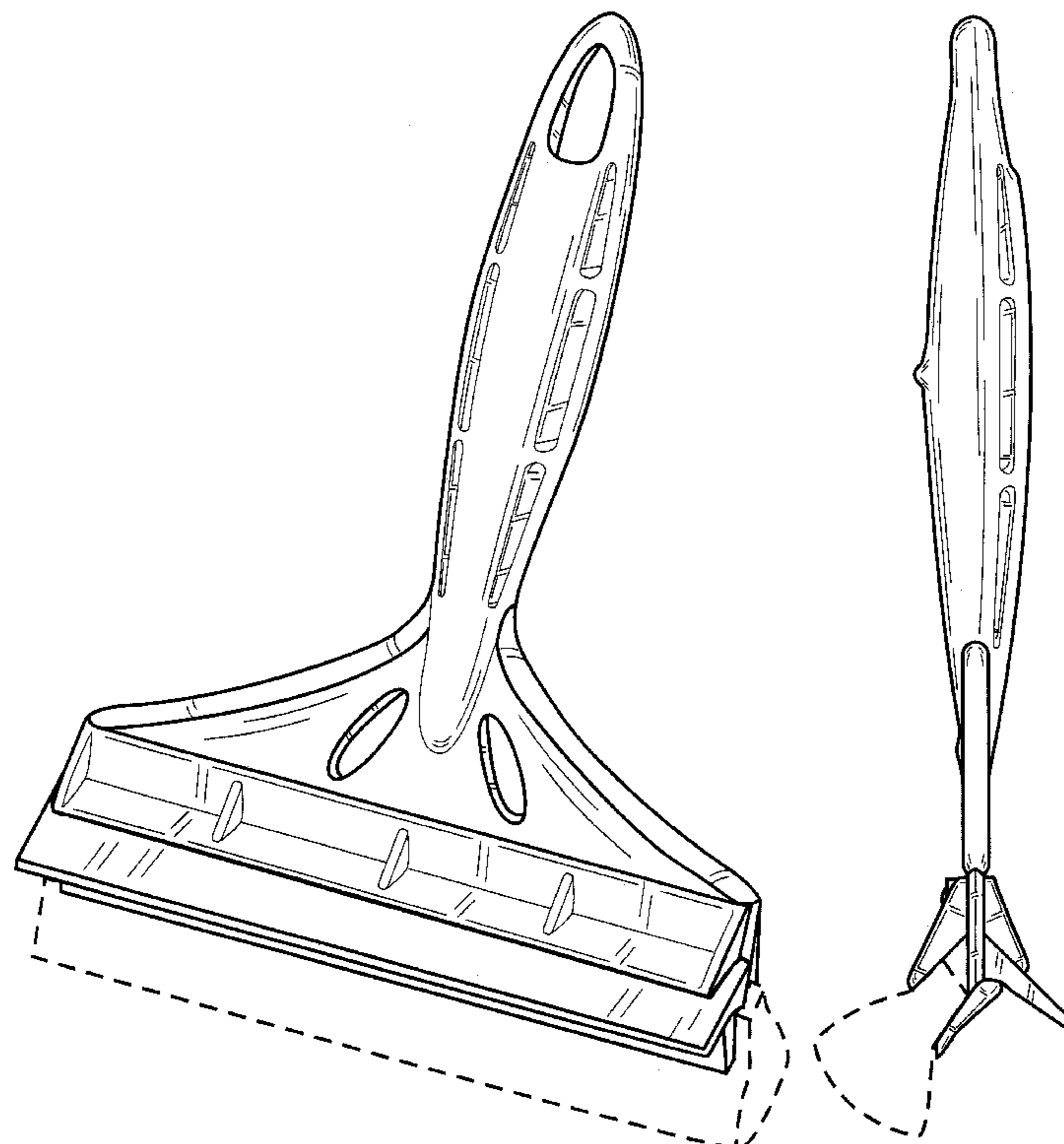
FIG. 12 is another side view of the cleaning implement shown in FIG. 8;

FIG. 13 is a front view of the cleaning implement shown in FIG. 8; and,

FIG. 14 is a rear view of the cleaning implement shown in FIG. 8.

The part of the design shown in phantom lines depicts an environment of the design but forms no part of the design. The dotted or darkened area on the cleaning implement in FIGS. 8 to 14 illustrates a different surface pattern or ornament in that area.

**1 Claim, 14 Drawing Sheets**



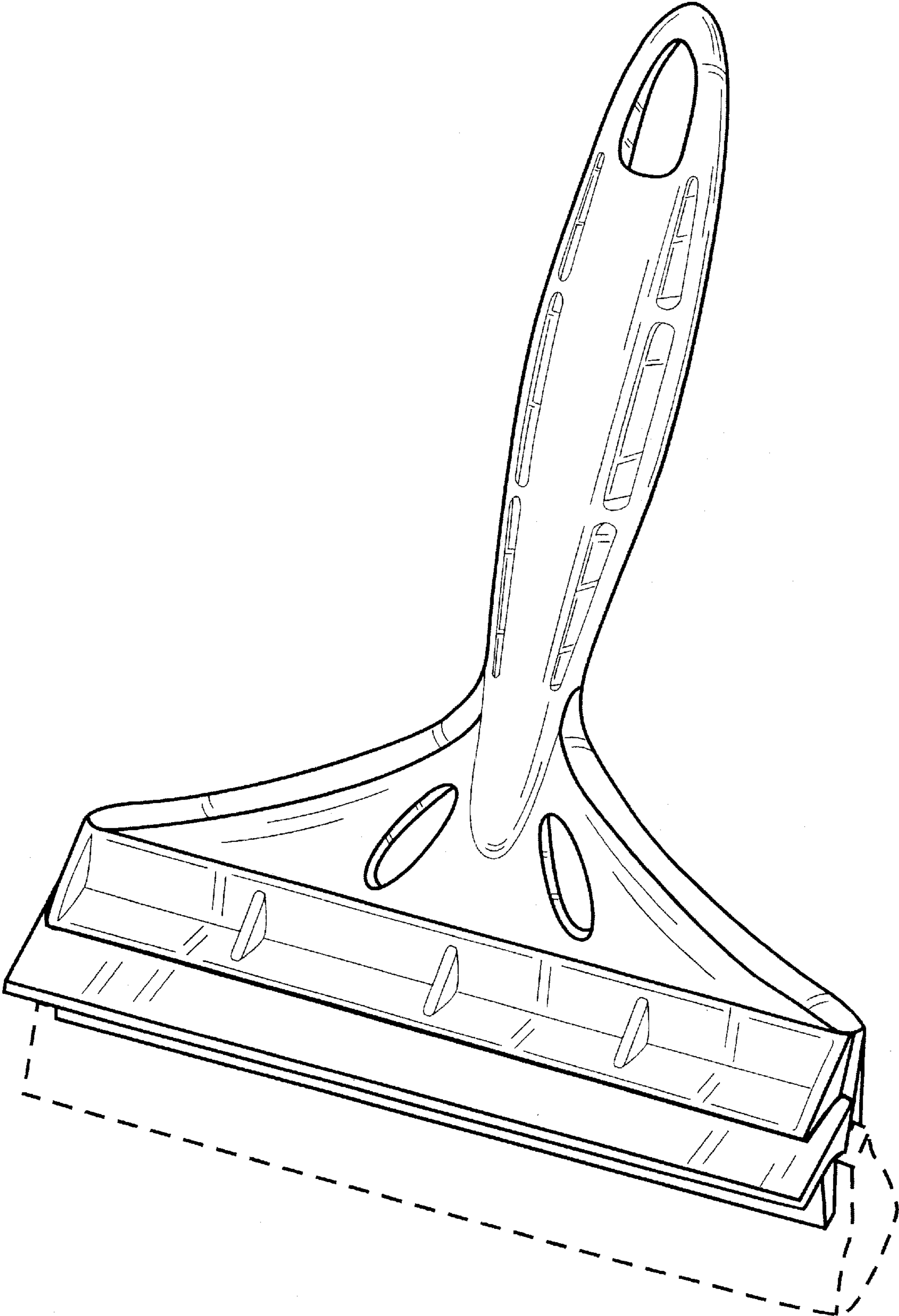


FIG. 1

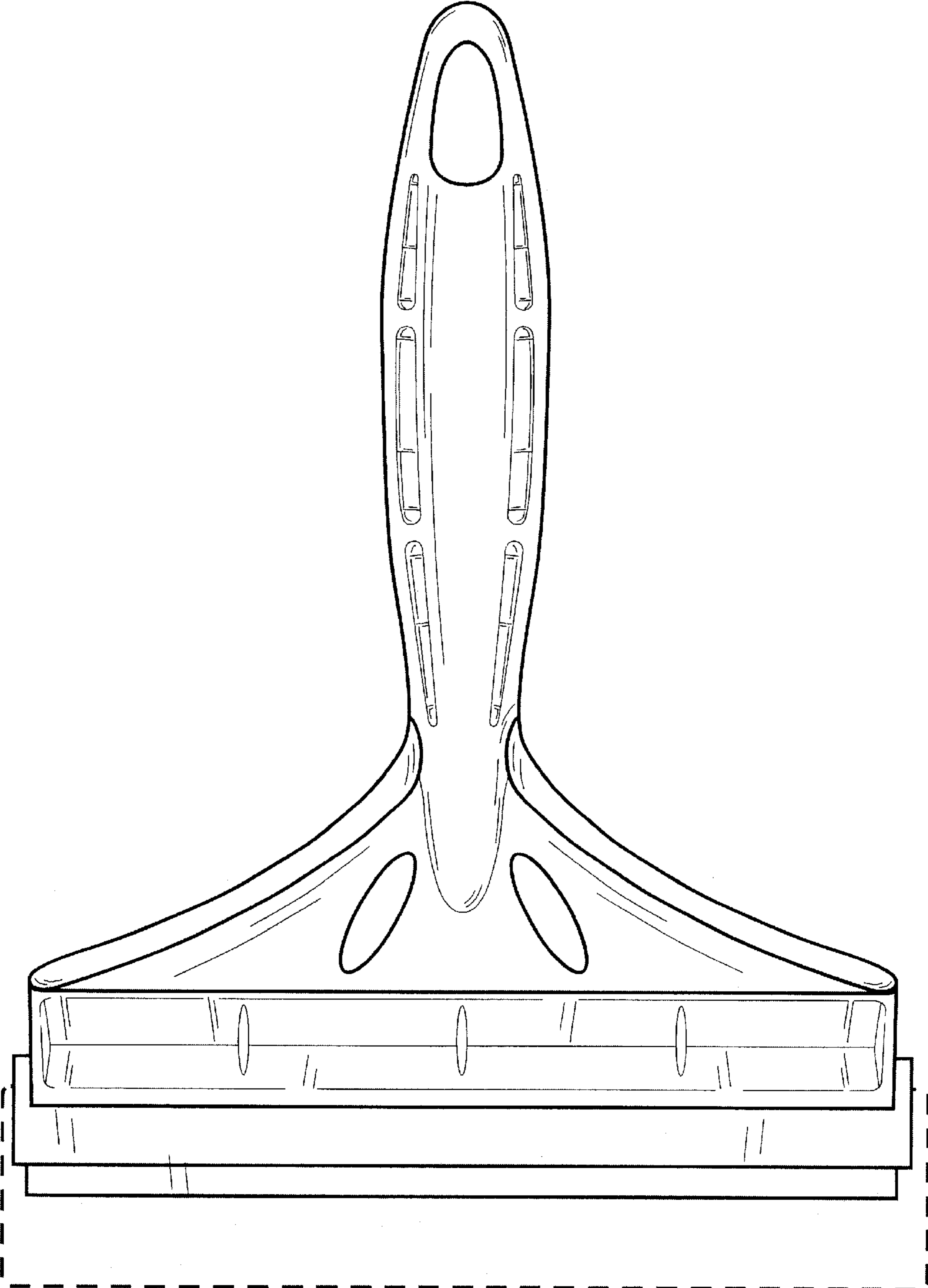


FIG. 2

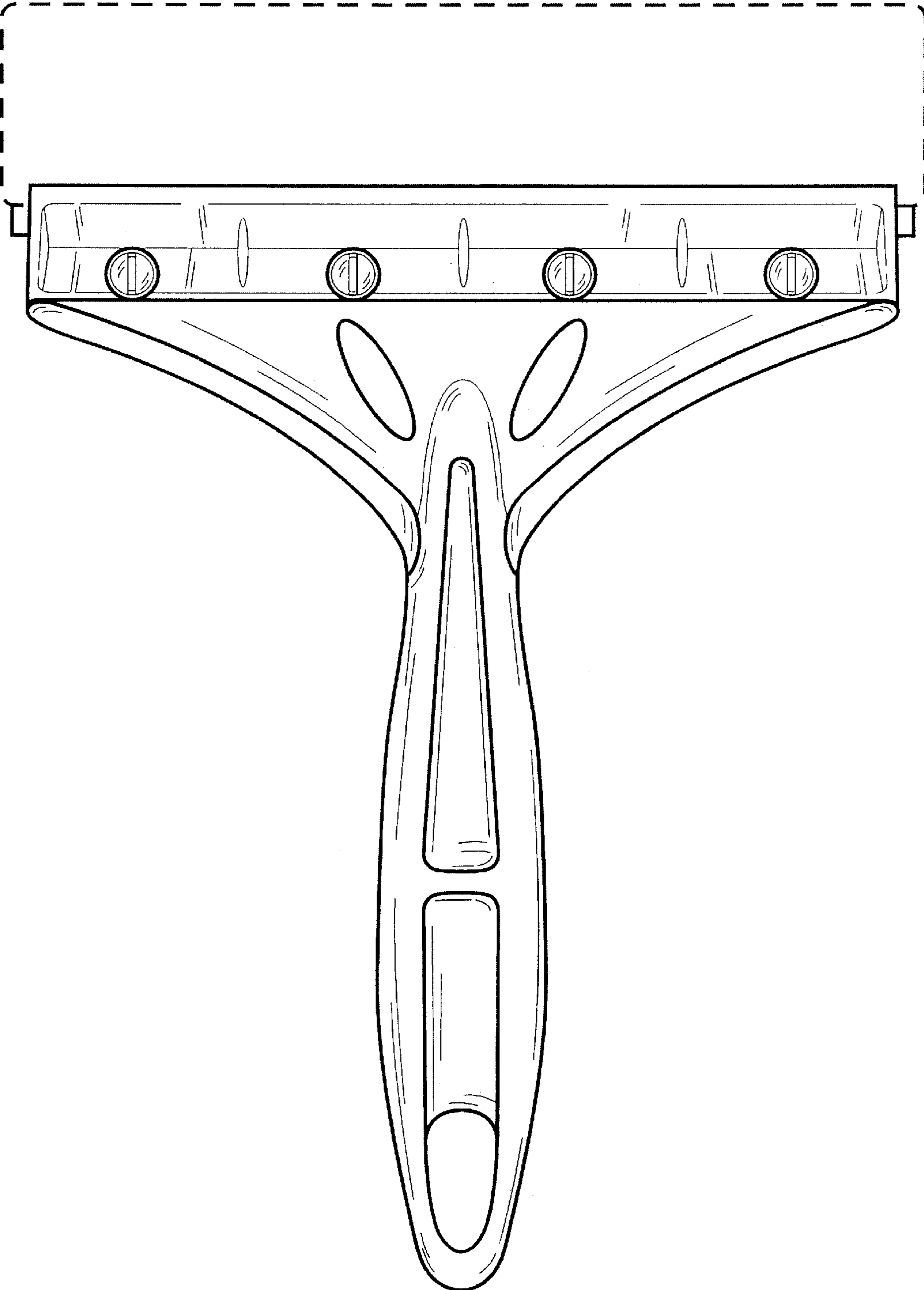


FIG. 3

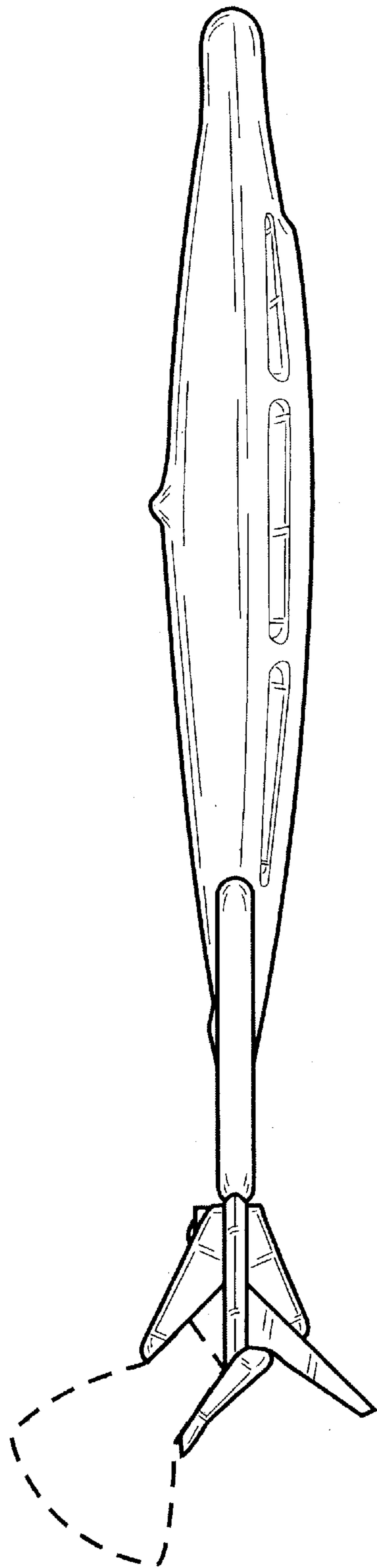


FIG. 4

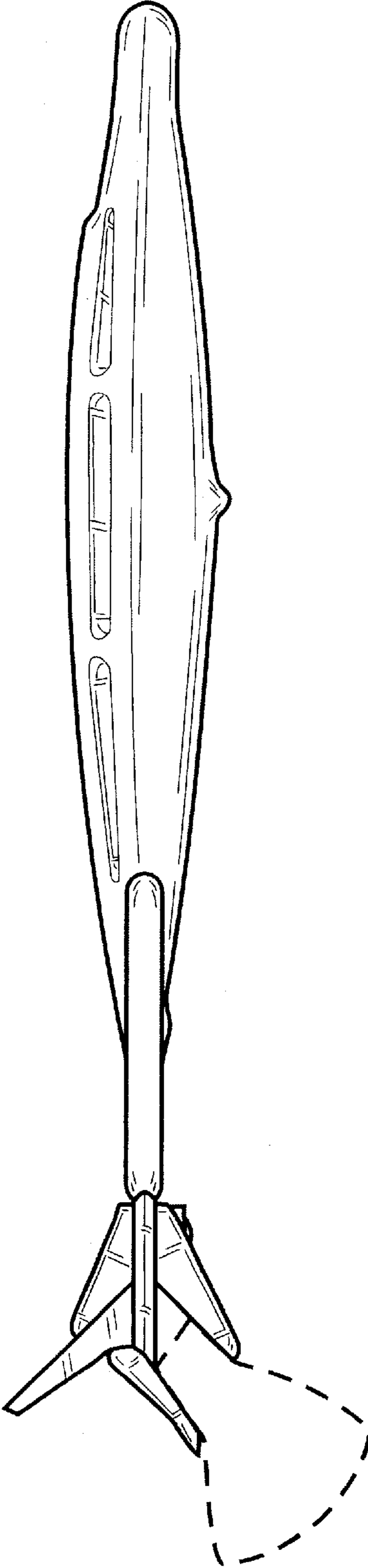


FIG. 5

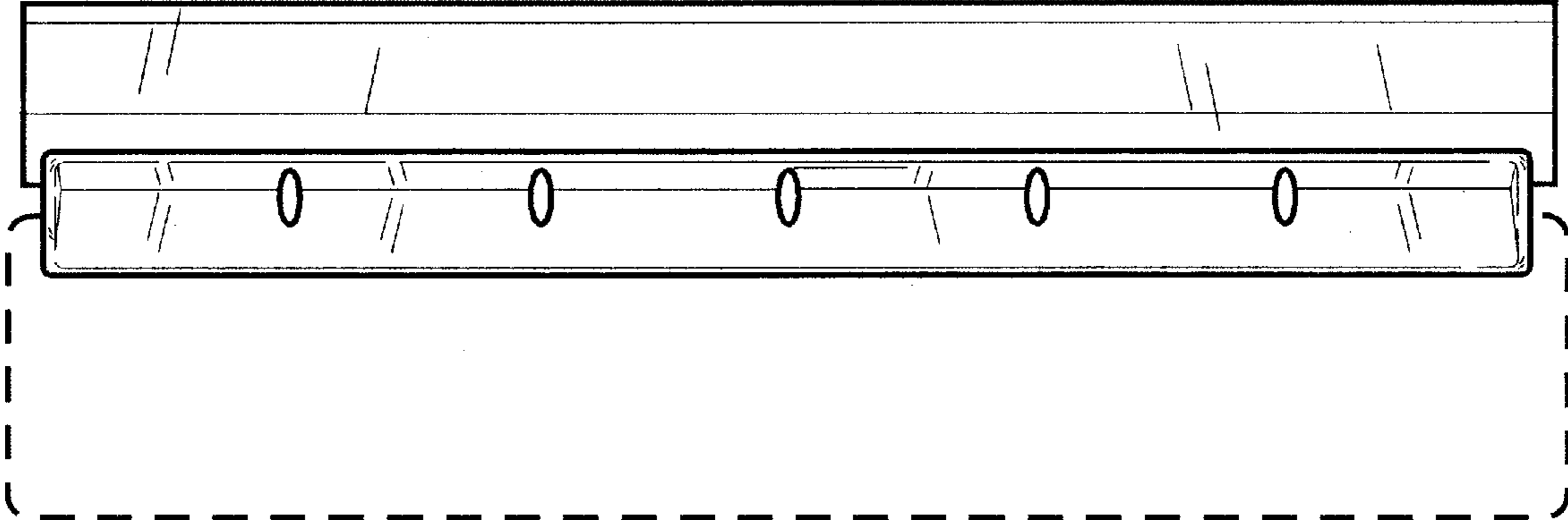


FIG. 6

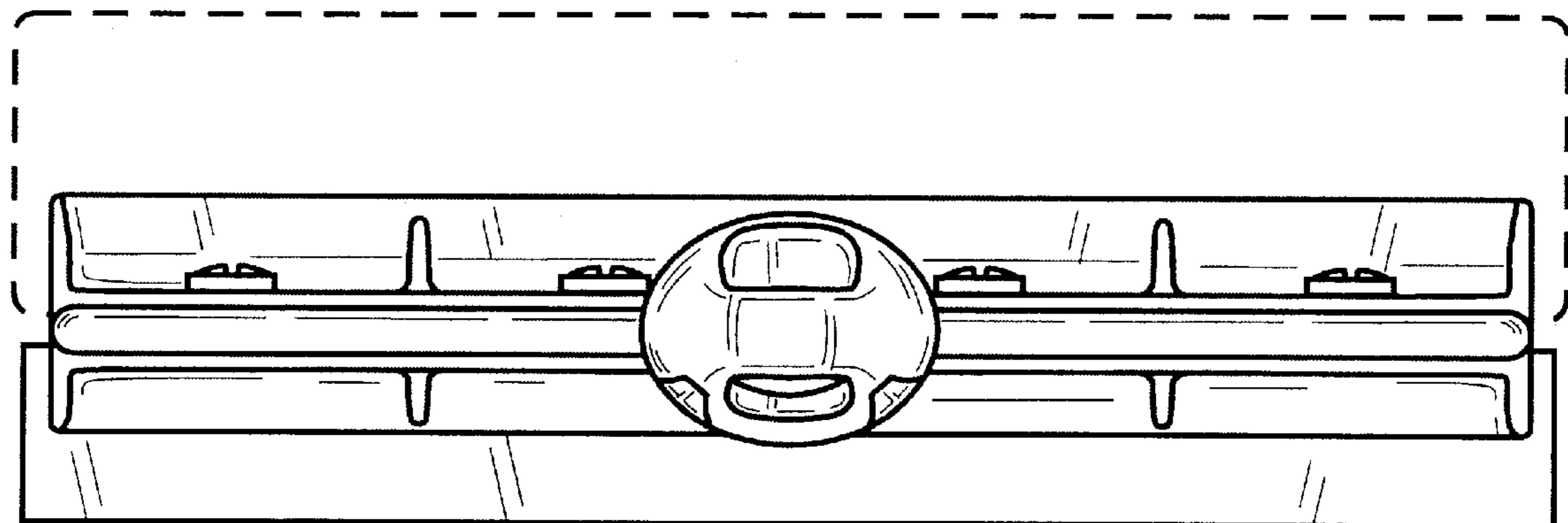


FIG. 7



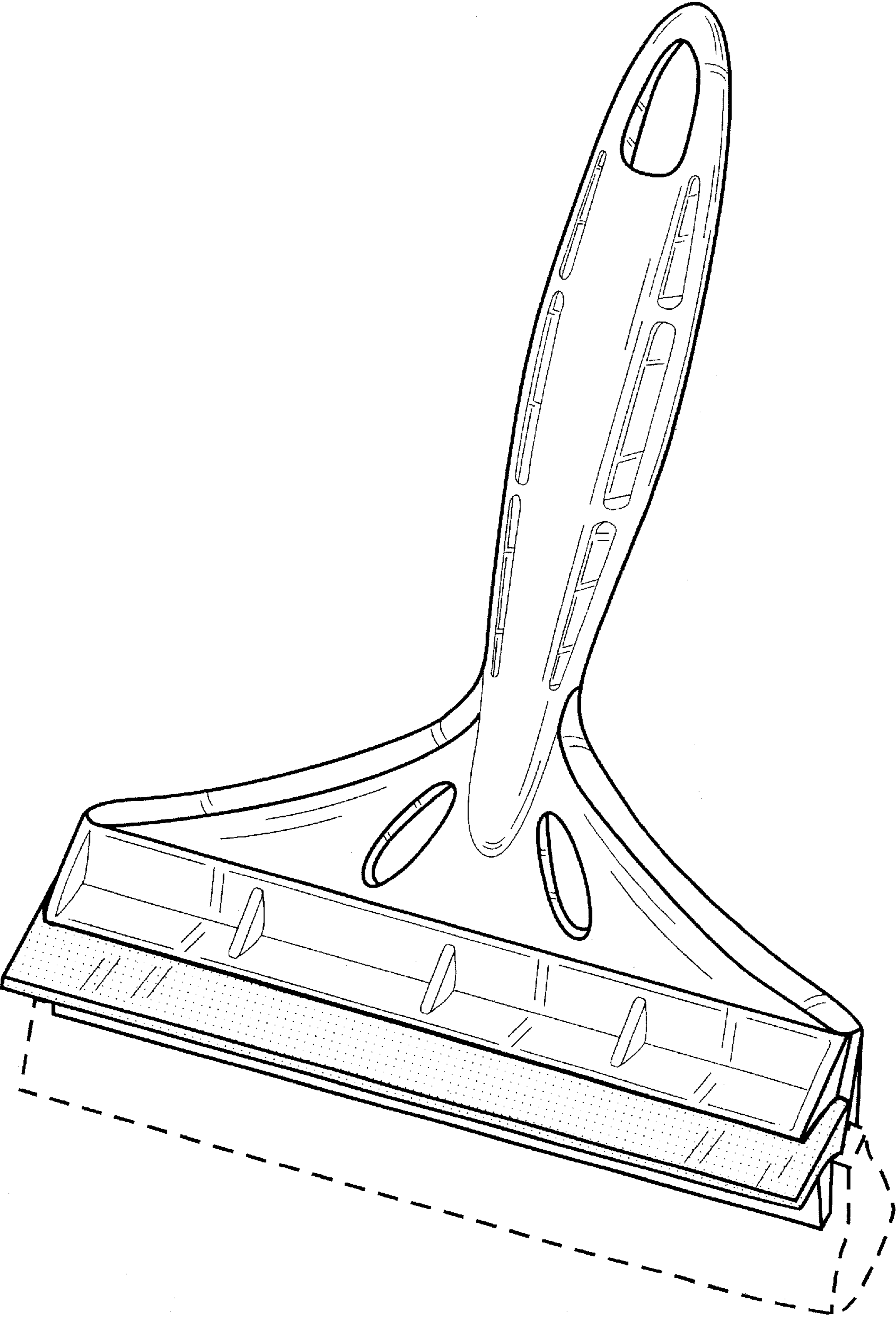


FIG. 8

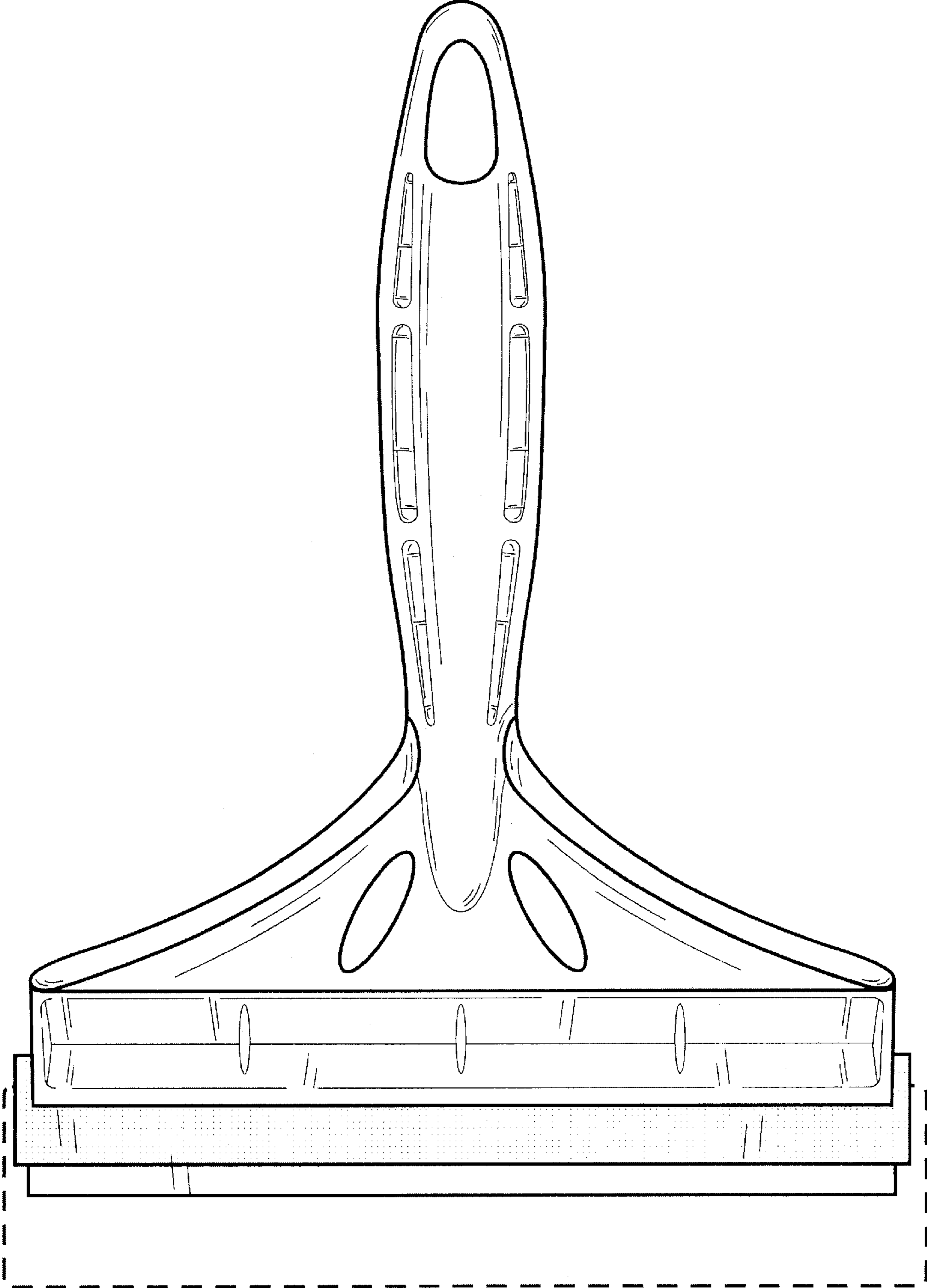


FIG. 9

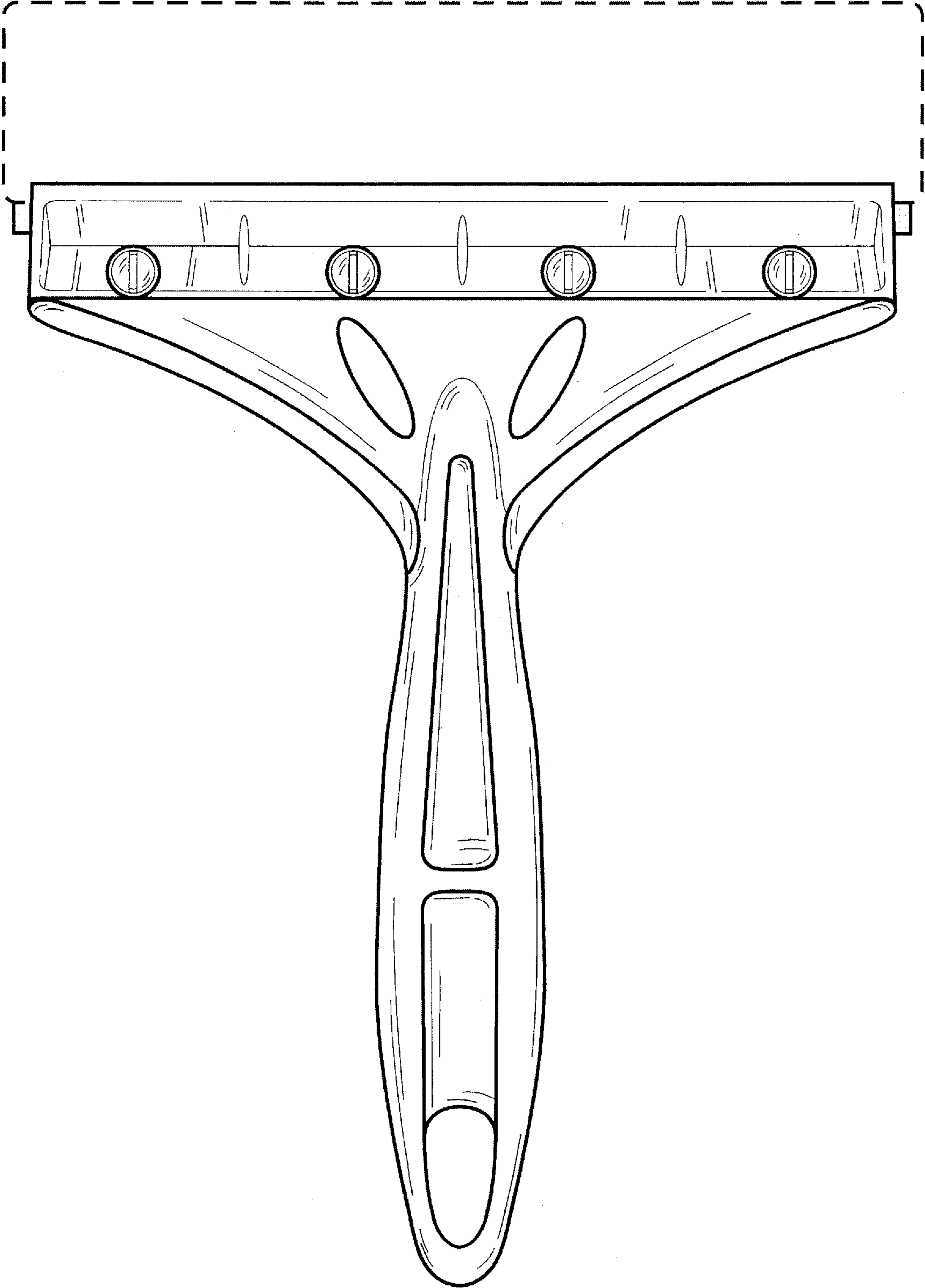


FIG. 10

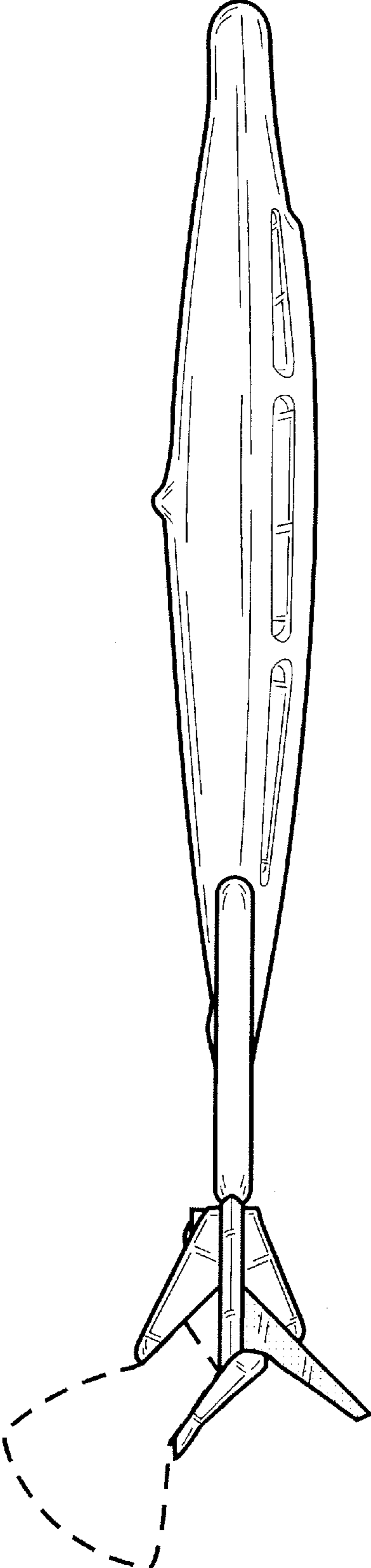


FIG. 11

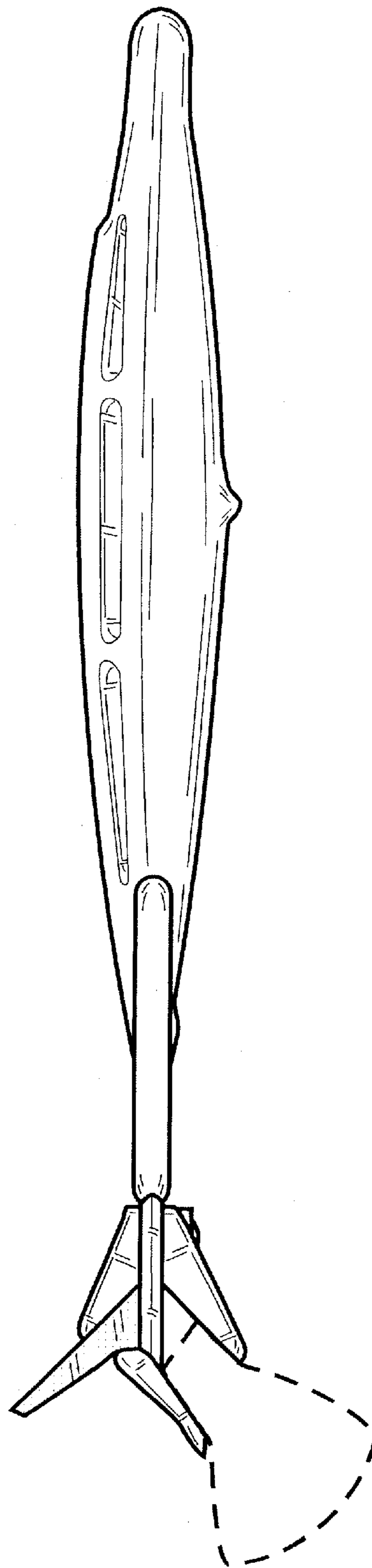


FIG. 12

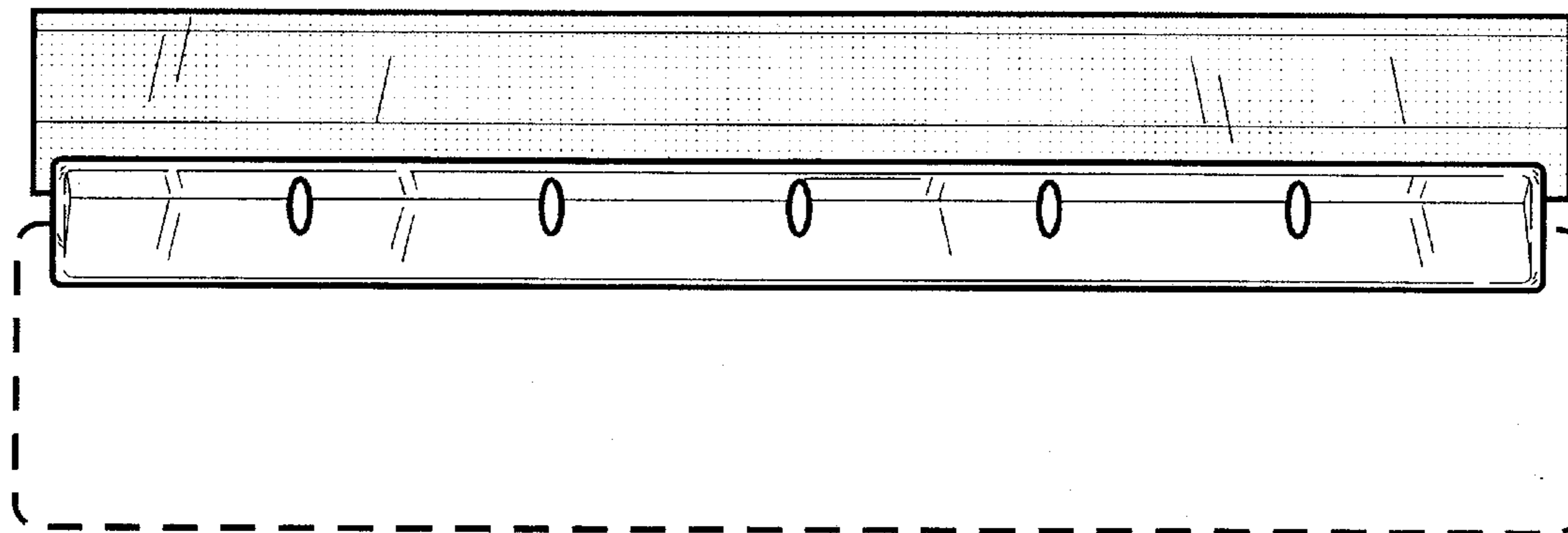


FIG. 13

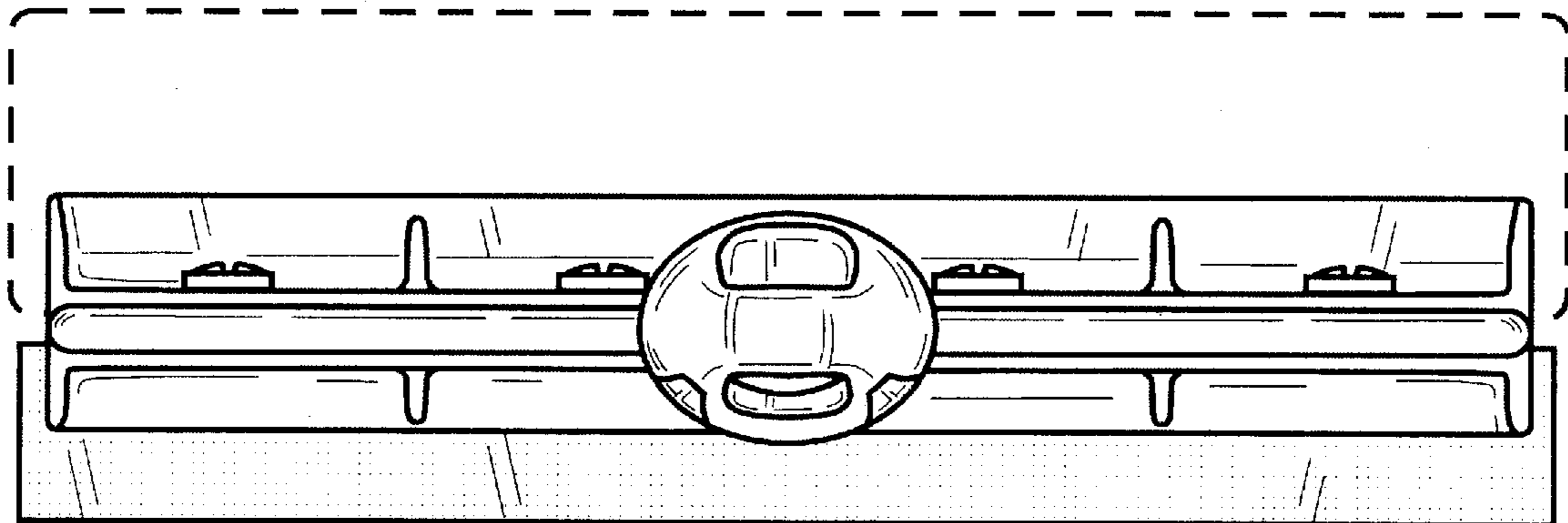


FIG. 14