



US00D515258S

(12) **United States Design Patent**  
**Robson**

(10) **Patent No.:** **US D515,258 S**  
(45) **Date of Patent:** **\*\* Feb. 14, 2006**

(54) **HAND-HELD VACUUM CLEANER**

(75) Inventor: **Nigel Robson**, Gateshead (GB)

(73) Assignee: **Black & Decker Inc.**, Newark, DE (US)

(\*\*) Term: **14 Years**

(21) Appl. No.: **29/194,408**

(22) Filed: **Nov. 24, 2003**

(30) **Foreign Application Priority Data**

May 30, 2003 (GB) ..... 3012938

(51) **LOC (8) Cl.** ..... **15-05**

(52) **U.S. Cl.** ..... **D32/18**

(58) **Field of Classification Search** ..... D32/17-18,  
D32/31; 15/344, 329, 320-322, 324, 339;  
68/222, 5 A; 362/91; 122/379; 134/198; 392/403-405  
See application file for complete search history.

(56) **References Cited**

**U.S. PATENT DOCUMENTS**

6,108,864 A \* 8/2000 Thomas et al. .... 15/350  
D435,707 S \* 12/2000 Leung ..... D32/18  
D441,926 S \* 5/2001 Stratford ..... D32/18

D448,894 S \* 10/2001 Yuen ..... D32/18  
6,360,399 B1 \* 3/2002 Vandenbelt et al. .... 15/324  
6,434,785 B1 \* 8/2002 Vandenbelt et al. .... 15/344  
6,493,903 B1 \* 12/2002 Super ..... 15/324

\* cited by examiner

*Primary Examiner*—Ruth McInroy

(74) *Attorney, Agent, or Firm*—John Yun; Bruce S. Shapiro; Wesley Muller

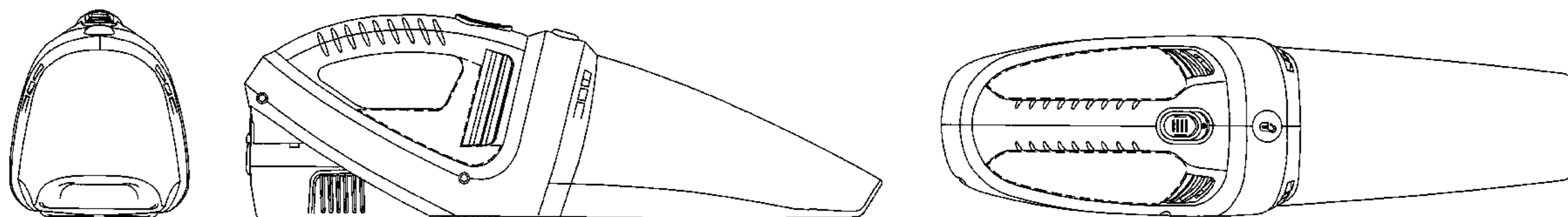
(57) **CLAIM**

The ornamental design for a hand-held vacuum cleaner, as shown and described.

**DESCRIPTION**

FIG. 1 is a front view of a hand-held vacuum cleaner showing my new design;  
FIG. 2 is a rear view thereof;  
FIG. 3 is a right side view thereof, the left side being a mirror image;  
FIG. 4 is a top plan view thereof;  
FIG. 5 is a bottom plan view thereof; and,  
FIG. 6 is a left side perspective view thereof.  
The areas outlined in broken lines in FIGS. 3, 4 and 6 form no part of the claimed design.

**1 Claim, 5 Drawing Sheets**



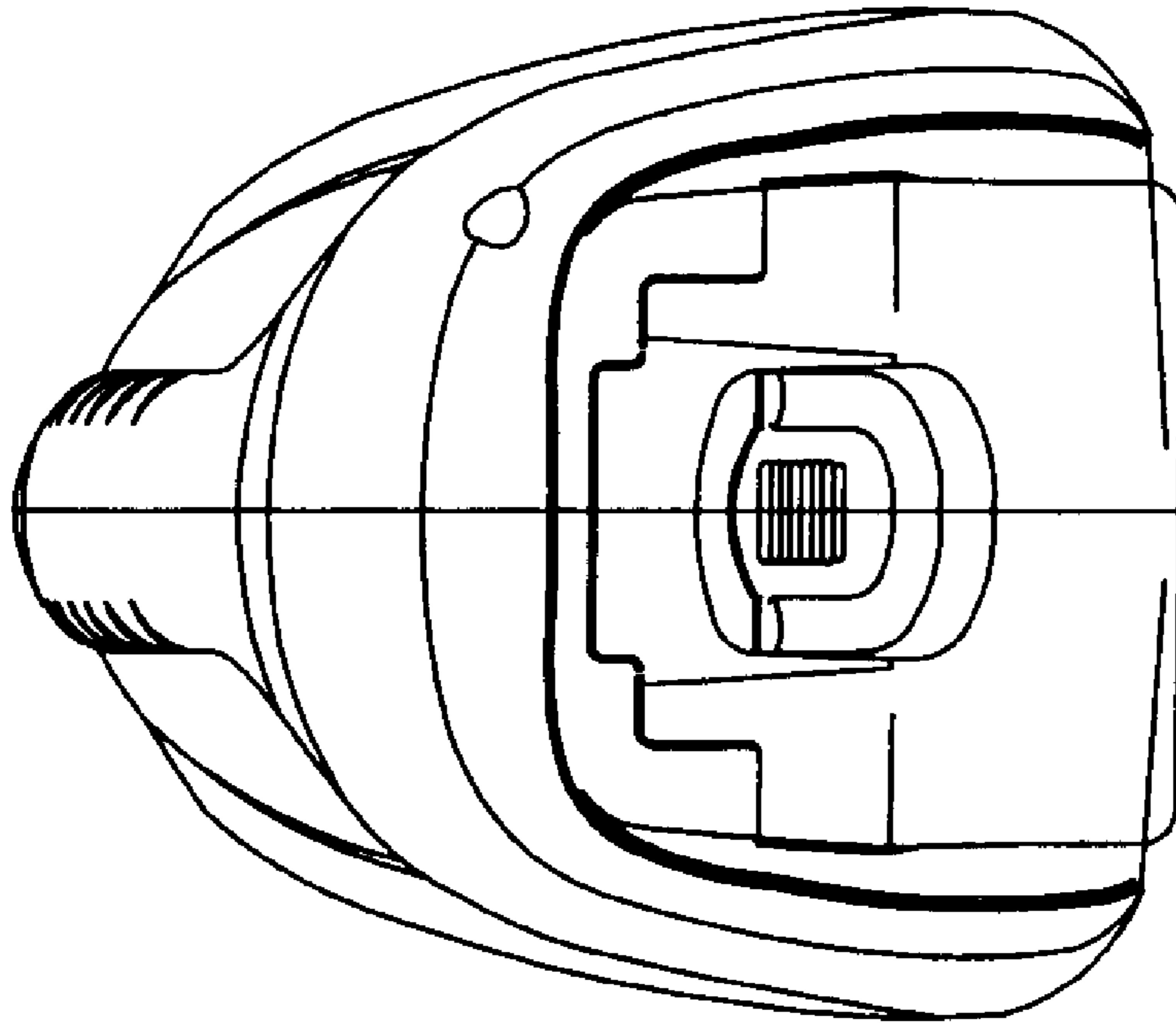


FIG. 2

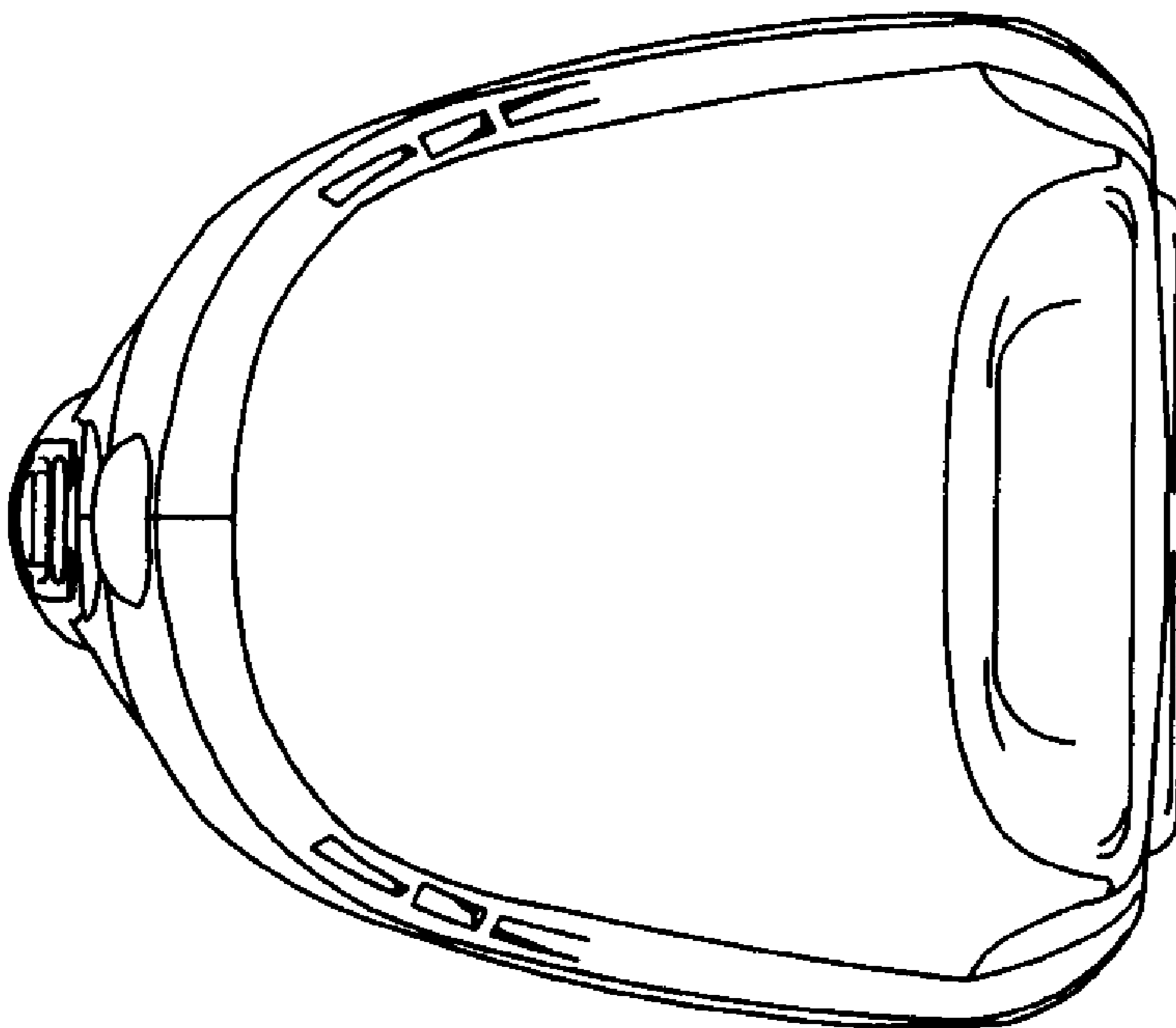


FIG. 1

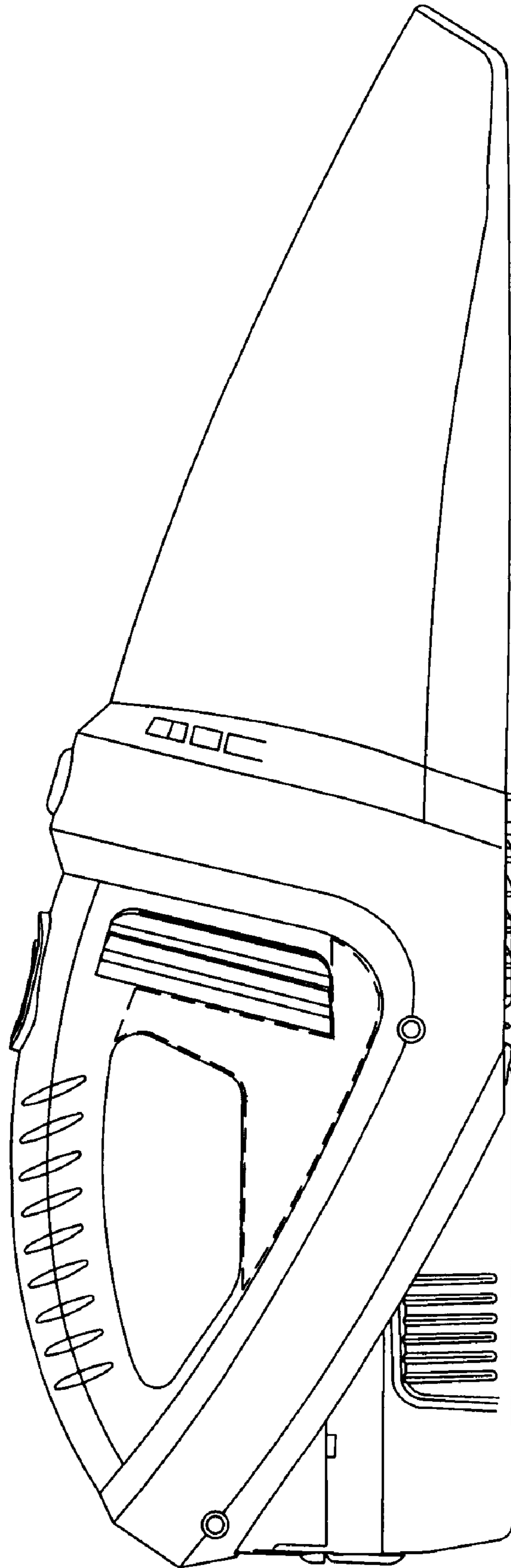


FIG.3

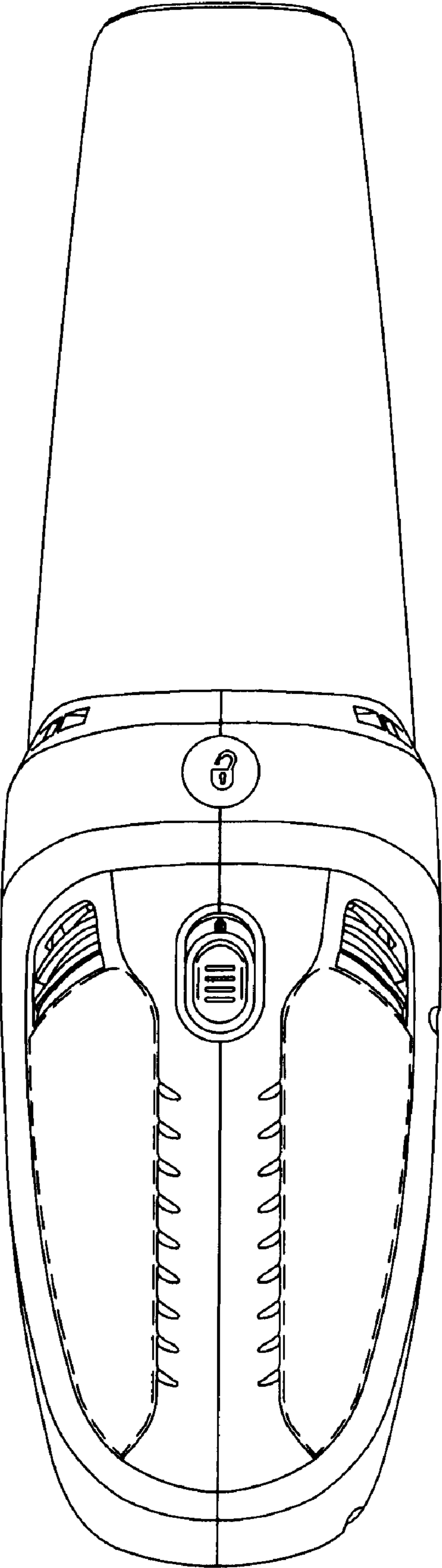


FIG.4

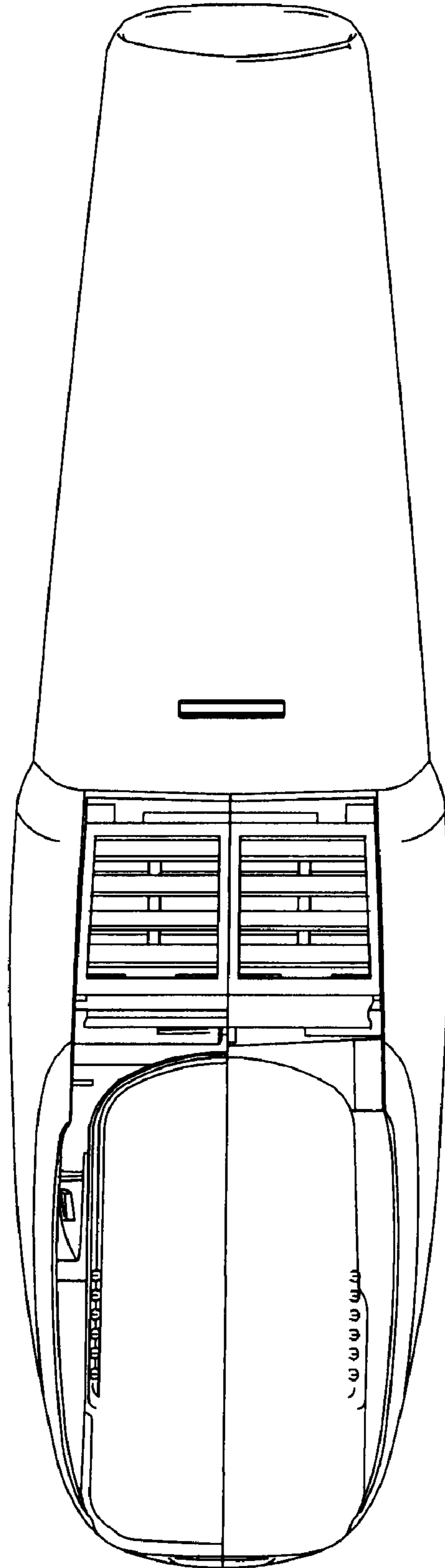


FIG.5

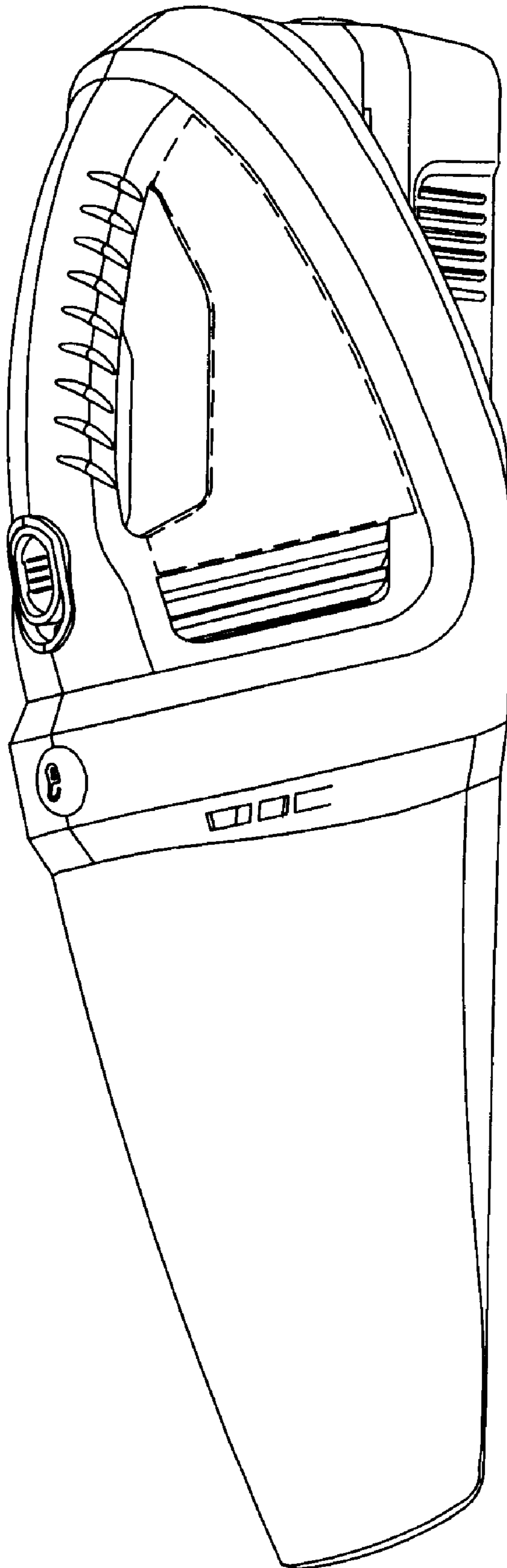


FIG.6