



US00D515255S

(12) **United States Design Patent**
Jeong

(10) **Patent No.:** **US D515,255 S**

(45) **Date of Patent:** **** Feb. 14, 2006**

(54) **DOOR FOR DISHWASHER**

D501,963 S * 2/2005 Kaczmarek D32/3

(75) Inventor: **Sang Moon Jeong**, Kyunggi-do (KR)

* cited by examiner

(73) Assignee: **LG Electronics Inc.**, Seoul (KR)

Primary Examiner—Robert A. Delehanty

(**) Term: **14 Years**

(74) *Attorney, Agent, or Firm*—Birch, Stewart, Kolasch & Birch, LLP

(21) Appl. No.: **29/200,949**

(57) **CLAIM**

(22) Filed: **Mar. 9, 2004**

I claim the ornamental design for door for dishwasher, as shown and described.

(30) **Foreign Application Priority Data**

Sep. 16, 2003 (KR) 30-2003-0026101

DESCRIPTION

(51) **LOC (8) Cl.** **15-05**

FIG. 1 is a perspective view of door for dishwasher showing the new design:

(52) **U.S. Cl.** **D32/3**

FIG. 2 is a front view thereof;

(58) **Field of Classification Search** D32/2-3,

FIG. 3 is a rear view thereof;

D32/28; D7/348-349, 405-406; 134/113,

FIG. 4 is a left-side view thereof;

134/201, 57 D, 57 DL, 58 D, 58 DL; 312/31,

FIG. 5 is a right-side view thereof;

312/204; 68/212

FIG. 6 is a top plan view thereof; and,

See application file for complete search history.

FIG. 7 is a bottom plan view thereof.

(56) **References Cited**

U.S. PATENT DOCUMENTS

D493,580 S * 7/2004 Ott et al. D32/3

1 Claim, 5 Drawing Sheets

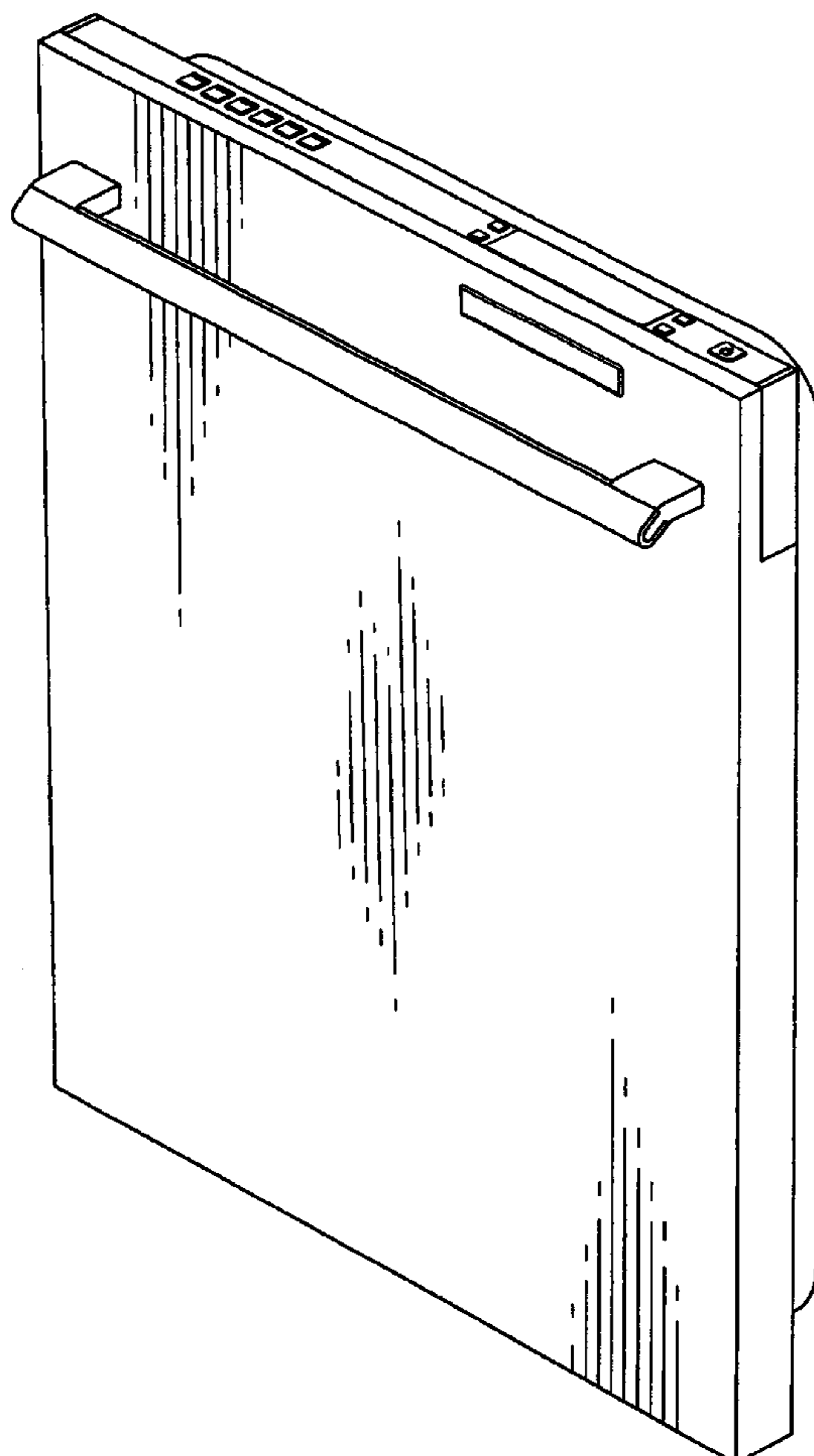


FIG. 1

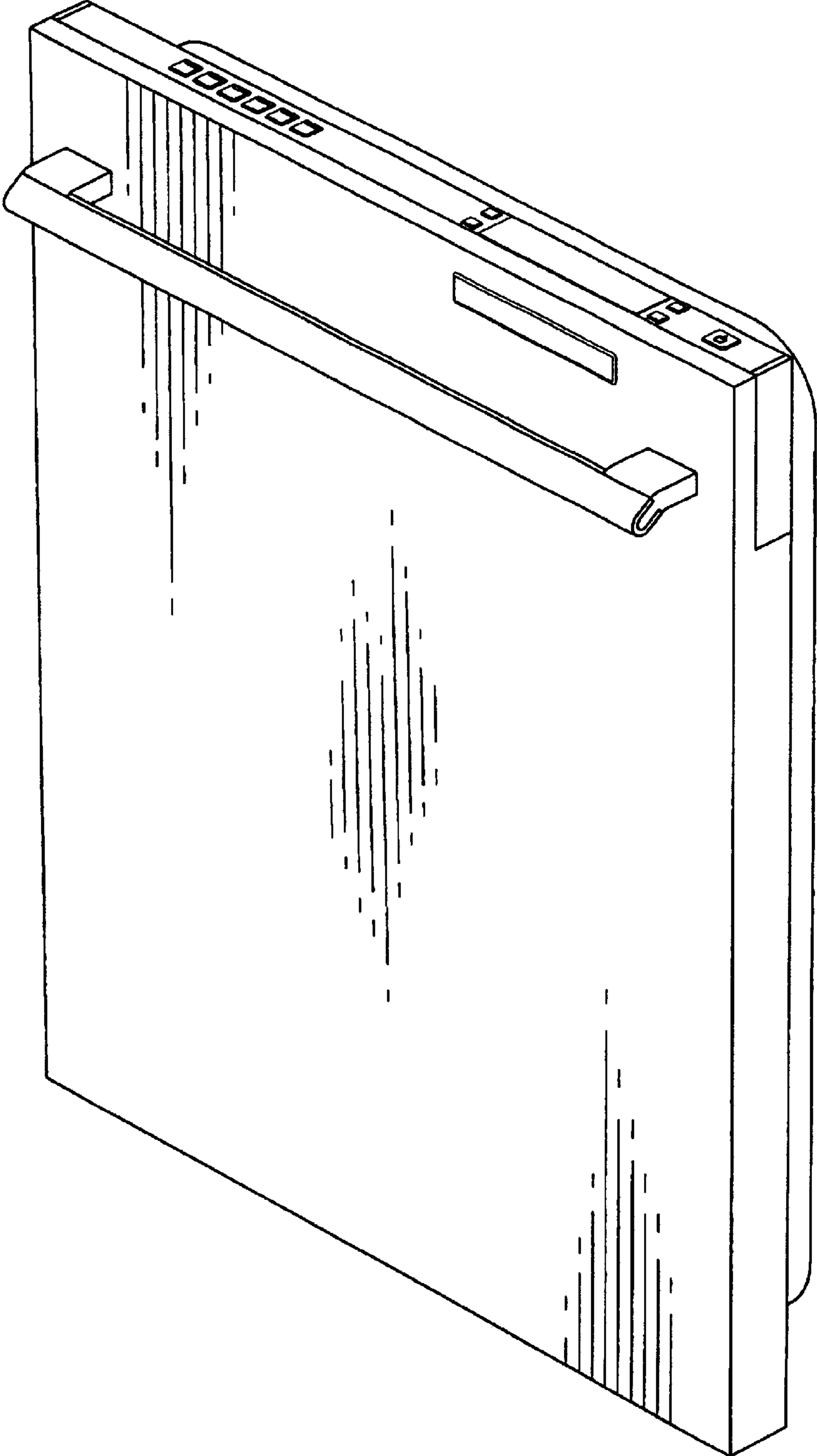


FIG. 2

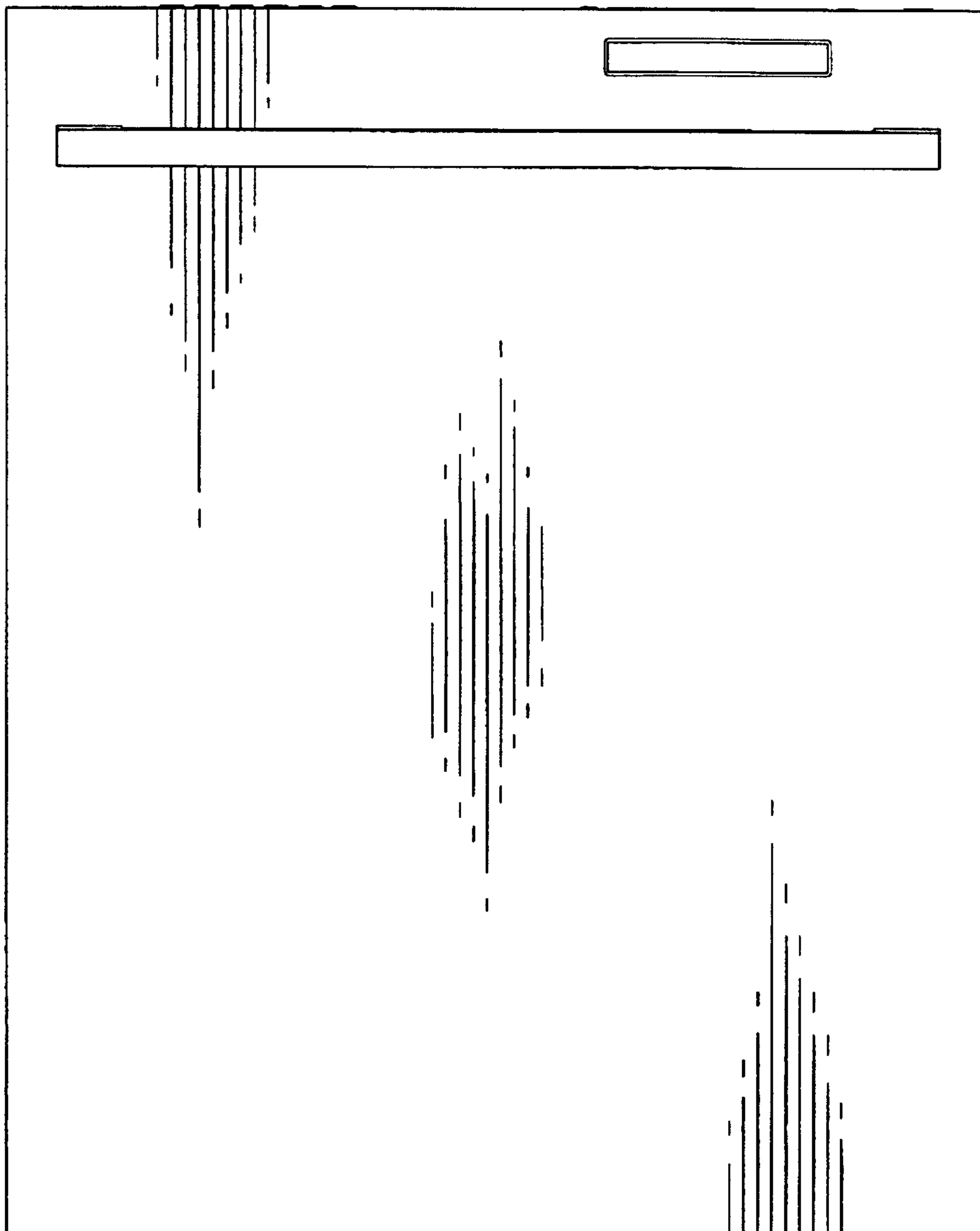


FIG. 3

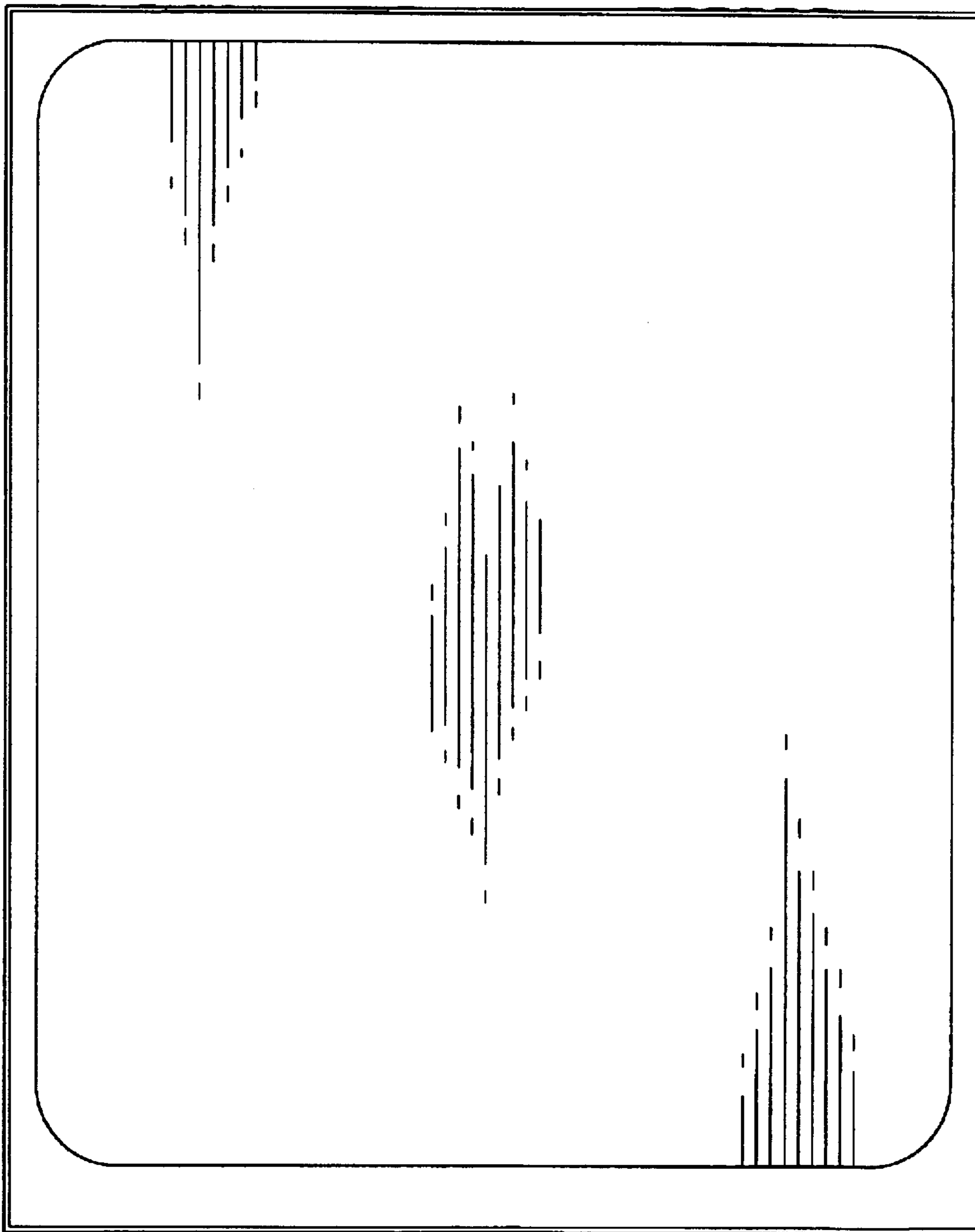


FIG. 4

FIG. 5

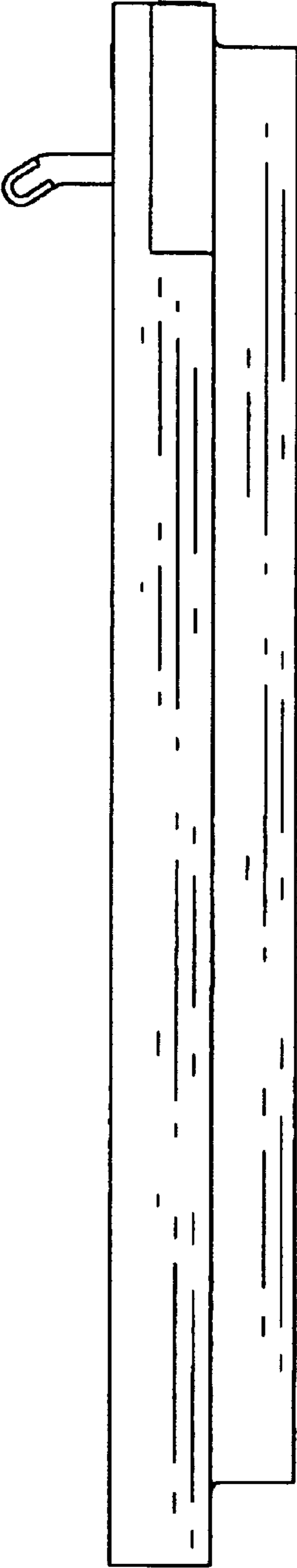
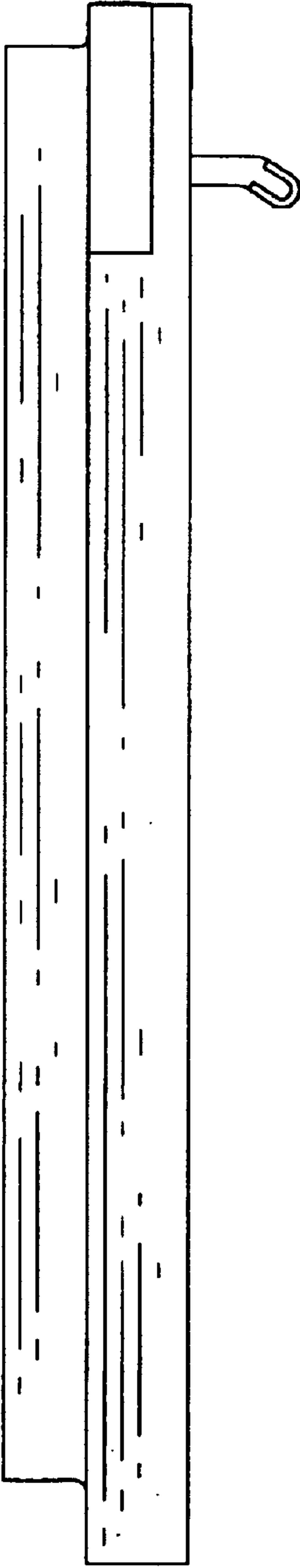


FIG. 6

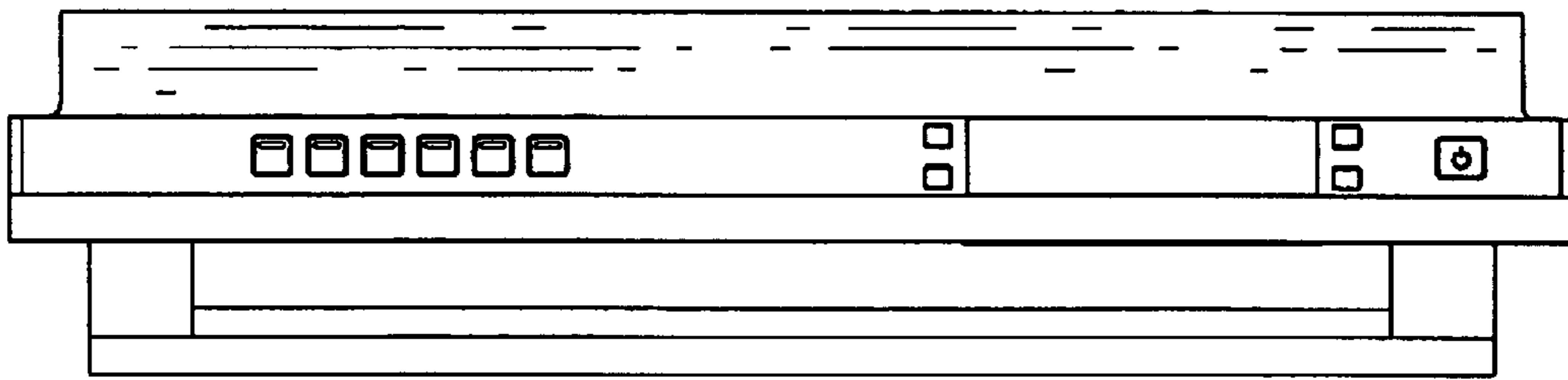


FIG. 7

