



US00D515254S

(12) **United States Design Patent**  
**Jäger**

(10) **Patent No.: US D515,254 S**

(45) **Date of Patent: \*\* Feb. 14, 2006**

(54) **CHEW TOY FOR ANIMALS**

(75) Inventor: **Claudius Jäger**, Boulder, CO (US)

(73) Assignee: **Artemis Rubber Technology Inc**,  
Longmont, CO (US)

(\*\*) Term: **14 Years**

(21) Appl. No.: **29/218,124**

(22) Filed: **Nov. 24, 2004**

**Related U.S. Application Data**

(62) Division of application No. 29/192,782, filed on Oct. 30, 2003, now Pat. No. Des. 501,961.

(51) **LOC (8) Cl.** ..... **30-99**

(52) **U.S. Cl.** ..... **D30/160; 30/99**

(58) **Field of Classification Search** ..... D30/160,  
D30/199; D21/398, 406, 465-467, 476, 478-479,  
D21/662, 681-682, 707, 711-713; D24/206-208,  
D24/211; 119/700, 702, 707-711; 132/248-249,  
132/268; 273/160; 446/85, 124, 227, 397;  
473/143, 281, 422, 571, 575-576, 580, 596,  
473/612, 614; 482/114; 601/118-120, 131,  
601/139

See application file for complete search history.

(56) **References Cited**

**U.S. PATENT DOCUMENTS**

3,105,457 A \* 10/1963 Krueger ..... 116/63 R  
3,231,925 A \* 2/1966 Conder ..... 401/268  
D206,120 S \* 11/1966 Johnson ..... D21/707  
3,645,059 A \* 2/1972 Grimm ..... 52/609

D301,161 S \* 5/1989 Dunse ..... D21/707  
D372,749 S \* 8/1996 Klundt ..... D21/707  
5,908,342 A \* 6/1999 Wolvin ..... 446/124  
5,941,527 A \* 8/1999 Selton ..... 273/276  
6,629,510 B1 \* 10/2003 Robkin ..... 119/707  
6,634,318 B1 \* 10/2003 Rucker ..... 119/709

**FOREIGN PATENT DOCUMENTS**

GB 2106194 \* 12/2001

**OTHER PUBLICATIONS**

Toys "R" Us brochure; p. 11A; ERTL Bumble Ball with Lights.\*

\* cited by examiner

*Primary Examiner*—Cathy Anne MacCormac

(74) *Attorney, Agent, or Firm*—Robert W Becker & Associates; Robert W Becker

(57) **CLAIM**

The ornamental design for a chew toy for animals, as shown and described.

**DESCRIPTION**

FIG. 1 is a top perspective view showing a chew toy for animals;

FIG. 2 is a front view thereof;

FIG. 3 is a rear view thereof;

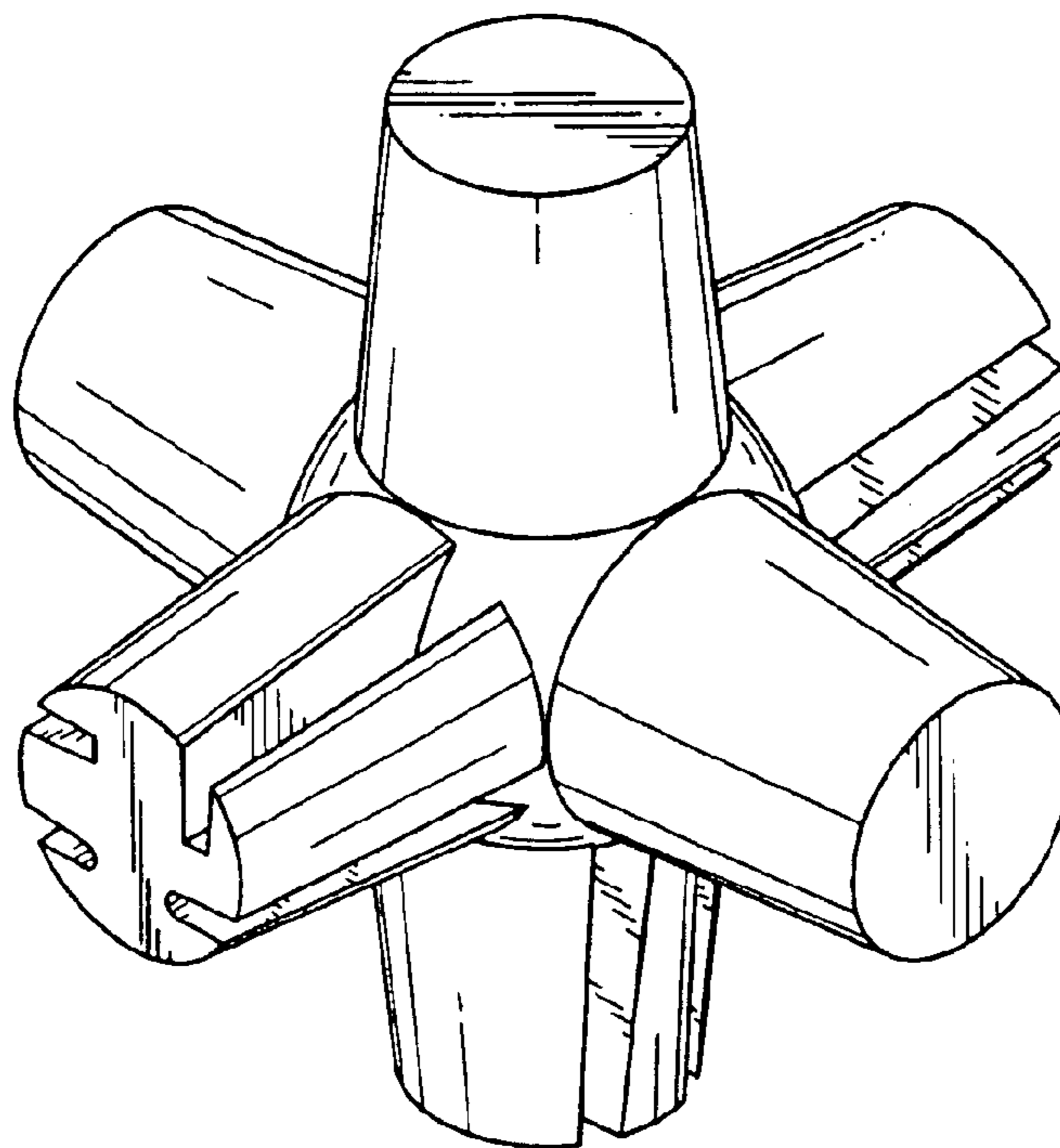
FIG. 4 is a right side view thereof;

FIG. 5 is a left side view thereof;

FIG. 6 is a top view thereof; and,

FIG. 7 is a bottom view thereof.

**1 Claim, 4 Drawing Sheets**



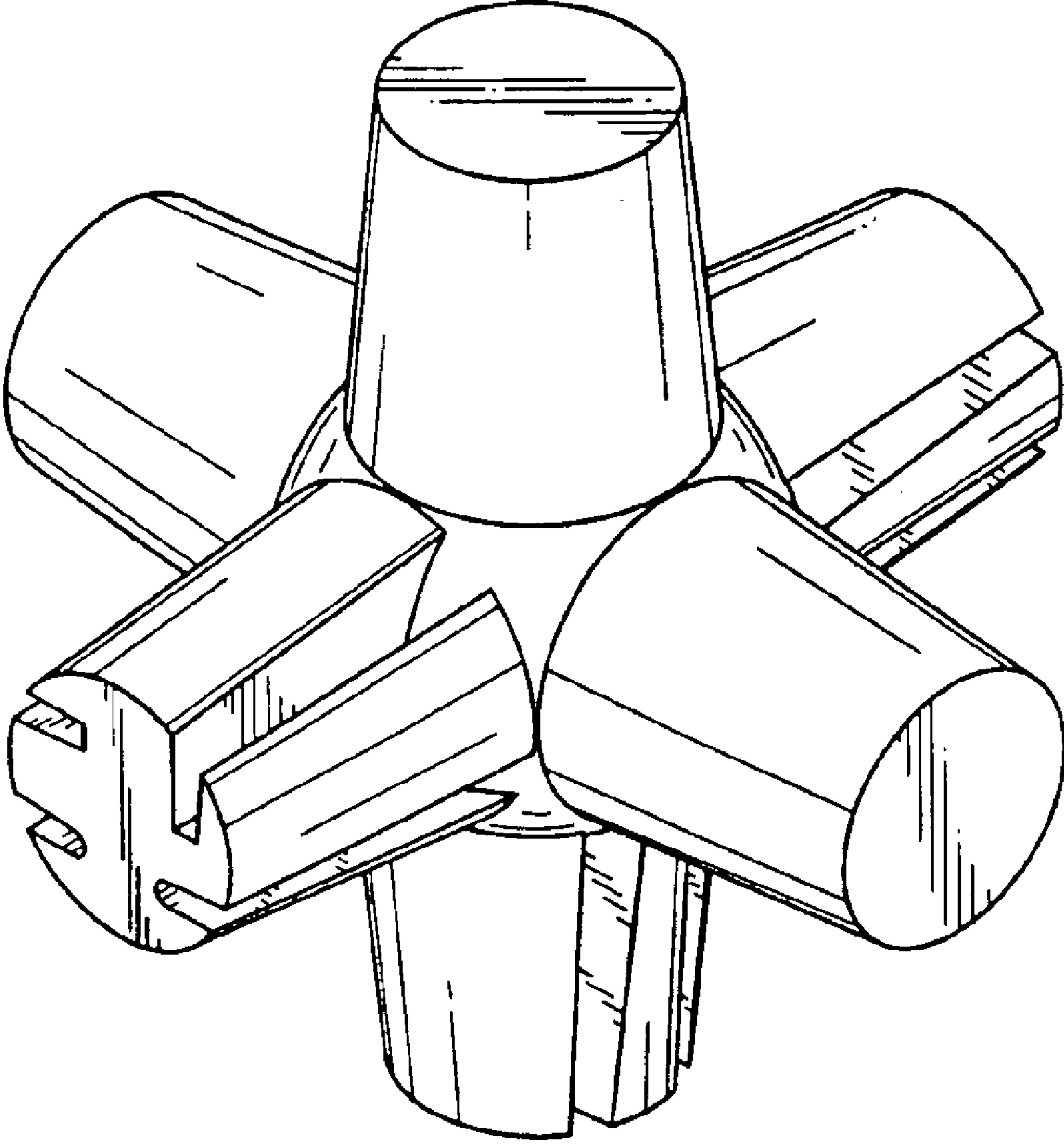


FIG.1

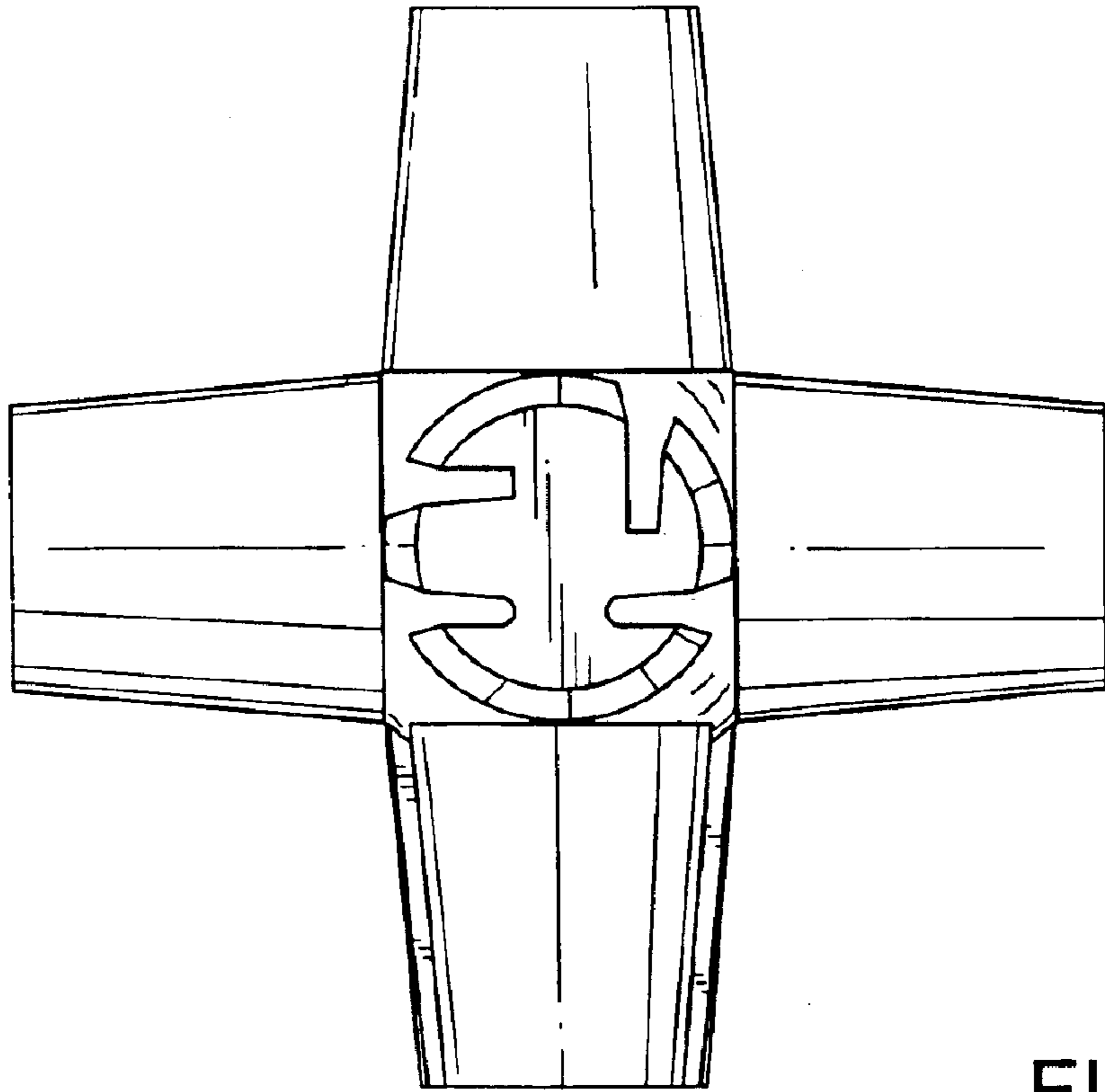


FIG. 2

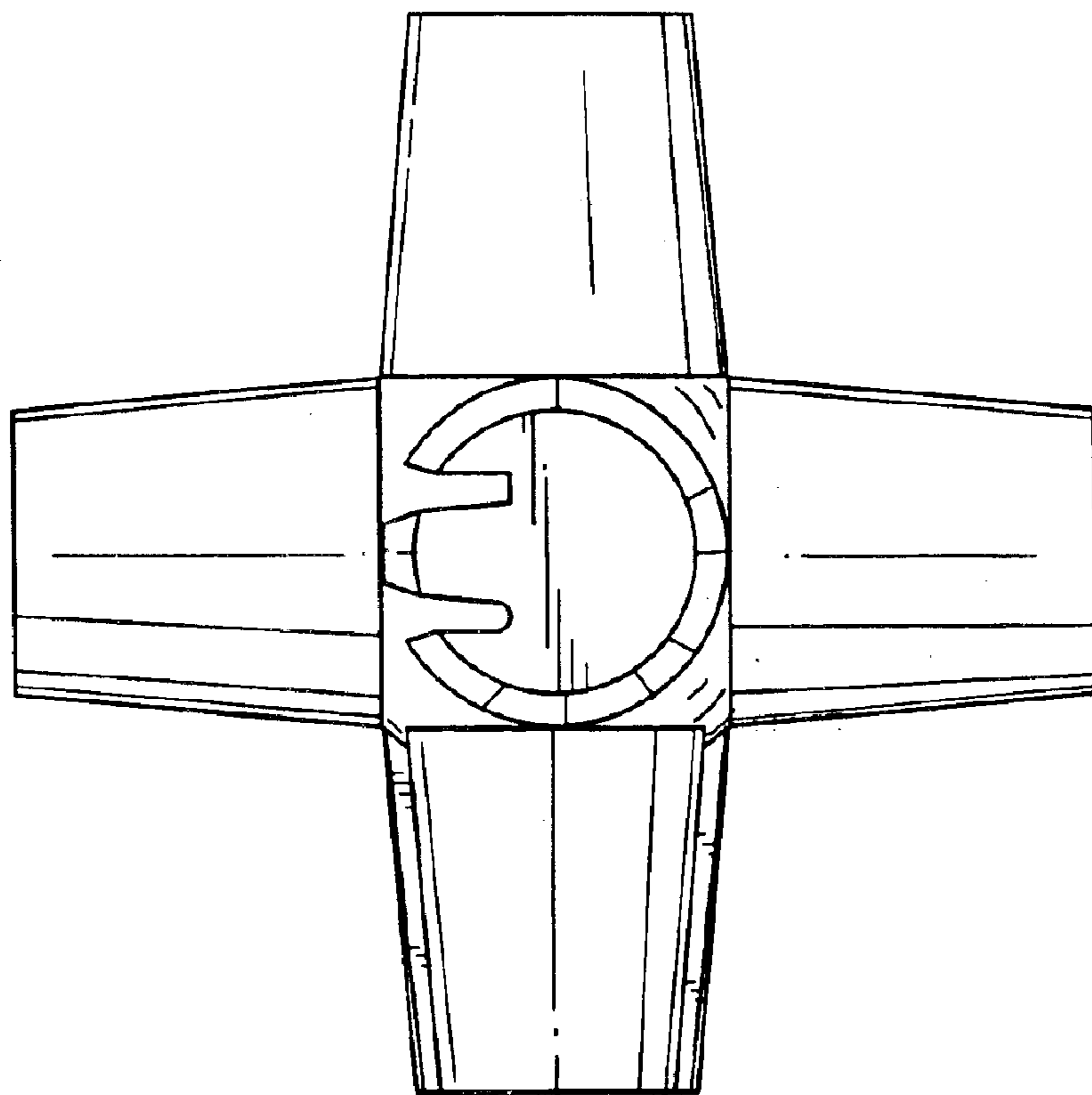


FIG. 3

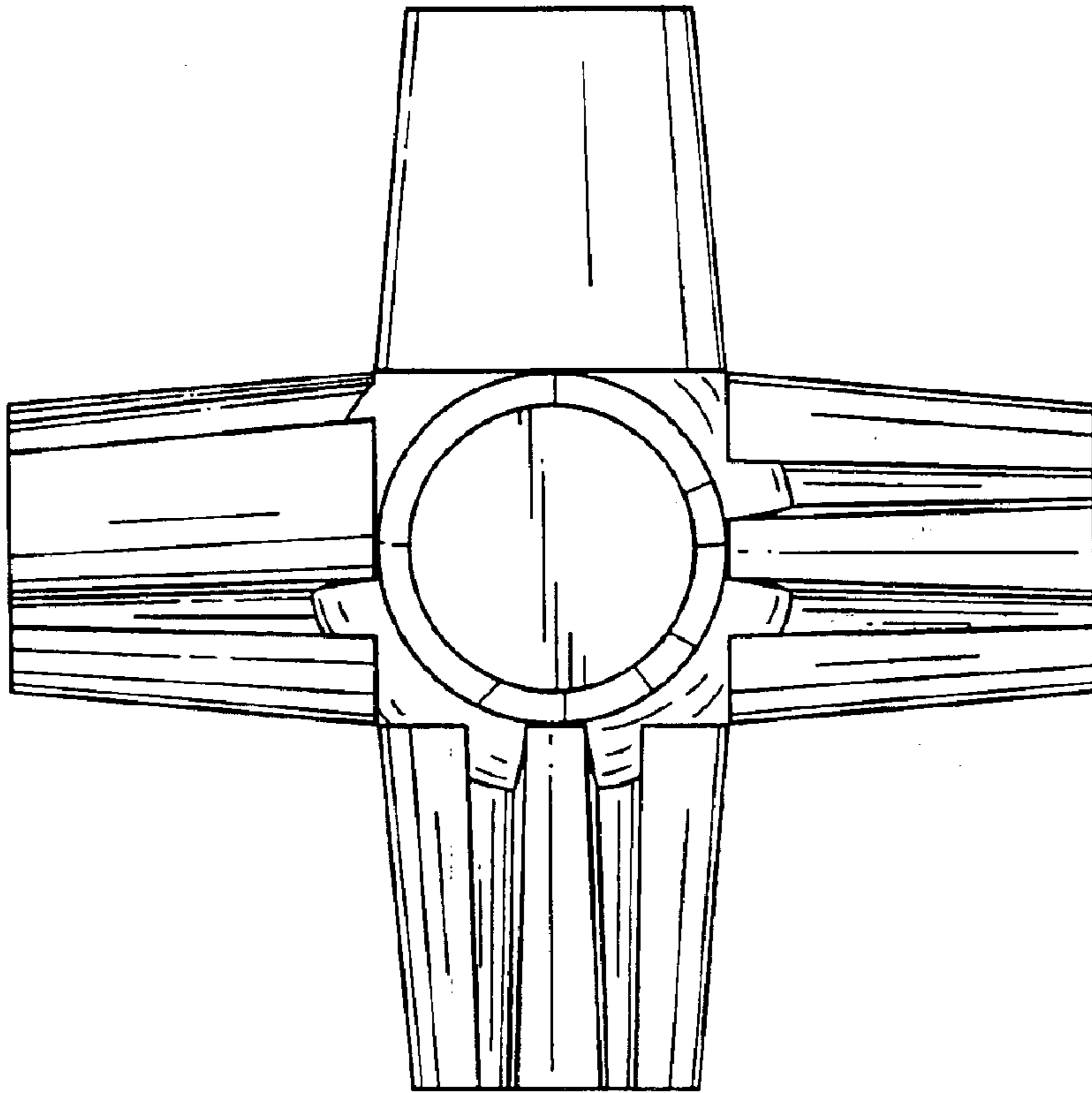


FIG.4

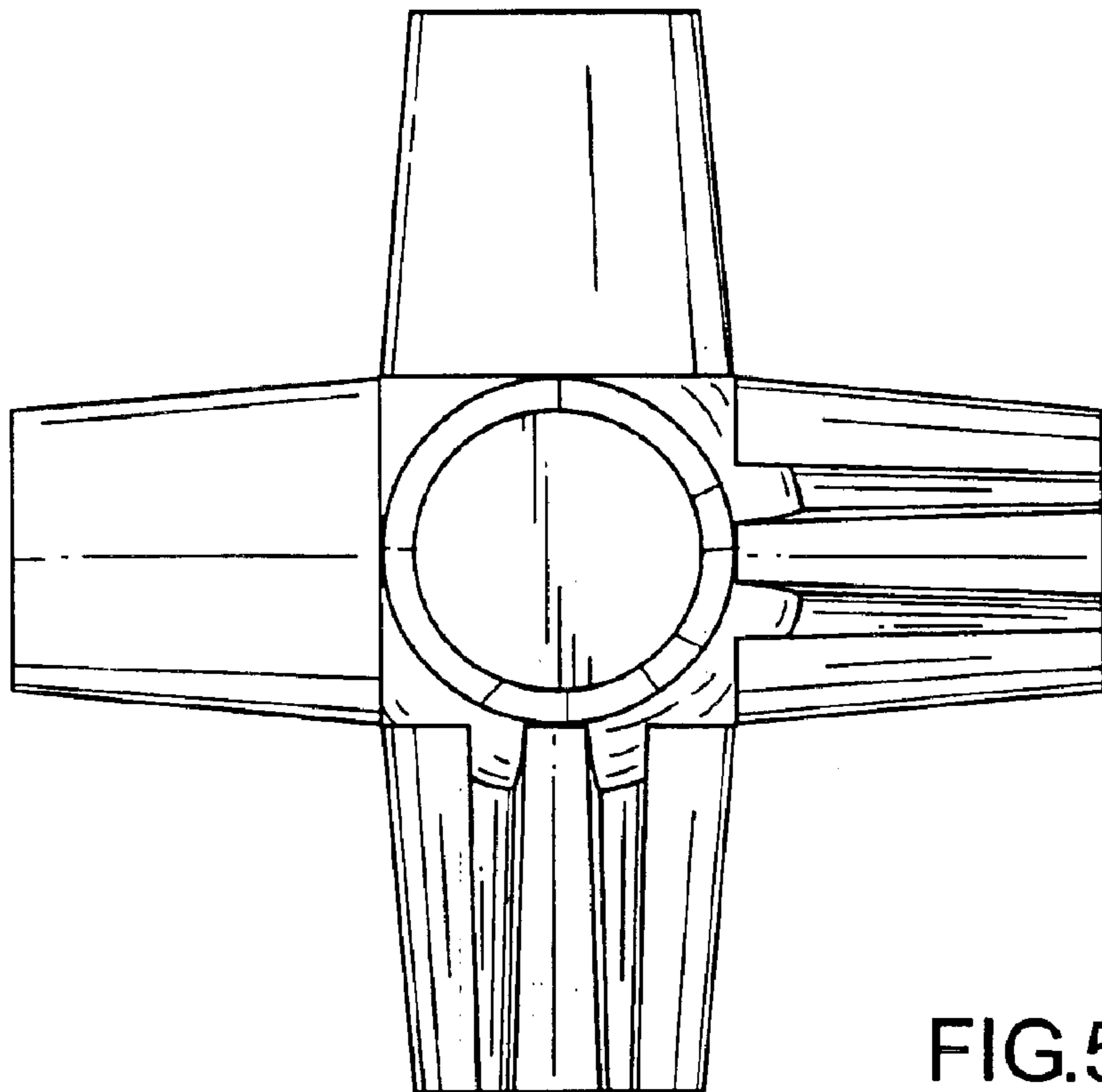


FIG.5

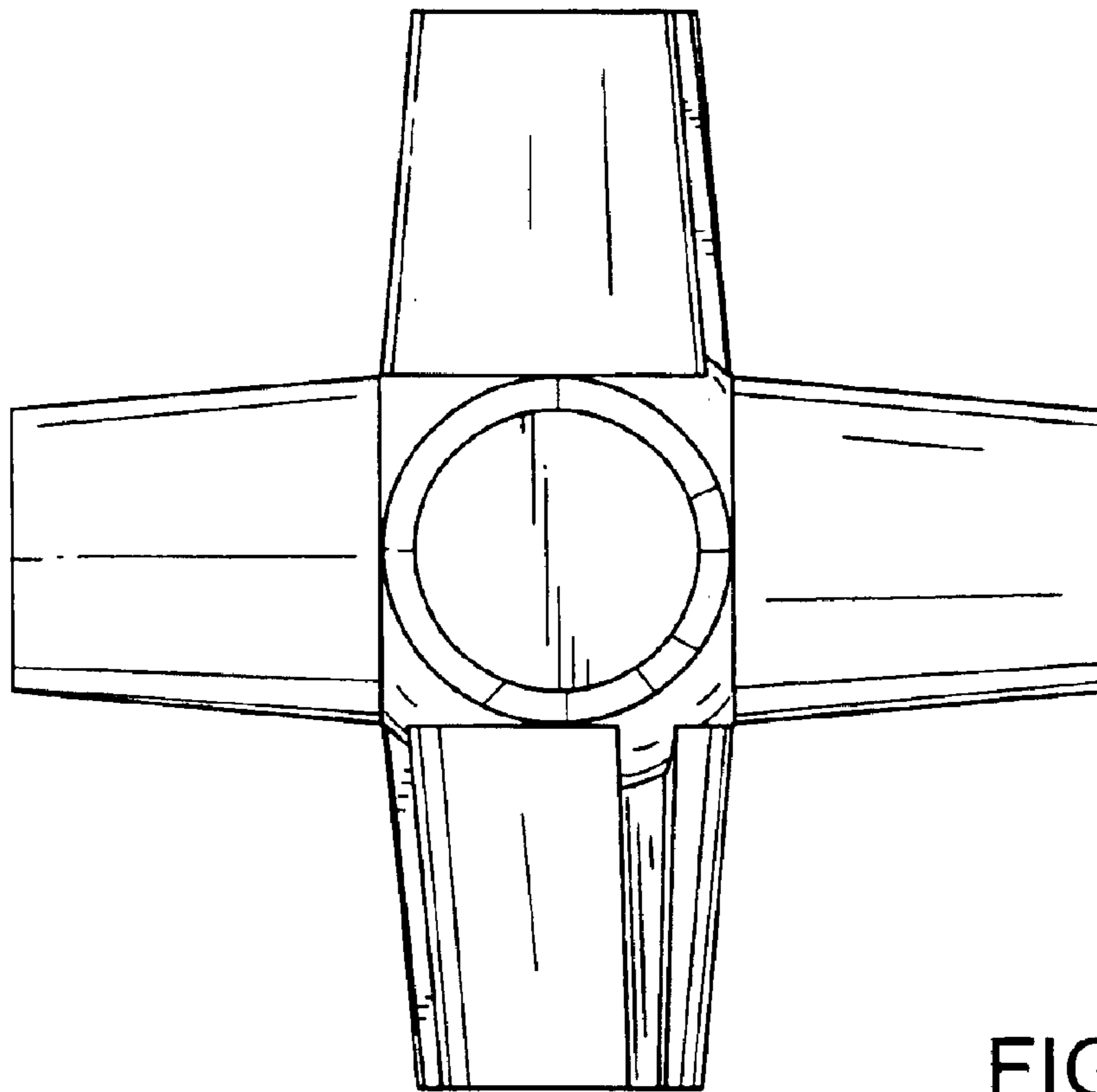


FIG. 6

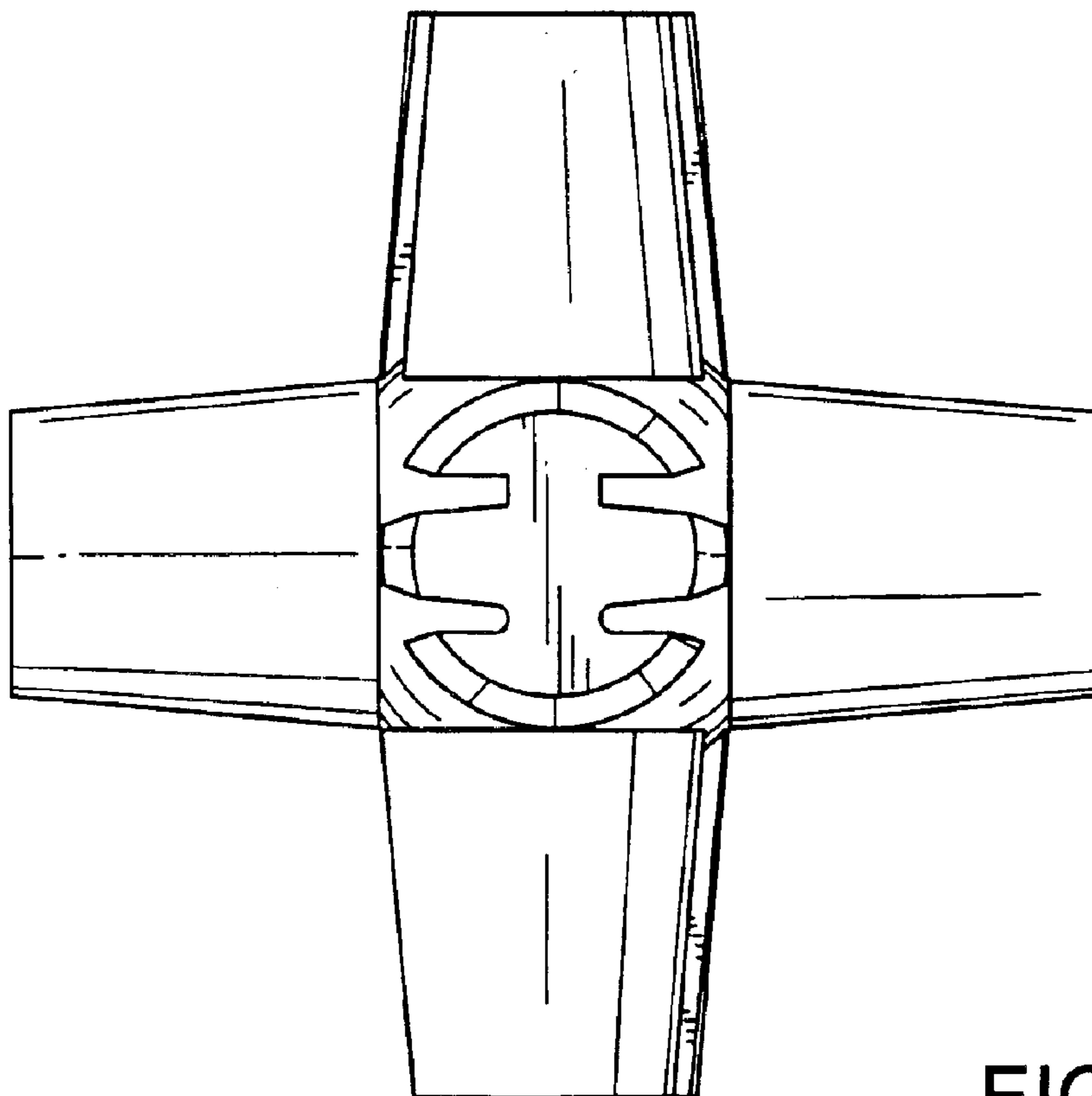


FIG. 7